

Los Angeles County Department of Public Works

HYDROLOGIC REPORT

2005 – 2006



Water Resources Division

TABLE OF CONTENTS

TABLE OF CONTENTS	(i)
APPENDICES	(ii)
ACKNOWLEDGMENTS	4
INTRODUCTION	5
LOS ANGELES COUNTY	6
FLOOD CONTROL AND WATER CONSERVATION	8
PRECIPITATION	9
RAINFALL INDICES.....	10
STANDARD RAIN GAGE STATIONS DURING WATER YEAR 2005-2006.....	11
DAILY RAINFALL SUMMARY.....	15
LOCATION MAP.....	16
EVAPORATION	17
ACTIVE STATIONS.....	18
MONTHLY SUMMARY.....	19
LOCATION MAP.....	20
RUNOFF	21
INDEX OF STREAM FLOW MEASURING STATIONS.....	22
STREAM GAGING STATION INFORMATION.....	24
DAILY DISCHARGE.....	24
STREAM GAGING STATION PEAK FLOW.....	24
LOCATION MAP.....	25
RESERVOIRS	26
YEARLY RESERVOIR OPERATION SUMMARY.....	27
FACILITIES.....	28
LOCATION MAP.....	29
EROSION CONTROL	30
LOCATION MAPS.....	31
DEBRIS BASIN - DESIGN DATA.....	32
YEARLY DEBRIS PRODUCTION SUMMARY.....	37
WATER CONSERVATION	38
CONSERVING THE WATERS.....	38
IMPORTED WATER.....	38
RECYCLED WATER.....	38
SEAWATER BARRIER PROJECTS.....	39
SEASONAL DATA AND MAPS.....	39
GROUNDWATER BASINS AND GROUNDWATER RECHARGE.....	39
SUMMARY.....	42
<i>SPREADING FACILITIES OWNED AND OPERATED BY THE DEPARTMENT</i>	<i>42</i>
<i>NON DPW FACILITIES</i>	<i>42</i>
<i>TOTAL MONTHLY WATER CONSERVED</i>	<i>42</i>
<i>IMPORTED WATER OUTLET RELEASES</i>	<i>42</i>
<i>RECLAIMED WATER</i>	<i>42</i>
<i>GROUND WATER FLUCTUATION</i>	<i>42</i>
<i>KEYWELL LOCATION MAP</i>	<i>43</i>

Appendices

DAILY RAINFALL SUMMARY.....	A
STREAM GAGING STATION INFORMATION.....	B
DAILY DISCHARGE.....	C
STREAM GAGING STATION PEAK FLOW.....	D
YEARLY RESERVOIR OPERATION SUMMARY.....	E
EROSION CONTROL - LOCATION MAP.....	F
SUMMARY OF WATER CONSERVATION	
SPREADING FACILITIES OWNED AND OPERATED BY DEPARTMENT.....	G
NON DPW FACILITIES.....	H
TOTAL MONTHLY WATER CONSERVED.....	I
IMPORTED WATER OUTLET RELEASES.....	J
RECLAIMED WATER.....	K
GROUND WATER FLUCTUATION.....	L
YEARLY DEBRIS PRODUCTION SUMMARY.....	M

Acknowledgments

This report was prepared by the Water Resources Division under the direction of Rod Kubomoto, Assistant Deputy Director. The following people contributed the data gathered for this report.

Data Collection and Processing:

OPERATIONS STAFF:

Ken Zimmer

Edward Gerlits: *Supervising*

George Manole

Bradley Palmer: *Supervising*

Irene Wong, Fred Lai

Soo Koo: *Supervising*

Archilles Dornidon, Alex Rivera, Sovan Tith

Don Wilson: *Supervising*

Jose Escajeda, Anthony Ward, Janet Lozano

HYDROLOGIC RECORDS STAFF:

Ben Willardson: *Supervising*

Rodney Brown, Marine Gaplandzhyan

INSTRUMENTATION SUPPORT

STAFF:

Araik Zargaryan

Thompson Nguyen: *Supervising*

Steve Carrillo, Luong Quang

Leonard Khoo: *Supervising*

Robert Fuentes

HYDROLOGIC SYSTEM SUPPORT

STAFF:

Arthur Gotingco: *Supervising*

Andrew Lee

Coordination:

Iraj Nasserri

Adam Walden

DISCLAIMER

The information contained on this report was valid at the time of publication. The Department of Public Works reserves the right to make changes at any time and without notice, and assumes no liability for any damages incurred directly or indirectly as a result of changes errors, omissions or discrepancies.

Introduction

This report discusses hydrologic data relative to the County of Los Angeles for the period beginning October 1, 2005, and ending September 30, 2006. Public Works has revised the format of this report to provide users with more useful data and a more efficient means of utilizing that data. The report consists of six sections.

PRECIPITATION

Lists 242 active [rainfall stations](#) for which unpublished rainfall data are on file at Public Works.

EVAPORATION

Lists 13 [evaporation station](#) locations and data for this reporting period. Unpublished evaporation data from previous years are on file at Public Works.

RUNOFF

Lists 56 active [stream gaging stations](#). The mean of the [daily flow rates](#) during the reporting period, the reporting period's peak flow rate, and historical peak flow rate for each of these stations are contained in this section. Unpublished stream flow data are on file at Public Works.

RESERVOIRS

Lists 14 [dams and reservoirs](#) for which inflow, outflow, and storage data are on file at Public Works.

EROSION CONTROL

157 [debris basins](#). Data on the debris production amounts for the reporting period are contained in this section. Unpublished debris production and inflow data are on file at Public Works.

WATER CONSERVATION

Lists 27 [groundwater recharge](#) locations. Data on the water conserved at various facilities and water injected at seawater barrier projects during the reporting period, and historical well level data for key wells are contained in this section. Unpublished water conservation data from previous years are on file at Public Works.

Unpublished information may be obtained by contacting:

**Los Angeles County Department of Public Works
Water Resources Division
P.O. Box 1460
Alhambra, CA 91802-1460**

...or telephone: (626) 458-6120

Los Angeles County

TOPOGRAPHY:

The County of Los Angeles covers an area of 4,083 square miles and measures approximately 66 miles in the east -west and 73 miles in the north - south directions.

The terrain within the County can be classified in broad terms as being 25 percent mountainous; 14 percent coastal plain; and 61 percent hills, valleys, or deserts. Relief of the terrain ranges from sea level to a maximum elevation of 10,000 feet. The coastal plain is generally of mild slope and contains relatively few depressions or natural ponding areas. The slopes of main river systems crossing the coastal plain, such as the San Gabriel River, Los Angeles River, and Ballona Creek, range from 4 to 14 feet per mile.

Topography in the mountainous area is generally rugged with deep, V-shaped canyons separated by sharp dividing ridges. Steep walled canyons with side slopes of 70 percent or more are common. The gradient of principal canyons in the San Gabriel Mountains ranges from 150 to 850 feet per mile. Mountain ranges are aligned in a general east-west direction with the dominant range being the San Gabriel Mountains. The majority of mountain ridges lie below Elevation 5,000 feet. The total area above this level is approximately 210 square miles.

GEOLOGY - SOILS:

Igneous, metamorphic, and sedimentary rock groups are all present within the County. The San Gabriel Mountain and Verdugo Hills are composed primarily of highly fractured igneous rock, with large areas of granite rock formation being exposed. Faulting and deep weathering have produced porous zones in the rock formation; however, rock masses have produced a comparatively shallow soil mantle due to the steepness of slopes which accelerates erosion of the fine material.

Other mountains and hilly reaches are composed primarily of folded and faulted sedimentary rocks, including shale, sandstone, and conglomerate. Residual soils in these areas are shallow and generally less pervious than those of the San Gabriel Mountain range.

Valley and desert soils are alluvial and vary from coarse sand and gravel near canyon mouths to silty clay, clay and sand and gravel in lower valleys and the coastal plain. The alluvial fill has accumulated by repeated deposition of sediments to depths as great as several thousand feet. This fill is quite porous in areas of relatively low clay content. Geologic structures and irregularities in the underlying bedrock divide the alluvium into several groundwater basins. Valley soils are generally well drained but there are a few areas containing perched water.

LAND USE:

The principal vegetative cover of upper mountain areas consists of various species of brush and shrubs known as chaparral. Most trees found on mountain slopes are oak, with alder, willow, and sycamore found along streambeds at lower elevations. Pine, cedar, and juniper are found in ravines at higher elevations and along high mountain summits.

The chaparral is extremely flammable, and extensive burns of the mountain vegetation frequently occur during dry, low-humidity weather accompanied by high winds. Chaparral has the ability to sprout following fire and grows rapidly to re-establish the watershed cover within a period of 5 to 10 years.

Grasses are the principal natural vegetation on the hills. Much of the hill land and nearly all of the valley land in the densely populated portion of the County south of the San Gabriel Mountains has been converted to urban and suburban use. Development of the Santa Clarita Valley and desert areas to the north of the San Gabriel Mountains is sparse at present but is proceeding rapidly.

CLIMATE:

The climate within the County varies between subtropical on the Pacific Ocean side of the San Gabriel Mountain range to arid in the Mojave Desert. Nearly all precipitation occurs during the months of December through March. Precipitation during summer months is infrequent, and rainless periods of several months are common. Snowfall at elevations above 5,000 feet is frequently experienced during the winter storms, but the snow melts rapidly except on higher peaks and the northern slopes. Snow is rarely experienced on the coastal plain.

January and July are the coldest and warmest months of the year, respectively. At the Los Angeles civic center, the 30-year average daily minimum temperature for January is 48 degrees (Fahrenheit) above zero. The average daily maximum temperature for July is 84 degrees. At Mount Wilson (Elevation 5,850 feet), the 30-year average daily minimum temperature for January is 35 degrees above zero and the average daily maximum temperature for July is 80 degrees.

HYDROMETEOROLOGIC CHARACTERISTICS:

Coastal and Mountain Areas Precipitation (rainfall) in the Los Angeles area occurs primarily in the form of winter orographic rainfall cyclones of North Pacific associated with extra tropical origin. Major storms consist of one or more frontal systems and occasionally last four days or longer. Air masses and frontal systems associated with major storms commonly extend for 500 to 1,000 miles in length and produce rainfall simultaneously throughout the County. Major storms approach Southern California from the west or northwest with southerly winds which continue until frontal passage. The mountain ranges lie directly across the path of the inflow of warm, moist air, and orographic effects greatly intensify precipitation.

The seasonal normal rainfall in Los Angeles County ranges from 27.50 inches in the San Gabriel Mountains to 7.83 inches in the desert. The annual County average for the annual rainfall for Los Angeles County is 15.65 inches. The effects of snow melt upon flood runoff is of significance in the few cases when warm spring rains from southerly storms fall on a snow pack. During major storms, temperatures throughout the County may remain above freezing. Average individual storm rainfall amounts and intensities conform to a fairly definite aerial pattern which reflects general effects of topographic differences.

Desert Areas

Summer convective rainfall is principally experienced in the upper San Gabriel Mountains and the Mojave Desert regions. In many desert areas, the most serious flooding occurs as a result of summer convective storms.

RUNOFF CHARACTERISTICS:

Mountain Areas

In mountain areas, the steep canyon slopes and channel gradients promote a rapid concentration of storm runoff. Depression storage and detention storage effects are minor in the rugged terrain. Soil moisture during a storm has a pronounced effect on runoff from the porous soils supporting a good growth of deep-rooted vegetation such as chaparral. Soil moisture deficiency is greatest at the beginning of a rainy season, having been depleted by the evapotranspiration process during the dry summer months. Precipitation during periods of soil moisture deficiency is nearly entirely absorbed by soils, and except for periods of extremely intense rainfall, significant runoff does not occur until soils are wetted to capacity. Due to high infiltration rates and porosity of mountain soils, runoff occurs primarily as subsurface flow or interflow in addition to direct runoff. Spring or base flow is essentially limited to portions of the San Gabriel Mountain range. Consequently, most streams in the County are intermittent.

Runoff from a mountain watershed recently denuded by fire exceeds that for the unburned state due to greatly increased quantities of inorganic debris present in the flow and increased direct runoff resulting from lowered infiltration rates. Debris production from a major storm has amounted to as much as 223,000 cubic yards per square mile of watershed. Boulders up to eight feet in diameter have been deposited in valley areas a considerable distance from their source.

Debris quantities equal in volume to storm runoff, representing a 100 percent bulking of runoff from a major storm, have been recorded. Where debris-laden flow traverses an alluvial fill unconfined by flood control works, flood discharges follow an unpredictable path across the debris cone formed at the canyon mouth.

Hill and Valley Areas

In hill areas, runoff concentrates rapidly from the generally steep slopes; however, runoff rates from undeveloped hill areas are normally smaller than those from mountain areas of the same size. In those hill areas which have been developed for residential use, concentration times become considerably decreased due to drainage improvement, and runoff volumes and rates have increased due to increased imperviousness. On the other hand, erosion is controlled and debris is minimized from storm flows. Debris production rates from undeveloped hill areas are normally smaller than those from mountain areas of the same size.

In highly developed valley areas, local runoff volumes have increased as the soil surface has become covered by impervious materials. Peak runoff rates for valley areas have also increased due to elimination of natural ponding areas and improved hydraulic efficiency of water carriers such as streets and storm drain systems.

Flood Control & Water Conservation

FLOODS. . .AN OLD STORY:

Floods in Los Angeles County have been recorded as far back as the days of the Mission Padres. For centuries waters have swept out of the San Gabriel Mountains causing extensive property damage and taking a great toll of lives.

Such a flood occurred in 1914 causing over \$10 million in property damage and taking many lives. As a result, the State legislature in 1915 enacted the statute creating the Los Angeles County Flood Control District. The responsibilities and authority vested in the Flood Control District were, in 1985, transferred to and are now part of the Los Angeles County Department of Public Works.

The Department, under the Flood Control Act, has two tasks. . .control the floods and conserve the water.

CONTROLLING THE WATERS:

Successful early bond issues financed construction of the 15 dams which the Department built in the San Gabriel Mountains and foothills to impound storm waters until they could be safely released. Debris basins were constructed to trap eroded materials which had caused terrible damage in the past. Flood channel improvements were undertaken to confine the waters and convey them safely through the urbanized areas to the ocean.

District engineers prepared a Comprehensive Plan in the early 1930's which would control flooding and save as much of the water as practicable when fully implemented.

Federal legislation in 1936 brought the United States Army Corps of Engineers into the local flood control picture. Since that time, the two agencies have been jointly pursuing implementation of the Comprehensive Plan. The Department also cooperates with the United States Natural Resources Conservation Service and Forest Service in erosion control.

CONSERVING THE WATERS:

In addition to its flood control program, the Department has the equally important mission of conserving as much of the storm and other waste waters as practicable. The use of water conservation facilities in or adjacent to river channels and their tributaries permits water to be percolated into groundwater aquifers or basins for later pumping and supply to consumers. These water conservation facilities are located in areas where the underlying soils are composed of porous sands and gravel formations. Some are shallow and resemble rice paddies, while others are deep basins which were once gravel pits.

The importance of this activity is apparent when it is realized that about 30 to 40 percent of the water used in the County is pumped from groundwater supplies. The growth of the County, combined with periodic droughts, seriously depleted these supplies on numerous occasions throughout the history of the County.

Other major conservation efforts by the Department include combating the serious salt water intrusion into groundwater supplies inland from the Pacific Ocean and utilizing imported and reclaimed water to help replenish groundwater supplies.

ORGANIZED TO DO THE JOB:

Day-to-day administration of Department affairs is vested in the Director of Public Works who is appointed by and responsible to the Los Angeles County Board of Supervisors. A part of the Department's activities involve the planning, design and construction of flood control and water conservation facilities, and the operation and maintenance of dams, debris basins, spreading grounds, channels, and storm drains.

P R E C I P I T A T I O N

Public Works operates and maintains a network of rain gages to collect rainfall (precipitation) data for the purposes of in-house engineering and design of flood control and water conservation facilities.

RAINFALL AMOUNTS:

Although Public Works operates and maintains 242 rain gages, including those which record amounts for durations ranging from 5 minutes to 24 hours, only [daily](#) and [annual](#) amounts for the report period are listed herein. Additional data (e.g., intensities) can be obtained by contacting the [custodian](#) of hydrologic records.

ALERT SYSTEM^a

Automated Local Evaluation in Real Time:

Public Works operates and maintains a state-of-the-art ALERT computer system to monitor meteorological conditions in the County and Southern California in real time, i.e., as they occur. The system includes a network of field sensors that monitor and receive precipitation amounts including rainfall data from the Corps of Engineers' Los Angeles Telemetry System.

COOPERATION:

The cooperation of observers in furnishing rainfall data to Public Works as a public service is appreciated. The effort of the many agencies and individuals who have so freely cooperated with us in the collection of this data have resulted in the large number of complete records for the period covered by this report.

Data from 22 stations of Public Works' records are reported and published by the National Oceanic and Atmospheric Administration (NOAA).

CUSTODIAN:

Unpublished information may be obtained by contacting:

County of Los Angeles
Department of Public Works
Water Resources Division
P.O. Box 1460
Alhambra, CA 91802-1460

...or telephone: (626) 458-6120

P R E C I P I T A T I O N

RAINFALL INDICES

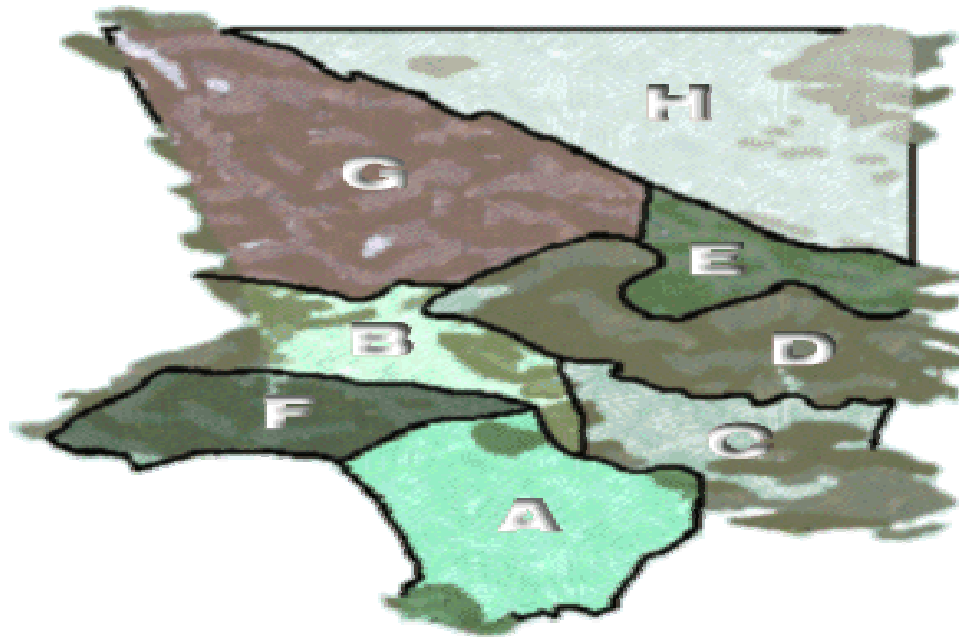
USING SELECTED STATIONS
FOR THE PERIOD OCTOBER 1, 2005 THROUGH SEPTEMBER 30, 2006 ***

Area	Percent of Area	Seasonal Normal (inches)	Total Precipitation	Percent of Seasonal Normal
A. Coastal Plain	14.1%	13.71	9.36	68%
B. San Fernando Valley	7.9%	17.62	16.59	94%
C. San Gabriel Valley	7.5%	17.64	14.27	81%
D. San Gabriel Mountains	13.4%	27.50	27.38	100%
E. Little Rock, Big Rock	4.5%	18.61	16.57	89%
F. Santa Monica Mountains	5.7%	19.96	18.82	94%
G. Santa Clara	18.9%	16.64	16.08	97%
H. Desert	28.0%	7.83	9.37	120%
County*	100.0%	15.65	14.85	95%
Los Angeles (Station No. 716)**		15.51	10.39	67%
Cogswell Dam (Station No. 334-B)**		32.88	21.20	64%

* - Seasonal Normal and Total Precipitation to Date sections of this line are derived from Area Weighted Average.

** - Automatic gage.

*** - Data Revised March 2011



PRECIPITATION

Station No.	Station Name	Gage Type	Thomas Guide Page	North Latitude	West Longitude	Gage Elev. (ft)	Season Total (in)	Notes
5B	Calabasas	S	100 F3	34-09-24	118-38-14	924	17.11	
11D	Upper Franklin Canyon Reservoir	SP	592 F2	34-07-10	118-24-35	867	19.33	
13C	North Hollywood-Lakeside	S	563 B5	34-08-46	118-21-13	550	16.41	
20B	Girard Reservoir	SP	559 J4	34-09-07	118-36-36	986	19.38	
21B	Woodland Hills	S	560 A2	34-10-14	118-35-33	875	15.15	
23B	Chatsworth Reservoir	SP	529 G1	34-13-44	118-37-18	900	14.59	
25C	Northridge-L.A.D.W.P.	SP	530 H1	34-13-52	118-32-28	810	14.32	
33A	Pacoima Dam	S	4642 F7	34-19-48	118-23-59	1500	17.52	
42C	Redondo Beach-City Hall	SP	762 G5	33-50-43	118-23-20	70	8.86	
43D	Palos Verdes Estates	S	792 H4	33-47-58	118-23-29	216	10.96	E
46D	Big Tujunga Dam	S	4725 C6	34-17-40	118-11-14	2315	25.64	
63C	Santa Anita Dam	S	537 E2	34-11-03	118-01-12	1400	28.53	
82F	Table Mountain	S	4561 G6	34-22-56	117-40-39	7420	9.77	
89B	San Dimas Dam	S	570 F2	34-09-10	117-46-17	1350	22.90	E
93C	Claremont-Police Station	S	601 C3	34-05-45	117-43-18	1170	16.23	
95	San Dimas-Fire Warden	S	600 B3	34-06-26	117-48-19	955	15.64	E
96C	Puddingstone Dam	S	600 B4	34-05-31	117-48-24	1030	16.25	
106F	Whittier City Yard	S	677 B5	33-58-57	118-02-50	300	10.14	
107D	Downey-Fire Department	S	705 J7	33-55-48	118-08-47	110	11.36	E
108D	El Monte Fire Station	S	597 C7	34-04-30	118-02-30	275	12.42	E
109D	West Arcadia	S	566 G7	34-07-42	118-04-22	547	18.96	E
120	Vincent Patrol Station	S	4375 H6	34-29-17	118-08-27	3135	6.74	
125B	San Francisquito Canyon Ph#1 - Saugus	SP	X	34-35-25	118-27-15	2105	19.63	
134C	Puddingstone Diversion	S	570 F5	34-07-52	117-46-55	1160	18.37	
144	Sierra Madre Dam	S	537 B4	34-10-34	118-02-32	1100	24.85	
167C	Arcadia Pumping Plant #1	SP	567 D2	34-09-31	118-02-02	611	22.71	
169	Sierra Madre Pumping Plant	SP	567 B2	34-09-47	118-02-21	700	24.76	E
170F	Potrero Heights	S	636 H5	34-02-32	118-04-44	285	14.55	
174B	Glendora	S	570 A6	34-07-43	117-49-08	930	17.83	E
175B	La Canada Irrigation District	S	535 A1	34-13-39	118-12-40	2020	25.66	
176	Altadena-Rubio Canyon	SP	536 A1	34-10-55	118-08-15	1125	20.98	
196C	La Verne-Fire Station	S	600 G2	34-06-06	117-46-20	1050	15.12	
216C	Glendale - Jackson	S	564 F5	34-09-54	118-15-01	615	17.62	
223C	Big Dalton Dam	S	570 B1	34-10-06	117-48-36	1587	27.98	

PRECIPITATION

Station No.	Station Name	Gage Type	Thomas Guide Page	North Latitude	West Longitude	Gage Elev. (ft)	Season Total (in)	Notes
225	Montana Ranch-Lakewood	S	766 C4	33-50-35	118-07-09	47	9.59	
227D	San Gabriel-Bruington-Orton	S	596 D2	34-06-18	118-06-32	472	18.46	
228C	Beverly Hills City Hall	S	632 G1	34-06-00	118-23-40	245	14.79	
235C	Henniger Flats	S	536 F5	34-11-38	118-05-17	2550	26.64	
237C	Stone Canyon Reservoir	SP	591 J3	34-06-21	118-27-13	865	17.17	
238	Hollywood Dam	SP	593 F2	34-07-04	118-19-55	750	16.87	
251C	La Crescenta	S	534 F1	34-13-20	118-14-40	1440	22.61	A
252C	Castaic Lake	SP	4369	34-29-53	118-36-53	1150	16.02	
255F	Mount San Antonio College-Spadra	S	639 J4	34-02-41	117-50-19	720	13.23	E
269D	Diamond Bar Fire Station	SP	680 B2	33-59-50	117-48-55	870	1.93	I
287B	Glendora-City Hall	S	569 E5	34-08-09	117-51-52	785	23.22	
292D	Encino Reservoir	SP	561 B4	34-08-56	118-30-57	1075	17.97	
293B	Los Angeles Reservoir	SP	481 E5	34-17-18	118-28-54	1150	16.62	
294B	Sierra Madre-Mira Monte Pumping Plant	SP	567 A1	34-10-11	118-02-51	985	26.57	E
299F	Little Rock - Schwab	S	4287 H7	34-32-12	117-58-43	2800	5.89	
306H	Zuma Beach	S	667 B1	34-01-15	118-49-42	15	16.19	
322	Munz Valley Ranch	S	4013 A4	34-42-50	118-21-15	2600	11.42	
334B	Cogswell Dam	S	XI	34-14-37	117-57-35	2300	30.23	
336	Silver Lake Reservoir	SP	537 A1	34-06-08	118-15-54	445	15.31	
356C	Spadra-Lanternman Hospital	S	640 B4	34-02-31	117-48-35	690	13.61	
372	San Francisquito Power House No.2	SP	X	34-32-02	118-31-27	1580	18.57	
373C	Briggs Terrace	S	504 H6	34-14-17	118-13-27	2200	26.87	
388D	Paramount-County Fire Department	S	735 G4	33-53-50	118-10-02	80	13.50	E
405B	Soledad Canyon	S	4463 J6	34-26-23	118-17-33	2150	10.88	
406C	West Azusa	S	598 H2	34-06-53	117-54-56	505	16.94	
409B	Pyramid Reservoir	SP	X	34-40-34	118-46-47	2505	16.01	
425B	San Gabriel Dam	S	509 E3	34-12-19	117-51-38	1481	28.18	
436C	Hansen Dam	SP	502 G3	34-16-08	118-23-59	1110	16.39	
447C	Carbon Canyon	S	629 F6	34-02-18	118-38-56	50		NA
455B	Lancaster-State Hwy Maintenance Sta.	S	4105 J1	34-40-57	118-08-02	2395	7.13	
465C	Sepulveda Dam	SP	561 G2	34-10-06	118-28-11	683	16.08	E
482	Los Angeles-U.S.C.	SP	674 A1	34-01-14	118-17-15	208	13.12	
488B	Kagel Canyon Patrol Station	S	482 D5	34-17-45	118-22-30	1450	16.04	
497	Claremont-Slaughter	S	571 B7	34-07-35	117-43-55	1350	16.46	

PRECIPITATION

Station No.	Station Name	Gage Type	Thomas Guide Page	North Latitude	West Longitude	Gage Elev. (ft)	Season Total (in)	Notes
542	Fairmont	SP	X	34-42-15	118-25-40	3050	17.66	
564C	Llano	S	4379 F5	34-29-13	117-50-02	3390	5.70	
591B	Santa Anita Reservoir	SP	536 E7	34-11-08	118-06-16	1205	22.71	
598D	Neenach-Check 43-California D.W.R.	SP	X	34-47-40	118-37-15	2965	8.49	
610B	Pasadena-City Hall	DA	565 J4	34-08-54	118-08-36	864	17.56	
612B	Pasadena-Chlorine Plant	SP	535 F3	34-12-04	118-09-49	1160	22.37	
613C	Pasadena Fire Station	SP	566 A6	34-07-15	118-08-05	779	23.35	
627	San Gabriel Canyon-Power House	SP	568 J3	34-09-20	117-54-28	744	22.80	
634C	Santa Monica	S	671 E2	34-00-43	118-29-27	94	12.02	
680B	Westwood (U.C.L.A.)	SP	632 B1	34-04-10	118-26-30	430	16.70	
683B	Sunset Ridge	S	535 F5	34-12-53	118-08-47	2110	21.95	
695B	Tujunga Canyon-Vogel Flat	S	X	34-17-12	118-13-32	1850	3.00	I
716	Los Angeles-Ducommun St.	SP	634 H4	34-03-09	118-14-13	306	13.45	
726C	Angeles Crest Guard Station	S	X	34-14-01	118-11-04	2300	32.49	E
742C	San Gabriel Fire Department	SP	596 F4	34-06-11	118-05-56	445	16.24	E
749B	Burbank Valley Pump Plant	SP	533 C6	34-11-11	118-20-54	655	15.74	
750B	Palmdale-F.A.A. Airport	S	4196 E5	34-37-20	118-05-00	2528	5.64	
794	Lower Franklin Reservoir	SP	592 F6	34-05-43	118-24-40	585	15.22	
795	Pasadena-Jourdan	SP	566 F5	34-08-52	118-05-14	705	19.19	
797	De Soto Reservoir	SP	500 B2	34-16-17	118-35-12	1127	15.61	
801B	Magic Mountain	SP	X	34-23-18	118-19-27	4720	2.90	I
802C	Eagle Rock Reservoir	SP	565 C5	34-08-47	118-11-20	970	17.10	
807	Ascot Reservoir	SP	595 C6	34-04-46	118-11-14	620	14.98	
1005B	Mint Canyon Fire Station	S	X	34-30-35	118-21-40	2300		NA
1006	San Pedro-City Reservoir	SP	824 B4	33-44-37	118-17-47	150	9.71	
1011B	Palos Verdes Fire Station	S	823 D3	33-45-25	118-21-11	1275		NA
1037	Arcadia-Arboretum	S	567 A5	34-08-48	118-02-59	565	17.68	
1058B	Palmdale	SP	4196	34-35-17	118-05-31	2595	6.35	
1070	Manhattan Beach	S	732 J	33-53-00	118-23-19	182	8.56	
1071B	Descanso Gardens	S	535 B	34-12-07	118-12-46	1325	22.50	
1072B	Little Tujunga Ranger Station	SP	4723	34-17-37	118-21-38	1275	5.90	I
1081B	Glendale-Gregg	SP	534 F	34-11-45	118-14-30	1350	20.85	
1087	Green-Verdugo Pumping Plant	SP	503 D	34-15-25	118-20-11	1340	16.25	
1088B	La Habra Heights-Mutual Water Co.	S	708 D	33-56-55	117-57-51	445	12.74	

PRECIPITATION

Station No.	Station Name	Gage Type	Thomas Guide Page	North Latitude	West Longitude	Gage Elev. (ft)	Season Total (in)	Notes
1114B	Whittier Narrows Dam	SP	636 H	34-01-29	118-05-02	239	13.28	
1115	San Antonio Dam	SP	571 J	34-09-24	117-40-20	2120	24.40	
1126A	Los Angeles-East Valley	SP	532 E	34-12-30	118-24-35	780	14.60	
1129B	Nicholas Canyon	S	626 A	34-02-52	118-54-57	340		NA
1158	Torrance Municipal Airport	SP	793 E	33-47-59	118-20-08	102	10.56	
1166B	Mile High Ranch	S	XI	34-24-40	117-46-15	5280	14.18	E
1191	Bear Divide	S	128 F6	34-21-35	118-23-37	2700	19.09	
1194	Santa Ynez Reservoir	SP	630 E	34-04-23	118-33-59	735	16.49	
1212	Lancaster FSS/FAA	SP	4014	34-44-00	118-13-00	2340	5.53	
1216	Rancho Palos Verdes	S	822 H	33-45-10	118-23-32	780	7.90	
1217	Los Angeles Country Club	S	632 D	34-04-10	118-25-17	380	17.52	
1222	Northridge-Garland	S	501 C	34-14-17	118-30-59	911	14.28	
1223	Woodland Hills-Sherman	S	559 E	34-10-06	118-38-57	1035	16.51	A
1240	Pearblossom-Calif.D.W.R. Booster Sta.	SP	4378	34-30-32	117-55-15	3050	5.03	
1251	Palos Verdes-Whites Point	SP	853 H	33-42-50	118-19-02	100	7.94	
1252	Palos Verdes Landfill	SP	793 D	33-45-40	118-20-03	400	10.38	
1253	Carson-County Sanitation	SP	794 C	33-48-07	118-16-58	40	9.25	E
1254	Long Beach Reclamation Plant	SP	796 G	33-48-11	118-05-20	20	9.28	
1255	Los Coyotes Reclamation Plant	SP	736 E	33-53-05	118-06-24	70	9.05	
1256	South Gate Transfer Station	SP	705 G	33-56-40	118-09-56	100	11.05	
1257	San Jose Creek Reclamation Plant	SP	637 F	34-01-55	118-01-16	275	14.01	
1258	Puente Hills Landfill	SP	637 D	34-01-35	118-01-49	300	15.24	
1259	Whittier Narrows Reclamation Plant	SP	636 J	34-03-59	118-03-54	225	13.05	
1260	Spadra Landfill	SP	640 A	34-02-36	117-49-50	700	13.90	
1261	La Canada Reclamation Plant	SP	535 D	34-13-00	118-11-14	1800	23.35	
1262	Saugus Reclamation Plant	SP	4550	34-24-48	118-32-23	1150	14.38	
1263	Valencia Reclamation Plant	SP	4549	34-25-55	118-37-13	1000	13.39	
1264	Calabasas Landfill	SP	558 G	34-08-25	118-42-35	800	17.28	
1265	Scholl Canyon Landfill	SP	565 C	34-08-38	118-11-07	1000	18.12	
1266	Mission Canyon Landfill	SP	591 G	34-08-40	118-28-45	1150	16.45	
1267	Lancaster Reclamation Plant	SP	3925	34-46-38	118-09-11	2302	5.75	E
1268	Palmdale Reclamation Plant	SP	4196	34-35-30	118-05-10	2565	5.44	
1271	Pomona Waste Reclamation Plant	SP	640 E	34-03-18	117-47-34	786	14.61	
1274	Whittier - Valna Drive	S	707 F	33-57-39	118-01-10	255	12.17	

P R E C I P I T A T I O N

DAILY RAINFALL SUMMARY

[See Appendix A](#)

EVAPORATION

EVAPORATION

Monthly and seasonal data for 13 active evaporation stations were reported to the Department during the reporting period. Daily records of active and inactive Department stations, as well as some stations of other agencies, are available in the Department's files. This data can be obtained by contacting the [custodian](#) of hydrologic records.

COOPERATION:

The Department receives evaporation data from The Metropolitan Water District, Palmdale Water District, California Department of Water Resources, and Descanso Gardens.

LENGTH OF RECORD:

The Los Angeles County Flood Control District (now administered by the Department) installed its first land pan in March 1929 at Santa Anita Dam. The Department has 30 evaporation stations which have records of 15 seasons or more in the Department's files.

CUSTODIAN:

Unpublished information may be obtained by contacting:

County of Los Angeles
Department of Public Works
Water Resources Division
P.O. Box 1460
Alhambra, CA 91802-1460

...or telephone: (626) 458-6120

EVAPORATION

ACTIVE STATIONS

NO.	STATION NAME	EQUIPMENT	ELEV OF PAN	THOMAS GUIDE	NORTH LAT	WEST LONG
33 A	Pacoima Dam	24X36 S	1500 ft.	482 F1	34-19-48	118-23-59
46 D	Big Tujunga Dam	24X36 S	2315 ft.	xi	34-17-40	118-11-14
63 C	Santa Anita Dam	24X36 S	1400 ft.	710 B2	34-11-03	118-01-12
89 B	San Dimas Dam	24X36 S	1350 ft.	470 F2	34-09-10	117-46-17
96 C	Puddingstone Dam	24X36 S	1030 ft.	600 A4	34-05-31	117-48-24
223 B	Big Dalton Dam	24X36 S	1587 ft.	570 B4	34-10-06	117-48-36
252 C	Castaic Reservoir	48X10 S	1150 ft.	4369 H6	34-29-53	118-36-53
334 B	Cogswell Dam	24X36 S	2300 ft.	ix	34-14-37	117-57-35
390 B	Morris Dam	72X36 US	1210 ft.	ix	34-10-53	117-52-43
409 B	Pyramid Reservoir	48X10 S	2505 ft.	593 E1	34-40-34	118-46-47
425 B	San Gabriel Dam	24X36 S	1481 ft.	ix	34-12-19	117-51-38
1058 B	Palmdale	24X36 S	2595 ft.	4196 E6	34-35-17	118-05-31
1071 B	Descanso Gardens	24X36 S	1325 ft.	535 B4	34-12-07	118-12-46

FOOTNOTES

24X36 S Screened land pan, 24 inches in diameter by 36 inches deep.

48X10 S Screened land pan, 48 inches in diameter by 10 inches deep.

72X36 US Unscreened land pan, 72 inches in diameter by 36 inches deep

EVAPORATION

MONTHLY SUMMARY

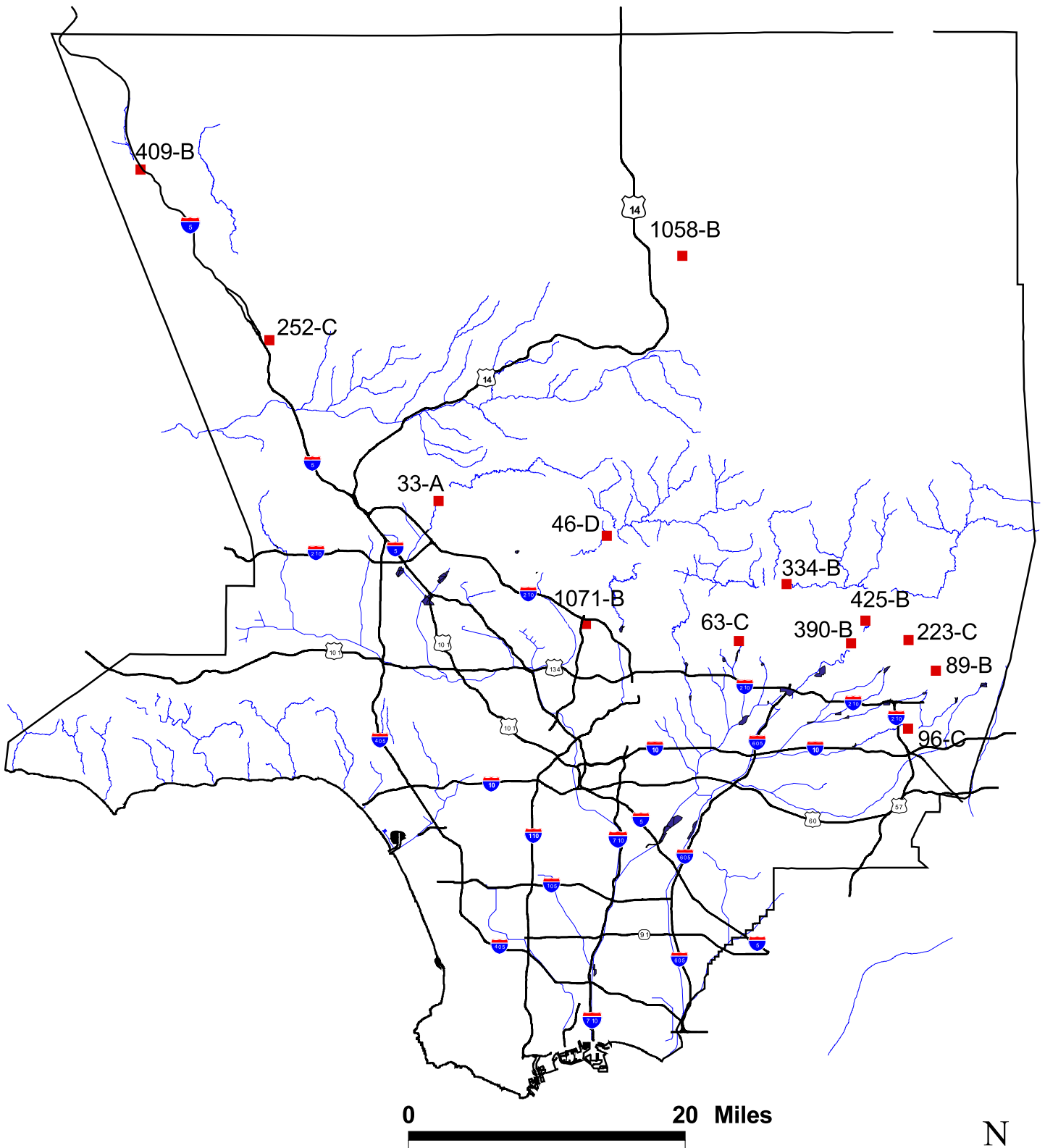
ID	Station Name	Oct	Nov	Dec	Jan	Feb	Mar	Apr	May	Jun	Jul	Aug	Sep	Total
33-A	Pacoima Dam	8.13	8.72	5.94	6.53	7.75	3.78	3.85	5.93	9.24	12.13	10.20	11.38	93.55
46-D	Big Tujunga Dam	5.99	5.81	2.94	5.25	6.44	3.02	[3.12]	8.75	9.61	12.12	[10.73]	10.59	[84.34]
63-C	Santa Anita Dam	4.08	4.09	2.89	2.70	3.37	2.44	1.84	2.84	4.88	6.44	6.15	6.17	47.85
89-B	San Dimas Dam	3.98	2.46	1.72	1.66	2.43	1.65	2.52	4.70	7.20	8.98	8.05	6.43	51.75
96-C	Puddingstone Dam	4.10	2.85	1.71	2.25	2.74	2.29	3.06	5.06	7.22	9.06	7.99	6.99	55.28
223-C	Big Dalton Dam	4.20	3.12	1.89	2.18	2.69	2.06	2.60	4.38	6.07	8.62	7.47	6.74	51.99
252-C*	Castaic Dam	[6.50]	4.61	3.13	3.74	4.87	4.96	5.16	8.49	10.16	13.91	10.90	10.21	[86.64]
334-B	Cogswell Dam	3.50	2.14	1.21	1.14	1.68	1.36	2.02	4.53	6.12	8.21	7.56	6.07	45.52
390-B	Morris Dam	5.94	5.29	3.70	2.84	4.44	3.57	4.32	7.02	10.01	12.56	11.07	10.12	80.88
409-B*	Pyramid Reservoir	[6.70]	5.67	3.23	4.10	4.57	4.85	6.21	11.40	13.42	14.98	12.90	10.33	[98.36]
425-B	San Gabriel Dam	5.77	4.49	3.16	3.61	4.21	3.12	3.67	5.55	8.09	10.27	9.43	8.88	70.23
1058-B	Palmdale	5.32	3.58	2.27	2.52	3.30	3.97	5.59	9.33	10.69	12.40	12.05	9.40	80.39
1071-B	Descanso Gardens	3.40	1.49	1.10	1.95	[1.69]	[2.46]	2.22	4.82	6.65	7.51	6.67	5.73	[45.67]

Units are in inches.

[] Missing Data.

*Department of Water Resources

Evaporation Locations



LEGEND

■ Evaporation Station



R U N O F F

RUNOFF

Public Works operates 56 stream gaging stations. Daily mean flow data and maximum instantaneous flow for each station were collected for these [stations](#) during the reporting period. Additional data can be obtained by contacting the [custodian](#) of hydrologic records.

ALERT SYSTEM

Automated Local Evaluation in Real Time

Public Works operates and maintains the ALERT computer system to monitor meteorological conditions at 24 river stage locations in the County.

Public Works' ALERT System also receives rainfall, streamflow, and reservoir data from the Corps of Engineers' Los Angeles Telemetry System.

COOPERATION:

Public Works receives or has access to streamflow data from other agencies. Data from 5 of Public Works' stations are published in the United States Geological Survey's annual water supply papers.

Agencies with which Public Works exchanges data are:

- U.S. Geological Survey, Water Resource Division
- U.S. Army Corps of Engineers
- State Department of Water Resources
- The Metropolitan Water District of Southern California
- San Gabriel River Water Committee

USGS MONITORING

OF STREAM GAGING STATIONS

During Water Year 2001-02, Public Works contracted with the U.S. Geological Survey (USGS) to maintain, monitor, and collect data from several stream gaging stations in the Northern part of the County of Los Angeles. The data they have collected is summarized in the discharge reports included in this section. The following lists the stream gaging stations monitored by the USGS:

USGS ID	LAC ID	START DATE
10263630	F394-R	08/22/02
10263665	F122-R	11/05/01
10264000	L1-R	01/25/02
10264682	F395-R	10/17/01
10264100	F125-R	01/15/02
11107860	F377-R	01/05/02
11107770	F328-R	11/05/01
11108000	F92-R	02/15/02

CUSTODIAN:

Unpublished information may be obtained by contacting:

**County of Los Angeles
Department of Public Works
Water Resources Division
P.O. Box 1460
Alhambra, CA 91802-1460**

...or telephone: (626) 458-6120

R U N O F F

INDEX OF STREAM FLOW MEASURING STATIONS

Station No.	Station Name	Thomas Guide Page	Regulated	Drainage Area Sq.Mile	Length Of Record
F81D-R	ALHAMBRA WASH above Klingerman Street	636 G3	No	15.2	9/2/1936
F317-R	ARCADIA WASH below Grand Avenue	597 C4	Yes	8.5	12/12/1955
F277-R	ARROYO SECO below Devils Gate Dam	535 E7	Yes	32.5	11/30/1942
F220B-R	AZUSA CONDUIT (sandbox 10ft weir)	509/539	Yes	0	10/23/1963
F250-R	AZUSA CONDUIT (sandbox 20 ft weir)	509/539	Yes	202.7	2/14/1935
F38C-R	BALLONA CREEK above Sawtelle Blvd.	672 G4	Yes	88.6	8/10/1967
F120B-R	BIG DALTON CREEK below Big Dalton Dam	509/540	Yes	4.8	6/3/1940
F394-R	BIG ROCK CREEK upstream from Pallett Creek	4469 D3	Yes	34.3	4/22/1983
F168-R	BIG TUJUNGA CREEK below Big Tujunga Dam	4645/4725	Yes	82.3	12/8/1931
F377-R	BOUQUET CANYON CREEK at Urbandale Avenue	4461 C5	Yes	51.9	10/11/1967
F329-R	BRADBURY CHANNEL below Central Avenue	568 C5	Yes	3.3	6/14/1957
F342-R	BRANFORD STREET CHANNEL below Sharp Avenue	502 E7	Yes	5.01	1/12/1962
E285-R	BURBANK WESTERN STORM DRAIN at Riverside Dr.	563 H3	Yes	25	10/1/1949
F37B-R	COMPTON CREEK near Greenleaf Drive	734 J6	No	22.6	10/3/1938
F354-R	COYOTE CREEK below Spring Street	796 H2	Yes	185	12/17/1963
F274B-R	DALTON WASH at Merced Avenue	638 D1	Yes	35.95	11/2/1958
F318-R	EATON WASH at Loftus Drive	597 A7	Yes	22.8	2/23/1956
F271-R	EATON WASH below Eaton Wash Dam	566 F1	Yes	12.4	10/1/1940
U7-R	FISH CREEK above mouth of canyon	568 G1	No	6.36	7/1/2017
F251-R	LEAKAGE at Toe of Cogswell Dam	508 C5	Yes	39.2	4/26/1935
L1-R	LITTLE ROCK CREEK above Little Rock Dam	4467 D2	No	49.2	10/1/1930
F356-R	LIVE OAK CREEK below Live Oak Dam	571 A5	Yes	2.28	11/29/1963
F300-R	LOS ANGELES RIVER at Tujunga Avenue	562 J6	Yes	401	5/8/1950
F34D-R	LOS ANGELES RIVER below Firestone Blvd.	705 F4	Yes	596	11/12/1956
F319-R	LOS ANGELES RIVER below Wardlow River Road	765 C1	Yes	815	1/13/1956
F57C-R	LOS ANGELES RIVER above Arroyo Seco	594 H6	Yes	511	12/8/1939
F130-R	MALIBU CREEK below Cold Creek	628 H1	Yes	104.96	1/17/1931
F395-R	MESCAL CREEK at mouth of canyon	4471 D4	Yes	5.71	1/28/1983
F328-R	MINT CANYON CREEK at Fitch Avenue	4462 C6	No	26.9	10/26/1956
F181-R	MONTEBELLO STORM DRAIN above Rio Hondo	676 E4	No	9.6	1/12/1932
F118B-R	PACOIMA CREEK FLUME below Pacoima Dam	4642 F7	Yes	28.2	2/9/1935

R U N O F F

INDEX OF STREAM FLOW MEASURING STATIONS

Station No.	Station Name	Thomas Guide Page	Regulated	Drainage Area Sq.Mile	Length Of Record
F305-R	PACOIMA DIVERSION at Branford Street	502 D7	Yes	48.8	10/30/1953
F122-R	PALLET CREEK at Valyermo Highway	4469 D2	No	15.8	10/31/1961
F192B-R	RIO HONDO below Lower Azusa Avenue	597 D5	Yes	40.9	12/18/1958
F45B-R	RIO HONDO above Stuart and Gray Road	705 G4	Yes	140	11/20/1951
F313B-R	RIO HONDO BYPASS - Zone one Ditch	637 A7	Yes	Controlled	11/28/1983
F338-R	RUBIO DIVERSION CHANNEL below Gooseberry Inlet	536 C5	Yes	2.1	12/16/1959
F82C-R	RUBIO WASH at Glendon Way	596 H7	Yes	10.9	11/6/1936
F303-R	SAN DIMAS CREEK below San Dimas Dam	570 F2	Yes	16.2	12/24/1951

R U N O F F

STREAM GAGING STATION INFORMATION

[See Appendix B](#)

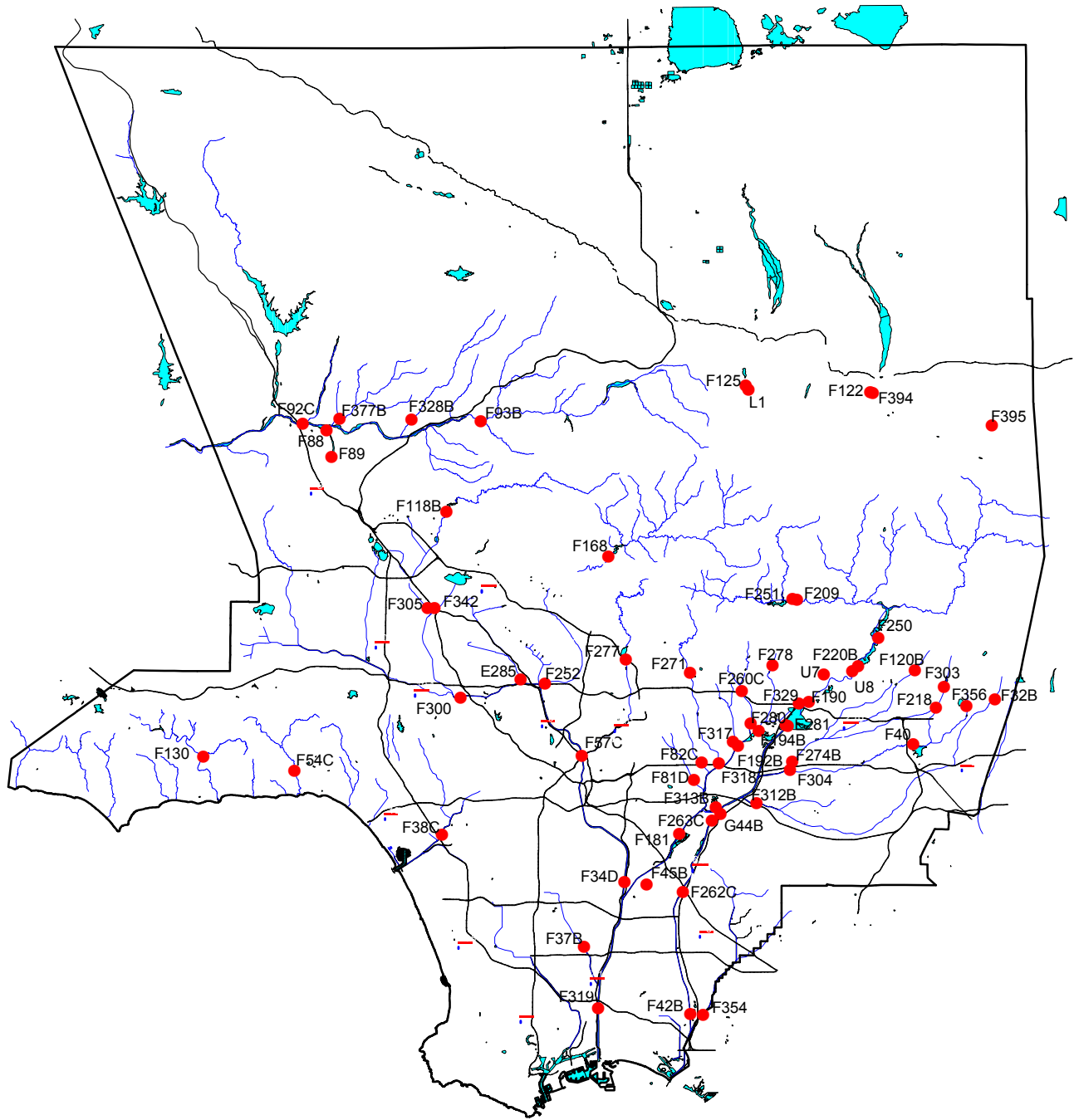
DAILY DISCHARGE

[See Appendix C](#)

STREAM GAGING STATION PEAK FLOW

[See Appendix D](#)

STREAM GAGE STATION LOCATIONS



LEGEND

● Stream Gage Station



R E S E R V O I R S

RESERVOIRS

Following the damaging flood of 1914 and creation of the Los Angeles County Flood Control District in 1915, a program of flood control and water conservation was initiated by the District. Part of this program included the construction of 14 dams which were completed between 1920 and 1939. These dams continued to be operated and maintained by the Department to control flood waters during storm periods. The Department makes post storm releases, when feasible, in amounts that can be conserved in downstream spreading grounds and by channel percolation. In addition, five Corps of Engineers' dams, Lopez, Hansen, Santa Fe, Sepulveda, and Whittier Narrows Dams, are operated by the Corps in conjunction with the Department dams to achieve flood control and/or water conservation.

RECORDS:

The Department's 14 dams and reservoirs' locations are shown on the [map](#). Data on the yearly reservoir operation summaries for each reservoir are provided by selecting from the Yearly Summary on the left. Data for these facilities can be obtained by contacting the custodian of hydrologic records.

Los Angeles County Department of Public Works
Water Resources Division
P.O. Box 1460
Alhambra, CA 91802-1460

...or telephone: (626) 458-6120

R E S E R V O I R S**YEARLY RESERVOIR OPERATION SUMMARY**

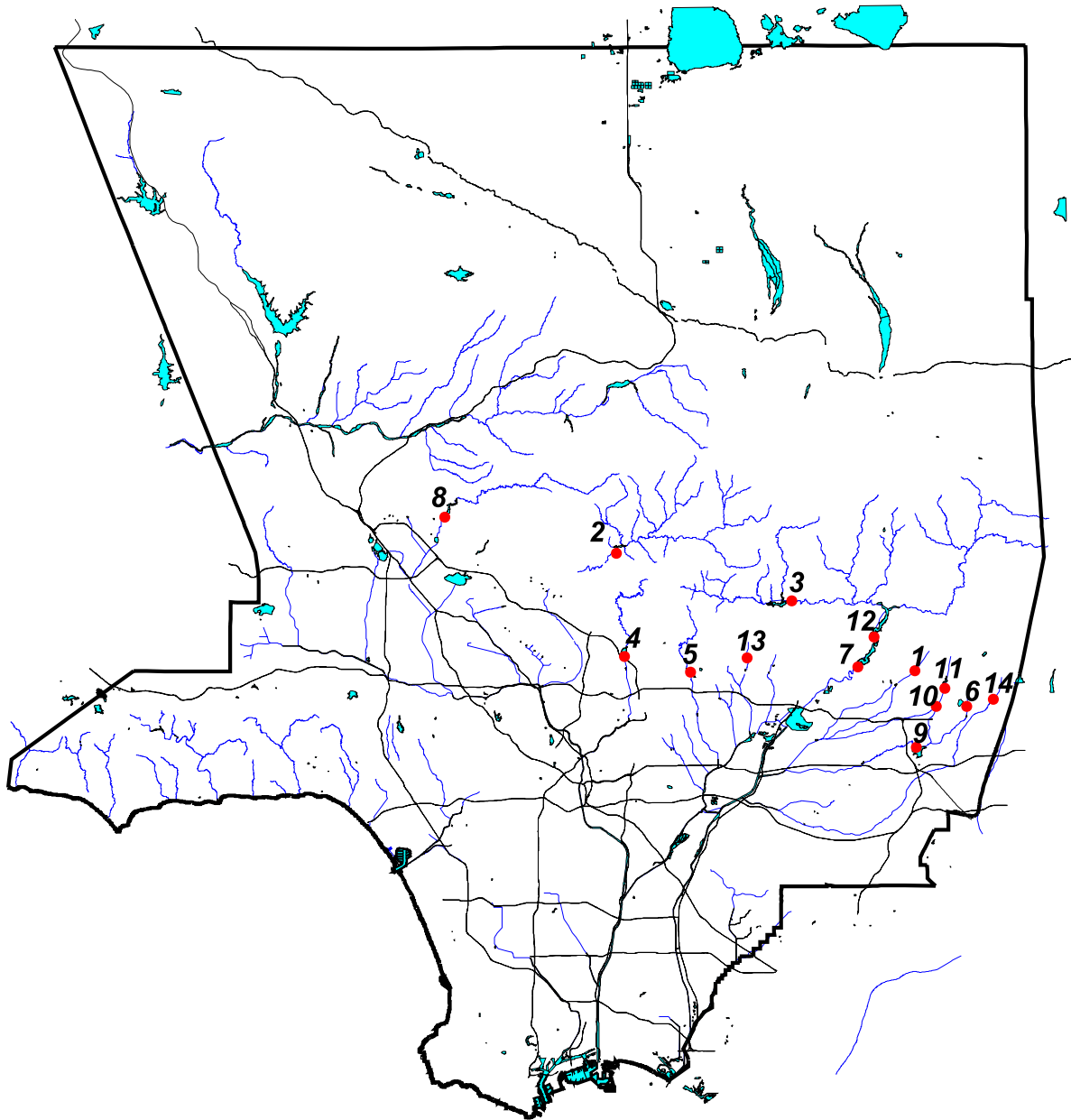
[See Appendix E](#)

Location	Appendix E
Big Dalton Dam	Appendix E 01
Big Tujunga Dam	Appendix E 02
Cogswell Dam	Appendix E 03
Devil's Gate Dam	Appendix E 04
Eaton Wash Dam	Appendix E 05
Live Oak Dam	Appendix E 06
Morris Dam	Appendix E 07
Pacoima Dam	Appendix E 08
Puddingstone Dam	Appendix E 09
Puddingstone Diversion	Appendix E 10
San Dimas Dam	Appendix E 11
San Gabriel Dam	Appendix E 12
Santa Anita Dam	Appendix E 13
Thompson Creek Dam	Appendix E 14

R E S E R V O I R S

FACILITIES

DPW Dams and Reservoirs	Current Uses	Construction Completed	Drainage Area (sq.mi)	Original Capacity (acre-ft)	Spillway Elv (ft)	Location
Big Dalton Dam	Flood control and water conservation	August 1929	4.5	1053	1706	4 miles northeast of Glendora
Big Tujunga Dam	Flood control and water conservation	July 1931	82.3	6240	2290	10 miles northeast of Sunland
Cogswell Dam	Flood control and water conservation	April 1934	39.2	12298	2385	22 miles north of Azusa
Devil's Gate Dam	Flood control and water conservation	June 1920	31.9	4601	1040.5	Arroyo Seco, northwest of Pasadena
Eaton Wash Dam	Flood control and debris storage	February 1937	12.4	956	887.5	Eaton Wash, northeast of Pasadena
Live Oak Dam	Flood control and water conservation	November 1922	2.3	250	1496	2.5 miles northeast of La Verne
Morris Dam	Water conservation	1935	211.4	39300	1152	5 miles north of Azusa
Pacoima Dam	Flood control and water conservation	February 1929	28.2	6060	1950	4 miles northeast of San Fernando
Puddingstone Dam	Flood control and water conservation	January 1928	33.1	17938	970	1 mile south of San Dimas
Puddingstone Diversion	Flood control and diversion of flow	July 1928	19.9	148	1152.5	2 miles northeast of San Dimas
San Dimas Dam	Flood control and diversion of flow	September 1922	16.2	1496	1462	3 miles northeast of San Dimas
San Gabriel Dam	Flood control and water conservation	July 1939	202.7	53344	1453	7.5 miles north of Azusa
Santa Anita Dam	Flood control and water conservation	March 1927	10.8	1376	1316	2.5 miles north of Arcadia
Thompson Creek Dam	Flood control and water conservation	March 1928	3.5	812	1634	3 miles north of Claremont
FC	Flood Control					
WC	Water Conservation					
DC	Debris Control					
R	Recreation					



1. Big Dalton Dam
 2. Big Tujunga Dam
 3. Cogswell Dam
 4. Devil's Gate Dam
 5. Eaton Wash Dam

6. Live Oak Dam
 7. Morris Dam
 8. Pacoima Dam
 9. Puddingstone Dam
 10. Puddingstone Diversion Dam

11. San Dimas Dam
 12. San Gabriel Dam
 13. Santa Anita Dam
 14. Thompson Creek Dam

E R O S I O N C O N T R O L

EROSION CONTROL

Each year eroded material in various forms (debris consisting of rock, sand, trees, etc.) flows out of the mountain watersheds of the County of Los Angeles. In an effort to control this potentially disruptive force, Public Works maintains a series of debris basins in canyon mouths and upstream stabilization structures in selected watersheds.

DEBRIS BASINS:

The purpose of a debris basin is to entrap the sediment flows emanating from the canyon and let the relatively desilted water pass into the downstream flood control channels.

Public Works maintained over 100 debris basins during the reporting period. Their locations are shown in a PDF [map](#) (1.67MB).

Data for sediment inflow at individual debris basins and unpublished information may be obtained by contacting:

County of Los Angeles
Department of Public Works
Water Resources Division
Facilities Section
P.O. Box 1460
Alhambra, CA 91802-1460

...or telephone: (626) 458-6131

STABILIZATION STRUCTURES:

Public Works has constructed stabilization structures to control erosion in natural canyons. These structures serve to prevent down cutting by stabilizing alluvium deposits. In addition, they store debris generated by the watershed and serve to stabilize side banks, reducing side slope sloughing and bank erosion.

Public Works maintained 217 stabilization structures in 47 major watersheds during the reporting period. The Department has not constructed any stabilization structures since the 1973-74 water year.

EMERGENCY STRUCTURES:

Public Works has constructed emergency structures (rail and timber) to entrap the debris from burned watersheds. The structures serve to protect improvements (road, channel, residence, etc.) located downstream of the watersheds.

Watersheds within the County of Los Angeles periodically burn. Maps of areas burned during the reporting period can be obtained by contacting the Water Resources Division/Facilities Section.

E R O S I O N C O N T R O L

LOCATION MAP

[See Appendix F](#)

E R O S I O N C O N T R O L

DEBRIS BASIN - DESIGN DATA

Debris Basin	First Debris Season	Un-controlled Drainage Area Above Basin (Sq. Mi.)	Bottom Elev. at Max Cap. (ft)	Elevation Port Invert (ft)	Elevation Spillway Crest (ft)	Width Spillway	Elevation Crest of Dam	Maximum Debris Capacity (Cu. Yds)
Aliso	1970-71	2.77	1,108.0	1108.4	1120	70.0	1,134.0	42000 (8)
Arbor Dell	1971-72	0.11	898.7	898.4	913	22.9	919.6	12000
Auburn	1954-55	0.19	1,260.1	1260.5	1278.02	30.0	1,286.0	39000
Bailey	1945-46	0.6	1,123.1	1123.1	1155	30.0	1,166.0	129000
Beatty	1970-71	0.27	800.0	800	807	32.0	815.5	43000
Bigbriar	1971-72	0.02	1,898.3	1896	1910	14.0	1,910.8	2600
Big Dalton	1959-60	2.94	1,102.0	1101.9 (3)	1131.5	116.0	1,148.7	518000
Blanchard	1968-69	0.47	2,026.0	2026	2053.5	40.0	2,065.0	75000
Blue Gum	1968-69	0.19	2,020.0	2020	2042	25.0	2,053.0	40000
Brace	1971-72	0.29	1,189.7	1189.7	1196.1	20.0	1,205.0	30000
Bracemar	1971-72	0.01	1,140.0	1140	1145.5	8.0	1,148.0	700 (14)
Bradbury	1954-55	0.68	912.5	913.1	920	58.0	928.0	90000
Brand	1935-36	1.04	860.0	860	890	60.0	903.0	166000
Buena Vista	1985-86	0.1	978.7	978.7	992.2	39.0	997.7	22000
Carriage House	1970-71	0.03	1,350.2	1350	1362.9	15.0	1,366.8	6100
Carter	1954-55	0.12	1,222.0	1223.2	1238.2	30.0	1,245.0	15000
Cassara	1976-77	0.21	1,271.5	1271.5	1291.7	66.0	1,295.4	37000
Chamberlain	1974-75	0.04	1,084.6	1084	1097.5	20.0	1,101.3	4700
Chandler	1995-96	0.16	1,055.0	1052	1073	36.0	1,078.3	20000 (15)
Childs	1963-64	0.3	1,022.0	1022	1058.8	23.0	1,071.0	50000
Cloud Creek	1972-73	0.01	2,350.5	2350.5	2360	(5)	2,362.0	5100
Cloudcroft	1973-74	0.21	313.9	315	329.5	36.0	329.5	35000
Cooks	1951-52	0.58	2,058.0	2058	2082.9	48.0	2,092.0	52000
Cooks M-1A	1975-76	(13)	2,120.0	(10)	2142.4	(10)	(10)	34000
Crestview	1983-84	0.03	864.4	864	886.2	20.0	891.7	5900 (14)
Crocker	1983-84	0.67	1,064.2	1064.2	1069.8	36.0	1,077.0	19000 (14)
Deer	1954-55	0.59	1,185.4	1185	1201	56.0	1,209.6	57000

FOOTNOTES

- (1) Lowest clear water outlet, not spillway.
- (2) Elevation of spillway notch.
- (3) Flow line of sluiceway.
- (4) Elevation of spillway into outlet channel. Elevation of overflow spillway 1,036.9 feet.
- (5) One 30-inch reinforced concrete pipe.
- (6) Four 36-inch corrugated metal pipes.
- (7) One 36-inch reinforced concrete pipe. (Elevated inlet)
- (8) Debris capacity available within right of way limits.
- (9) Pit-type basin.
- (10) Information unavailable.
- (11) Special cleanout required due to limited storage.
- (12) Cleanout required when debris reaches or exceeds elevation 1128.9 feet against face of dam.
- (13) Values are combined with Cooks debris basin.
- (14) Spillway level storage capacity.
- (15) Data taken from design drawings.
- (16) 7 feet in diameter circular outlet type.
- (17) The maximum capacities have been rounded off with regard to appropriate precision consistent with the assumptions used in the development of Hydrology and Sedimentation Manual.

E R O S I O N C O N T R O L

DEBRIS BASIN - DESIGN DATA

Debris Basin	First Debris Season	Un-controlled Drainage Area Above Basin (Sq. Mi.)	Bottom Elev. at Max Cap. (ft)	Elevation Port Invert (ft)	Elevation Spillway Crest (ft)	Width Spillway	Elevation Crest of Dam	Maximum Debris Capacity (Cu. Yds)
Denivelle	1976-77	0.18	1,471.0	1471	1479.3	46.0	1,483.3	7900
Devonwood	1981-82	0.05	1,899.0	1899	1921.7	(16)	1,927.5	11000
Dry Canyon-South Fork	1978-79	0.49	1,062.8	1062.5	1074.8	32.0	1,079.3	7900
Dunsmuir	1935-36	0.84	2,228.0	2227.7	2257.2	60.0	2,272.2	103000
Eagle	1936-37	0.48	1,849.5	1845.5	1880.2	60.0	1,895.2	63000
Elmwood	1964-65	0.31	912.0	911.5	938	22.0	952.0	61000
Emerald-East	1964-65	0.32	1,184.7	1181.1	1192	30.0	1,204.0	14000
Englewild	1961-62	0.44	1,274.9	1275	1297	50.0	1,300.0	41000
Fair Oaks	1935-36	0.2	1,544.0	1544	1561.9	(6)	1,566.5	24000
Fern	1935-36	0.31	1,440.0	1440	1476.42	25.0	1,482.0	43000
Fieldbrook	1974-75	0.35	712.7	713	718	28.0	722.3	2800
Golf Club Drive	1970-71	0.99	880.7	880.7	902	36.7	915.0	15000
Gooseberry Creek	1998-99	0.26	1439.7	1440	1460.45	25.0	1,469.3	34000
Gordon	1973-74	0.18	1075.7	1075	1096	22.0	1,104.5	33000
Gould	1947-48	0.36	1,529.5	1528.2	1548	55.0	1,558.3	53000
Gould (Upper)	1976-77	0.18	1,863.9	1863.9	1897.7	32.0	1,901.0	52000
Halls	1935-36	0.83	1,641.6	1641.8	1662	131.0	1,664.0	94000
Harrow	1958-59	0.43	1,254.8	1255	1269	40.0	1,277.8	68000
Haven Way	1991-92	0.13	1,323.0	1323	1329	20.0	1,335.6	34000
Hay	1936-37	0.2	1,890.2	1890.18	1908	36.0	1,915.0	37000
Hillcrest	1962-63	0.35	863.5	863.5	885	18.0	901.0	58000
Hog	1969-70	0.32	1,520.0	1520	1535	32.0	1,547.0	43000
Hook East	1968-69	0.18	1,197.5	1198	1210.9	37.0	1,215.0	22000
Hook West	1970-71	0.17	1,144.8	1145	1158.9	40.0	1,167.0	22000

FOOTNOTES

- (1) Lowest clear water outlet, not spillway.
- (2) Elevation of spillway notch.
- (3) Flow line of sluiceway.
- (4) Elevation of spillway into outlet channel. Elevation of overflow spillway 1,036.9 feet.
- (5) One 30-inch reinforced concrete pipe.
- (6) Four 36-inch corrugated metal pipes.
- (7) One 36-inch reinforced concrete pipe. (Elevated inlet)
- (8) Debris capacity available within right of way limits.
- (9) Pit-type basin.
- (10) Information unavailable.
- (11) Special cleanout required due to limited storage.
- (12) Cleanout required when debris reaches or exceeds elevation 1128.9 feet against face of dam.
- (13) Values are combined with Cooks debris basin.
- (14) Spillway level storage capacity.
- (15) Data taken from design drawings.
- (16) 7 feet in diameter circular outlet type.
- (17) The maximum capacities have been rounded off with regard to appropriate precision consistent with the assumptions used in the development of Hydrology and Sedimentation Manual.

E R O S I O N C O N T R O L

DEBRIS BASIN - DESIGN DATA

Debris Basin	First Debris Season	Un-controlled Drainage Area Above Basin (Sq. Mi.)	Bottom Elev. at Max Cap. (ft)	Elevation Port Invert (ft)	Elevation Spillway Crest (ft)	Width Spillway	Elevation Crest of Dam	Maximum Debris Capacity (Cu. Yds)
Inverness	1982-83	0.03	1,253.0	1252.9	1256.7	20.0	1,261.0	3300
Irving Drive	1974-75	0.03	905.8	905	915.3	12.0	920.0	1200
Kinneloa	1964-65	0.2	1,370.0	1370	1403.4	76.0	1,407.9	36000
Kinneloa - West	1966-67	0.19	1,385.0	1385	1412.7	22.0	1,421.0	35000
Lannan	1954-55	0.25	1,017.2	1015	1035.8	14.0	1,043.0	41000
La Tuna	1955-56	5.34	1,109.0	1110	1140	75.0	1,157.0	495000
Las Flores	1935-36	0.45	1,685.1	-9	1715.6	50.0	1,726.4	56000
Las Lomas	1983-84	0.07	887.0	887	906	77.0	908.5	17000
Limekiln	1963-64	3.72	992.0	992	1003	77.0	1,019.0	172000
Lincoln	1935-36	0.5	1,275.8	1276	1304	56.0	1,322.5	38000
Linda Vista	1970-71	0.37	979.5	979.5	989.8	40.0	995.7	3200
Little Dalton	1959-60	3.31	1,140.0	1139.5	1186	84.0	1,200.2	661000
Maddock	1954-55	0.26	888.6	891.8	901	36.0	904.0	45000
Marston/Paragon	1988-89	0.2	1,455.6	1455.6	1460	20.0	1466.0	6100
May No. 1	1953-54	0.7	1,666.0	1666	1684	60.0	1,692.5	64000
May No. 2	1953-54	0.09	1,663.4	1663.5 (2)	1669.5	20.0	1,674.0	13000
Monument	1981-82	0.11	943.8	942.3	950	12.0	954.0	7000
Morgan	1964-65	0.6	1,137.9	1137.9	1162.08	45.0	1,171.5	79000
Mountbatten	1983-84	0.01	1,136.2	1135.5	1140.9	20.0	1,141.0	1400
Mull	1973-74	0.15	1,146.9	1147	1154	20.0	1,165.0	13000
Mullally (11)	1974-75	0.34	2,420.0	2420	2435.4	42.0	2,439.6	9400
Nichols	1937-38	0.94	480.5	481	485.1	50.0	495.0	14000
Oak	1975-76	0.05	2,143.8	2145.7	2151.8	50.0	2,156.2	11000
Oakglade	1974-75	0.06	1,274.6	1280	1290	20.0	1,296.0	7300
Oakmont View	1984-85	0.02	1,315.5	1315.5	1327.5	20.0	1,328.5	3400

FOOTNOTES

- (1) Lowest clear water outlet, not spillway.
- (2) Elevation of spillway notch.
- (3) Flow line of sluiceway.
- (4) Elevation of spillway into outlet channel. Elevation of overflow spillway 1,036.9 feet.
- (5) One 30-inch reinforced concrete pipe.
- (6) Four 36-inch corrugated metal pipes.
- (7) One 36-inch reinforced concrete pipe. (Elevated inlet)
- (8) Debris capacity available within right of way limits.
- (9) Pit-type basin.
- (10) Information unavailable.
- (11) Special cleanout required due to limited storage.
- (12) Cleanout required when debris reaches or exceeds elevation 1128.9 feet against face of dam.
- (13) Values are combined with Cooks debris basin.
- (14) Spillway level storage capacity.
- (15) Data taken from design drawings.
- (16) 7 feet in diameter circular outlet type.
- (17) The maximum capacities have been rounded off with regard to appropriate precision consistent with the assumptions used in the development of Hydrology and Sedimentation Manual.

E R O S I O N C O N T R O L

DEBRIS BASIN - DESIGN DATA

Debris Basin	First Debris Season	Un-controlled Drainage Area Above Basin (Sq. Mi.)	Bottom Elev. at Max Cap. (ft)	Elevation Port Invert (ft)	Elevation Spillway Crest (ft)	Width Spillway	Elevation Crest of Dam	Maximum Debris Capacity (Cu. Yds)
Drive								
Oliver	1989-90	0.18	1,258.0	1258	1278.3	41.0	1,283.3	32000
Pickens	1935-36	1.5	1,563.6	1564	1600	123.0	1,613.0	125000
Pinelawn	1973-74	0.02	2,431.0	2430.5	2443	(7)	2,448.5	3200
Rowley	1953-54	0.21	1,703.6	1703.6	1714	60.0	1,722.0	43000
Rowley (Upper)	1976-77	0.31	1,926.0	1926	1946	42.0	1,951.3	29000
Rubio	1943-44	1.26	1,582.0	1582	1610.76	66.8	1,625.5	150000
Ruby (Lower)	1955-56	0.28	810.8	809.6	828	45.0	833.0	29000
Rye	1981-82	1.11	1,073.9	1073.8	1077.7	58.2	1,081.5	19000
Saddleback	1988-89	0.04	1,781.1	1779.3	1790.9	23.5	1,796.8	16000
Santa Anita	1959-60	1.7	748.5	748.5 (3)	774.7	160.0	796.0	395000
Sawpit	1954-55	2.84	930.3	930.3	982	110.0	1,000.0	636000
Scholl	1945-46	0.66	950.0	950 (2)	956	76.0	966.0	9300
Schoolhouse	1962-63	0.28	1,459.6	1460	1478.5	20.0	1,491.0	68000
Schwartz	1976-77	0.25	1,294.7	1294.7	1313.2	35.0	1,319.0	45000
Shields	1937-38	0.06	2,050.0	2050	2058.1	30.0	2,070.2	20000
Sierra Madre Dam (12)	1927-28	2.39	1,119.6	1119.5	1172.5	62.5	1,175.0	136000
Sierra Madre Villa	1957-58	1.46	1,069.2	1069.2	1088.9	48.0	1,102.5	402000
Snover	1936-37	0.21	1,862.8	1862.7	1879	40.0	1,893.7	25000
Sombrero	1969-70	1.06	1,539.6	1540	1564.8	45.0	1,580.0	88000
Spinks	1958-59	0.44	750.0	750	761.5	40.0	765.9	56000
Starfall	1973-74	0.13	2,428.0	2428	2441.5	30.0	2,446.5	15000
Stetson	1969-70	0.29	1,556.0	1555	1570	32.0	1,579.0	41000
Stough	1940-41	1.65	1,006.0	1005.8	1031.5 (4)	100.0	1,043.5	181000

FOOTNOTES

- (1) Lowest clear water outlet, not spillway.
- (2) Elevation of spillway notch.
- (3) Flow line of sluiceway.
- (4) Elevation of spillway into outlet channel. Elevation of overflow spillway 1,036.9 feet.
- (5) One 30-inch reinforced concrete pipe.
- (6) Four 36-inch corrugated metal pipes.
- (7) One 36-inch reinforced concrete pipe. (Elevated inlet)
- (8) Debris capacity available within right of way limits.
- (9) Pit-type basin.
- (10) Information unavailable.
- (11) Special cleanout required due to limited storage.
- (12) Cleanout required when debris reaches or exceeds elevation 1128.9 feet against face of dam.
- (13) Values are combined with Cooks debris basin.
- (14) Spillway level storage capacity.
- (15) Data taken from design drawings.
- (16) 7 feet in diameter circular outlet type.
- (17) The maximum capacities have been rounded off with regard to appropriate precision consistent with the assumptions used in the development of Hydrology and Sedimentation Manual.

E R O S I O N C O N T R O L

DEBRIS BASIN - DESIGN DATA

Debris Basin	First Debris Season	Un-controlled Drainage Area Above Basin (Sq. Mi.)	Bottom Elev. at Max Cap. (ft)	Elevation Port Invert (ft)	Elevation Spillway Crest (ft)	Width Spillway	Elevation Crest of Dam	Maximum Debris Capacity (Cu. Yds)
Sturtevant	1967-68	0.03	975.0	971	983.6	8.0	990.0	1400
Sullivan	1970-71	2.38	570.0	570	587	50.0	599.3	51000
Sunnyside	1970-71	0.02	1,290.0	1290	1299.5	15.0	1,303.8	3400
Sunset Canyon-Deer	1982-83	0.21	1,382.4	1380.5	1401.8	24.0	1,409.1	5000
Sunset (Lower)	1963-64	0.45	1,003.8	994.5	1040	40.0	1,056.0	159000
Sunset (Upper)	1928-29	0.44	1,574.2	1574	1603.7	75.0	1,610.1	16000
Turnbull	1952-53	0.99	476.1	475.6	492	40.0	503.0	22000
Upper Shields	1976-77	0.21	2,498.0	2498	2529.9	33.0	2,537.2	40000
Verdugo	1935-36	9.4	1,109.5	1110	1119.7	145.0	1,131.0	131000
Ward	1956-57	0.12	2,021.8	2022	2043	58.0	2,045.3	26000
West Ravine	1935-36	0.25	1,484.4	1469.6 (1)	1501.9	20.0	1,505.5	39000
Westridge	1974-75	0.02	894.0	894	901	10.7	906.0	1400 (14)
Wildwood	1967-68	0.65	1,342.9	1342.9	1354	50.0	1,360.0	21000
William S. Hart Park	1983-84	0.09	1,282.5	1280	1290	19.0	1,293.0	2400
Wilson	1962-63	2.58	1,493.0	1493	1526	60.0	1,543.0	313000
Winery	1968-69	0.18	1,920.0	1920	1935	20.0	1,945.0	29000
Zachau	1956-57	0.35	1,803.4	1803.1	1820.5	44.0	1,827.5	48000
116 DEBRIS BASINS		75.87						7,798,100

FOOTNOTES

- (1) Lowest clear water outlet, not spillway.
- (2) Elevation of spillway notch.
- (3) Flow line of sluiceway.
- (4) Elevation of spillway into outlet channel. Elevation of overflow spillway 1,036.9 feet.
- (5) One 30-inch reinforced concrete pipe.
- (6) Four 36-inch corrugated metal pipes.
- (7) One 36-inch reinforced concrete pipe. (Elevated inlet)
- (8) Debris capacity available within right of way limits.
- (9) Pit-type basin.
- (10) Information unavailable.
- (11) Special cleanout required due to limited storage.
- (12) Cleanout required when debris reaches or exceeds elevation 1128.9 feet against face of dam.
- (13) Values are combined with Cooks debris basin.
- (14) Spillway level storage capacity.
- (15) Data taken from design drawings.
- (16) 7 feet in diameter circular outlet type.
- (17) The maximum capacities have been rounded off with regard to appropriate precision consistent with the assumptions used in the development of Hydrology and Sedimentation Manual.

E R O S I O N C O N T R O L

DEBRIS BASIN – YEARLY DEBRIS PRODUCTION SUMMARY

[See Appendix M – Active Basins.](#)

[See Appendix M – Discontinued Basins.](#)

WATER CONSERVATION

WATER CONSERVATION

Information presented in this section includes amounts of local, imported, and reclaimed water conserved in spreading areas and information on the seawater barrier projects which prevent salt water intrusion into groundwater zones in the coastal areas. Pertinent data is presented regarding the locations and descriptions of Public Works' water conservation facilities as well as facilities owned by others. Additional data not presented in this report or its appendices can be obtained by contacting the [custodian](#) of hydrologic records.

CONSERVING THE WATERS

In addition to the flood control program, Public Works has the equally important mission of conserving as much of the storm and other waters as practicable. The use of water conservation facilities adjacent to river channels and in soft-bottom channels permits water to percolate into groundwater basins for later pumping. These water spreading facilities are located in areas where the underlying soils are composed of permeable formations and in hydraulic connection with the underlying aquifer.

The various types of water conserved, local, imported, and reclaimed are construed to have the following meanings in this section: Local water is primarily runoff due to rainfall on the mountain and valley watersheds, dam releases, and rising water within the County. Imported water is water originating outside the County either from Northern California or from the Colorado River. Reclaimed water is the effluent produced by the Whittier Narrows Water Reclamation Plant, the San Jose Creek Water Reclamation Plant, and the Pomona Water Reclamation Plant, all operated by the County of Los Angeles Sanitation District. Reclaimed water is also injected at the seawater barriers. Both West Basin and the Department of Water and Power provide tertiary treated water used for direct injection.

The importance of this activity is apparent when it is realized that about 30 to 40 percent of the water used in the County is pumped from groundwater supplies. The growth of the County, combined with periodic droughts, has seriously depleted these supplies on numerous occasions.

Public Works' policy is to conserve the maximum possible amount of storm water consistent with runoff quantity and quality, capacities of the spreading facilities, and groundwater conditions.

IMPORTED WATER

During the reporting period, Public Works received water imported from the Colorado River and the State Water Project by the Metropolitan Water District (MWD) and spread it in the Coastal Plain at Public Works' Rio Hondo and San Gabriel Coastal Spreading Grounds on behalf of the Water Replenishment District of Southern California. MWD water is also spread in the Main San Gabriel Basin, Upper San Gabriel Canyon Basin, and Glendora Basin.

Public Works spreads imported water from MWD and the San Gabriel Valley Municipal Water District (SGVMWD) in the San Gabriel Valley on behalf of, the Upper San Gabriel Valley Municipal Water District, and the Three Valleys Municipal Water District in the following facilities:

- San Gabriel Canyon Spreading Grounds
- Santa Fe Spreading Grounds
- San Gabriel River
- Little Dalton Spreading Grounds
- Forbes Spreading Grounds
- Irwindale Spreading Basin/Manning Pit
- Citrus Spreading Grounds
- Ben Lomond Spreading Grounds
- Valley Rubber Dam Spreading Areas

RECYCLED WATER

The County Sanitation District's Whittier Narrows Water Reclamation Plant effluent purchased by the Water Replenishment District of Southern California is transported to the Rio Hondo and San Gabriel Coastal Basin Spreading Grounds for groundwater replenishment.

The County Sanitation District's San Jose Creek Water Reclamation Plant made its first delivery of effluent in November 1972. The effluent released into San Jose Creek, San Gabriel River, or directly delivered to San Gabriel Coastal Spreading Ground via pipeline can be purchased by the Water Replenishment District of Southern California.

Water from the Pomona Reclamation Plant is released down the San Jose Creek - San Gabriel River System to Public Works' recharge facilities in the Central Basin spreading grounds.

The maximum amount of reclaimed water allowed for spreading in the Montebello Forebay, effective July 1991, is 60,000 acre-feet per year but not to exceed 150,000 acre-feet over a three-year period.

WATER CONSERVATION

SEAWATER BARRIER PROJECTS

Public Works operates three barrier projects to protect the groundwater in the West Coast and Central Basins against seawater intrusion by creating freshwater pressure ridges along the coastline. The pressure ridges are created by injecting freshwater through a series of injection wells. The amounts of water injected by these wells during the reporting period are as follows:

Facility	Imported Water (Acre-Feet)	Recycled Water (Acre-Feet)
Alamitos Barrier Project:		
Los Angeles Portion	1,020	921
Orange County Portion*	315	255
Dominguez Gap Barrier Project	7,496	1,216
West Coast Basin Barrier Project	5,986	4,248

*Injected on behalf of the Orange County Water District .

SEASONAL DATA AND MAPS

During the reporting period, weekly, monthly, and semi-annual measurements of groundwater levels in observation wells located throughout the groundwater basins in the County of Los Angeles were made and processed.

Locations of the key wells noted herein are shown on the well map in the Water Conservation Summary section. Historical key well level data can be downloaded as [ASCII](#) file or from the pull down selection in the Water Conservation Summary section.

Static groundwater elevation contour maps for the three major groundwater regions in the County of Los Angeles are available from the local basin water agencies:

Groundwater Basin	Contact
Upper Los Angeles River Area (San Fernando Valley)	Upper Los Angeles River Watermaster P.O. Box 111, Room 1455 Los Angeles, CA 90051 (213) 367-1020 (213) 367-1131 (FAX)
San Gabriel Valley	Main San Gabriel Basin Watermaster 729 North Azusa Avenue Azusa, CA 91702 (626) 815-1300 (626) 815-1303 (FAX)
Coastal Plain	Water Replenishment District of Southern California 12621 East 166th Street Cerritos, CA 90703 (562) 921-5521 (562) 921-6101 (FAX)

GROUNDWATER BASINS AND GROUNDWATER RECHARGE

Groundwater in the County of Los Angeles is stored in basins underlying five major geographic areas. These groundwater basins are separated by geologic features which impede groundwater movement or by political boundaries. A map of these groundwater basins and Public Works' spreading grounds is available upon request from Public Works. General spreading grounds facility information is included in the summary section. Monthly water conservation data for the reporting period at Public Works' facilities and other pertinent facilities are included in the Water Conservation Summary section of this report. The monthly imported and recycled water deliveries for the reporting period are also included in the Water Conservation Summary section. The following is a background summary of Public Works' groundwater recharge activities within each of these major areas:

WATER CONSERVATION

COUNTY-WIDE

Public Works operates 2,436 acres of spreading grounds and soft-bottom channel spreading areas for replenishment of local groundwater supplies. Public Works also assisted in the operation and maintenance of 269 acres of spreading grounds owned by others. An additional 656 acres of spreading grounds are controlled maintained and operated by other agencies. The total gross acreage of spreading grounds in the County of Los Angeles is 3,361 acres.

Groundwater replenishment consists of storm runoff, imported water, and recycled water. Countywide, Public Works spread the following amounts during the reporting period:

County Rainfall Index (% of Normal)	95 *
Storm Runoff (acre-feet)	257,604
Imported Water (acre-feet)	109,910
Recycled Water (acre-feet)	42,022

Public Works is continuing its efforts to improve its water spreading facilities in order to maximize the amounts of water conserved and to simplify the spreading operations.

SAN GABRIEL VALLEY

Public Works operates 20 spreading facilities in the San Gabriel Valley that receive direct valley runoff and flows from the San Gabriel Mountains. Some of these facilities can also receive imported water. Valley wide, Public Works spread the following amounts during the reporting period:

Storm Runoff (acre-feet)	155,343
Imported Water (acre-feet)	73,815
Diversions to Grounds Owned by Others (acre-feet)	8,477

Public Works' spreading grounds replenished the Valley's several groundwater basins as follows:

	Storm Water (acre-feet)	Imported Water (acre-feet)	Key Wells
Main San Gabriel Basin	112,002	51,552	3030F, 2965C
Upper San Gabriel Canyon Basin	33,652	21,313	4284A
Lower San Gabriel Canyon Basin	884	0	4285
Wayhill Basin	512	151	
Foothill Basin	2,572	0	
Glendora Basin	1,117	799	
Claremont Heights Basin	0	0	4508A, 4508B
Live Oak Basin	0	0	
Chino Basin	0	0	
San Dimas Basin	618	0	
Pomona Basin	0	0	3251E, 3261P, 4469A
Puente and Spadra Basins	0	0	
Raymond Basin	3,986	0	4057H

WATER CONSERVATION

COASTAL PLAIN

The groundwater basins underlying the Coastal Plain are divided by geological features into the Central (includes the Montebello and Los Angeles Forebays), West Coast, Santa Monica, and Hollywood Basins. Most of the water is spread in the Montebello Forebay. Public Works spread the following amounts in the Coastal Plain during the reporting period:

Storm Runoff (acre-feet)	57,646
Imported Water (acre-feet)	36,095
Recycled Water (acre-feet)	42,022

Central Basin

The Central Basin has the most storage capacity of the basins in the Coastal Plain. In addition to the water recharged in Public Works' spreading facilities, water injected in the Alamitos Barrier Project also contributes to the replenishment of the pressure aquifers underlying the Central Basin. The basin contains Key Well Nos. 460K, 1601T, and 906D.

West Coast Basin

The West Coast basin is the second largest basin underlying the Coastal Plain and is separated by the Newport-Inglewood Fault zone. Groundwater is primarily recharged by Central Basin subsurface flows and by water injected by Public Works in the West Coast Basin and Dominguez Gap Barrier Projects. Groundwater elevations in the West Coast basin are below sea level except in the area of the West Coast Basin Barrier injection mound. The basin contains Key Well Nos. 1346D and 760C.

Santa Monica and Hollywood Basins

Public Works has no spreading facilities in either of these basins.

SAN FERNANDO VALLEY

The San Fernando Valley is also known as the Upper Los Angeles River Area (ULARA). Most of the runoff from the surrounding mountains flows to the Valley. The Valley comprises of four basins:

San Fernando Main Basin

The basin is the largest basin underlying the San Fernando Valley. The basin contains Key Well Nos. 3872H and 4709. Public Works spread the following during the reporting period:

Storm Runoff (acre-feet)	44,615
Imported Water (acre-feet)	0
Recycled Water (acre-feet)	0

Sylmar, Verdugo, and Eagle Rock Basins

Public Works has no spreading facilities in these much smaller basins.

SANTA CLARITA VALLEY

Public Works has no spreading facilities in the area. Much of the Valley is open space, permitting substantial natural percolation. The Upper Santa Clarita subunit comprises five basins.

ANTELOPE VALLEY

There are several groundwater sub-basins underlying the Antelope Valley. Five of them are located within the County of Los Angeles.

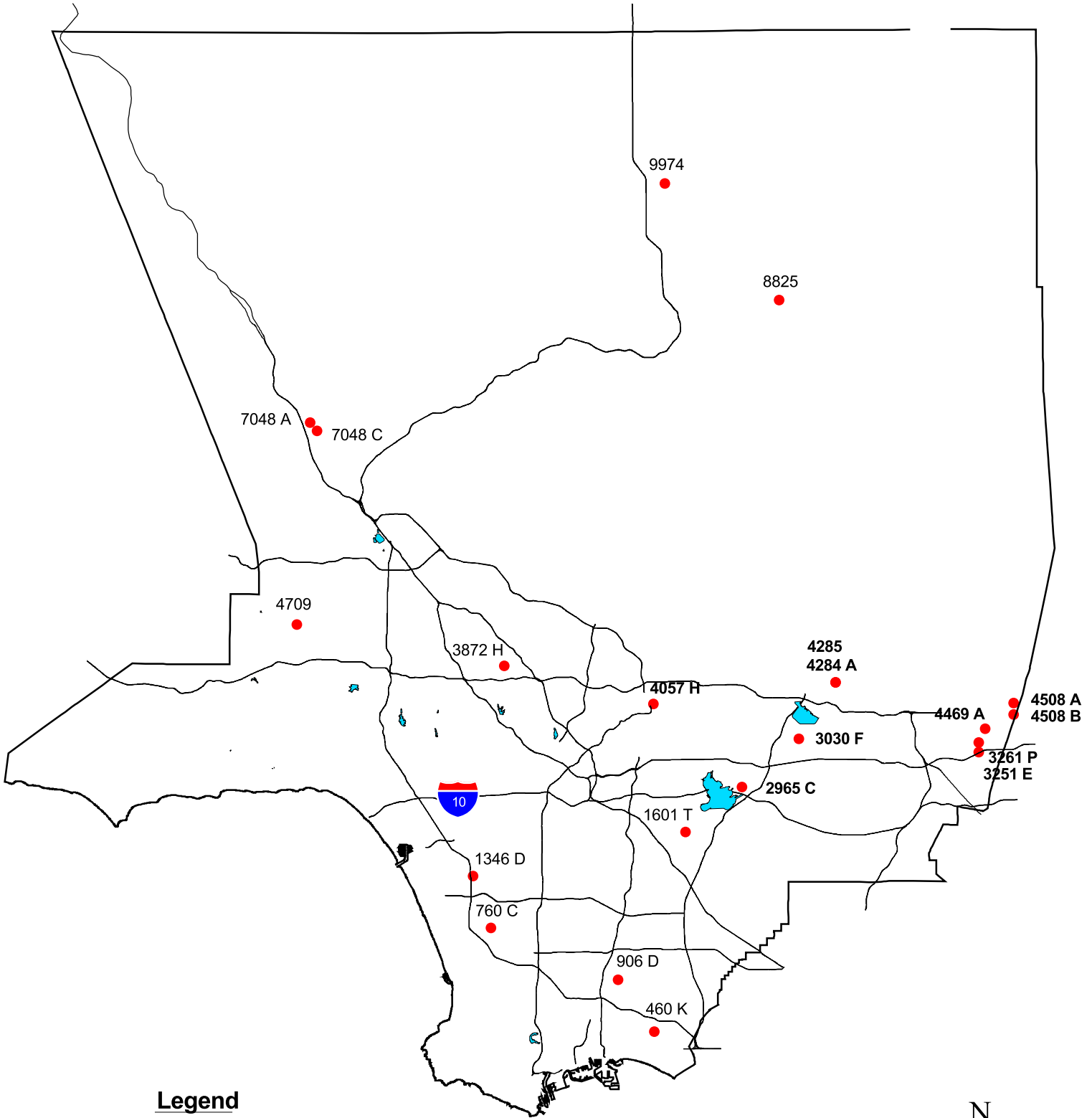
Public Works operates no spreading facilities in the Antelope Valley.

Key Well Nos. 9974 and 8825 are located in the Lancaster and Little Rock sub-basins, respectively.

WATER CONSERVATION

SUMMARY**SPREADING FACILITIES OWNED AND OPERATED BY THE DEPARTMENT**[See Appendix G](#)**NON DPW FACILITIES**[See Appendix H](#)**TOTAL MONTHLY WATER CONSERVED**[See Appendix I](#)**IMPORTED WATER OUTLET RELEASES**[See Appendix J](#)**RECLAIMED WATER**[See Appendix K](#)**GROUND WATER FLUCTUATION**[See Appendix L](#)

Location	Appendix L
Coastal Plain, City of Long Beach	Appendix L 01
Coastal Plain	Appendix L 02
Coastal Plain, City of Long Beach	Appendix L 03
Central Basin	Appendix L 04
Main San Gabriel Basin	Appendix L 05
Main San Gabriel Basin, Baldwin Park	Appendix L 06
Pomona Basin	Appendix L 07
San Fernando Valley, Canoga Park	Appendix L 08
San Fernando Valley, Burbank	Appendix L 09
Raymond Basin	Appendix L 10
San Gabriel Canyon Basin, North of Azusa	Appendix L 11
Upper Claremont Heights	Appendix L 12
Santa Clarita Valley, Near Castaic Junction	Appendix L 13
Little Rock, South of Palmdale	Appendix L 14
Antelope Valley, South of Lancaster	Appendix L 15



Legend

● Keywell Location



Not to scale

APPENDIX A

HYDROLOGIC REPORT 2005 –2006

PRECIPITATION – DAILY RAINFALL SUMMARY

PRECIPITATION

DAILY RAINFALL SUMMARY

5B **Calabasas**

Gage Type: Standard 8 inch diameter (DPW)

Observation Time: 800

Latitude 34-09-24

Longitude: 118-38-14

Elevation: 924 Feet

Water Year from 10/01/2005 to 09/30/2006

Day	Oct	Nov	Dec	Jan	Feb	Mar	Apr	May	Jun	Jul	Aug	Sep
1				0.41			0.42					
2			0.03	3.40								
3			0.01	0.04		0.55	0.10					
4							1.30					
5							0.65					
6						0.10						
7						0.10						
8												
9		0.50	0.02									
10		0.16				0.02						
11						0.18						
12						0.02						
13												
14				0.20			0.23					
15												
16												
17	0.77				0.18							
18	0.57				0.07	0.11						
19					0.38							
20												
21						0.33						
22								1.12				
23												
24												
25	0.01											
26			0.15									
27					0.55							
28			0.02		1.87	1.48						
29						0.61						
30												
31			0.44			0.01						
Totals	1.35	0.66	0.67	4.05	3.05	3.51	2.70	1.12	0.00	0.00	0.00	0.00
												Water Year Total: 17.11

NOTE: All Values are in units of inches, unless otherwise specified.

LEGEND: A - Acculated Total

 E - Estimated

 T - Trace, unmeasurable amount of rain

Data Revised: July 2011

PRECIPITATION

DAILY RAINFALL SUMMARY

11D Upper Franklin Canyon Reservoir

Gage Type: Standard 8 inch diameter

Observation Time: 800

Latitude 34-07-10

Longitude: 118-24-35

Elevation: 867 Feet

Water Year from 10/01/2005 to 09/30/2006

Day	Oct	Nov	Dec	Jan	Feb	Mar	Apr	May	Jun	Jul	Aug	Sep
1				0.70			0.37					
2				3.20								
3			0.03	0.60		0.93						
4						0.14	1.10					
5							1.30					
6							0.03					
7						0.19						
8												
9			0.04						0.03			
10		0.64										
11		0.02				0.37						
12						0.01						
13												
14												
15				0.15			0.35					
16												
17	0.13											
18	1.45				0.21	0.02						
19	0.03				0.30	0.01						
20												
21						0.63		0.01				
22								1.00				
23								0.01				
24												
25	0.08											
26			0.07									
27			0.02				0.03					
28					2.94	0.30						
29						1.88						
30												
31						0.01						
Totals	1.69	0.66	0.16	4.65	3.45	4.49	3.18	1.02	0.03	0.00	0.00	0.00
										Water Year Total:		19.33

NOTE: All Values are in units of inches, unless otherwise specified.

LEGEND: A - Acculated Total
 E - Estimated
 T - Trace, unmeasurable amount of rain

Data Revised: July 2011

PRECIPITATION

DAILY RAINFALL SUMMARY

13C North Hollywood-Lakeside

Gage Type: Standard 8 inch diameter (DPW)

Observation Time: 800

Latitude 34-08-46

Longitude: 118-21-13

Elevation: 550 Feet

Water Year from 10/01/2005 to 09/30/2006

Day	Oct	Nov	Dec	Jan	Feb	Mar	Apr	May	Jun	Jul	Aug	Sep
1				0.60			0.25					
2				0.90								
3				1.79		0.16						
4						0.57						
5							2.00					
6							0.11					
7						0.13						
8												
9			0.06									
10		0.50										
11		0.10				0.36						
12						0.03						
13												
14												
15				0.15			0.47					
16	0.10											
17	0.23											
18	1.04				0.17	0.02						
19	0.27				0.15							
20					0.16							
21						0.50						
22								0.35				
23	0.01							0.49				
24												
25	0.03											
26												
27							0.02					
28					2.95	1.74						
29												
30												
31												
Totals	1.68	0.60	0.06	3.44	3.43	3.51	2.85	0.84	0.00	0.00	0.00	0.00
											Water Year Total:	16.41

NOTE: All Values are in units of inches, unless otherwise specified.

LEGEND: A - Acculated Total
 E - Estimated
 T - Trace, unmeasurable amount of rain

Data Revised: July 2011

PRECIPITATION

DAILY RAINFALL SUMMARY

20B Girard Reservoir

Gage Type: Standard 8 inch diameter

Observation Time: 800

Latitude 34-09-07

Longitude: 118-36-36

Elevation: 986 Feet

Water Year from 10/01/2005 to 09/30/2006

Day	Oct	Nov	Dec	Jan	Feb	Mar	Apr	May	Jun	Jul	Aug	Sep
1				0.44			0.50					
2				3.73								
3			0.50	0.70		0.75						
4							0.67					
5							1.63					
6							0.70					
7						0.27						
8												
9		0.22	0.03									
10		0.42										
11		0.01				0.12	0.03					
12						0.14						
13												
14				0.15								
15				0.03			0.33					
16	0.01											
17	0.08											
18	1.03				0.20	0.20						
19					0.46	0.02						
20												
21						0.26		0.04				
22								0.23				
23								0.02				
24												
25	0.01											
26	0.01		0.12									
27												
28					2.50	0.90			0.01			
29			0.01			1.90						
30												
31												
Totals	1.14	0.65	0.66	5.05	3.16	4.56	3.86	0.29	0.01	0.00	0.00	0.00
												Water Year Total: 19.38

NOTE: All Values are in units of inches, unless otherwise specified.

LEGEND: A - Acculated Total

E - Estimated

T - Trace, unmeasurable amount of rain

Data Revised: July 2011

PRECIPITATION

DAILY RAINFALL SUMMARY

21B Woodland Hills

Gage Type: Standard 8 inch diameter (DPW)

Observation Time: 800

Latitude 34-10-14

Longitude: 118-35-33

Elevation: 875 Feet

Water Year from 10/01/2005 to 09/30/2006

Day	Oct	Nov	Dec	Jan	Feb	Mar	Apr	May	Jun	Jul	Aug	Sep
1				0.44			0.43					
2			0.03	2.46								
3				0.04		0.51	0.08					
4							1.12					
5							0.67					
6						0.13						
7						0.11						
8												
9		0.38										
10		0.07				0.04						
11						0.25						
12						0.05						
13												
14				0.17			0.27					
15							0.02					
16	0.05											
17	0.71				0.02	0.11						
18	0.43				0.17	0.01						
19					0.35	0.09						
20					0.02	0.01						
21						0.27		0.02				
22								0.89				
23												
24												
25												
26			0.15									
27					0.48		0.01					
28			0.02		1.72	1.34						
29						0.54						
30												
31			0.47									
Totals	1.19	0.45	0.67	3.11	2.76	3.46	2.60	0.91	0.00	0.00	0.00	0.00
											Water Year Total:	15.15

NOTE: All Values are in units of inches, unless otherwise specified.

LEGEND: A - Acculated Total
 E - Estimated
 T - Trace, unmeasurable amount of rain

Data Revised: July 2011

PRECIPITATION

DAILY RAINFALL SUMMARY

23B Chatsworth Reservoir

Gage Type: Standard 8 inch diameter

Observation Time: 800

Latitude 34-13-44

Longitude: 118-37-18

Elevation: 900 Feet

Water Year from 10/01/2005 to 09/30/2006

Day	Oct	Nov	Dec	Jan	Feb	Mar	Apr	May	Jun	Jul	Aug	Sep
1				0.75			0.50					
2			0.08	0.77		0.11						
3			0.01	1.02		0.07						
4							0.29					
5							1.35					
6							0.02					
7						0.21						
8												
9		0.17										
10		0.08										
11						0.12						
12						0.10						
13						0.08						
14												
15				0.13			0.25					
16												
17	1.04											
18	0.51				0.18	0.16						
19					0.33	0.06						
20												
21						0.28						
22								0.70				
23								0.19				
24												
25	0.01											
26			0.14									
27			0.01									
28					2.73	0.32						
29			0.01			1.80						
30												
31			0.01									
Totals	1.56	0.25	0.26	2.67	3.24	3.31	2.41	0.89	0.00	0.00	0.00	0.00
												Water Year Total: 14.59

NOTE: All Values are in units of inches, unless otherwise specified.

LEGEND: A - Acculated Total

E - Estimated

T - Trace, unmeasurable amount of rain

Data Revised: July 2011

PRECIPITATION

DAILY RAINFALL SUMMARY

25C Northridge-L.A.D.W.P.

Gage Type: Standard 8 inch diameter

Observation Time: 800

Latitude 34-13-52

Longitude: 118-32-28

Elevation: 810 Feet

Water Year from 10/01/2005 to 09/30/2006

Day	Oct	Nov	Dec	Jan	Feb	Mar	Apr	May	Jun	Jul	Aug	Sep
1				0.51			0.51					
2				0.89								
3			0.10	1.11		0.35						
4						0.06	0.17					
5			0.03	0.11			1.48					
6				0.02			0.04					
7						0.29						
8												
9			0.01									
10		0.45										
11		0.04				0.21						
12						0.08						
13												
14												
15				0.16			0.20					
16												
17												
18	1.58				0.14	0.08						
19	0.12				0.37							
20												
21						0.32		0.01				
22								0.54				
23								0.20				
24												
25												
26			0.12									
27			0.03									
28					2.20	0.34						
29			0.01				1.44					
30												
31												
Totals	1.70	0.49	0.30	2.80	2.71	3.17	2.40	0.75	0.00	0.00	0.00	0.00
											Water Year Total:	14.32

NOTE: All Values are in units of inches, unless otherwise specified.

LEGEND: A - Acculated Total
 E - Estimated
 T - Trace, unmeasurable amount of rain

Data Revised: July 2011

PRECIPITATION

DAILY RAINFALL SUMMARY

33A Pacoima Dam

Gage Type: Standard 8 inch diameter (DPW)

Observation Time: 800

Latitude 34-19-48

Longitude: 118-23-59

Elevation: 1500 Feet

Water Year from 10/01/2005 to 09/30/2006

Day	Oct	Nov	Dec	Jan	Feb	Mar	Apr	May	Jun	Jul	Aug	Sep
1				1.14			0.64					
2			T	0.70			0.01					
3			0.19	0.91		0.54						
4						0.21	0.17				0.02	
5						T	1.72					
6							0.24					
7						0.33						
8												
9			0.04									
10		0.16										
11		0.07				0.16	0.10					
12						0.14			0.04			
13						0.03						
14												
15				0.25			0.26					0.02
16	0.01						T					
17	0.46											
18	1.69				0.22	0.16						
19	0.09				0.37	0.19						
20					T							
21						0.53						
22								0.32				
23							0.01	0.65				
24												
25	0.16											
26			0.05									
27			0.14					T				
28					2.33	0.37						
29						1.68						
30												
31												
Totals	2.41	0.23	0.42	3.00	2.92	4.34	3.15	0.97	0.04	0.00	0.02	0.02
												Water Year Total: 17.52

NOTE: All Values are in units of inches, unless otherwise specified.

LEGEND: A - Acculated Total
 E - Estimated
 T - Trace, unmeasurable amount of rain

Data Revised: July 2011

PRECIPITATION

DAILY RAINFALL SUMMARY

42C Redondo Beach-City Hall

Gage Type: Standard 8 inch diameter

Observation Time: 800

Latitude 33-50-43

Longitude: 118-23-20

Elevation: 70 Feet

Water Year from 10/01/2005 to 09/30/2006

Day	Oct	Nov	Dec	Jan	Feb	Mar	Apr	May	Jun	Jul	Aug	Sep
1				0.29			0.17					
2			0.06	1.03				0.01				
3					0.01	0.34	0.01					
4							0.53				0.02	
5							0.11					
6					0.01	0.21						
7												
8									0.04			
9		0.44	0.03						0.01			
10		0.10				0.05						
11						0.05						
12												
13												
14							0.29					
15												
16	0.23											
17	0.36				0.04	0.03						
18	0.34				0.14							
19					0.14							
20						0.15						
21								0.21				
22	0.01						0.01	0.31				
23							0.12			0.01		
24	0.02											
25												
26			0.02									
27					0.85	0.02						
28					0.46	1.10						
29						0.05						
30												
31			0.42			0.01						
Totals	0.96	0.54	0.53	1.32	1.65	2.01	1.24	0.53	0.05	0.01	0.02	0.00
										Water Year Total:		8.86

NOTE: All Values are in units of inches, unless otherwise specified.

LEGEND: A - Acculated Total
 E - Estimated
 T - Trace, unmeasurable amount of rain

Data Revised: July 2011

PRECIPITATION

DAILY RAINFALL SUMMARY

43D Palos Verdes Estates

Gage Type: Standard 8 inch diameter (DPW)

Observation Time: 800

Latitude 33-47-58

Longitude: 118-23-29

Elevation: 216 Feet

Water Year from 10/01/2005 to 09/30/2006

Day	Oct	Nov	Dec	Jan	Feb	Mar	Apr	May	Jun	Jul	Aug	Sep
1				0.43			0.23					
2				0.82								
3				0.95		0.55E	0.02					
4							0.56					
5							0.32					
6						0.08E						
7												
8												
9		0.52										
10						0.06E						
11						0.05E						
12												
13												
14							0.22					
15				0.10			0.09					
16												
17	0.59					0.09E						
18	0.46				0.20							
19					0.41							
20						0.25E						
21												
22								0.85				
23							0.42					
24												
25												
26			0.06									
27												
28					1.36	0.17E						
29						1.10E						
30												
31												
Totals	1.05	0.52	0.06	2.30	1.97	2.35	1.86	0.85	0.00	0.00	0.00	0.00
											Water Year Total:	10.96

NOTE: All Values are in units of inches, unless otherwise specified.

LEGEND: A - Acculated Total

E - Estimated

T - Trace, unmeasurable amount of rain

Data Revised: July 2011

PRECIPITATION

DAILY RAINFALL SUMMARY

46D Big Tujunga Dam

Gage Type: Standard 8 inch diameter (DPW)

Observation Time: 800

Latitude 34-17-40

Longitude: 118-11-14

Elevation: 2315 Feet

Water Year from 10/01/2005 to 09/30/2006

Day	Oct	Nov	Dec	Jan	Feb	Mar	Apr	May	Jun	Jul	Aug	Sep
1				1.00		0.04	0.43					
2				2.41								
3			0.05	3.80		0.56						
4						0.88	0.20					
5							2.74					
6							0.24					
7						0.25						
8												
9			0.05									
10		0.03										
11		0.10				0.34						
12						0.34						
13						0.19						
14												
15				0.15			0.69					
16												
17												
18	1.01				0.55	0.11						
19	T				0.28	0.16						
20						T						
21						0.93						
22								0.54				
23							0.05	0.13				
24												
25												
26						0.03	0.10					
27			T				T					
28					4.65	0.38						
29						2.20						
30												
31			0.03									
Totals	1.01	0.13	0.13	7.36	5.48	6.41	4.45	0.67	0.00	0.00	0.00	0.00
											Water Year Total:	25.64

NOTE: All Values are in units of inches, unless otherwise specified.

LEGEND: A - Acculated Total

E - Estimated

T - Trace, unmeasurable amount of rain

Data Revised: July 2011

PRECIPITATION

DAILY RAINFALL SUMMARY

63C Santa Anita Dam

Gage Type: Standard 8 inch diameter (DPW)

Observation Time: 800

Latitude 34-11-03

Longitude: 118-01-12

Elevation: 1400 Feet

Water Year from 10/01/2005 to 09/30/2006

Day	Oct	Nov	Dec	Jan	Feb	Mar	Apr	May	Jun	Jul	Aug	Sep
1				1.17		0.02	0.69					
2				2.12			0.13					
3			0.13	2.03		0.26		T				
4						0.58	0.04					
5							2.80					
6							0.45					
7						1.23						
8						T						
9			0.03									
10		0.09				0.30						
11		T				0.39	0.01					
12						0.14						
13												
14												
15				0.08			1.80					0.09
16	0.52											
17	1.61											
18	0.99				0.29	0.10						
19	0.41				0.20	0.66						
20					0.12	0.15						
21	T					0.93						
22								0.34				
23							0.10	0.59				
24												
25	0.13					0.03						
26			0.03				0.02					
27			0.01				0.01	0.23				
28	0.06				3.91	0.32	T					
29	T					2.19						
30												
31												
Totals	3.72	0.09	0.20	5.40	4.52	7.30	6.05	1.16	0.00	0.00	0.00	0.09
Water Year Total:												28.53

NOTE: All Values are in units of inches, unless otherwise specified.

LEGEND: A - Acculated Total

E - Estimated

T - Trace, unmeasurable amount of rain

Data Revised: July 2011

PRECIPITATION

DAILY RAINFALL SUMMARY

82F Table Mountain

Gage Type: Standard 8 inch diameter (DPW)

Observation Time: 800

Latitude 34-22-56

Longitude: 117-40-39

Elevation: 7420 Feet

Water Year from 10/01/2005 to 09/30/2006

Day	Oct	Nov	Dec	Jan	Feb	Mar	Apr	May	Jun	Jul	Aug	Sep
1												
2				1.55								
3						T						
4												
5							1.34					
6						T						
7												
8			T									
9			T									
10												
11												
12						0.26						
13												T
14												
15												
16												
17	1.23					T						
18	0.83			T								
19												
20					0.60	0.42						
21										T		
22							T					
23										T		
24												
25												
26												
27						1.15						
28			T		2.39							
29												
30												T
31												
Totals	2.06	0.00	0.00	1.55	2.99	1.83	1.34	0.00	0.00	0.00	0.00	0.00
												Water Year Total: 9.77

NOTE: All Values are in units of inches, unless otherwise specified.

LEGEND: A - Acculated Total
 E - Estimated
 T - Trace, unmeasurable amount of rain

Data Revised: July 2011

PRECIPITATION

DAILY RAINFALL SUMMARY

89B **San Dimas Dam**

Gage Type: Standard 8 inch diameter (DPW)

Observation Time: 800

Latitude 34-09-10

Longitude: 117-46-17

Elevation: 1350 Feet

Water Year from 10/01/2005 to 09/30/2006

Day	Oct	Nov	Dec	Jan	Feb	Mar	Apr	May	Jun	Jul	Aug	Sep
1				1.02		0.01	0.64					
2				0.20			0.14					
3			0.02	1.50		0.04		T				
4						0.58	0.03				T	
5							2.86					
6							0.57					
7						0.34						
8						0.03						
9			0.10									
10		T				0.02						
11						0.24	0.04					
12						0.14						
13						0.16						
14												
15					0.02		2.88					0.04E
16	0.13				T		0.01					
17	0.71											
18	0.79				0.37	0.50						
19	0.02				0.23	0.17						
20					0.14	0.14						
21						0.92						
22								0.41				
23							0.07	0.32				
24												
25	0.02											
26			0.03			T	0.03	T				
27							0.02	0.03				
28	0.02				3.17	0.27	0.04	0.08				
29			T			2.36	T					
30										0.02		
31			0.26									
Totals	1.69	0.00	0.41	2.72	3.93	5.92	7.33	0.84	0.00	0.02	0.00	0.04
											Water Year Total:	22.90

NOTE: All Values are in units of inches, unless otherwise specified.

LEGEND: A - Acculated Total

 E - Estimated

 T - Trace, unmeasurable amount of rain

Data Revised: July 2011

PRECIPITATION

DAILY RAINFALL SUMMARY

93C Claremont-Police Station

Gage Type: Standard 8 inch diameter (DPW)

Observation Time: 800

Latitude 34-05-45

Longitude: 117-43-18

Elevation: 1170 Feet

Water Year from 10/01/2005 to 09/30/2006

Day	Oct	Nov	Dec	Jan	Feb	Mar	Apr	May	Jun	Jul	Aug	Sep
1				0.19			0.34					
2				1.11								
3						0.37						
4							1.04					
5							1.28					
6						0.06						
7						0.19						
8			0.01			0.01						
9												
10						0.10						
11						0.44						
12						0.02						
13												
14				0.03			0.75					
15							0.02					
16												
17	1.48											
18	0.51				0.33	0.45						
19					0.43							
20						0.48						
21						0.64						
22								0.53				
23							0.04			0.10		
24												
25												
26			0.01									
27					0.23							
28					2.35	0.88						
29						1.13						
30												
31			0.68									
Totals	1.99	0.00	0.70	1.33	3.34	4.77	3.47	0.53	0.00	0.10	0.00	0.00
											Water Year Total:	16.23

NOTE: All Values are in units of inches, unless otherwise specified.

LEGEND: A - Acculated Total

E - Estimated

T - Trace, unmeasurable amount of rain

Data Revised: July 2011

PRECIPITATION

DAILY RAINFALL SUMMARY

95 San Dimas-Fire Warden

Gage Type: Standard 8 inch diameter (DPW)

Observation Time: 800

Latitude 34-06-26

Longitude: 117-48-19

Elevation: 955 Feet

Water Year from 10/01/2005 to 09/30/2006

Day	Oct	Nov	Dec	Jan	Feb	Mar	Apr	May	Jun	Jul	Aug	Sep
1				A								
2				A			0.52					
3			0.16E	2.00A								
4							2.42					
5							0.38					
6						T						
7						0.29						
8												
9			0.07E									
10						0.23						
11												
12												
13						0.12						
14												
15				T								
16	0.23E											
17	1.09E						1.05					
18	0.23E				0.43	0.49						
19					0.22	0.06						
20					0.19							
21												
22							0.10					
23								0.46				
24												
25												
26			0.02E			0.06						
27			0.02E									
28					2.35					0.13		
29						2.28	0.04					
30												
31												
Totals	1.55	0.00	0.27	2.00	3.19	3.53	4.51	0.46	0.00	0.13	0.00	0.00
												Water Year Total: 15.64

NOTE: All Values are in units of inches, unless otherwise specified.

LEGEND: A - Acculated Total

E - Estimated

T - Trace, unmeasurable amount of rain

Data Revised: July 2011

PRECIPITATION

DAILY RAINFALL SUMMARY

96C Puddingstone Dam

Gage Type: Standard 8 inch diameter (DPW)

Observation Time: 800

Latitude 34-05-31

Longitude: 117-48-24

Elevation: 1030 Feet

Water Year from 10/01/2005 to 09/30/2006

Day	Oct	Nov	Dec	Jan	Feb	Mar	Apr	May	Jun	Jul	Aug	Sep
1				0.86		0.01	0.32					
2				0.21			0.14					
3			0.16	0.89		0.01		T				
4						0.50						
5							2.21					
6							0.14					
7						0.37						
8						T				T		
9			0.07					T	T			
10						0.03						
11						0.15	T					
12						0.10			0.01			
13						0.04						
14												
15				0.02			0.82					
16	0.31						0.01					
17	1.15											
18	0.63				0.40	0.55						
19	0.03				0.20	0.06						
20					0.18	0.02						
21	0.01					0.66						
22								0.30				
23							0.09	0.14		T		
24										0.05		
25	T											
26			0.02			0.08						
27			0.02					0.01				
28					2.30	0.17	0.01					
29						1.79						
30										T		
31						T						
Totals	2.13	0.00	0.27	1.98	3.08	4.54	3.74	0.45	0.01	0.05	0.00	0.00
												Water Year Total: 16.25

NOTE: All Values are in units of inches, unless otherwise specified.

LEGEND: A - Acculated Total
 E - Estimated
 T - Trace, unmeasurable amount of rain

Data Revised: July 2011

PRECIPITATION

DAILY RAINFALL SUMMARY

106F Whittier City Yard

Gage Type: Standard 8 inch diameter (DPW)

Observation Time: 800

Latitude 33-58-57

Longitude: 118-02-50

Elevation: 300 Feet

Water Year from 10/01/2005 to 09/30/2006

Day	Oct	Nov	Dec	Jan	Feb	Mar	Apr	May	Jun	Jul	Aug	Sep
1				0.19			0.13					
2				0.91								
3				0.01			0.01					
4							0.97					
5							0.26					
6												
7												
8												
9												
10						0.08						
11						0.02						
12												
13												
14				0.06			0.22					
15							0.03					
16												
17	0.79				0.05	0.16						
18	0.22				0.09	0.07						
19	0.02				0.22	0.01						
20	0.34					0.45						
21						0.03						
22								0.61				
23							0.07			0.14		
24												
25						0.07						
26							0.05					
27					0.75	0.02						
28					0.73	1.16						
29						0.28						
30												
31			0.92									
Totals	1.37	0.00	0.92	1.17	1.84	2.35	1.74	0.61	0.00	0.14	0.00	0.00
											Water Year Total:	10.14

NOTE: All Values are in units of inches, unless otherwise specified.

LEGEND: A - Acculated Total
 E - Estimated
 T - Trace, unmeasurable amount of rain

Data Revised: July 2011

PRECIPITATION

DAILY RAINFALL SUMMARY

107D Downey-Fire Department

Gage Type: Standard 8 inch diameter (DPW)

Observation Time: 800

Latitude 33-55-48

Longitude: 118-08-47

Elevation: 110 Feet

Water Year from 10/01/2005 to 09/30/2006

Day	Oct	Nov	Dec	Jan	Feb	Mar	Apr	May	Jun	Jul	Aug	Sep
1				1.00			0.20					
2				1.75								
3						0.65						
4												
5							1.20					
6												
7												
8												
9			0.12									
10												
11						0.55						
12						T						
13												
14												
15												
16												
17	0.10											
18	0.72											
19	0.02				0.35							
20												
21												
22							0.70					
23												
24												
25												
26												
27						0.35						
28					1.85	0.45						
29						1.35						
30												E
31												
Totals	0.84	0.00	0.12	2.75	2.20	3.35	1.40	0.70	0.00	0.00	0.00	0.00
												Water Year Total: 11.36

NOTE: All Values are in units of inches, unless otherwise specified.

LEGEND: A - Acculated Total

E - Estimated

T - Trace, unmeasurable amount of rain

Data Revised: July 2011

PRECIPITATION

DAILY RAINFALL SUMMARY

108D El Monte Fire Station

Gage Type: Standard 8 inch diameter (DPW)

Observation Time: 800

Latitude 34-04-30

Longitude: 118-02-30

Elevation: 275 Feet

Water Year from 10/01/2005 to 09/30/2006

Day	Oct	Nov	Dec	Jan	Feb	Mar	Apr	May	Jun	Jul	Aug	Sep
1				0.16			0.13E					
2				1.01		0.05E						
3						0.50E	T					
4							1.33E					
5												
6						0.28E						
7												
8			0.07									
9		T										
10		0.02E				0.12E						
11						0.05E						
12						0.02E						
13												
14				0.12			0.80E					
15												
16	A											0.05
17	A				0.12E	0.28E						
18	1.90A				0.23E	0.07E						
19					0.05E	0.01E						
20						0.47E						
21								0.36E				
22							0.13E	0.14E				
23												
24												
25						0.02E						
26								0.01E				
27					2.06E	0.26E						
28					0.02E	1.27E						
29												
30												
31						0.31E						
Totals	1.90	0.02	0.07	1.29	2.48	3.71	2.39	0.51	0.00	0.00	0.00	0.05
												Water Year Total: 12.42

NOTE: All Values are in units of inches, unless otherwise specified.

LEGEND: A - Acculated Total
 E - Estimated
 T - Trace, unmeasurable amount of rain

Data Revised: July 2011

PRECIPITATION

DAILY RAINFALL SUMMARY

109D West Arcadia

Gage Type: Standard 8 inch diameter (DPW)

Observation Time: 800

Latitude 34-07-42

Longitude: 118-04-22

Elevation: 547 Feet

Water Year from 10/01/2005 to 09/30/2006

Day	Oct	Nov	Dec	Jan	Feb	Mar	Apr	May	Jun	Jul	Aug	Sep
1				0.95			0.44					
2				1.05			1.25					
3								0.02				
4							0.20					
5							2.11					
6							0.20					
7						0.97						
8												
9			0.10									
10		0.09E										
11						0.32						
12						0.09						
13						0.03						
14				1.35								
15							0.98					
16	0.08											
17	0.75				0.35	0.21						
18	1.25											
19	0.05				0.28	0.10						
20												
21						0.22						
22								0.45				
23								0.25				
24												
25												
26												
27												
28					2.98	0.22	0.05					
29						1.57						
30												
31												
Totals	2.13	0.09	0.10	3.35	3.61	3.73	5.23	0.72	0.00	0.00	0.00	0.00
											Water Year Total:	18.96

NOTE: All Values are in units of inches, unless otherwise specified.

LEGEND: A - Acculated Total

E - Estimated

T - Trace, unmeasurable amount of rain

Data Revised: July 2011

PRECIPITATION

DAILY RAINFALL SUMMARY

120 Vincent Patrol Station

Gage Type: Standard 8 inch diameter (DPW)

Observation Time: 800

Latitude 34-29-17

Longitude: 118-08-27

Elevation: 3135 Feet

Water Year from 10/01/2005 to 09/30/2006

Day	Oct	Nov	Dec	Jan	Feb	Mar	Apr	May	Jun	Jul	Aug	Sep
1				0.15			0.49					
2			0.14	0.86								
3				0.44								
4						0.16	0.06					
5							1.00					
6				0.01			0.79					
7						0.10						
8												
9												
10												
11												
12						0.22						
13												
14							0.07					
15							0.11					
16						0.04						
17												
18	1.50				0.25	0.14						
19	0.01				0.02							
20												
21												
22								0.12		0.05		
23												
24												
25												
26												
27							0.01					
28												
29												
30												
31												
Totals	1.51	0.00	0.14	1.46	0.27	0.66	2.53	0.12	0.00	0.05	0.00	0.00
												Water Year Total: 6.74

NOTE: All Values are in units of inches, unless otherwise specified.

LEGEND: A - Acculated Total
 E - Estimated
 T - Trace, unmeasurable amount of rain

Data Revised: July 2011

PRECIPITATION

DAILY RAINFALL SUMMARY

125B San Francisquito Canyon Ph#1 - Saugus

Gage Type: Standard 8 inch diameter

Observation Time: 800

Latitude 34-35-25

Longitude: 118-27-15

Elevation: 2105 Feet

Water Year from 10/01/2005 to 09/30/2006

Day	Oct	Nov	Dec	Jan	Feb	Mar	Apr	May	Jun	Jul	Aug	Sep
1				0.19		0.07						
2			0.30	2.25			T		0.03			
3			0.03	0.27		0.47	0.08					
4			0.01				0.77					
5							1.74					
6							0.03					
7						0.30						
8												
9		0.03	0.01									
10		0.08				0.03						
11		T				0.40	0.19					
12						0.38						
13						0.38						
14				0.18			0.46					
15							0.72					0.09
16	0.02											
17	0.48					0.06						
18	1.97				0.44	0.11						
19	0.01				0.31							
20	0.01				0.02	0.01						
21						0.58		0.03		0.15		
22								0.37		0.06		
23							0.06	0.01				
24							0.02					
25	0.05				0.41							
26			0.07				0.02					
27	0.01				0.18							
28			0.05		1.98	0.75						
29						1.35						
30						0.02						
31			0.51			0.02						
Totals	2.55	0.11	0.98	2.89	3.34	4.93	4.09	0.41	0.03	0.21	0.00	0.09
											Water Year Total:	19.63

NOTE: All Values are in units of inches, unless otherwise specified.

LEGEND: A - Acculated Total
 E - Estimated
 T - Trace, unmeasurable amount of rain

Data Revised: July 2011

PRECIPITATION

DAILY RAINFALL SUMMARY

134C Puddingstone Diversion

Gage Type: Standard 8 inch diameter (DPW)

Observation Time: 800

Latitude 34-07-52

Longitude: 117-46-55

Elevation: 1160 Feet

Water Year from 10/01/2005 to 09/30/2006

Day	Oct	Nov	Dec	Jan	Feb	Mar	Apr	May	Jun	Jul	Aug	Sep
1				0.87			0.40					
2				0.12			0.15					
3			0.04	0.85		0.02		0.01				
4						0.43	0.01					
5							2.42					
6							0.28					
7						0.27						
8												
9			0.09									
10		T				0.05						
11						0.10	0.01					
12						0.10			0.01			
13						0.10						
14												
15					T		1.42					0.04
16	0.22						T					
17	1.01											
18	0.77				0.33	0.48						
19	0.04				0.19	0.22						
20					0.13	0.04						
21						0.75						
22								0.36				
23							0.05	0.25				
24										0.03		
25	0.03											
26			0.03			T	T	0.02				
27			T				T	0.03				
28					2.47	0.26	0.02	0.04				
29						2.78						
30										0.03		
31										T		
Totals	2.07	0.00	0.16	1.84	3.12	5.60	4.76	0.71	0.01	0.06	0.00	0.04
												Water Year Total: 18.37

NOTE: All Values are in units of inches, unless otherwise specified.

LEGEND: A - Acculated Total

E - Estimated

T - Trace, unmeasurable amount of rain

Data Revised: July 2011

PRECIPITATION

DAILY RAINFALL SUMMARY

144 Sierra Madre Dam

Gage Type: Standard 8 inch diameter (DPW)

Observation Time: 800

Latitude 34-10-34

Longitude: 118-02-32

Elevation: 1100 Feet

Water Year from 10/01/2005 to 09/30/2006

Day	Oct	Nov	Dec	Jan	Feb	Mar	Apr	May	Jun	Jul	Aug	Sep
1				1.05			0.53					
2				1.23			0.15					
3			0.13	2.36		0.23		0.04				
4						0.48						
5							2.85					
6							0.64					
7						0.27	0.64					
8										0.05		
9			0.07									
10		0.02										
11						0.35	0.02					
12						0.10				0.06		
13												
14												
15				0.10			1.20					
16	0.59											
17	1.38											
18	1.11				0.30	0.08						
19	0.34				0.11	0.30						
20					0.23	0.07						
21						0.94						
22								0.36				
23							0.05					
24												
25	0.14											
26			0.06									
27	0.02						0.01	0.14				
28					3.57	0.27	0.01					
29						2.20						
30												
31												
Totals	3.58	0.02	0.26	4.74	4.21	5.29	6.10	0.54	0.11	0.00	0.00	0.00
										Water Year Total:		24.85

NOTE: All Values are in units of inches, unless otherwise specified.

LEGEND: A - Acculated Total

E - Estimated

T - Trace, unmeasurable amount of rain

Data Revised: July 2011

PRECIPITATION

DAILY RAINFALL SUMMARY

167C **Arcadia Pumping Plant #1**

Gage Type: Standard 8 inch diameter

Observation Time: 800

Latitude 34-09-31

Longitude: 118-02-02

Elevation: 611 Feet

Water Year from 10/01/2005 to 09/30/2006

Day	Oct	Nov	Dec	Jan	Feb	Mar	Apr	May	Jun	Jul	Aug	Sep
1				0.13			0.65					
2			0.07	2.15								
3						0.84						
4												
5							2.30					
6							1.60					
7						0.32						
8												
9		0.04										
10		0.02				0.06				0.02		
11						0.47						
12												
13						0.01						
14				0.09			0.22					
15							0.91					
16	0.48											
17	2.04					0.23						
18	0.31				0.90	0.22						
19								0.07				
20						0.05	0.20					
21						0.88						
22												
23							0.03					
24												
25	0.60								0.10			
26												
27					0.40		0.06					
28					3.50	1.57						
29						0.22						
30												
31			0.95									
Totals	3.43	0.06	1.02	2.37	4.80	4.87	5.77	0.27	0.10	0.02	0.00	0.00
										Water Year Total:		22.71

NOTE: All Values are in units of inches, unless otherwise specified.

LEGEND: A - Acculated Total

 E - Estimated

 T - Trace, unmeasurable amount of rain

Data Revised: July 2011

PRECIPITATION

DAILY RAINFALL SUMMARY

169 Sierra Madre Pumping Plant

Gage Type: Standard 8 inch diameter

Observation Time: 800

Latitude 34-09-47

Longitude: 118-02-21

Elevation: 700 Feet

Water Year from 10/01/2005 to 09/30/2006

Day	Oct	Nov	Dec	Jan	Feb	Mar	Apr	May	Jun	Jul	Aug	Sep
1				1.03			0.53					
2				1.03			0.15					
3			0.08E	2.05		0.36		0.02				
4						0.52						
5							2.85					
6							0.64					
7						0.28	0.64					
8										0.04		
9		0.01E	0.04E									
10		0.05E										
11						0.50	0.02					
12						0.14						
13												
14												
15				0.10			1.20					
16	0.53											
17	1.44											
18	1.22				0.27	0.17						
19	0.37				0.12	0.30						
20					0.19	0.10						
21						0.94						
22								0.42				
23							0.05					
24												
25	0.09											
26			0.02E									
27	0.02						0.01	0.12				
28					3.72	0.27	0.01					
29						2.10						
30												
31												
Totals	3.67	0.06	0.14	4.21	4.30	5.68	6.10	0.56	0.04	0.00	0.00	0.00
												Water Year Total: 24.76

NOTE: All Values are in units of inches, unless otherwise specified.

LEGEND: A - Acculated Total
 E - Estimated
 T - Trace, unmeasurable amount of rain

Data Revised: July 2011

PRECIPITATION

DAILY RAINFALL SUMMARY

170F Potrero Heights

Gage Type: Standard 8 inch diameter (DPW)

Observation Time: 800

Latitude 34-02-32

Longitude: 118-04-44

Elevation: 285 Feet

Water Year from 10/01/2005 to 09/30/2006

Day	Oct	Nov	Dec	Jan	Feb	Mar	Apr	May	Jun	Jul	Aug	Sep
1				0.20		0.02	0.60					
2				1.34								
3			0.14			0.80						
4							0.85					
5							0.98					
6						0.05						
7						0.20						
8												
9			0.10									
10		0.04										
11						0.15						
12												
13												
14				0.09			0.40					
15				0.01			0.30					
16												
17	1.18					0.17						
18	0.32				0.03							
19					0.25	0.11						
20												
21						0.48						
22								0.50				
23							0.12					
24												
25												
26			0.02									
27							0.02					
28					2.20	0.63						
29						0.87						
30												
31			1.38									
Totals	1.50	0.04	1.64	1.64	2.48	3.48	3.27	0.50	0.00	0.00	0.00	0.00
											Water Year Total:	14.55

NOTE: All Values are in units of inches, unless otherwise specified.

LEGEND: A - Acculated Total
 E - Estimated
 T - Trace, unmeasurable amount of rain

Data Revised: July 2011

PRECIPITATION

DAILY RAINFALL SUMMARY

174B **Glendora**

Gage Type: Standard 8 inch diameter (DPW)

Observation Time: 800

Latitude 34-07-43

Longitude: 117-49-08

Elevation: 930 Feet

Water Year from 10/01/2005 to 09/30/2006

Day	Oct	Nov	Dec	Jan	Feb	Mar	Apr	May	Jun	Jul	Aug	Sep
1				1.00E			0.61					
2				0.14E								
3			0.09E	0.97E		0.19E	0.01					
4												
5							1.75					
6												
7						0.44E						
8												
9			0.07E									
10												
11						0.19E						
12						0.03E			0.10			
13						0.17E						
14				0.01E								
15						T	0.50					
16												
17	1.25						1.19E					
18	0.75				0.25E	0.45E						
19					0.22E	0.24E						
20					0.26E	0.02E		0.50				
21						0.83E						
22							0.11E					
23												
24												
25												
26			0.02E			0.02E						
27			T									
28					2.81E	0.18E	0.03					
29						2.43E						
30		E										
31												
Totals	2.00	0.00	0.18	2.12	3.54	5.19	4.20	0.50	0.10	0.00	0.00	0.00
	Water Year Total:											17.83

NOTE: All Values are in units of inches, unless otherwise specified.

LEGEND: A - Acculated Total

 E - Estimated

 T - Trace, unmeasurable amount of rain

Data Revised: July 2011

PRECIPITATION

DAILY RAINFALL SUMMARY

175B La Canada Irrigation District

Gage Type: Standard 8 inch diameter (DPW)

Observation Time: 800

Latitude 34-13-39

Longitude: 118-12-40

Elevation: 2020 Feet

Water Year from 10/01/2005 to 09/30/2006

Day	Oct	Nov	Dec	Jan	Feb	Mar	Apr	May	Jun	Jul	Aug	Sep
1							0.73					
2				1.78			0.01					
3			0.19	2.05		0.39		T				
4						0.32	0.12					
5							2.31				0.04	
6							0.18					
7						0.37						
8												
9			0.07									
10		0.28										
11						1.45						
12						0.23						
13						0.03						
14												
15				0.35			0.87					0.22
16	0.20											
17	1.07											
18	1.40				0.42	0.04						
19	0.03				0.29	0.03						
20												
21						0.80						
22								0.46				
23							0.02					
24												
25	0.33											
26			0.05									
27			0.02					0.07				
28					3.80	0.43						
29						2.45						
30						0.02						
31			1.74									
Totals	3.03	0.28	2.07	4.18	4.51	6.56	4.24	0.53	0.00	0.00	0.04	0.22
	Water Year Total:											25.66

NOTE: All Values are in units of inches, unless otherwise specified.

LEGEND: A - Acculated Total

E - Estimated

T - Trace, unmeasurable amount of rain

Data Revised: July 2011

PRECIPITATION

DAILY RAINFALL SUMMARY

176 Altadena-Rubio Canyon

Gage Type: Standard 8 inch diameter

Observation Time: 800

Latitude 34-10-55

Longitude: 118-08-15

Elevation: 1125 Feet

Water Year from 10/01/2005 to 09/30/2006

Day	Oct	Nov	Dec	Jan	Feb	Mar	Apr	May	Jun	Jul	Aug	Sep
1				1.23			0.45					
2				1.80								
3				1.43		0.23						
4						0.30	0.12					
5							2.33					
6							0.08					
7						0.43						
8					0.38							
9			0.07		0.30							
10		0.24										
11						0.26						
12						0.13						
13												
14												
15				0.20			1.17					
16	0.20											
17	0.73											
18	1.50											
19	0.06					0.29						
20												
21						0.98						
22								0.45				
23								0.45				
24												
25	0.14											
26							0.03					
27												
28					2.64	0.34						
29						2.02						
30												
31												
Totals	2.63	0.24	0.07	4.66	3.32	4.98	4.18	0.90	0.00	0.00	0.00	0.00
	Water Year Total: 20.98											

NOTE: All Values are in units of inches, unless otherwise specified.

LEGEND: A - Acculated Total
 E - Estimated
 T - Trace, unmeasurable amount of rain

Data Revised: July 2011

PRECIPITATION

DAILY RAINFALL SUMMARY

196C La Verne-Fire Station

Gage Type: Standard 8 inch diameter (DPW)

Observation Time: 800

Latitude 34-06-06

Longitude: 117-46-20

Elevation: 1050 Feet

Water Year from 10/01/2005 to 09/30/2006

Day	Oct	Nov	Dec	Jan	Feb	Mar	Apr	May	Jun	Jul	Aug	Sep
1				0.05			0.42					
2				1.06								
3						0.46						
4							0.70					
5							2.38					
6												
7												
8												
9												
10						0.05	0.01					
11						0.26						
12						0.05						
13												
14				0.01			0.67					
15							0.20					
16												
17	0.66					0.16						
18	0.34				0.50	0.45						
19	0.01					0.40						
20						0.18						
21												
22								0.50				
23							0.04					
24												
25												
26												
27												
28					2.50	0.70						
29						1.44						
30										0.07		
31			0.85									
Totals	1.01	0.00	0.85	1.12	3.00	4.15	4.42	0.50	0.00	0.07	0.00	0.00
											Water Year Total:	15.12

NOTE: All Values are in units of inches, unless otherwise specified.

LEGEND: A - Acculated Total
 E - Estimated
 T - Trace, unmeasurable amount of rain

Data Revised: July 2011

PRECIPITATION

DAILY RAINFALL SUMMARY

216C **Glendale - Jackson**

Gage Type: Standard 8 inch diameter (DPW)

Observation Time: 800

Latitude 34-09-54

Longitude: 118-15-01

Elevation: 615 Feet

Water Year from 10/01/2005 to 09/30/2006

Day	Oct	Nov	Dec	Jan	Feb	Mar	Apr	May	Jun	Jul	Aug	Sep
1							0.32					
2			T	2.56				T				
3			0.02			0.37	0.04	T				
4							1.30				T	
5							1.08					
6						0.07						
7						0.20			T			
8												
9		0.14	0.06						0.02			
10						0.01	T					
11						0.22						
12									T			
13												
14				0.24			0.35					T
15							0.16					T
16												
17	0.73				T	0.11						
18	1.66				0.19							
19					0.25							
20												
21						0.55						
22								1.24				
23							0.08					
24												
25	0.03											
26			0.03									
27					0.36		0.04					
28			T		2.43	0.54						
29						1.28						
30												
31			0.94			T						
Totals	2.42	0.14	1.05	2.80	3.23	3.35	3.37	1.24	0.02	0.00	0.00	0.00
												Water Year Total: 17.62

NOTE: All Values are in units of inches, unless otherwise specified.

LEGEND: A - Acculated Total
 E - Estimated
 T - Trace, unmeasurable amount of rain

Data Revised: July 2011

PRECIPITATION

DAILY RAINFALL SUMMARY

223C **Big Dalton Dam**

Gage Type: Standard 8 inch diameter (DPW)

Observation Time: 800

Latitude 34-10-06

Longitude: 117-48-36

Elevation: 1587 Feet

Water Year from 10/01/2005 to 09/30/2006

Day	Oct	Nov	Dec	Jan	Feb	Mar	Apr	May	Jun	Jul	Aug	Sep
1				1.07		0.02	0.77					
2				0.33			0.10					
3			0.03	2.00		0.04		0.02				
4						0.49	0.02	0.01			T	
5							4.21	T				
6							0.87					
7						0.46	0.02					
8						T						
9			0.09									
10						T						
11						0.35	0.04					
12						0.13			0.01			
13						0.14						
14												
15				0.02	0.06		3.61					0.04
16	0.13				T		T					T
17	0.79		0.02									
18	0.88		T		0.40	0.54						
19	0.05				0.27	0.14						
20					0.12	0.06						
21						1.08						
22								0.35				
23							0.20	0.46		0.03		
24							T			0.01		
25	0.08											
26	T		0.02			0.02	0.08	0.01				
27	T		0.01				0.01	0.13				
28	0.08				4.20	0.28	0.02	0.02				
29						2.47	0.01					
30						0.01				0.04		
31						T				0.01		
Totals	2.01	0.00	0.17	3.42	5.05	6.23	9.96	1.00	0.01	0.09	0.00	0.04
											Water Year Total:	27.98

NOTE: All Values are in units of inches, unless otherwise specified.

LEGEND: A - Acculated Total

 E - Estimated

 T - Trace, unmeasurable amount of rain

Data Revised: July 2011

PRECIPITATION

DAILY RAINFALL SUMMARY

225 **Montana Ranch-Lakewood**

Gage Type: Standard 8 inch diameter (DPW)

Observation Time: 800

Latitude 33-50-35

Longitude: 118-07-09

Elevation: 47 Feet

Water Year from 10/01/2005 to 09/30/2006

Day	Oct	Nov	Dec	Jan	Feb	Mar	Apr	May	Jun	Jul	Aug	Sep
1				0.40			0.08					
2				0.65		0.02	0.02					
3				T		0.50					0.03	
4							1.12					
5							0.05					
6						0.16			T			
7												
8			0.11									
9		0.10										
10												
11												
12												
13												
14							0.24					
15												
16												
17	0.55				0.15	0.31						
18	0.05				0.28							
19					T							
20						0.20		0.01				
21								0.82				
22							0.02					
23										T		
24												
25						0.02						
26							0.02					
27					1.48	0.27						
28					0.02	1.20						
29						0.01						
30												
31			0.60			0.10						
Totals	0.60	0.10	0.71	1.05	1.93	2.79	1.55	0.83	0.00	0.00	0.03	0.00
	Water Year Total:											9.59

NOTE: All Values are in units of inches, unless otherwise specified.

LEGEND: A - Acculated Total

 E - Estimated

 T - Trace, unmeasurable amount of rain

Data Revised: July 2011

PRECIPITATION

DAILY RAINFALL SUMMARY

227D San Gabriel-Bruington-Orton

Gage Type: Standard 8 inch diameter (DPW)

Observation Time: 800

Latitude 34-06-18

Longitude: 118-06-32

Elevation: 472 Feet

Water Year from 10/01/2005 to 09/30/2006

Day	Oct	Nov	Dec	Jan	Feb	Mar	Apr	May	Jun	Jul	Aug	Sep
1				0.13			0.66					
2			0.04	2.43								
3			0.11			0.35						
4							1.62					
5							1.61					
6						0.14						
7						0.14						
8												
9		0.07										
10												
11												
12						0.25						
13												
14				0.14			0.55					
15							0.19					
16	0.02											
17	2.10				0.39	0.11						
18	0.21				0.23	0.71						
19												
20												
21												
22								0.95				
23							0.04					
24												
25												
26			0.03									
27							0.02					
28					2.55	1.50						
29						0.18						
30												
31			0.99									
Totals	2.33	0.07	1.17	2.70	3.17	3.38	4.69	0.95	0.00	0.00	0.00	0.00
											Water Year Total:	18.46

NOTE: All Values are in units of inches, unless otherwise specified.

LEGEND: A - Acculated Total

E - Estimated

T - Trace, unmeasurable amount of rain

Data Revised: July 2011

PRECIPITATION

DAILY RAINFALL SUMMARY

228C Beverly Hills City Hall

Gage Type: Standard 8 inch diameter (DPW)

Observation Time: 800

Latitude 34-06-00

Longitude: 118-23-40

Elevation: 245 Feet

Water Year from 10/01/2005 to 09/30/2006

Day	Oct	Nov	Dec	Jan	Feb	Mar	Apr	May	Jun	Jul	Aug	Sep
1				1.62			0.02					
2				0.65								
3						0.42	0.30					
4							1.45					
5							0.07					
6						0.30						
7												
8												
9		0.42										
10						0.05	0.02					
11						T						
12												
13												
14				0.09			0.30					
15												
16	0.10											
17	1.00					0.09						
18			0.03		0.20							
19					0.29							
20						0.46						
21												
22							0.17	0.54				
23												
24	0.01											
25												
26			0.04									
27					2.35	0.45						
28						1.75						
29												
30												
31			1.24			0.36						
Totals	1.11	0.42	1.31	2.36	2.84	3.88	2.33	0.54	0.00	0.00	0.00	0.00
											Water Year Total:	14.79

NOTE: All Values are in units of inches, unless otherwise specified.

LEGEND: A - Acculated Total

E - Estimated

T - Trace, unmeasurable amount of rain

Data Revised: July 2011

PRECIPITATION

DAILY RAINFALL SUMMARY

235C Henniger Flats

Gage Type: Standard 8 inch diameter (DPW)

Observation Time: 800

Latitude 34-11-38

Longitude: 118-05-17

Elevation: 2550 Feet

Water Year from 10/01/2005 to 09/30/2006

Day	Oct	Nov	Dec	Jan	Feb	Mar	Apr	May	Jun	Jul	Aug	Sep
1				0.15			0.54					
2			0.05	4.30								
3			0.12	0.14		0.62	0.04	0.04				
4							1.57				0.06	
5							1.45					
6						0.10						
7						0.32						
8												
9		0.15										
10		0.10				0.04	0.02					
11						0.28						
12						0.03			0.03			
13												
14				0.12			1.24					
15					0.01		0.64					0.15
16	0.35											
17	2.55					0.06						
18	0.25				0.30	0.01						
19					0.26	0.26						
20						0.08						
21						1.02						
22								0.83				
23							0.08					
24												
25	0.19											
26			0.07			0.03	0.03	0.07				
27	0.02				0.33		0.01	0.10				
28	0.11				3.44	1.30						
29	0.01					1.17						
30												
31			1.24			0.16						
Totals	3.48	0.25	1.48	4.71	4.34	5.48	5.62	1.04	0.03	0.00	0.06	0.15
												Water Year Total: 26.64

NOTE: All Values are in units of inches, unless otherwise specified.

LEGEND: A - Acculated Total

E - Estimated

T - Trace, unmeasurable amount of rain

Data Revised: July 2011

PRECIPITATION

DAILY RAINFALL SUMMARY

237C Stone Canyon Reservoir

Gage Type: Standard 8 inch diameter

Observation Time: 800

Latitude 34-06-21

Longitude: 118-27-13

Elevation: 865 Feet

Water Year from 10/01/2005 to 09/30/2006

Day	Oct	Nov	Dec	Jan	Feb	Mar	Apr	May	Jun	Jul	Aug	Sep
1				0.85			0.50					
2				1.93			0.02					
3			0.01	1.10		1.17						
4						0.05	0.08					
5							2.30					
6							0.03					
7						0.27						
8												
9		0.05	0.03						0.03			
10		0.55										
11						0.46						
12						0.02						
13												
14												
15				0.12			0.41					
16												
17	0.38											
18	0.75				0.31	0.05						
19	0.17				0.35							
20												
21						0.69						
22								0.51				
23								0.47				
24												
25	0.06											
26			0.07									
27			0.02		0.01		0.03					
28					2.84	0.27						
29						0.20						
30												
31						0.01						
Totals	1.36	0.60	0.13	4.00	3.51	3.19	3.37	0.98	0.03	0.00	0.00	0.00
											Water Year Total:	17.17

NOTE: All Values are in units of inches, unless otherwise specified.

LEGEND: A - Acculated Total
 E - Estimated
 T - Trace, unmeasurable amount of rain

Data Revised: July 2011

PRECIPITATION

DAILY RAINFALL SUMMARY

238 **Hollywood Dam**

Gage Type: Standard 8 inch diameter

Observation Time: 800

Latitude 34-07-04

Longitude: 118-19-55

Elevation: 750 Feet

Water Year from 10/01/2005 to 09/30/2006

Day	Oct	Nov	Dec	Jan	Feb	Mar	Apr	May	Jun	Jul	Aug	Sep
1				0.85			0.45					
2				2.17								
3				0.14		0.32	0.08					
4						0.09	1.30					
5							0.77					
6							0.01					
7						0.31						
8												
9			0.05									
10		0.40										
11		0.02				0.13						
12												
13												
14				0.16								
15				0.02			0.58					
16	0.16											
17	0.20											
18	1.35				0.30	0.10						
19	0.05				0.21	0.06						
20												
21						0.48						
22	0.02							0.39				
23	0.03							0.38				
24												
25	0.06											
26			0.05									
27			0.01				0.04					
28					2.95	0.37						
29						1.81						
30												
31												
Totals	1.87	0.42	0.11	3.34	3.46	3.67	3.23	0.77	0.00	0.00	0.00	0.00
												Water Year Total: 16.87

NOTE: All Values are in units of inches, unless otherwise specified.

LEGEND: A - Acculated Total

 E - Estimated

 T - Trace, unmeasurable amount of rain

Data Revised: July 2011

PRECIPITATION

DAILY RAINFALL SUMMARY

251C **La Crescenta**

Gage Type: Standard 8 inch diameter (DPW)

Observation Time: 800

Latitude 34-13-20

Longitude: 118-14-40

Elevation: 1440 Feet

Water Year from 10/01/2005 to 09/30/2006

Day	Oct	Nov	Dec	Jan	Feb	Mar	Apr	May	Jun	Jul	Aug	Sep
1				A		0.01						
2				4.79A			0.74					
3			0.07			0.85	0.05	0.01				
4						T	1.21				0.06	
5							1.14					
6						0.02	T					
7						0.32						
8						T						
9		0.11	0.04						0.04			
10		0.05				0.10						
11						A			0.07			
12						0.58A						
13												
14				0.35			0.56					0.01
15							0.13					0.09
16	0.94											
17	0.92					0.02				T		
18	0.31											
19	T				0.58	0.01						
20												
21						0.83		0.46				
22							0.02	0.27				
23												
24	0.16											
25												
26			0.07			T						
27					0.42		T					
28					3.57	1.26						
29						1.37						
30						T						
31						T						
Totals	2.33	0.16	0.18	5.14	4.57	5.37	3.85	0.74	0.11	0.00	0.06	0.10
										Water Year Total:		22.61

NOTE: All Values are in units of inches, unless otherwise specified.

LEGEND: A - Acculated Total

 E - Estimated

 T - Trace, unmeasurable amount of rain

Data Revised: July 2011

PRECIPITATION

DAILY RAINFALL SUMMARY

252C Castaic Lake

Gage Type: Standard 8 inch diameter

Observation Time: 800

Latitude 34-29-53

Longitude: 118-36-53

Elevation: 1150 Feet

Water Year from 10/01/2005 to 09/30/2006

Day	Oct	Nov	Dec	Jan	Feb	Mar	Apr	May	Jun	Jul	Aug	Sep
1				0.65			0.58					
2			0.19	0.93								
3				1.00		0.39	0.16					
4						0.02	0.80					
5							1.05					
6						0.03	0.05					
7						0.33						
8						0.02						
9		0.02	0.03									
10		0.12										
11						0.05	0.14					
12						0.02						
13						0.04						
14							0.10					
15				0.13			0.38					
16							T					
17	0.32						T					
18	1.52				0.46	0.13						
19					0.26	0.03						
20												
21						0.45						
22								0.43				
23								0.02				
24												
25	0.02											
26			0.10				0.02					
27												
28			0.02		2.70	0.80						
29						1.38						
30												
31			0.10			0.03						
Totals	1.86	0.14	0.44	2.71	3.42	3.72	3.28	0.45	0.00	0.00	0.00	0.00
											Water Year Total:	16.02

NOTE: All Values are in units of inches, unless otherwise specified.

LEGEND: A - Acculated Total

E - Estimated

T - Trace, unmeasurable amount of rain

Data Revised: July 2011

PRECIPITATION

DAILY RAINFALL SUMMARY

255F Mount San Antonio College-Spadra

Gage Type: Standard 8 inch diameter (DPW)

Observation Time: 800

Latitude 34-02-41

Longitude: 117-50-19

Elevation: 720 Feet

Water Year from 10/01/2005 to 09/30/2006

Day	Oct	Nov	Dec	Jan	Feb	Mar	Apr	May	Jun	Jul	Aug	Sep
1				0.11		0.04	0.27					
2			0.18	1.38		0.02						
3						0.52						
4							1.45					
5							0.38		0.01			
6						0.19						
7						0.07						
8												
9						0.02		0.01				
10		0.07				0.12	0.02				0.01	
11						0.25						
12						0.02						0.04
13												
14				0.04			0.83					
15							0.04					
16					0.03							
17	0.66E				0.19	0.25						
18	0.23E				0.04	0.02						
19					0.38							
20												
21						0.14						
22							0.03	0.47				
23							0.06			0.01		
24												
25						0.02						
26												
27					0.99			0.01				
28					0.91	1.44			0.01			
29						0.40						
30												
31			0.85									
Totals	0.89	0.07	1.03	1.53	2.54	3.52	3.08	0.49	0.02	0.01	0.01	0.04
											Water Year Total:	13.23

NOTE: All Values are in units of inches, unless otherwise specified.

LEGEND: A - Acculated Total
 E - Estimated
 T - Trace, unmeasurable amount of rain

Data Revised: July 2011

PRECIPITATION

DAILY RAINFALL SUMMARY

287B **Glendora-City Hall**

Gage Type: Standard 8 inch diameter (DPW)

Observation Time: 800

Latitude 34-08-09

Longitude: 117-51-52

Elevation: 785 Feet

Water Year from 10/01/2005 to 09/30/2006

Day	Oct	Nov	Dec	Jan	Feb	Mar	Apr	May	Jun	Jul	Aug	Sep
1												
2				2.48			0.85					
3						0.13		0.04				
4			0.06									
5							3.36					
6							0.37					
7						0.76						
8						0.03			0.01			
9			0.06									
10												
11						0.24	0.04					
12									0.01			
13						0.13						
14				0.03								
15					0.02		2.59					0.04
16												
17	1.20											
18	0.98					0.39						
19					0.26	1.19						
20					0.46							
21												
22							0.17	0.33				
23								0.31				
24												
25	0.08											
26							0.02	0.02				
27	0.02						0.01	0.07				
28					3.60	0.29	0.02					
29						2.24						
30						0.01						
31			0.30									
Totals	2.28	0.00	0.42	2.51	4.34	5.41	7.43	0.77	0.02	0.00	0.00	0.04
										Water Year Total:		23.22

NOTE: All Values are in units of inches, unless otherwise specified.

LEGEND: A - Acculated Total

 E - Estimated

 T - Trace, unmeasurable amount of rain

Data Revised: July 2011

PRECIPITATION

DAILY RAINFALL SUMMARY

292D Encino Reservoir

Gage Type: Standard 8 inch diameter

Observation Time: 800

Latitude 34-08-56

Longitude: 118-30-57

Elevation: 1075 Feet

Water Year from 10/01/2005 to 09/30/2006

Day	Oct	Nov	Dec	Jan	Feb	Mar	Apr	May	Jun	Jul	Aug	Sep
1							0.44					
2				2.00								
3				2.00		0.76						
4						0.16	0.51					
5							2.20					
6							0.05					
7						0.20						
8												
9		0.06	0.05									
10		0.75										
11		0.02				0.14						
12												
13												
14												T
15				0.06			0.36					
16	0.03											
17	0.01											
18	1.03				0.28	0.15						
19	0.09				0.47							
20												
21						0.34						
22								0.58				
23								0.25				
24	0.03											
25	0.06											
26												
27							0.03					T
28					2.50	0.33						
29						2.03						
30												
31												
Totals	1.25	0.83	0.05	4.06	3.25	4.11	3.59	0.83	0.00	0.00	0.00	0.00
	Water Year Total: 17.97											

NOTE: All Values are in units of inches, unless otherwise specified.

LEGEND: A - Acculated Total
 E - Estimated
 T - Trace, unmeasurable amount of rain

Data Revised: July 2011

PRECIPITATION

DAILY RAINFALL SUMMARY

293B Los Angeles Reservoir

Gage Type: Standard 8 inch diameter

Observation Time: 800

Latitude 34-17-18

Longitude: 118-28-54

Elevation: 1150 Feet

Water Year from 10/01/2005 to 09/30/2006

Day	Oct	Nov	Dec	Jan	Feb	Mar	Apr	May	Jun	Jul	Aug	Sep
1				0.91			0.77					
2				1.34								
3			0.15	0.45		0.72						
4				0.02		0.09	0.12				0.01	
5							2.02				0.01	
6							0.11					
7						0.23						
8												
9			0.01						0.01			
10		0.42										
11		0.01				0.17	0.13					
12						0.08						
13						0.04						
14												
15				0.20			0.26					
16												
17	0.44											
18	1.01				0.27	0.25						
19	0.10				0.29							
20												
21						0.43						
22								0.63				
23								0.11				
24												
25	0.12											
26			0.23									
27			0.12									
28					2.43	0.31						
29						1.59						
30												
31						0.01						
Totals	1.67	0.43	0.51	2.92	2.99	3.92	3.41	0.74	0.01	0.00	0.02	0.00
												Water Year Total: 16.62

NOTE: All Values are in units of inches, unless otherwise specified.

LEGEND: A - Acculated Total
 E - Estimated
 T - Trace, unmeasurable amount of rain

Data Revised: July 2011

PRECIPITATION

DAILY RAINFALL SUMMARY

294B Sierra Madre-Mira Monte Pumping Plant

Gage Type: Standard 8 inch diameter

Observation Time: 800

Latitude 34-10-11

Longitude: 118-02-51

Elevation: 985 Feet

Water Year from 10/01/2005 to 09/30/2006

Day	Oct	Nov	Dec	Jan	Feb	Mar	Apr	May	Jun	Jul	Aug	Sep
1				1.01			0.48					
2				1.33			0.17					
3			0.13E	2.28		0.31		0.04				
4						0.51						
5							3.12					
6							0.64					
7						0.24	0.64					
8									0.05			
9			0.07E									
10		0.02E										
11						0.44	0.05					
12						0.13						
13												
14							1.40					
15				0.10								
16	0.53											
17	1.44											
18	1.22				0.32	0.08						
19	0.37				0.15	0.31						
20					0.24	0.11						
21						0.99						
22								0.41				
23							0.11					
24												
25	0.09											
26			0.06E									
27	0.02						0.04	0.17				
28					3.87	0.31	0.01					
29						2.56						
30												
31												
Totals	3.67	0.02	0.26	4.72	4.58	5.99	6.66	0.62	0.05	0.00	0.00	0.00
										Water Year Total:		26.57

NOTE: All Values are in units of inches, unless otherwise specified.

LEGEND: A - Acculated Total
 E - Estimated
 T - Trace, unmeasurable amount of rain

Data Revised: July 2011

PRECIPITATION

DAILY RAINFALL SUMMARY

299F Little Rock - Schwab

Gage Type: Standard 8 inch diameter (DPW)

Observation Time: 800

Latitude 34-32-12

Longitude: 117-58-43

Elevation: 2800 Feet

Water Year from 10/01/2005 to 09/30/2006

Day	Oct	Nov	Dec	Jan	Feb	Mar	Apr	May	Jun	Jul	Aug	Sep
1			0.09				T					
2				0.62								
3						0.08						
4							0.12					
5							0.77					
6						0.02	0.03					
7						T						
8												
9			0.01									
10												
11						0.06						
12						0.17						
13												
14							0.05	0.04				
15						0.03		0.05				
16	0.02											
17	1.07											
18	0.36				0.27	0.04						
19					0.04							
20										0.14		
21						0.12						
22										0.10		
23												
24												
25												
26												
27					0.05							
28			0.01		0.78	0.25			0.03			
29						0.47						
30												
31												
Totals	1.45	0.00	0.11	0.62	1.14	1.24	0.97	0.09	0.03	0.24	0.00	0.00
												Water Year Total: 5.89

NOTE: All Values are in units of inches, unless otherwise specified.

LEGEND: A - Acculated Total
 E - Estimated
 T - Trace, unmeasurable amount of rain

Data Revised: July 2011

PRECIPITATION

DAILY RAINFALL SUMMARY

306H Zuma Beach

Gage Type: Standard 8 inch diameter (DPW)

Observation Time: 800

Latitude 34-01-15

Longitude: 118-49-42

Elevation: 15 Feet

Water Year from 10/01/2005 to 09/30/2006

Day	Oct	Nov	Dec	Jan	Feb	Mar	Apr	May	Jun	Jul	Aug	Sep
1				0.40			0.63					
2			T	1.15								
3			0.08	0.15		0.38	0.90					
4							1.61					
5							0.47					
6						0.16						
7						0.12						
8												
9		0.40										
10						0.07						
11		0.02				0.14	0.68					
12												
13												
14				0.08			0.31					
15							0.15					
16												
17	0.95					0.07						
18	0.33				0.14							
19					0.46							
20												
21						0.15	0.03					
22							1.15					
23	0.02											
24												
25	0.03					0.10						
26			0.10				0.04					
27					0.45							
28					1.66	1.42						
29						0.64						
30												
31			0.55									
Totals	1.33	0.42	0.73	1.78	2.71	3.25	4.79	1.18	0.00	0.00	0.00	0.00
	Water Year Total:											16.19

NOTE: All Values are in units of inches, unless otherwise specified.

LEGEND: A - Acculated Total

E - Estimated

T - Trace, unmeasurable amount of rain

Data Revised: July 2011

PRECIPITATION

DAILY RAINFALL SUMMARY

322 **Munz Valley Ranch**

Gage Type: Standard 8 inch diameter (DPW)

Observation Time: 800

Latitude 34-42-50

Longitude: 118-21-15

Elevation: 2600 Feet

Water Year from 10/01/2005 to 09/30/2006

Day	Oct	Nov	Dec	Jan	Feb	Mar	Apr	May	Jun	Jul	Aug	Sep
1				0.17			0.19					
2			0.14	1.84								
3						0.30						
4						0.04	0.34					
5							0.81					
6												
7												
8												
9												
10						0.06						
11						0.31						
12						0.07						
13												
14							0.18					
15												
16												
17	1.90				0.15							
18	0.74				0.01	0.10						
19					0.10							
20												
21						0.20						
22								0.05				
23												
24												
25												
26												
27					0.23							
28					1.81	1.08						
29						0.30						
30												
31			0.30									
Totals	2.64	0.00	0.44	2.01	2.30	2.46	1.52	0.05	0.00	0.00	0.00	0.00
											Water Year Total:	11.42

NOTE: All Values are in units of inches, unless otherwise specified.

LEGEND: A - Acculated Total

 E - Estimated

 T - Trace, unmeasurable amount of rain

Data Revised: July 2011

PRECIPITATION

DAILY RAINFALL SUMMARY

334B Cogswell Dam

Gage Type: Standard 8 inch diameter (DPW)

Observation Time: 800

Latitude 34-14-37

Longitude: 117-57-35

Elevation: 2300 Feet

Water Year from 10/01/2005 to 09/30/2006

Day	Oct	Nov	Dec	Jan	Feb	Mar	Apr	May	Jun	Jul	Aug	Sep
1				0.78		T	0.43					
2				3.22			0.12					
3			0.02	4.95		0.34						
4						0.80	0.06				T	
5							3.65					
6							0.22					
7						0.52						
8												
9		T	0.11									
10		0.07										
11		T				0.59	0.05					
12						0.13						
13						0.04						
14												
15				0.05	T		1.09					
16	0.16											
17	0.96											
18	0.83				0.31	0.15						
19	T		T		0.17	0.12						
20					0.14	0.01						
21						0.92						
22								0.35				
23							0.08	0.12		T		
24												
25	0.03											
26			0.06				0.04					
27							0.02	0.02				
28					5.42	0.38	0.05			T		
29						2.65	T					
30												
31												
Totals	1.98	0.07	0.19	9.00	6.04	6.65	5.81	0.49	0.00	0.00	0.00	0.00
	Water Year Total: 30.23											

NOTE: All Values are in units of inches, unless otherwise specified.

LEGEND: A - Acculated Total

E - Estimated

T - Trace, unmeasurable amount of rain

Data Revised: July 2011

PRECIPITATION

DAILY RAINFALL SUMMARY

336 Silver Lake Reservoir

Gage Type: Standard 8 inch diameter

Observation Time: 800

Latitude 34-06-08

Longitude: 118-15-54

Elevation: 445 Feet

Water Year from 10/01/2005 to 09/30/2006

Day	Oct	Nov	Dec	Jan	Feb	Mar	Apr	May	Jun	Jul	Aug	Sep
1				1.25			0.36					
2				1.30			0.03					
3			0.02	0.95		0.20						
4						0.20	0.12					
5							1.75					
6							0.11					
7						0.21						
8												
9			0.05									
10		0.13										
11						0.11						
12						0.20						
13												
14				0.09								
15				0.06			0.45					
16												
17	0.22											
18	1.16				0.25	0.05						
19	0.04				0.26	0.17						
20												
21						0.62						
22								0.51				
23							0.05	0.26				
24												
25												
26			0.03									
27			0.01				0.02					
28					2.31	0.30						
29						1.46						
30												
31												
Totals	1.42	0.13	0.11	3.65	2.82	3.52	2.89	0.77	0.00	0.00	0.00	0.00
												Water Year Total: 15.31

NOTE: All Values are in units of inches, unless otherwise specified.

LEGEND: A - Acculated Total

E - Estimated

T - Trace, unmeasurable amount of rain

Data Revised: July 2011

PRECIPITATION

DAILY RAINFALL SUMMARY

356C Spadra-Lanterman Hospital

Gage Type: Standard 8 inch diameter (DPW)

Observation Time: 800

Latitude 34-02-31

Longitude: 117-48-35

Elevation: 690 Feet

Water Year from 10/01/2005 to 09/30/2006

Day	Oct	Nov	Dec	Jan	Feb	Mar	Apr	May	Jun	Jul	Aug	Sep
1							0.31					
2												
3			0.20	1.87		0.34						
4							0.45					
5							1.47					
6												
7						0.23						
8												
9			0.05									
10						T						
11												
12												
13						0.75						
14							0.16					
15												
16												
17	0.78			0.05		0.18	0.62					
18	0.44											
19												
20						0.04						
21					0.73							
22								0.42				
23												
24							0.08					
25												
26												
27			0.03		0.05							
28					2.16	0.56						
29						1.64						
30												
31												
Totals	1.22	0.00	0.28	1.92	2.94	3.74	3.09	0.42	0.00	0.00	0.00	0.00
											Water Year Total:	13.61

NOTE: All Values are in units of inches, unless otherwise specified.

LEGEND: A - Acculated Total

E - Estimated

T - Trace, unmeasurable amount of rain

Data Revised: July 2011

PRECIPITATION

DAILY RAINFALL SUMMARY

372 San Francisquito Power House No.2

Gage Type: Standard 8 inch diameter

Observation Time: 800

Latitude 34-32-02

Longitude: 118-31-27

Elevation: 1580 Feet

Water Year from 10/01/2005 to 09/30/2006

Day	Oct	Nov	Dec	Jan	Feb	Mar	Apr	May	Jun	Jul	Aug	Sep
1				0.13		0.02	0.70					
2				1.86								
3			0.25	0.17		0.30	0.22					
4							1.55					
5							1.05					
6						0.22						
7						0.20						
8						0.06						
9		0.02	0.01			0.02						
10		0.08										
11						0.12	0.10					
12						0.18						
13												
14				0.20			0.60					
15							0.10					
16												
17	1.30				0.19	T						
18	1.20				0.30	0.08						
19					0.41							
20					0.03							
21						0.46						
22						0.01		0.46				
23							T					
24												
25												
26			0.07				0.01					
27					0.50							
28			0.03		2.36	1.50						
29						0.75						
30						0.05						
31			0.70			T						
Totals	2.50	0.10	1.06	2.36	3.79	3.97	4.33	0.46	0.00	0.00	0.00	0.00
											Water Year Total:	18.57

NOTE: All Values are in units of inches, unless otherwise specified.

LEGEND: A - Acculated Total

E - Estimated

T - Trace, unmeasurable amount of rain

Data Revised: July 2011

PRECIPITATION

DAILY RAINFALL SUMMARY

373C Briggs Terrace

Gage Type: Standard 8 inch diameter (DPW)

Observation Time: 800

Latitude 34-14-17

Longitude: 118-13-27

Elevation: 2200 Feet

Water Year from 10/01/2005 to 09/30/2006

Day	Oct	Nov	Dec	Jan	Feb	Mar	Apr	May	Jun	Jul	Aug	Sep
1				0.31			0.63					
2			0.15	4.25								
3			0.02			0.90	0.07	0.01				
4							1.80					
5							0.86				0.04	
6						0.28						
7												
8												
9		0.19	0.07									
10		0.16				0.21						
11						0.65			0.03			
12									0.16			
13												
14				0.44			0.62					0.05
15							0.14	0.85				0.21
16	0.09											
17	2.18				0.38	0.06						
18	0.29					0.08						
19					0.31							
20												
21						0.98						
22												
23							0.03					
24												
25	0.35											
26			0.09									
27					1.47		0.01	0.09				
28					2.81	3.00						
29												
30						0.02				0.02		
31			1.51									
Totals	2.91	0.35	1.84	5.00	4.97	6.18	4.16	0.95	0.19	0.02	0.04	0.26
										Water Year Total:		26.87

NOTE: All Values are in units of inches, unless otherwise specified.

LEGEND: A - Acculated Total
 E - Estimated
 T - Trace, unmeasurable amount of rain

Data Revised: July 2011

PRECIPITATION

DAILY RAINFALL SUMMARY

388D **Paramount-County Fire Department**

Gage Type: Standard 8 inch diameter (DPW)

Observation Time: 800

Latitude 33-53-50

Longitude: 118-10-02

Elevation: 80 Feet

Water Year from 10/01/2005 to 09/30/2006

Day	Oct	Nov	Dec	Jan	Feb	Mar	Apr	May	Jun	Jul	Aug	Sep
1				0.39								
2				0.39								
3												
4				1.40								
5												
6												
7												
8												
9												
10		0.08E				0.65						
11		0.08E				0.68						
12												
13												
14							1.35					
15												
16												
17	0.17E					0.37						
18	0.78E				0.08			0.16				
19	0.70E				0.35							
20												
21												
22												
23												
24												
25												
26												
27					2.00							
28						2.00						
29			1.60									
30												
31						0.27						
Totals	1.65	0.16	1.60	2.18	2.43	3.97	1.35	0.16	0.00	0.00	0.00	0.00
												Water Year Total: 13.50

NOTE: All Values are in units of inches, unless otherwise specified.

LEGEND: A - Acculated Total
 E - Estimated
 T - Trace, unmeasurable amount of rain

Data Revised: July 2011

PRECIPITATION

DAILY RAINFALL SUMMARY

405B Soledad Canyon

Gage Type: Standard 8 inch diameter (DPW)

Observation Time: 800

Latitude 34-26-23

Longitude: 118-17-33

Elevation: 2150 Feet

Water Year from 10/01/2005 to 09/30/2006

Day	Oct	Nov	Dec	Jan	Feb	Mar	Apr	May	Jun	Jul	Aug	Sep
1				0.33								
2			0.12	2.27		1.01						
3												
4							0.42					
5												
6												
7												
8												
9												
10												
11						0.32						
12						0.10						
13												
14												
15							0.35					
16												
17	0.65				0.30	0.40						
18	0.53				0.02	0.01						
19					0.18							
20						0.23						
21						0.20						
22							0.05					
23												
24												
25												
26												
27					1.65							
28					1.20	0.20						
29												
30												
31			0.34									
Totals	1.18	0.00	0.46	2.60	3.35	2.47	0.82	0.00	0.00	0.00	0.00	0.00
	Water Year Total: 10.88											

NOTE: All Values are in units of inches, unless otherwise specified.

LEGEND: A - Acculated Total
 E - Estimated
 T - Trace, unmeasurable amount of rain

Data Revised: July 2011

PRECIPITATION

DAILY RAINFALL SUMMARY

406C West Azusa

Gage Type: Standard 8 inch diameter (DPW)

Observation Time: 800

Latitude 34-06-53

Longitude: 117-54-56

Elevation: 505 Feet

Water Year from 10/01/2005 to 09/30/2006

Day	Oct	Nov	Dec	Jan	Feb	Mar	Apr	May	Jun	Jul	Aug	Sep
1				0.94								
2			0.12	0.29			0.76					
3				0.82		0.06	0.10					
4						0.61						
5							2.12					
6							0.13					
7						0.26						
8												
9												
10		0.03										
11						0.13						
12						0.04						
13						0.06						
14							1.48					
15												
16	0.27											
17	1.14											
18	0.90				0.27	0.29						
19	0.04				0.30	0.16						
20						0.05						
21						0.70						
22								0.32				
23							0.08	0.22				
24												
25	0.02											
26			0.07									
27												
28					2.13	0.29						
29						1.74						
30												
31												
Totals	2.37	0.03	0.19	2.05	2.70	4.39	4.67	0.54	0.00	0.00	0.00	0.00
	Water Year Total: 16.94											

NOTE: All Values are in units of inches, unless otherwise specified.

LEGEND: A - Acculated Total
 E - Estimated
 T - Trace, unmeasurable amount of rain

Data Revised: July 2011

PRECIPITATION

DAILY RAINFALL SUMMARY

409B Pyramid Reservoir

Gage Type: Standard 8 inch diameter

Observation Time: 800

Latitude 34-40-34

Longitude: 118-46-47

Elevation: 2505 Feet

Water Year from 10/01/2005 to 09/30/2006

Day	Oct	Nov	Dec	Jan	Feb	Mar	Apr	May	Jun	Jul	Aug	Sep
1				0.21		T	0.13					
2			0.16	2.75								
3			0.09	0.62		0.42						
4							1.41					
5							1.09					
6							0.10					
7						0.11						
8						0.05						
9		0.04	T									
10		0.32				0.02						
11						0.06	T					
12						0.14	0.08					
13						0.11						
14				T								
15				T			0.07					
16	0.08						T					
17	0.28						T					
18	2.20				0.01	0.17						
19	0.02				0.15	0.02						
20					0.03							
21						0.10		0.08				
22								0.11				
23								0.04				
24												
25												
26			0.01			0.03						
27					0.03							
28					2.57	0.23						
29						1.72						
30						0.07						
31						0.08						
Totals	2.58	0.36	0.26	3.58	2.79	3.33	2.88	0.23	0.00	0.00	0.00	0.00
											Water Year Total:	16.01

NOTE: All Values are in units of inches, unless otherwise specified.

LEGEND: A - Acculated Total

E - Estimated

T - Trace, unmeasurable amount of rain

Data Revised: July 2011

PRECIPITATION

DAILY RAINFALL SUMMARY

425B San Gabriel Dam

Gage Type: Standard 8 inch diameter (DPW)

Observation Time: 800

Latitude 34-12-19

Longitude: 117-51-38

Elevation: 1481 Feet

Water Year from 10/01/2005 to 09/30/2006

Day	Oct	Nov	Dec	Jan	Feb	Mar	Apr	May	Jun	Jul	Aug	Sep
1				1.23			0.63					
2				0.63			0.18					
3			0.01	2.53		0.11	T	T				
4						0.66	0.02					
5							3.19					
6							1.60					
7						0.35						
8												
9			0.08									
10		0.01				0.01						
11		T				0.48	0.03					
12						0.22						
13						0.10						
14												
15				0.07	0.02		1.43					0.03
16	0.55						T					
17	0.95											
18	1.09				0.41	1.15						
19	0.06				0.22	0.71						
20					0.15	0.02						
21						0.97						
22								0.37				
23							0.12	0.28		0.06		
24												
25	0.05											
26			0.03			T	0.05	T	T			
27			T				0.01	0.04				
28					4.75	0.30	0.01					
29						2.21						
30										T		
31										T		
Totals	2.70	0.01	0.12	4.46	5.55	7.29	7.27	0.69	0.00	0.06	0.00	0.03
										Water Year Total:		28.18

NOTE: All Values are in units of inches, unless otherwise specified.

LEGEND: A - Acculated Total

E - Estimated

T - Trace, unmeasurable amount of rain

Data Revised: July 2011

PRECIPITATION

DAILY RAINFALL SUMMARY

436C Hansen Dam

Gage Type: Standard 8 inch diameter

Observation Time: 800

Latitude 34-16-08

Longitude: 118-23-59

Elevation: 1110 Feet

Water Year from 10/01/2005 to 09/30/2006

Day	Oct	Nov	Dec	Jan	Feb	Mar	Apr	May	Jun	Jul	Aug	Sep
1				0.29			0.43					
2				1.90								
3			0.07	0.03		1.12	0.02					
4							1.31				0.02	
5							1.66					
6						0.02						
7						0.27						
8												
9		0.12										
10		0.09				0.04						
11						0.38						
12						0.03						
13												
14				0.22			0.14					
15												
16												
17	1.05				0.02	0.01						
18	0.51				0.35	0.05						
19					0.21	0.03						
20												
21						0.66						
22								0.68				
23												
24												
25	0.06											
26			0.10									
27					0.31							
28					2.06	0.88						
29						0.65						
30												
31			0.60									
Totals	1.62	0.21	0.77	2.44	2.95	4.14	3.56	0.68	0.00	0.00	0.02	0.00
											Water Year Total:	16.39

NOTE: All Values are in units of inches, unless otherwise specified.

LEGEND: A - Acculated Total
 E - Estimated
 T - Trace, unmeasurable amount of rain

Data Revised: July 2011

PRECIPITATION

DAILY RAINFALL SUMMARY

455B Lancaster-State Hwy Maintenance Sta.

Gage Type: Standard 8 inch diameter (DPW)

Observation Time: 800

Latitude 34-40-57

Longitude: 118-08-02

Elevation: 2395 Feet

Water Year from 10/01/2005 to 09/30/2006

Day	Oct	Nov	Dec	Jan	Feb	Mar	Apr	May	Jun	Jul	Aug	Sep
1							0.11					
2			0.11	0.39								
3				0.58		0.26						
4												
5							0.59					
6							0.16					
7												
8												
9												
10						0.25						
11						0.25						
12						0.02						
13												
14												
15	0.02											
16												
17	0.75											
18	1.20				0.14			0.36				
19												
20										0.42		
21						0.25						
22												
23												
24												
25												
26												
27												
28			0.07		0.75							
29						0.45		T				
30												
31												
Totals	1.97	0.00	0.18	0.97	0.89	1.48	0.86	0.36	0.00	0.42	0.00	0.00
										Water Year Total:		7.13

NOTE: All Values are in units of inches, unless otherwise specified.

LEGEND: A - Acculated Total

 E - Estimated

 T - Trace, unmeasurable amount of rain

Data Revised: July 2011

PRECIPITATION

DAILY RAINFALL SUMMARY

465C Sepulveda Dam

Gage Type: Standard 8 inch diameter

Observation Time: 800

Latitude 34-10-06

Longitude: 118-28-11

Elevation: 683 Feet

Water Year from 10/01/2005 to 09/30/2006

Day	Oct	Nov	Dec	Jan	Feb	Mar	Apr	May	Jun	Jul	Aug	Sep
1				0.30E			0.45					
2			0.02E	2.00E								
3			0.03E	0.01E		0.85	0.03					
4							1.80					
5							0.92					
6						0.04						
7						0.09						
8												
9		0.20	0.02E									
10		0.20				0.01						
11						0.10						
12						0.02						
13												
14				0.10			0.18					
15												
16	0.01											
17	1.07				0.03	0.02						
18	0.33				0.17	0.01						
19					0.42							
20												
21						0.25						
22								0.81				
23												
24												
25	0.01											
26			0.10E									
27					0.41							
28					2.13	1.15						
29						1.19						
30												
31			0.60E									
Totals	1.42	0.40	0.77	2.41	3.16	3.73	3.38	0.81	0.00	0.00	0.00	0.00
Water Year Total:												16.08

NOTE: All Values are in units of inches, unless otherwise specified.

LEGEND: A - Acculated Total
 E - Estimated
 T - Trace, unmeasurable amount of rain

Data Revised: July 2011

PRECIPITATION

DAILY RAINFALL SUMMARY

482 Los Angeles-U.S.C.

Gage Type: Standard 8 inch diameter

Observation Time: 800

Latitude 34-01-14

Longitude: 118-17-15

Elevation: 208 Feet

Water Year from 10/01/2005 to 09/30/2006

Day	Oct	Nov	Dec	Jan	Feb	Mar	Apr	May	Jun	Jul	Aug	Sep
1				0.31			0.28					
2				1.78								
3			0.11			0.29	0.02					
4							1.05					
5							0.65					
6						0.09						
7						0.06						
8												
9		0.13	0.03									
10		0.10				0.04						
11						0.13						
12												
13												
14				0.11			0.18					
15							0.05					
16	0.01											
17												
18												
19	1.38				0.41	0.28						
20												
21						0.36						
22							0.04	0.88				
23												
24												
25												
26												
27												
28			0.01		1.93							
29						1.57						
30												
31			0.84									
Totals	1.39	0.23	0.99	2.20	2.34	2.82	2.27	0.88	0.00	0.00	0.00	0.00
											Water Year Total:	13.12

NOTE: All Values are in units of inches, unless otherwise specified.

LEGEND: A - Acculated Total
 E - Estimated
 T - Trace, unmeasurable amount of rain

Data Revised: July 2011

PRECIPITATION

DAILY RAINFALL SUMMARY

488B Kagel Canyon Patrol Station

Gage Type: Standard 8 inch diameter (DPW)

Observation Time: 800

Latitude 34-17-45

Longitude: 118-22-30

Elevation: 1450 Feet

Water Year from 10/01/2005 to 09/30/2006

Day	Oct	Nov	Dec	Jan	Feb	Mar	Apr	May	Jun	Jul	Aug	Sep
1				0.75								
2				0.91								
3				1.36		0.44						
4												
5							2.00					
6						0.30						
7							0.40					
8												
9												
10												
11						0.10	0.05					
12						0.20						
13						0.15						
14												
15				0.22								0.01
16												
17	1.85						0.27					
18	0.02				0.44	0.05						
19					0.30							
20						0.69						
21												
22								0.44				
23							0.01	0.40				
24												
25												
26			0.10									
27			0.05									
28					2.45	0.39						
29						1.20						
30												
31			0.04			0.45						
Totals	1.87	0.00	0.19	3.24	3.19	3.97	2.73	0.84	0.00	0.00	0.00	0.01
											Water Year Total:	16.04

NOTE: All Values are in units of inches, unless otherwise specified.

LEGEND: A - Acculated Total

E - Estimated

T - Trace, unmeasurable amount of rain

Data Revised: July 2011

PRECIPITATION

DAILY RAINFALL SUMMARY

497 **Claremont-Slaughter**

Gage Type: Standard 8 inch diameter (DPW)

Observation Time: 800

Latitude 34-07-35

Longitude: 117-43-55

Elevation: 1350 Feet

Water Year from 10/01/2005 to 09/30/2006

Day	Oct	Nov	Dec	Jan	Feb	Mar	Apr	May	Jun	Jul	Aug	Sep
1				0.06			0.49					
2				1.01								
3			0.02	0.06				0.01				
4							1.27					
5							1.27					
6							0.01					
7						0.32						
8						0.02						
9			0.08									
10						0.06	0.07					
11						0.30						
12						0.04			0.01			
13						0.03						
14							0.94					
15	0.01						0.39					
16	0.03											
17	0.91					0.26						
18	0.55				0.35	0.22						
19					0.34	0.25						
20												
21						0.77						
22							0.02	0.59				
23										0.04		
24												
25												
26			0.02									
27					0.26			0.07				
28					2.25	1.47	0.02					
29						0.78						
30										0.01		
31			0.78									
Totals	1.50	0.00	0.90	1.13	3.20	4.52	4.48	0.67	0.01	0.05	0.00	0.00
										Water Year Total:		16.46

NOTE: All Values are in units of inches, unless otherwise specified.

LEGEND: A - Acculated Total

 E - Estimated

 T - Trace, unmeasurable amount of rain

Data Revised: July 2011

PRECIPITATION

DAILY RAINFALL SUMMARY

542 Fairmont

Gage Type: Standard 8 inch diameter

Observation Time: 800

Latitude 34-42-15

Longitude: 118-25-40

Elevation: 3050 Feet

Water Year from 10/01/2005 to 09/30/2006

Day	Oct	Nov	Dec	Jan	Feb	Mar	Apr	May	Jun	Jul	Aug	Sep
1				0.52		0.11	0.30					
2			0.07	2.25			0.02					
3			0.08	1.30		0.52						
4						0.04	0.28					
5							1.97					
6							0.13					
7						0.11						
8						0.02						
9												
10		T										
11						0.18	0.07					
12						0.20	0.01					
13						0.05						
14				0.04								
15				0.06		0.02	0.20					0.01
16	0.02						T					
17	0.80											
18	1.94				0.25	0.24		0.06				
19	0.04				0.14							
20					0.02							
21						0.42						
22						0.02		0.13				
23								0.01				
24												
25										0.38		
26			0.02									
27			T									
28	T				2.66	0.05			0.02			
29			0.04			1.70						
30						0.12						
31			T			0.02						
Totals	2.80	0.00	0.21	4.17	3.07	3.82	2.98	0.20	0.02	0.38	0.00	0.01
										Water Year Total:		17.66

NOTE: All Values are in units of inches, unless otherwise specified.

LEGEND: A - Acculated Total

E - Estimated

T - Trace, unmeasurable amount of rain

Data Revised: July 2011

PRECIPITATION

DAILY RAINFALL SUMMARY

564C Llano

Gage Type: Standard 8 inch diameter (DPW)

Observation Time: 800

Latitude 34-29-13

Longitude: 117-50-02

Elevation: 3390 Feet

Water Year from 10/01/2005 to 09/30/2006

Day	Oct	Nov	Dec	Jan	Feb	Mar	Apr	May	Jun	Jul	Aug	Sep
1												
2			0.04	0.10								
3				0.50								
4												
5							0.59					
6							0.16					
7												
8						0.10			0.02			
9			0.04									
10												
11		0.04										
12												
13						0.19						
14												
15												
16												
17	0.80											
18	0.80							0.15				
19						0.05						
20												
21					0.11	0.25				0.03		
22								0.11				
23												
24										0.02		
25												
26												
27												
28					0.95	0.04						
29						0.61						
30												
31												
Totals	1.60	0.04	0.08	0.60	1.06	1.24	0.75	0.26	0.02	0.05	0.00	0.00
												Water Year Total: 5.70

NOTE: All Values are in units of inches, unless otherwise specified.

LEGEND: A - Acculated Total
 E - Estimated
 T - Trace, unmeasurable amount of rain

Data Revised: July 2011

PRECIPITATION

DAILY RAINFALL SUMMARY

591B Santa Anita Reservoir

Gage Type: Standard 8 inch diameter

Observation Time: 800

Latitude 34-11-08

Longitude: 118-06-16

Elevation: 1205 Feet

Water Year from 10/01/2005 to 09/30/2006

Day	Oct	Nov	Dec	Jan	Feb	Mar	Apr	May	Jun	Jul	Aug	Sep
1				1.10								
2				1.65			0.52					
3			0.10	1.97		0.55		0.40				
4							0.47					
5							2.10					
6							0.02					
7						0.35						
8												
9												
10		0.22										
11						0.44						
12						0.03						
13						0.01						
14												
15				0.13			1.30					
16	0.11											
17	0.88											
18	1.33				0.22	0.04						
19	0.06				0.30	0.38						
20						0.03						
21						1.01						
22								0.60				
23								0.21				
24	0.19											
25												
26			0.05									
27								0.13				
28					3.34	0.40						
29						2.07						
30												
31												
Totals	2.57	0.22	0.15	4.85	3.86	5.31	4.41	1.34	0.00	0.00	0.00	0.00
	Water Year Total: 22.71											

NOTE: All Values are in units of inches, unless otherwise specified.

LEGEND: A - Acculated Total

E - Estimated

T - Trace, unmeasurable amount of rain

Data Revised: July 2011

PRECIPITATION

DAILY RAINFALL SUMMARY

598D **Neenach-Check 43-California D.W.R.**

Gage Type: Standard 8 inch diameter

Observation Time: 800

Latitude 34-47-40

Longitude: 118-37-15

Elevation: 2965 Feet

Water Year from 10/01/2005 to 09/30/2006

Day	Oct	Nov	Dec	Jan	Feb	Mar	Apr	May	Jun	Jul	Aug	Sep
1				0.10			0.11					
2			0.33	0.90								
3				0.87		0.33						
4				0.02			0.45					
5						0.02						
6							0.31					
7						0.10	T					
8												
9			0.06			0.08						
10						0.08						
11						0.14	0.06					
12						0.22						
13												
14						0.01	T					
15				0.04								
16												
17	0.78											
18	0.60				0.10	0.08						
19			T		0.05	T						
20						T						
21						T				T		
22						0.01		0.03				
23							T					
24												
25												
26												
27					0.05							
28					1.40	1.03						
29						0.02						
30												
31						0.11						
Totals	1.38	0.00	0.39	1.93	1.60	2.23	0.93	0.03	0.00	0.00	0.00	0.00
												Water Year Total: 8.49

NOTE: All Values are in units of inches, unless otherwise specified.

LEGEND: A - Acculated Total

 E - Estimated

 T - Trace, unmeasurable amount of rain

Data Revised: July 2011

PRECIPITATION

DAILY RAINFALL SUMMARY

610B Pasadena-City Hall

Gage Type: Daily Automatic

Observation Time: 2400

Latitude 34-08-54

Longitude: 118-08-36

Elevation: 864 Feet

Water Year from 10/01/2005 to 09/30/2006

Day	Oct	Nov	Dec	Jan	Feb	Mar	Apr	May	Jun	Jul	Aug	Sep
1				0.59								
2			0.01	1.02								
3			0.07	0.87		0.50	0.55	0.02				
4				0.71			1.42					
5				0.30			1.40					
6						0.03						
7						0.24						
8									0.01			
9		0.10							0.03			
10		0.07				0.02	0.01					
11						0.66						
12												
13							0.71					
14				0.17			0.32					
15				0.01	0.05							
16	0.13											
17	0.39					0.04						
18	0.17				0.29	0.01						
19					0.31	0.05						
20												
21						1.14						
22								0.92				
23							0.01	0.04				
24												
25	0.08											
26			0.07									
27					0.18		0.03					
28					3.18	0.03						
29												
30												
31			0.60									
Totals	0.77	0.17	0.75	3.67	4.01	2.72	4.45	0.98	0.04	0.00	0.00	0.00
											Water Year Total:	17.56

NOTE: All Values are in units of inches, unless otherwise specified.

LEGEND: A - Acculated Total
 E - Estimated
 T - Trace, unmeasurable amount of rain

Data Revised: July 2011

PRECIPITATION

DAILY RAINFALL SUMMARY

612B Pasadena-Chlorine Plant

Gage Type: Standard 8 inch diameter

Observation Time: 800

Latitude 34-12-04

Longitude: 118-09-49

Elevation: 1160 Feet

Water Year from 10/01/2005 to 09/30/2006

Day	Oct	Nov	Dec	Jan	Feb	Mar	Apr	May	Jun	Jul	Aug	Sep
1				1.64								
2							0.57					
3			0.13	2.93		0.67		0.03				
4							0.08					
5							2.08					
6							0.10					
7						0.56						
8												
9												
10		0.22										
11						0.40						
12						0.04						
13						0.05						
14												
15				0.24			0.75					
16	0.25											
17	1.05											
18	1.50				0.37							
19	0.05											
20						0.20						
21					0.30	0.79						
22								0.80				
23								0.23				
24	0.19											
25												
26			0.07				0.02					
27								0.10				
28					3.65	0.41						
29						1.90						
30												
31												
Totals	3.04	0.22	0.20	4.81	4.32	5.02	3.60	1.16	0.00	0.00	0.00	0.00
											Water Year Total:	22.37

NOTE: All Values are in units of inches, unless otherwise specified.

LEGEND: A - Acculated Total

E - Estimated

T - Trace, unmeasurable amount of rain

Data Revised: July 2011

PRECIPITATION

DAILY RAINFALL SUMMARY

613C Pasadena Fire Station

Gage Type: Standard 8 inch diameter

Observation Time: 800

Latitude 34-07-15

Longitude: 118-08-05

Elevation: 779 Feet

Water Year from 10/01/2005 to 09/30/2006

Day	Oct	Nov	Dec	Jan	Feb	Mar	Apr	May	Jun	Jul	Aug	Sep
1				1.11								
2				2.34			0.60					
3			0.07	0.77		0.55		0.40				
4							0.65					
5							2.32					
6							0.39					
7						0.25						
8												
9												
10		0.27										
11						0.44						
12						0.12						
13						0.01						
14												
15				0.19			1.23					
16	0.13											
17	0.88											
18	1.62				0.29	0.01						
19	0.02				0.14	0.08						
20												
21						0.91						
22								0.91				
23								0.27				
24	0.07											
25												
26			0.07									
27												
28					3.31	0.30						
29												
30						2.63						
31												
Totals	2.72	0.27	0.14	4.41	3.74	5.30	5.19	1.58	0.00	0.00	0.00	0.00
	Water Year Total: 23.35											

NOTE: All Values are in units of inches, unless otherwise specified.

LEGEND: A - Acculated Total

E - Estimated

T - Trace, unmeasurable amount of rain

Data Revised: July 2011

PRECIPITATION

DAILY RAINFALL SUMMARY

627 San Gabriel Canyon-Power House

Gage Type: Standard 8 inch diameter

Observation Time: 800

Latitude 34-09-20

Longitude: 117-54-28

Elevation: 744 Feet

Water Year from 10/01/2005 to 09/30/2006

Day	Oct	Nov	Dec	Jan	Feb	Mar	Apr	May	Jun	Jul	Aug	Sep
1				0.92		0.01	0.69					
2				0.45			0.11					
3			0.10	1.02		0.09		0.05				
4						0.55	0.01					
5							2.65					
6							0.94					
7						0.24						
8									0.01			
9			0.04									
10		0.05										
11						0.54	0.03					
12						0.03			0.03			
13						0.03			0.01			
14												
15				0.04	0.03		1.67					0.01
16	0.48											
17	1.48											
18	0.75				0.28	0.93						
19	0.02				0.32	0.26						
20						0.13						
21						0.91						
22								0.34				
23							0.05	0.28				
24												
25	0.07											
26			0.05			0.01	0.01	0.01				
27			0.01					0.12				
28					3.73	0.26						
29						1.94						
30												
31										0.01		
Totals	2.80	0.05	0.20	2.43	4.36	5.93	6.16	0.80	0.05	0.01	0.00	0.01
												Water Year Total: 22.80

NOTE: All Values are in units of inches, unless otherwise specified.

LEGEND: A - Acculated Total
 E - Estimated
 T - Trace, unmeasurable amount of rain

Data Revised: July 2011

PRECIPITATION

DAILY RAINFALL SUMMARY

634C Santa Monica

Gage Type: Standard 8 inch diameter (DPW)

Observation Time: 800

Latitude 34-00-43

Longitude: 118-29-27

Elevation: 94 Feet

Water Year from 10/01/2005 to 09/30/2006

Day	Oct	Nov	Dec	Jan	Feb	Mar	Apr	May	Jun	Jul	Aug	Sep
1				0.12			0.28					
2			0.01	1.38								
3						0.27	0.07					
4							1.10					
5							0.28					
6												
7						0.50						
8												
9		0.32										
10		0.06										
11						0.01	0.01					
12												
13												
14				0.40			0.10					
15				0.50			0.19					
16												
17	0.56					0.01						
18	0.57				0.10							
19					0.25							
20												
21						0.23						
22								0.68				
23							0.02					
24	0.03											
25												
26			0.30									
27					0.28			0.01				
28			0.01		0.67	0.92						
29						0.59						
30												
31			1.18			0.01						
Totals	1.16	0.38	1.50	2.40	1.30	2.54	2.05	0.68	0.01	0.00	0.00	0.00
										Water Year Total:		12.02

NOTE: All Values are in units of inches, unless otherwise specified.

LEGEND: A - Acculated Total
 E - Estimated
 T - Trace, unmeasurable amount of rain

Data Revised: July 2011

PRECIPITATION

DAILY RAINFALL SUMMARY

680B Westwood (U.C.L.A.)

Gage Type: Standard 8 inch diameter

Observation Time: 800

Latitude 34-04-10

Longitude: 118-26-30

Elevation: 430 Feet

Water Year from 10/01/2005 to 09/30/2006

Day	Oct	Nov	Dec	Jan	Feb	Mar	Apr	May	Jun	Jul	Aug	Sep
1				0.27			0.50					
2			T	2.41				T				
3			T	0.01		0.62	0.07					
4							1.64					
5							0.58					
6						0.08						
7						0.25						
8												
9		0.49	0.04						0.01			
10		0.12				T						
11						0.07						
12												
13												
14				0.09			0.19					T
15							0.27					
16	0.01											
17	0.86				0.01	T						
18	0.22				0.18							
19					0.26							
20												
21						0.51		0.02				
22	0.02							0.84				
23							0.01					
24	0.01											
25	0.01											
26			0.06			T						
27					0.28		T		T			
28					2.13	1.13						
29						0.97						
30												
31			1.46			T						
Totals	1.13	0.61	1.56	2.78	2.86	3.63	3.26	0.86	0.01	0.00	0.00	0.00
												Water Year Total: 16.70

NOTE: All Values are in units of inches, unless otherwise specified.

LEGEND: A - Acculated Total

E - Estimated

T - Trace, unmeasurable amount of rain

Data Revised: July 2011

PRECIPITATION

DAILY RAINFALL SUMMARY

683B Sunset Ridge

Gage Type: Standard 8 inch diameter (DPW)

Observation Time: 800

Latitude 34-12-53

Longitude: 118-08-47

Elevation: 2110 Feet

Water Year from 10/01/2005 to 09/30/2006

Day	Oct	Nov	Dec	Jan	Feb	Mar	Apr	May	Jun	Jul	Aug	Sep
1				1.52		0.01	0.47					
2				2.56								
3			0.14	0.94		0.55	0.01	0.02				
4						0.11	0.35	0.02			0.08	
5							2.00					
6							0.05					
7												
8												
9		0.20	0.07									
10		0.10										
11		0.01				0.43			0.02			
12						0.02			0.07			
13						0.01						
14				0.11			0.05					
15				0.06			1.11					0.13
16	0.93											0.26
17	1.50											
18	1.63				0.33	0.04						
19	0.08				0.28	0.14						
20					0.02	0.04						
21												
22								0.74				
23							0.05	0.20				
24												
25												
26			0.06									
27					3.72		0.02	0.21				
28	0.03											
29	0.01		0.01							0.39		
30										0.02		
31			0.01							0.01		
Totals	4.18	0.31	0.29	5.19	4.35	1.35	4.11	1.19	0.09	0.42	0.08	0.39
										Water Year Total:		21.95

NOTE: All Values are in units of inches, unless otherwise specified.

LEGEND: A - Acculated Total
 E - Estimated
 T - Trace, unmeasurable amount of rain

Data Revised: July 2011

PRECIPITATION

DAILY RAINFALL SUMMARY

716 Los Angeles-Ducommun St.

Gage Type: Standard 8 inch diameter

Observation Time: 800

Latitude 34-03-09

Longitude: 118-14-13

Elevation: 306 Feet

Water Year from 10/01/2005 to 09/30/2006

Day	Oct	Nov	Dec	Jan	Feb	Mar	Apr	May	Jun	Jul	Aug	Sep
1				1.07			0.27					
2				0.61			0.09					
3			0.25	1.04		0.05						
4						0.15	0.02					
5							2.17					
6							0.08					
7						0.19						
8												
9			0.23									
10		0.16										
11						0.11						
12												
13												
14												
15				0.07			0.47					
16												
17	0.11											
18	1.06				0.16	0.05						
19	0.01				0.13	0.16						
20					0.11							
21						0.43						
22								0.35				
23							0.39	0.12				
24												
25												
26			0.02									
27												
28					2.01	0.25						
29						1.06						
30												
31												
Totals	1.18	0.16	0.50	2.79	2.41	2.45	3.49	0.47	0.00	0.00	0.00	0.00
												Water Year Total: 13.45

NOTE: All Values are in units of inches, unless otherwise specified.

LEGEND: A - Acculated Total
 E - Estimated
 T - Trace, unmeasurable amount of rain

Data Revised: July 2011

PRECIPITATION

DAILY RAINFALL SUMMARY

726C Angeles Crest Guard Station

Gage Type: Standard 8 inch diameter (DPW)

Observation Time: 800

Latitude 34-14-01

Longitude: 118-11-04

Elevation: 2300 Feet

Water Year from 10/01/2005 to 09/30/2006

Day	Oct	Nov	Dec	Jan	Feb	Mar	Apr	May	Jun	Jul	Aug	Sep
1				6.14								
2			0.06									
3						1.06						
4							0.47					
5							3.99				0.01E	
6							0.21					
7												
8												
9		0.24	0.02									
10												
11												
12												
13												
14												
15	0.22				0.02		1.57					0.12E
16												
17												
18	3.25				0.48							
19	0.11				0.37							
20												
21												
22												
23								1.32				
24	0.49											
25												
26			1.06									
27												
28					4.54							
29							6.09					
30			0.65									
31												
Totals	4.07	0.24	1.79	6.14	5.41	7.15	6.24	1.32	0.00	0.00	0.01	0.12
	Water Year Total:											32.49

NOTE: All Values are in units of inches, unless otherwise specified.

LEGEND: A - Acculated Total
 E - Estimated
 T - Trace, unmeasurable amount of rain

Data Revised: July 2011

PRECIPITATION

DAILY RAINFALL SUMMARY

742C San Gabriel Fire Department

Gage Type: Standard 8 inch diameter

Observation Time: 800

Latitude 34-06-11

Longitude: 118-05-56

Elevation: 445 Feet

Water Year from 10/01/2005 to 09/30/2006

Day	Oct	Nov	Dec	Jan	Feb	Mar	Apr	May	Jun	Jul	Aug	Sep
1				0.19			0.66					
2			0.06	1.40								
3						0.35						
4							1.62					
5							1.61					
6						0.14						
7						0.14						
8												
9		0.04	0.07									
10		0.05										
11												
12						0.25						
13												
14				0.12			0.55					
15		0.01		0.01			0.19					
16	0.08E											
17	1.73E				0.10	0.11						
18	0.34E				0.09	0.71						
19	0.01E				0.22							
20												
21												
22								0.44				
23							0.04					
24												
25												
26			0.03									
27					1.16		0.02					
28					0.99	1.50						
29						0.18						
30												
31			1.03									
Totals	2.16	0.10	1.19	1.72	2.56	3.38	4.69	0.44	0.00	0.00	0.00	0.00
	Water Year Total:											16.24

NOTE: All Values are in units of inches, unless otherwise specified.

LEGEND: A - Acculated Total

E - Estimated

T - Trace, unmeasurable amount of rain

Data Revised: July 2011

PRECIPITATION

DAILY RAINFALL SUMMARY

749B Burbank Valley Pump Plant

Gage Type: Standard 8 inch diameter

Observation Time: 800

Latitude 34-11-11

Longitude: 118-20-54

Elevation: 655 Feet

Water Year from 10/01/2005 to 09/30/2006

Day	Oct	Nov	Dec	Jan	Feb	Mar	Apr	May	Jun	Jul	Aug	Sep
1				1.15			0.16					
2			0.03	1.62								
3						0.79						
4							0.01					
5							1.44					
6							0.60					
7						0.10						
8										0.01		
9		0.23	0.10						0.01			
10												
11						0.15						
12						0.10						
13												
14				0.22								
15							0.30					
16	1.70											
17	0.34				0.15							
18	0.16				0.10	0.02						
19					0.20	0.25						
20								0.01				
21						0.34		0.36				
22								0.37				
23							0.02					
24	0.05											
25			0.01									
26			0.03									
27							0.02					
28					2.45	0.25						
29						1.46						
30												
31			0.43									
Totals	2.25	0.23	0.60	2.99	2.90	3.46	2.55	0.74	0.02	0.00	0.00	0.00
											Water Year Total:	15.74

NOTE: All Values are in units of inches, unless otherwise specified.

LEGEND: A - Acculated Total

E - Estimated

T - Trace, unmeasurable amount of rain

Data Revised: July 2011

PRECIPITATION

DAILY RAINFALL SUMMARY

750B Palmdale-F.A.A. Airport

Gage Type: Standard 8 inch diameter (DPW)

Observation Time: 800

Latitude 34-37-20

Longitude: 118-05-00

Elevation: 2528 Feet

Water Year from 10/01/2005 to 09/30/2006

Day	Oct	Nov	Dec	Jan	Feb	Mar	Apr	May	Jun	Jul	Aug	Sep
1												
2												
3				0.73						0.06		
4												
5							0.78					
6						0.12	0.17					
7		0.02				0.01						
8						0.03						
9												
10												
11												
12												
13						0.23						
14												
15												
16												
17	0.95			0.01			0.07	0.06				
18	0.70											
19												
20												
21					0.14	0.03				0.10		
22						0.01		0.06				
23												
24												
25												
26												
27												
28					1.16							
29									0.20			
30												
31												
Totals	1.65	0.02	0.00	0.74	1.30	0.43	1.02	0.12	0.20	0.16	0.00	0.00
												Water Year Total: 5.64

NOTE: All Values are in units of inches, unless otherwise specified.

LEGEND: A - Acculated Total
 E - Estimated
 T - Trace, unmeasurable amount of rain

Data Revised: July 2011

PRECIPITATION

DAILY RAINFALL SUMMARY

794 Lower Franklin Reservoir

Gage Type: Standard 8 inch diameter

Observation Time: 800

Latitude 34-05-43

Longitude: 118-24-40

Elevation: 585 Feet

Water Year from 10/01/2005 to 09/30/2006

Day	Oct	Nov	Dec	Jan	Feb	Mar	Apr	May	Jun	Jul	Aug	Sep
1				0.70			0.37					
2				2.15								
3				0.09		0.72						
4						0.02	1.05					
5							0.73					
6							0.02					
7						0.25						
8												
9			0.04						0.02			
10		0.49										
11		0.03				0.19						
12												
13												
14												
15				0.11			0.56					
16												
17	0.13											
18	1.30				0.30	0.05						
19	0.03				0.26							
20												
21						0.45						
22								0.87				
23												
24												
25	0.05											
26			0.05									
27			0.01				0.03					
28					2.26	0.29						
29						1.60						
30												
31												
Totals	1.51	0.52	0.10	3.05	2.82	3.57	2.76	0.87	0.02	0.00	0.00	0.00
										Water Year Total:		15.22

NOTE: All Values are in units of inches, unless otherwise specified.

LEGEND: A - Acculated Total
 E - Estimated
 T - Trace, unmeasurable amount of rain

Data Revised: July 2011

PRECIPITATION

DAILY RAINFALL SUMMARY

795 **Pasadena-Jourdan**

Gage Type: Standard 8 inch diameter

Observation Time: 800

Latitude 34-08-52

Longitude: 118-05-14

Elevation: 705 Feet

Water Year from 10/01/2005 to 09/30/2006

Day	Oct	Nov	Dec	Jan	Feb	Mar	Apr	May	Jun	Jul	Aug	Sep
1				0.98								
2							0.57					
3			0.07	2.09		0.56		0.30				
4							0.49					
5							2.37					
6							0.02					
7						0.22						
8												
9												
10		0.10										
11						0.37						
12						0.07						
13						0.01						
14												
15				0.14			0.73					
16	0.02											
17	0.69											
18	1.23				0.22	0.02						
19	0.02				0.31							
20						0.03						
21						1.21						
22								0.54				
23								0.36				
24	0.10											
25												
26			0.06									
27								0.04				
28					3.15	0.30						
29						1.80						
30												
31												
Totals	2.06	0.10	0.13	3.21	3.68	4.59	4.18	1.24	0.00	0.00	0.00	0.00
												Water Year Total: 19.19

NOTE: All Values are in units of inches, unless otherwise specified.

LEGEND: A - Acculated Total

 E - Estimated

 T - Trace, unmeasurable amount of rain

Data Revised: July 2011

PRECIPITATION

DAILY RAINFALL SUMMARY

797 De Soto Reservoir

Gage Type: Standard 8 inch diameter

Observation Time: 800

Latitude 34-16-17

Longitude: 118-35-12

Elevation: 1127 Feet

Water Year from 10/01/2005 to 09/30/2006

Day	Oct	Nov	Dec	Jan	Feb	Mar	Apr	May	Jun	Jul	Aug	Sep
1				0.77			0.47					
2			0.22	1.20		0.09						
3				0.94		0.06						
4				0.01			0.16					
5							1.17					
6							0.01					
7						0.20						
8												
9		0.45										
10		0.15										
11						0.13						
12						0.12						
13						0.10						
14												
15				0.19			0.24					
16												
17	1.06											
18	0.62				0.21	0.18						
19					0.69	0.07						
20												
21						0.31						
22								0.64				
23								0.09				
24												
25	0.01											
26			0.30									
27												
28			0.01		2.64	0.27						
29						1.05						
30												
31			0.78									
Totals	1.69	0.60	1.31	3.11	3.54	2.58	2.05	0.73	0.00	0.00	0.00	0.00
											Water Year Total:	15.61

NOTE: All Values are in units of inches, unless otherwise specified.

LEGEND: A - Acculated Total

E - Estimated

T - Trace, unmeasurable amount of rain

Data Revised: July 2011

PRECIPITATION

DAILY RAINFALL SUMMARY

802C Eagle Rock Reservoir

Gage Type: Standard 8 inch diameter

Observation Time: 800

Latitude 34-08-47

Longitude: 118-11-20

Elevation: 970 Feet

Water Year from 10/01/2005 to 09/30/2006

Day	Oct	Nov	Dec	Jan	Feb	Mar	Apr	May	Jun	Jul	Aug	Sep
1				0.87			0.35					
2				0.93								
3			0.05	1.19		0.18						
4						0.29	0.08					
5							1.85					
6							0.24					
7						0.33						
8												
9		0.08	0.06									
10		0.02										
11						0.25						
12						0.15						
13												
14												T
15				0.20			0.85					
16	0.26											
17	0.82											
18	1.28				0.32	0.01						
19	0.03				0.25	0.03						
20												
21						0.83						
22								0.60				
23							0.05	0.29				
24												
25	0.05											
26			0.05									
27			0.01									
28					2.48	0.28						
29						1.49						
30												
31												
Totals	2.44	0.10	0.17	3.19	3.05	3.84	3.42	0.89	0.00	0.00	0.00	0.00
												Water Year Total: 17.10

NOTE: All Values are in units of inches, unless otherwise specified.

LEGEND: A - Acculated Total

E - Estimated

T - Trace, unmeasurable amount of rain

Data Revised: July 2011

PRECIPITATION

DAILY RAINFALL SUMMARY

807 Ascot Reservoir

Gage Type: Standard 8 inch diameter

Observation Time: 800

Latitude 34-04-46

Longitude: 118-11-14

Elevation: 620 Feet

Water Year from 10/01/2005 to 09/30/2006

Day	Oct	Nov	Dec	Jan	Feb	Mar	Apr	May	Jun	Jul	Aug	Sep
1				0.88			0.32					
2			0.04	0.92								
3				1.02		0.15						
4						0.22	0.04					
5							1.36					
6						0.26	0.12					
7						0.02						
8			0.01									
9		0.06	0.04									
10		0.01				0.19						
11						0.12						
12												
13												
14												
15							0.57					
16												
17	0.54				0.19	0.04	0.01					
18	1.13				0.17	0.11						
19	0.02				0.16							
20						0.62						
21								0.06				
22								0.41				
23							0.01	0.23				
24												
25	0.02											
26	0.01											
27					1.98	0.01						
28					0.47	1.48						
29						0.02						
30												
31			0.91			0.03						
Totals	1.72	0.07	1.00	2.82	2.97	3.27	2.43	0.70	0.00	0.00	0.00	0.00
											Water Year Total:	14.98

NOTE: All Values are in units of inches, unless otherwise specified.

LEGEND: A - Acculated Total
 E - Estimated
 T - Trace, unmeasurable amount of rain

Data Revised: July 2011

PRECIPITATION

DAILY RAINFALL SUMMARY

1006 San Pedro-City Reservoir

Gage Type: Standard 8 inch diameter

Observation Time: 800

Latitude 33-44-37

Longitude: 118-17-47

Elevation: 150 Feet

Water Year from 10/01/2005 to 09/30/2006

Day	Oct	Nov	Dec	Jan	Feb	Mar	Apr	May	Jun	Jul	Aug	Sep
1				0.63			0.12					
2				0.94			0.01					
3			0.50	0.47		0.24						
4							0.07					
5							0.58					
6												
7						0.12						
8									0.02			
9			0.02									
10		0.13										
11		0.07				0.10						
12												
13												
14												
15				0.04			0.33					
16												
17	0.27											
18	0.61				0.08	0.14						
19					0.20							
20												
21						0.19						
22								0.67				
23							0.10	0.03				
24												
25												
26			0.05									
27			0.01									
28					1.69	0.32						
29						0.93						
30												
31			0.03									
Totals	0.88	0.20	0.61	2.08	1.97	2.04	1.21	0.70	0.02	0.00	0.00	0.00
										Water Year Total:		9.71

NOTE: All Values are in units of inches, unless otherwise specified.

LEGEND: A - Acculated Total
 E - Estimated
 T - Trace, unmeasurable amount of rain

Data Revised: July 2011

PRECIPITATION

DAILY RAINFALL SUMMARY

1037 **Arcadia-Arboretum**

Gage Type: Standard 8 inch diameter (DPW)

Observation Time: 800

Latitude 34-08-48

Longitude: 118-02-59

Elevation: 565 Feet

Water Year from 10/01/2005 to 09/30/2006

Day	Oct	Nov	Dec	Jan	Feb	Mar	Apr	May	Jun	Jul	Aug	Sep
1							0.53					
2			T				T					
3			0.04	2.53		0.77	0.02					
4						0.02	0.48					
5							1.65					
6							0.01					
7						0.25			T			
8									T			
9			0.05						T			
10		0.10				0.01						
11						0.50	0.03		T			
12						0.01						
13						0.03						
14				0.06			0.76					
15				0.02			0.31					
16							T					
17	1.69					0.05						
18	0.41				0.28	0.22						
19					0.24	0.15						
20						0.02						
21						0.77		T				
22								0.60				
23							0.02	0.01				
24												
25	0.05											
26												
27					0.10		0.03	0.25				
28			T		2.98	0.71	T					
29						0.84						
30												
31			0.08									
Totals	2.15	0.10	0.17	2.61	3.60	4.35	3.84	0.86	0.00	0.00	0.00	0.00
											Water Year Total:	17.68

NOTE: All Values are in units of inches, unless otherwise specified.

LEGEND: A - Acculated Total

 E - Estimated

 T - Trace, unmeasurable amount of rain

Data Revised: July 2011

PRECIPITATION

DAILY RAINFALL SUMMARY

1058B Palmdale

Gage Type: Standard 8 inch diameter

Observation Time: 800

Latitude 34-35-17

Longitude: 118-05-31

Elevation: 2595 Feet

Water Year from 10/01/2005 to 09/30/2006

Day	Oct	Nov	Dec	Jan	Feb	Mar	Apr	May	Jun	Jul	Aug	Sep
1				0.02			0.05					
2			0.06	0.60								
3				0.02		0.02						
4						0.01	0.03					
5							0.77					
6							0.41					
7												
8												
9												
10						T						
11						0.20						
12						0.07						
13						0.06						
14												
15												
16												
17	1.09											
18	0.67				0.10							
19					0.04							
20												
21						0.18						
22												
23												
24												
25												
26												
27					0.03							
28			0.01		1.19	0.02						
29						0.58			0.11			
30												
31			0.01									
Totals	1.76	0.00	0.08	0.64	1.36	1.14	1.26	0.00	0.11	0.00	0.00	0.00
												Water Year Total: 6.35

NOTE: All Values are in units of inches, unless otherwise specified.

LEGEND: A - Acculated Total
 E - Estimated
 T - Trace, unmeasurable amount of rain

Data Revised: July 2011

PRECIPITATION

DAILY RAINFALL SUMMARY

1070 Manhattan Beach

Gage Type: Standard 8 inch diameter (DPW)

Observation Time: 800

Latitude 33-53-00

Longitude: 118-23-19

Elevation: 182 Feet

Water Year from 10/01/2005 to 09/30/2006

Day	Oct	Nov	Dec	Jan	Feb	Mar	Apr	May	Jun	Jul	Aug	Sep
1				0.65			0.21					
2				0.60				0.01				
3			0.08			0.24						
4							0.03				0.01	
5							0.70					
6												
7						0.40						
8									0.01			
9			0.03						0.01			
10		0.50										
11		0.02				0.11						
12												
13												
14												
15				0.23			0.29					
16												
17	0.35											
18					0.02							
19					0.17							
20												
21						0.14						
22								0.43				
23							0.05	0.15				
24												
25			0.04									
26												
27												
28					1.51	0.28						
29						1.29						
30												
31												
Totals	0.35	0.52	0.15	1.48	1.70	2.46	1.28	0.59	0.02	0.00	0.01	0.00
										Water Year Total:		8.56

NOTE: All Values are in units of inches, unless otherwise specified.

LEGEND: A - Acculated Total
 E - Estimated
 T - Trace, unmeasurable amount of rain

Data Revised: July 2011

PRECIPITATION

DAILY RAINFALL SUMMARY

1071B Descanso Gardens

Gage Type: Standard 8 inch diameter (DPW)

Observation Time: 800

Latitude 34-12-07

Longitude: 118-12-46

Elevation: 1325 Feet

Water Year from 10/01/2005 to 09/30/2006

Day	Oct	Nov	Dec	Jan	Feb	Mar	Apr	May	Jun	Jul	Aug	Sep
1				0.15			0.50					
2				3.55								
3			0.07	0.03		0.55	0.06					
4						0.04	1.33					
5							1.03					
6												
7						0.33						
8												
9		0.11	0.07									
10		0.06				0.13						
11						0.44			0.40			
12						0.03			0.30			
13												
14				0.29			0.52					
15							0.32					0.07
16	0.23											
17	0.56											
18	1.29				0.65							
19	0.05											
20												
21												
22								0.99				
23												
24												
25	0.19											
26			0.08									
27								0.58				
28					3.11	1.07						
29						1.99						
30												
31			1.33									
Totals	2.32	0.17	1.55	4.02	3.76	4.58	3.76	1.57	0.70	0.00	0.00	0.07
Water Year Total:												22.50

NOTE: All Values are in units of inches, unless otherwise specified.

LEGEND: A - Acculated Total
 E - Estimated
 T - Trace, unmeasurable amount of rain

Data Revised: July 2011

PRECIPITATION

DAILY RAINFALL SUMMARY

1081B Glendale-Gregg

Gage Type: Standard 8 inch diameter

Observation Time: 800

Latitude 34-11-45

Longitude: 118-14-30

Elevation: 1350 Feet

Water Year from 10/01/2005 to 09/30/2006

Day	Oct	Nov	Dec	Jan	Feb	Mar	Apr	May	Jun	Jul	Aug	Sep
1				0.23			0.61					
2			0.04	2.66				T				
3			0.06	0.02		0.71	0.07	0.03				
4							1.41				0.05	
5							0.94					
6						0.07						
7						0.22						
8												
9		0.14	0.06						0.03			
10		0.06				0.05						
11						0.37	T		T			
12						0.01			0.04			
13												
14				0.33			0.48					0.01
15							0.22					0.07
16	0.29						T					
17	1.44				0.07	0.05				T		
18	0.29				0.16	T						
19					0.29	0.22						
20												
21						0.64		T				
22							T	0.97				
23	T						0.02					
24												
25	0.16											
26			0.09			T	T					
27					0.47		0.01	0.02	T			
28			T		3.16	1.53						
29						0.90				T		
30												
31			1.06			0.02						
Totals	2.18	0.20	1.31	3.24	4.15	4.79	3.76	1.02	0.07	0.00	0.05	0.08
										Water Year Total:		20.85

NOTE: All Values are in units of inches, unless otherwise specified.

LEGEND: A - Acculated Total

E - Estimated

T - Trace, unmeasurable amount of rain

Data Revised: July 2011

PRECIPITATION

DAILY RAINFALL SUMMARY

1087 Green-Verdugo Pumping Plant

Gage Type: Standard 8 inch diameter

Observation Time: 800

Latitude 34-15-25

Longitude: 118-20-11

Elevation: 1340 Feet

Water Year from 10/01/2005 to 09/30/2006

Day	Oct	Nov	Dec	Jan	Feb	Mar	Apr	May	Jun	Jul	Aug	Sep
1				0.61		0.10	0.25					
2				1.01			0.01					
3			0.13	1.37		0.31						
4						0.56	0.12				0.11	
5							1.63				0.01	
6							0.12					
7						0.15						
8												
9		0.05	0.07						0.02			
10		0.11										
11		0.07				0.12						
12		0.01				0.44			0.01			
13						0.12						0.02
14												0.04
15				0.21			0.27					0.01
16	0.04						0.02					
17	0.76					0.03						
18	1.10				0.37	0.03						
19	0.01				0.23							
20												
21						0.67						
22								0.51				
23							0.02	0.26				
24												
25	0.04											
26	0.03		0.07									
27			0.06					0.02				
28			0.01		2.35	0.36						
29						1.18						
30						0.02						
31												
Totals	1.98	0.24	0.34	3.20	2.95	4.09	2.44	0.79	0.03	0.00	0.12	0.07
										Water Year Total:		16.25

NOTE: All Values are in units of inches, unless otherwise specified.

LEGEND: A - Acculated Total

E - Estimated

T - Trace, unmeasurable amount of rain

Data Revised: July 2011

PRECIPITATION

DAILY RAINFALL SUMMARY

1088B La Habra Heights-Mutual Water Co.

Gage Type: Standard 8 inch diameter (DPW)

Observation Time: 800

Latitude 33-56-55

Longitude: 117-57-51

Elevation: 445 Feet

Water Year from 10/01/2005 to 09/30/2006

Day	Oct	Nov	Dec	Jan	Feb	Mar	Apr	May	Jun	Jul	Aug	Sep
1				0.89			0.15					
2				0.24			0.02					
3			0.10	0.59		0.07						
4						0.38						
5							1.53					
6							0.03					
7						0.26			0.08			
8												
9			0.10						0.03			
10		0.05										
11		0.22				0.04						
12						0.06						
13												
14												
15				0.08			0.70					
16												
17	0.14											
18	1.10				0.19	0.47						
19	0.02				0.25	0.06						
20						0.01						
21						0.43						
22								0.45				
23							0.09					
24	0.02									0.06		
25												
26			0.03									
27							0.05	0.14				
28					1.54	0.24						
29						1.82						
30						0.01						
31												
Totals	1.28	0.27	0.23	1.80	1.98	3.85	2.57	0.59	0.11	0.06	0.00	0.00
												Water Year Total: 12.74

NOTE: All Values are in units of inches, unless otherwise specified.

LEGEND: A - Acculated Total

E - Estimated

T - Trace, unmeasurable amount of rain

Data Revised: July 2011

PRECIPITATION

DAILY RAINFALL SUMMARY

1114B Whittier Narrows Dam

Gage Type: Standard 8 inch diameter

Observation Time: 800

Latitude 34-01-29

Longitude: 118-05-02

Elevation: 239 Feet

Water Year from 10/01/2005 to 09/30/2006

Day	Oct	Nov	Dec	Jan	Feb	Mar	Apr	May	Jun	Jul	Aug	Sep
1				0.12			0.38					
2				1.08								
3			0.06			0.72	0.01					
4							0.87					
5							0.56					
6						0.09						
7						0.14						
8												
9			0.07									
10						0.01						
11						0.14						
12												
13						0.01						
14				0.09			0.52					
15				0.01			0.11					
16							0.01					
17	0.99					0.37						
18	0.19				0.10							
19					0.27	0.08						
20												
21						0.43						
22								0.47				
23							0.07					
24												
25												
26			0.01									
27					0.31							
28					1.84	0.86						
29						0.82						
30												
31			1.47									
Totals	1.18	0.00	1.61	1.30	2.52	3.67	2.53	0.47	0.00	0.00	0.00	0.00
	Water Year Total: 13.28											

NOTE: All Values are in units of inches, unless otherwise specified.

LEGEND: A - Acculated Total
 E - Estimated
 T - Trace, unmeasurable amount of rain

Data Revised: July 2011

PRECIPITATION

DAILY RAINFALL SUMMARY

1115 San Antonio Dam

Gage Type: Standard 8 inch diameter

Observation Time: 800

Latitude 34-09-24

Longitude: 117-40-20

Elevation: 2120 Feet

Water Year from 10/01/2005 to 09/30/2006

Day	Oct	Nov	Dec	Jan	Feb	Mar	Apr	May	Jun	Jul	Aug	Sep
1				0.12			0.53					
2				1.99								
3				0.27		0.45						
4							0.91					
5							2.49					
6						0.04	0.55					
7						0.34						
8						0.02						
9			0.04									
10		0.08				0.07	0.09					
11						0.18						
12						0.09						
13						0.06						
14							1.09					0.08
15					0.04		1.02					
16	0.82											
17	1.30					0.32						
18	0.59				0.33	0.67						
19					0.42	0.13						
20						0.02						
21						1.16						
22								0.90				
23							0.15					
24												
25	0.01											
26			0.01									
27					0.15		0.12					
28	0.04				3.27	0.96						
29						1.48						
30										0.03		
31			0.97									
Totals	2.76	0.08	1.02	2.38	4.21	5.99	6.83	1.02	0.00	0.03	0.00	0.08
												Water Year Total: 24.40

NOTE: All Values are in units of inches, unless otherwise specified.

LEGEND: A - Acculated Total
 E - Estimated
 T - Trace, unmeasurable amount of rain

Data Revised: July 2011

PRECIPITATION

DAILY RAINFALL SUMMARY

1126A Los Angeles-East Valley

Gage Type: Standard 8 inch diameter

Observation Time: 800

Latitude 34-12-30

Longitude: 118-24-35

Elevation: 780 Feet

Water Year from 10/01/2005 to 09/30/2006

Day	Oct	Nov	Dec	Jan	Feb	Mar	Apr	May	Jun	Jul	Aug	Sep
1				0.88			0.34					
2				1.42								
3			0.08	0.43		0.39						
4						0.53	0.20					
5							2.26					
6												
7						0.12						
8												
9			0.01						0.01			
10		0.34							0.01			
11		0.02				0.07						
12						0.26						
13						0.03						
14												
15				0.17			0.25					
16												
17												
18	1.65				0.30	0.03						
19	0.13				0.20	0.04						
20					0.03							
21						0.33						
22								0.41				
23							0.02	0.40				
24												
25												
26												
27												
28					1.98	0.07						
29						1.19						
30												
31												
Totals	1.78	0.36	0.09	2.90	2.51	3.06	3.07	0.81	0.02	0.00	0.00	0.00
												Water Year Total: 14.60

NOTE: All Values are in units of inches, unless otherwise specified.

LEGEND: A - Acculated Total
 E - Estimated
 T - Trace, unmeasurable amount of rain

Data Revised: July 2011

PRECIPITATION

DAILY RAINFALL SUMMARY

1158 Torrance Municipal Airport

Gage Type: Standard 8 inch diameter

Observation Time: 800

Latitude 33-47-59

Longitude: 118-20-08

Elevation: 102 Feet

Water Year from 10/01/2005 to 09/30/2006

Day	Oct	Nov	Dec	Jan	Feb	Mar	Apr	May	Jun	Jul	Aug	Sep
1				0.06			0.14					
2				1.80								
3			0.02			0.58	0.01					
4							0.46					
5							0.35					
6												
7						0.06						
8										T		
9		0.42	0.02									
10		0.04				0.03						
11		0.03				0.09						
12												
13												
14				0.08			0.18					
15				0.02			0.05					
16	0.01											
17	0.59					0.08						
18	0.38					0.18						
19						0.38						
20												
21						0.29						
22								0.65				
23							0.15			0.06		
24												
25												
26			0.01									
27												
28						1.40	0.35					
29							1.10					
30												
31			0.49									
Totals	0.98	0.49	0.54	1.96	1.96	2.58	1.34	0.65	0.00	0.06	0.00	0.00
	Water Year Total: 10.56											

NOTE: All Values are in units of inches, unless otherwise specified.

LEGEND: A - Acculated Total
 E - Estimated
 T - Trace, unmeasurable amount of rain

Data Revised: July 2011

PRECIPITATION

DAILY RAINFALL SUMMARY

1166B Mile High Ranch

Gage Type: Standard 8 inch diameter (DPW)

Observation Time: 800

Latitude 34-24-40

Longitude: 117-46-15

Elevation: 5280 Feet

Water Year from 10/01/2005 to 09/30/2006

Day	Oct	Nov	Dec	Jan	Feb	Mar	Apr	May	Jun	Jul	Aug	Sep
1												
2				2.79								
3												
4												
5							1.96					
6												
7												
8												
9												
10												
11						0.33						
12						0.04	0.16					
13												
14												
15												
16	0.16											
17	1.61											
18	0.24				0.05E							
19					0.19E							
20						0.24						
21										0.55		
22								0.13		0.07		
23												
24												
25												
26												
27					1.83E							
28					2.06E	1.10						
29						0.67						
30			T									
31												
Totals	2.01	0.00	0.00	2.79	4.13	2.38	2.12	0.13	0.00	0.62	0.00	0.00
	Water Year Total: 14.18											

NOTE: All Values are in units of inches, unless otherwise specified.

LEGEND: A - Acculated Total

E - Estimated

T - Trace, unmeasurable amount of rain

Data Revised: July 2011

PRECIPITATION

DAILY RAINFALL SUMMARY

1191 **Bear Divide**

Gage Type: Standard 8 inch diameter (DPW)

Observation Time: 800

Latitude 34-21-35

Longitude: 118-23-37

Elevation: 2700 Feet

Water Year from 10/01/2005 to 09/30/2006

Day	Oct	Nov	Dec	Jan	Feb	Mar	Apr	May	Jun	Jul	Aug	Sep
1												
2			0.12									
3						1.05						
4						0.37	1.00					
5							2.70					
6							0.33					
7						0.37						
8												
9			0.07									
10		0.15										
11							0.25					
12												
13						0.70						
14												
15												
16	0.05											
17	0.54						0.76					
18	1.30											
19	0.40				0.86							
20						0.67						
21						0.88						
22								0.84				
23												
24												
25	0.11											
26												
27					3.00							
28						0.36						
29						1.95						
30						0.26						
31												
Totals	2.40	0.15	0.19	0.00	3.86	6.61	5.04	0.84	0.00	0.00	0.00	0.00
												Water Year Total: 19.09

NOTE: All Values are in units of inches, unless otherwise specified.

LEGEND: A - Acculated Total
 E - Estimated
 T - Trace, unmeasurable amount of rain

Data Revised: July 2011

PRECIPITATION

DAILY RAINFALL SUMMARY

1194 Santa Ynez Reservoir

Gage Type: Standard 8 inch diameter

Observation Time: 800

Latitude 34-04-23

Longitude: 118-33-59

Elevation: 735 Feet

Water Year from 10/01/2005 to 09/30/2006

Day	Oct	Nov	Dec	Jan	Feb	Mar	Apr	May	Jun	Jul	Aug	Sep
1							0.71					
2			0.01	0.32				0.02				
3				0.43		1.04	0.04					
4							2.52					
5							0.23					
6						0.22						
7												
8												
9		0.61	0.02									
10		0.12				0.09						
11						0.03						
12												
13												
14							0.71					
15												
16												
17	0.76				0.27	0.03	0.13					
18	0.27				0.21							
19					0.14							
20	0.01					0.98						
21	0.01					0.01		0.32				
22								1.03				
23												
24	0.03											
25	0.01											
26							0.01					
27					1.92	0.05						
28					0.58	2.43						
29						0.08						
30												
31						0.09						
Totals	1.09	0.73	0.03	0.75	3.12	5.05	4.35	1.37	0.00	0.00	0.00	0.00
											Water Year Total:	16.49

NOTE: All Values are in units of inches, unless otherwise specified.

LEGEND: A - Acculated Total

E - Estimated

T - Trace, unmeasurable amount of rain

Data Revised: July 2011

PRECIPITATION

DAILY RAINFALL SUMMARY

1212 Lancaster FSS/FAA

Gage Type: Standard 8 inch diameter

Observation Time: 800

Latitude 34-44-00

Longitude: 118-13-00

Elevation: 2340 Feet

Water Year from 10/01/2005 to 09/30/2006

Day	Oct	Nov	Dec	Jan	Feb	Mar	Apr	May	Jun	Jul	Aug	Sep
1				0.24			0.10					
2			0.13	0.58		T						
3							0.01					
4							0.25					
5							0.23					
6					T	0.03						
7						T	T					
8	T				T							
9												
10		T				0.03						
11				T		0.08	T					
12			T			0.06						
13												
14				0.01			0.09					
15	T											
16	0.02					T						
17	1.07				0.06	0.09		0.01				
18	0.68		T		0.01							
19					0.05	T						
20						0.13	T			0.02		
21						0.01		T				
22								0.01		T		
23										T		
24												
25			T									
26								T				
27					0.59	0.01	T					
28		T	0.01		0.29	0.56						
29						0.01						
30				T								
31			0.05			0.01						
Totals	1.77	0.00	0.19	0.83	1.00	1.02	0.68	0.02	0.00	0.02	0.00	0.00
												Water Year Total: 5.53

NOTE: All Values are in units of inches, unless otherwise specified.

LEGEND: A - Acculated Total

E - Estimated

T - Trace, unmeasurable amount of rain

Data Revised: July 2011

PRECIPITATION

DAILY RAINFALL SUMMARY

1216 Rancho Palos Verdes

Gage Type: Standard 8 inch diameter (DPW)

Observation Time: 800

Latitude 33-45-10

Longitude: 118-23-32

Elevation: 780 Feet

Water Year from 10/01/2005 to 09/30/2006

Day	Oct	Nov	Dec	Jan	Feb	Mar	Apr	May	Jun	Jul	Aug	Sep
1				0.68								
2			0.09	0.55		0.04						
3						0.71	0.01				0.01	
4							0.48					
5						0.05						
6									0.01			
7									0.08			
8		0.04	0.01						0.02			
9		0.30										
10		0.04				0.15						
11						0.01						
12												
13												
14				0.04			0.23					
15							0.01					
16	0.18											
17	0.68				0.18	0.08						
18	0.01				0.27	0.01						
19	0.01											
20						0.20						
21	0.01							0.23				
22	0.01						0.09	0.15		0.01		
23	0.01											
24	0.02											
25			0.01									
26			0.01									
27					0.76	0.31						
28						0.75				0.01		
29												
30												
31			0.25			0.09						
Totals	0.93	0.38	0.37	1.27	1.21	2.40	0.82	0.38	0.11	0.02	0.01	0.00
										Water Year Total:		7.90

NOTE: All Values are in units of inches, unless otherwise specified.

LEGEND: A - Acculated Total

E - Estimated

T - Trace, unmeasurable amount of rain

Data Revised: July 2011

PRECIPITATION

DAILY RAINFALL SUMMARY

1217 Los Angeles Country Club

Gage Type: Standard 8 inch diameter (DPW)

Observation Time: 800

Latitude 34-04-10

Longitude: 118-25-17

Elevation: 380 Feet

Water Year from 10/01/2005 to 09/30/2006

Day	Oct	Nov	Dec	Jan	Feb	Mar	Apr	May	Jun	Jul	Aug	Sep
1				1.90			0.03					
2				0.89		0.20						
3							0.35					
4						0.20	1.90					
5							0.21					
6						0.36						
7												
8												
9		0.60	0.05									
10						0.06						
11												
12												
13												
14				0.12			0.55					
15												
16												
17	0.13				0.16	0.09						
18	0.82				0.22	0.01						
19	0.18				0.20							
20						0.52						
21												
22								0.42				
23								0.32				
24												
25												
26	0.01											
27			0.06		2.40	0.30						
28					0.06	2.29						
29			0.03									
30												
31			1.50			0.38						
Totals	1.14	0.60	1.64	2.91	3.04	4.41	3.04	0.74	0.00	0.00	0.00	0.00
											Water Year Total:	17.52

NOTE: All Values are in units of inches, unless otherwise specified.

LEGEND: A - Acculated Total
 E - Estimated
 T - Trace, unmeasurable amount of rain

Data Revised: July 2011

PRECIPITATION

DAILY RAINFALL SUMMARY

1222 Northridge-Garland

Gage Type: Standard 8 inch diameter (DPW)

Observation Time: 800

Latitude 34-14-17

Longitude: 118-30-59

Elevation: 911 Feet

Water Year from 10/01/2005 to 09/30/2006

Day	Oct	Nov	Dec	Jan	Feb	Mar	Apr	May	Jun	Jul	Aug	Sep
1			0.02				0.55					
2			0.10	1.90								
3				0.03		0.62	0.05					
4							1.23					
5							0.53					
6						0.08						
7						0.22						
8		0.30										
9		0.20	0.05									
10							0.03					
11						0.21						
12												
13												
14				0.16			0.15					
15							0.04					
16												
17	0.90					0.05						
18	0.50				0.49	0.08						
19												
20						0.30						
21												
22								0.73				
23												
24	0.09											
25												
26			0.23									
27					0.51							
28					1.74	1.05						
29						0.64						
30												
31			0.50									
Totals	1.49	0.50	0.90	2.09	2.74	3.25	2.58	0.73	0.00	0.00	0.00	0.00
Water Year Total:												14.28

NOTE: All Values are in units of inches, unless otherwise specified.

LEGEND: A - Acculated Total

E - Estimated

T - Trace, unmeasurable amount of rain

Data Revised: July 2011

PRECIPITATION

DAILY RAINFALL SUMMARY

1223 Woodland Hills-Sherman

Gage Type: Standard 8 inch diameter (DPW)

Observation Time: 800

Latitude 34-10-06

Longitude: 118-38-57

Elevation: 1035 Feet

Water Year from 10/01/2005 to 09/30/2006

Day	Oct	Nov	Dec	Jan	Feb	Mar	Apr	May	Jun	Jul	Aug	Sep
1				A			0.50					
2			0.03	A								
3			0.03	3.54A		0.57	0.10					
4							1.33					
5							0.63					
6						0.09						
7						0.10						
8												
9		0.43	0.01									
10		0.17				A						
11						0.29A	0.01					
12						0.03						
13												
14				0.17			A					T
15							0.31A					
16	0.01											
17	0.68				0.15	0.10						
18	0.56		T		0.10							
19					0.33							
20												
21						0.33		T				
22								1.05				
23												
24	0.01											
25	0.02											
26	0.01		0.16									
27					0.55							
28			0.02		2.03	1.49						
29			0.01			0.55						
30												
31						0.01						
Totals	1.29	0.60	0.26	3.71	3.16	3.56	2.88	1.05	0.00	0.00	0.00	0.00
												Water Year Total: 16.51

NOTE: All Values are in units of inches, unless otherwise specified.

LEGEND: A - Acculated Total

E - Estimated

T - Trace, unmeasurable amount of rain

Data Revised: July 2011

PRECIPITATION

DAILY RAINFALL SUMMARY

1240 Pearblossom-Calif.D.W.R. Booster Sta.

Gage Type: Standard 8 inch diameter

Observation Time: 800

Latitude 34-30-32

Longitude: 117-55-15

Elevation: 3050 Feet

Water Year from 10/01/2005 to 09/30/2006

Day	Oct	Nov	Dec	Jan	Feb	Mar	Apr	May	Jun	Jul	Aug	Sep
1				0.06								
2				0.10								
3			0.05	0.32								
4				T		0.08						
5						T						
6							0.83					
7						0.05	0.02					
8						0.10						
9			T									
10												
11												
12						0.10						
13												
14												
15												
16	0.07						0.06					
17	0.75											
18	0.60				0.20			0.08				
19					0.03	0.04						
20						0.02						
21						0.15		0.02				
22								0.07				
23												
24										0.54		
25												
26												
27												
28						0.68						
29												
30												
31						0.01						
Totals	1.42	0.00	0.05	0.48	0.23	1.23	0.91	0.17	0.00	0.54	0.00	0.00
										Water Year Total:		5.03

NOTE: All Values are in units of inches, unless otherwise specified.

LEGEND: A - Acculated Total

E - Estimated

T - Trace, unmeasurable amount of rain

Data Revised: July 2011

PRECIPITATION

DAILY RAINFALL SUMMARY

1251 Palos Verdes-Whites Point

Gage Type: Standard 8 inch diameter

Observation Time: 800

Latitude 33-42-50

Longitude: 118-19-02

Elevation: 100 Feet

Water Year from 10/01/2005 to 09/30/2006

Day	Oct	Nov	Dec	Jan	Feb	Mar	Apr	May	Jun	Jul	Aug	Sep
1				0.45								
2				0.96			0.08					
3				0.20		0.12						
4							0.11					
5						0.05	0.33					
6												
7						0.08			0.01			
8												
9									0.01			
10		0.22										
11						0.07						
12						0.01						
13												
14												
15				0.04			0.33					
16												
17	0.24											
18	0.77				0.06	0.18						
19					0.15							
20												
21						0.05						
22								0.58				
23							0.13					
24												
25												
26			0.13									
27												
28					1.46	0.36						
29						0.76						
30												
31												
Totals	1.01	0.22	0.13	1.65	1.67	1.68	0.98	0.58	0.02	0.00	0.00	0.00
												Water Year Total: 7.94

NOTE: All Values are in units of inches, unless otherwise specified.

LEGEND: A - Acculated Total

E - Estimated

T - Trace, unmeasurable amount of rain

Data Revised: July 2011

PRECIPITATION

DAILY RAINFALL SUMMARY

1252 Palos Verdes Landfill

Gage Type: Standard 8 inch diameter

Observation Time: 800

Latitude 33-45-40

Longitude: 118-20-03

Elevation: 400 Feet

Water Year from 10/01/2005 to 09/30/2006

Day	Oct	Nov	Dec	Jan	Feb	Mar	Apr	May	Jun	Jul	Aug	Sep
1							0.02					
2												
3				1.43		0.18						
4						0.55						
5			0.05				0.79					
6												
7												
8												
9			0.02									
10		0.50										
11		0.02				0.06						
12												
13						0.02						
14												
15												
16												
17	0.32			0.13			0.20					
18	0.46					0.18						
19	0.24											
20					0.55							
21						0.36						
22								0.65				
23							0.20	0.14				
24	0.02											
25												
26												
27												
28					1.85	0.29						
29						1.15						
30												
31												
Totals	1.04	0.52	0.07	1.56	2.40	2.79	1.21	0.79	0.00	0.00	0.00	0.00
	Water Year Total:											10.38

NOTE: All Values are in units of inches, unless otherwise specified.

LEGEND: A - Acculated Total
 E - Estimated
 T - Trace, unmeasurable amount of rain

Data Revised: July 2011

PRECIPITATION

DAILY RAINFALL SUMMARY

1253 Carson-County Sanitation

Gage Type: Standard 8 inch diameter

Observation Time: 800

Latitude 33-48-07

Longitude: 118-16-58

Elevation: 40 Feet

Water Year from 10/01/2005 to 09/30/2006

Day	Oct	Nov	Dec	Jan	Feb	Mar	Apr	May	Jun	Jul	Aug	Sep
1				0.36								
2				1.52								
3			0.04E			0.50	T					
4							0.63					
5			0.03E				0.11					
6						0.08						
7						0.01						
8												
9			0.01E									
10		0.21E				0.01						
11		0.04E				0.01						
12						T						
13												
14				0.06			0.22					T
15							0.01					
16	0.21											
17	0.40				0.06	0.19						
18	0.30				0.12							
19					0.23							
20						0.14						
21								T				
22							0.03	0.76				
23							0.08					
24							T					
25												
26			0.02E									
27					0.85	0.01		0.01				
28					0.64	1.12						
29						0.12						
30												
31			0.01E			0.10						
Totals	0.91	0.25	0.11	1.94	1.90	2.29	1.08	0.77	0.00	0.00	0.00	0.00
	Water Year Total:											9.25

NOTE: All Values are in units of inches, unless otherwise specified.

LEGEND: A - Acculated Total

E - Estimated

T - Trace, unmeasurable amount of rain

Data Revised: July 2011

PRECIPITATION

DAILY RAINFALL SUMMARY

1254 Long Beach Reclamation Plant

Gage Type: Standard 8 inch diameter

Observation Time: 800

Latitude 33-48-11

Longitude: 118-05-20

Elevation: 20 Feet

Water Year from 10/01/2005 to 09/30/2006

Day	Oct	Nov	Dec	Jan	Feb	Mar	Apr	May	Jun	Jul	Aug	Sep
1				0.41								
2				0.34		0.02						
3						0.19	0.11					
4							1.35					
5												
6						0.18						
7												
8			0.10									
9		0.06										
10		0.13				0.01						
11						0.10						
12												
13												
14				0.18			0.23					
15												
16	0.21											
17	0.40				0.06	0.10						
18	0.03				0.13							
19					0.05							
20						0.15		0.01				
21								0.65				
22							0.04	0.01				
23												
24												
25			0.02									
26												
27					2.15	0.28						
28						0.94						
29												
30												
31			0.59			0.05						
Totals	0.64	0.19	0.71	0.93	2.39	2.02	1.73	0.67	0.00	0.00	0.00	0.00
												Water Year Total: 9.28

NOTE: All Values are in units of inches, unless otherwise specified.

LEGEND: A - Acculated Total

E - Estimated

T - Trace, unmeasurable amount of rain

Data Revised: July 2011

PRECIPITATION

DAILY RAINFALL SUMMARY

1255 Los Coyotes Reclamation Plant

Gage Type: Standard 8 inch diameter

Observation Time: 800

Latitude 33-53-05

Longitude: 118-06-24

Elevation: 70 Feet

Water Year from 10/01/2005 to 09/30/2006

Day	Oct	Nov	Dec	Jan	Feb	Mar	Apr	May	Jun	Jul	Aug	Sep
1				0.41			0.02					
2				0.62		0.03						
3						0.35	0.01					
4							0.98					
5												
6						0.18						
7												
8			0.07									
9		0.05										
10		0.01				0.08						
11						0.02						
12						0.01						
13												
14				0.11			0.38					
15	T											
16	0.08											
17	0.45				0.07	0.17						
18	0.02				0.29							
19					0.01							
20						0.22						
21								0.55				
22							0.05	0.02				
23												
24												
25			0.02			0.01						
26			0.01									
27					1.44	0.28						
28						1.35						
29						0.01						
30												
31			0.61			0.06						
Totals	0.55	0.06	0.71	1.14	1.81	2.77	1.44	0.57	0.00	0.00	0.00	0.00
											Water Year Total:	9.05

NOTE: All Values are in units of inches, unless otherwise specified.

LEGEND: A - Acculated Total

E - Estimated

T - Trace, unmeasurable amount of rain

Data Revised: July 2011

PRECIPITATION

DAILY RAINFALL SUMMARY

1256 South Gate Transfer Station

Gage Type: Standard 8 inch diameter

Observation Time: 800

Latitude 33-56-40

Longitude: 118-09-56

Elevation: 100 Feet

Water Year from 10/01/2005 to 09/30/2006

Day	Oct	Nov	Dec	Jan	Feb	Mar	Apr	May	Jun	Jul	Aug	Sep
1						0.06	0.05					
2												
3				2.00			0.30					
4						0.80	0.02					
5			0.07				0.90					
6							0.15					
7						0.20						
8												
9			0.03									
10		0.08										
11		0.08				0.15						
12												
13												
14												
15												
16												
17	0.17			0.15			0.36					
18	0.78				0.05	0.05						
19	0.07											
20					0.32							
21						0.38						
22								0.34				
23							0.08	0.15				
24												
25												
26												
27												
28					1.54	0.26						
29						1.45						
30						0.01						
31												
Totals	1.02	0.16	0.10	2.15	1.91	3.36	1.86	0.49	0.00	0.00	0.00	0.00
											Water Year Total:	11.05

NOTE: All Values are in units of inches, unless otherwise specified.

LEGEND: A - Acculated Total

E - Estimated

T - Trace, unmeasurable amount of rain

Data Revised: July 2011

PRECIPITATION

DAILY RAINFALL SUMMARY

1257 San Jose Creek Reclamation Plant

Gage Type: Standard 8 inch diameter

Observation Time: 800

Latitude 34-01-55

Longitude: 118-01-16

Elevation: 275 Feet

Water Year from 10/01/2005 to 09/30/2006

Day	Oct	Nov	Dec	Jan	Feb	Mar	Apr	May	Jun	Jul	Aug	Sep
1				0.31			0.22					
2				1.20		0.05						
3						0.42	T					
4							1.31					
5												
6						0.29						
7												
8			0.10									
9		0.02										
10		0.30				0.17						
11						0.02						
12												
13												
14				0.14			0.88					
15	0.01											
16	0.37											
17	1.11				0.10	0.28						
18	0.02				0.27	0.03						
19												
20						0.50						
21								0.34				
22							0.12	0.16				
23												
24												
25						0.01						
26			0.02					0.02				
27					2.11	0.25						
28					0.02	1.32						
29												
30												
31			1.32			0.20						
Totals	1.51	0.32	1.44	1.65	2.50	3.54	2.53	0.52	0.00	0.00	0.00	0.00
											Water Year Total:	14.01

NOTE: All Values are in units of inches, unless otherwise specified.

LEGEND: A - Acculated Total
 E - Estimated
 T - Trace, unmeasurable amount of rain

Data Revised: July 2011

PRECIPITATION

DAILY RAINFALL SUMMARY

1258 Puente Hills Landfill

Gage Type: Standard 8 inch diameter

Observation Time: 800

Latitude 34-01-35

Longitude: 118-01-49

Elevation: 300 Feet

Water Year from 10/01/2005 to 09/30/2006

Day	Oct	Nov	Dec	Jan	Feb	Mar	Apr	May	Jun	Jul	Aug	Sep
1							0.15					
2												
3				3.17		0.02	0.25					
4						0.49	0.01					
5			0.15				1.66					
6							0.18					
7						0.30						
8												
9			0.10									
10		0.04										
11		0.29				0.35						
12												
13						0.03						
14												
15												
16												
17	0.30			0.14			0.92					
18	1.12				0.10	0.22						
19	0.01					0.02						
20					0.31	0.58						
21												
22								0.37				
23							0.08	0.14				
24	0.02											
25												
26												
27			0.04			0.01	0.02					
28					2.00	0.34						
29						1.31						
30												
31												
Totals	1.45	0.33	0.29	3.31	2.41	3.67	3.27	0.51	0.00	0.00	0.00	0.00
												Water Year Total: 15.24

NOTE: All Values are in units of inches, unless otherwise specified.

LEGEND: A - Acculated Total
 E - Estimated
 T - Trace, unmeasurable amount of rain

Data Revised: July 2011

PRECIPITATION

DAILY RAINFALL SUMMARY

1259 Whittier Narrows Reclamation Plant

Gage Type: Standard 8 inch diameter

Observation Time: 800

Latitude 34-03-59

Longitude: 118-03-54

Elevation: 225 Feet

Water Year from 10/01/2005 to 09/30/2006

Day	Oct	Nov	Dec	Jan	Feb	Mar	Apr	May	Jun	Jul	Aug	Sep
1				0.40			0.03					
2				0.51		0.05						
3						0.57	T					
4							1.35					
5												
6						0.27						
7												
8			0.08									
9		T										
10		0.03				0.07	T					
11						0.08						
12						0.03						
13												
14				0.10			0.72					
15							0.02					
16	0.35											
17	1.07				0.13	0.27						
18	0.01				0.19	0.11						
19					0.09	0.02						
20						0.43						
21								0.38				
22							0.15	0.12				
23							0.01					
24												
25			T			0.03						
26			0.02									
27					2.00	0.26						
28					0.01	1.21						
29												
30												
31			1.46			0.42						
Totals	1.43	0.03	1.56	1.01	2.42	3.82	2.28	0.50	0.00	0.00	0.00	0.00
Water Year Total:												13.05

NOTE: All Values are in units of inches, unless otherwise specified.

LEGEND: A - Acculated Total

E - Estimated

T - Trace, unmeasurable amount of rain

Data Revised: July 2011

PRECIPITATION

DAILY RAINFALL SUMMARY

1260 Spadra Landfill

Gage Type: Standard 8 inch diameter

Observation Time: 800

Latitude 34-02-36

Longitude: 117-49-50

Elevation: 700 Feet

Water Year from 10/01/2005 to 09/30/2006

Day	Oct	Nov	Dec	Jan	Feb	Mar	Apr	May	Jun	Jul	Aug	Sep
1						0.12						
2												
3				1.76			0.31					
4						0.33	0.04					
5			0.20				1.75					
6							0.11					
7						0.25						
8												
9			0.05									
10		0.07										
11												
12												
13						0.72						
14												
15												
16												
17	0.32			0.06			0.68					
18	0.92											
19	0.03											
20					0.75	0.25						
21						0.38						
22								0.34				
23							0.07	0.13				
24												
25												
26												
27			0.05			0.05						
28					2.10	0.20						
29						1.80						
30						0.06						
31												
Totals	1.27	0.07	0.30	1.82	2.85	4.16	2.96	0.47	0.00	0.00	0.00	0.00
											Water Year Total:	13.90

NOTE: All Values are in units of inches, unless otherwise specified.

LEGEND: A - Acculated Total

E - Estimated

T - Trace, unmeasurable amount of rain

Data Revised: July 2011

PRECIPITATION

DAILY RAINFALL SUMMARY

1261 La Canada Reclamation Plant

Gage Type: Standard 8 inch diameter

Observation Time: 800

Latitude 34-13-00

Longitude: 118-11-14

Elevation: 1800 Feet

Water Year from 10/01/2005 to 09/30/2006

Day	Oct	Nov	Dec	Jan	Feb	Mar	Apr	May	Jun	Jul	Aug	Sep
1				1.31			0.33					
2				1.97		0.25						
3						0.38	0.06					
4							2.32					
5												
6						0.47						
7												
8			0.06									
9		0.15										
10		0.13				0.24						
11						0.24						
12												
13												
14				0.19			0.85					
15	0.08											
16	1.56											
17	1.51					0.09						
18	0.05				0.67							
19												
20						0.86						
21								0.50				
22								0.67				
23												
24	0.24											
25												
26			0.06									
27					3.50	0.42						
28						2.08						
29												
30												
31			1.79			0.32						
Totals	3.44	0.28	1.91	3.47	4.17	5.35	3.56	1.17	0.00	0.00	0.00	0.00
	Water Year Total: 23.35											

NOTE: All Values are in units of inches, unless otherwise specified.

LEGEND: A - Acculated Total
 E - Estimated
 T - Trace, unmeasurable amount of rain

Data Revised: July 2011

PRECIPITATION

DAILY RAINFALL SUMMARY

1262 Saugus Reclamation Plant

Gage Type: Standard 8 inch diameter

Observation Time: 800

Latitude 34-24-48

Longitude: 118-32-23

Elevation: 1150 Feet

Water Year from 10/01/2005 to 09/30/2006

Day	Oct	Nov	Dec	Jan	Feb	Mar	Apr	May	Jun	Jul	Aug	Sep
1				1.38			0.02					
2				1.45		0.08						
3						0.07	0.19					
4							1.15					
5												
6						0.19						
7												
8			0.02									
9		0.11										
10		0.06				0.14	0.45					
11						0.02						
12						0.22						
13												
14				0.13			0.52					
15												
16	0.50											
17	0.87				0.32	0.04						
18	0.11				0.35	0.03						
19												
20						0.43		T				
21								0.60				
22								0.08				
23												
24	0.05											
25			0.02									
26												
27					2.44	0.23						
28			0.02			1.31						
29												
30												
31			0.47			0.31						
Totals	1.53	0.17	0.53	2.96	3.11	3.07	2.33	0.68	0.00	0.00	0.00	0.00
											Water Year Total:	14.38

NOTE: All Values are in units of inches, unless otherwise specified.

LEGEND: A - Acculated Total

E - Estimated

T - Trace, unmeasurable amount of rain

Data Revised: July 2011

PRECIPITATION

DAILY RAINFALL SUMMARY

1263 **Valencia Reclamation Plant**

Gage Type: Standard 8 inch diameter

Observation Time: 800

Latitude 34-25-55

Longitude: 118-37-13

Elevation: 1000 Feet

Water Year from 10/01/2005 to 09/30/2006

Day	Oct	Nov	Dec	Jan	Feb	Mar	Apr	May	Jun	Jul	Aug	Sep
1				0.92			T					
2				1.25		0.12						
3						0.06	0.25					
4							1.32					
5												
6						0.26						
7												
8			0.02									
9		0.18										
10		0.04				0.14	0.15					
11						0.01						
12						0.04						
13												
14				0.08			0.56					
15							0.01					
16	0.44											
17	1.12				0.25	0.06						
18	0.11				0.28	0.01						
19					0.01	T						
20						0.36		0.01				
21								0.45				
22								0.09				
23												
24	0.03											
25			0.06									
26			0.01									
27					2.42	0.18						
28			0.04		0.08	1.34						
29												
30												
31			0.41			0.22						
Totals	1.70	0.22	0.54	2.25	3.04	2.80	2.29	0.55	0.00	0.00	0.00	0.00
											Water Year Total:	13.39

NOTE: All Values are in units of inches, unless otherwise specified.

LEGEND: A - Acculated Total

 E - Estimated

 T - Trace, unmeasurable amount of rain

Data Revised: July 2011

PRECIPITATION

DAILY RAINFALL SUMMARY

1264 Calabasas Landfill

Gage Type: Standard 8 inch diameter

Observation Time: 800

Latitude 34-08-25

Longitude: 118-42-35

Elevation: 800 Feet

Water Year from 10/01/2005 to 09/30/2006

Day	Oct	Nov	Dec	Jan	Feb	Mar	Apr	May	Jun	Jul	Aug	Sep
1							0.46					
2												
3				4.32		0.28						
4						0.08	0.35					
5			0.05				1.47					
6							0.03					
7						0.13						
8												
9		0.06										
10		0.45										
11						0.18	0.08					
12												
13						0.12						
14												
15												
16												
17	0.06			0.09			0.39					
18	0.88				0.20	0.22						
19	0.15											
20					0.32							
21						0.30						
22								0.94				
23								0.31				
24												
25	0.02											
26			0.12									
27												
28					3.00	0.39						
29			0.03			1.80						
30												
31												
Totals	1.11	0.51	0.20	4.41	3.52	3.50	2.78	1.25	0.00	0.00	0.00	0.00
												Water Year Total: 17.28

NOTE: All Values are in units of inches, unless otherwise specified.

LEGEND: A - Acculated Total
 E - Estimated
 T - Trace, unmeasurable amount of rain

Data Revised: July 2011

PRECIPITATION

DAILY RAINFALL SUMMARY

1265 Scholl Canyon Landfill

Gage Type: Standard 8 inch diameter

Observation Time: 800

Latitude 34-08-38

Longitude: 118-11-07

Elevation: 1000 Feet

Water Year from 10/01/2005 to 09/30/2006

Day	Oct	Nov	Dec	Jan	Feb	Mar	Apr	May	Jun	Jul	Aug	Sep
1							0.32					
2				1.70								
3				1.40		0.17		0.02				
4						0.30	0.09					
5			0.06				2.00					
6							0.40					
7						0.30						
8												
9			0.06									
10		0.14							0.06			
11						0.32						
12												
13						0.14						
14												
15												0.01
16												
17	1.14			0.20			0.87					
18	1.40				0.26	0.01						
19	0.08											
20					0.26	0.05						
21						0.80						
22								0.49				
23							0.02	0.35				
24	0.04		0.03									
25	0.07											
26												
27			0.02				0.01					
28					2.73	0.25						
29						1.54						
30						0.01						
31												
Totals	2.73	0.14	0.17	3.30	3.25	3.89	3.71	0.86	0.06	0.00	0.00	0.01
												Water Year Total: 18.12

NOTE: All Values are in units of inches, unless otherwise specified.

LEGEND: A - Acculated Total

E - Estimated

T - Trace, unmeasurable amount of rain

Data Revised: July 2011

PRECIPITATION

DAILY RAINFALL SUMMARY

1266 **Mission Canyon Landfill**

Gage Type: Standard 8 inch diameter

Observation Time: 800

Latitude 34-08-40

Longitude: 118-28-45

Elevation: 1150 Feet

Water Year from 10/01/2005 to 09/30/2006

Day	Oct	Nov	Dec	Jan	Feb	Mar	Apr	May	Jun	Jul	Aug	Sep
1												
2												
3				4.00		0.83	0.46					
4						0.28	0.38					
5			0.02				1.52					
6							0.04					
7						0.22						
8												
9		0.08	0.02									
10		0.62										
11												
12												
13						0.06						
14												
15												
16												
17	0.09			0.06			0.41					
18	0.85											
19	0.05											
20					0.48	0.07						
21						0.52						
22								0.64				
23								0.24				
24	0.06											
25	0.09											
26												
27			0.07				0.02					
28					2.38	0.26						
29						1.63						
30												
31												
Totals	1.14	0.70	0.11	4.06	2.86	3.87	2.83	0.88	0.00	0.00	0.00	0.00
											Water Year Total:	16.45

NOTE: All Values are in units of inches, unless otherwise specified.

LEGEND: A - Acculated Total

 E - Estimated

 T - Trace, unmeasurable amount of rain

Data Revised: July 2011

PRECIPITATION

DAILY RAINFALL SUMMARY

1267 **Lancaster Reclamation Plant**

Gage Type: Standard 8 inch diameter

Observation Time: 800

Latitude 34-46-38

Longitude: 118-09-11

Elevation: 2302 Feet

Water Year from 10/01/2005 to 09/30/2006

Day	Oct	Nov	Dec	Jan	Feb	Mar	Apr	May	Jun	Jul	Aug	Sep
1				0.23								
2			0.15E	0.55		0.23						
3						0.28	0.01					
4							0.31					
5												
6						0.03						
7												
8												
9												
10						0.03						
11						0.05						
12						0.04						
13												
14							0.07					
15												
16	0.55											
17	1.10				0.06	0.05		0.21				
18					0.05							
19												
20						0.09						
21												
22												
23												
24												
25												
26												
27					0.64							
28					0.06	0.77						
29						0.05						
30												
31			0.04			0.10						
Totals	1.65	0.00	0.19	0.78	0.81	1.72	0.39	0.21	0.00	0.00	0.00	0.00
												Water Year Total: 5.75

NOTE: All Values are in units of inches, unless otherwise specified.

LEGEND: A - Acculated Total

 E - Estimated

 T - Trace, unmeasurable amount of rain

Data Revised: July 2011

PRECIPITATION

DAILY RAINFALL SUMMARY

1268 Palmdale Reclamation Plant

Gage Type: Standard 8 inch diameter

Observation Time: 800

Latitude 34-35-30

Longitude: 118-05-10

Elevation: 2565 Feet

Water Year from 10/01/2005 to 09/30/2006

Day	Oct	Nov	Dec	Jan	Feb	Mar	Apr	May	Jun	Jul	Aug	Sep
1				0.15								
2				0.51		0.01						
3						0.10						
4							0.67					
5												
6												
7												
8												
9												
10						0.06						
11						0.07						
12						0.03						
13												
14							0.06					
15	0.02											
16	0.80											
17	0.65				0.12	0.05		0.03				
18	0.01				0.01	0.02						
19					0.01							
20						0.21		T				
21								0.02				
22												
23												
24												
25												
26												
27					1.10	0.01						
28			0.01			0.61						
29												
30												
31			0.05			0.05						
Totals	1.48	0.00	0.06	0.66	1.24	1.22	0.73	0.05	0.00	0.00	0.00	0.00
	Water Year Total:											5.44

NOTE: All Values are in units of inches, unless otherwise specified.

LEGEND: A - Acculated Total

E - Estimated

T - Trace, unmeasurable amount of rain

Data Revised: July 2011

PRECIPITATION

DAILY RAINFALL SUMMARY

1271 Pomona Waste Reclamation Plant

Gage Type: Standard 8 inch diameter

Observation Time: 800

Latitude 34-03-18

Longitude: 117-47-34

Elevation: 786 Feet

Water Year from 10/01/2005 to 09/30/2006

Day	Oct	Nov	Dec	Jan	Feb	Mar	Apr	May	Jun	Jul	Aug	Sep
1				0.16			0.16					
2				0.85								
3						0.37						
4							1.93					
5												
6						0.22						
7												
8			0.04									
9												
10						0.27						
11						0.40						
12						0.02						
13												
14				0.07			0.82					
15												
16	0.45											
17	0.86				0.31	0.48						
18	0.35				0.20	0.03						
19					0.20	0.02						
20						0.45						
21								0.31				
22							0.07	0.12				
23												
24												
25			0.01			0.02						
26			0.01									
27					2.19	0.20						
28					0.02	1.73						
29												
30												
31			1.10			0.17						
Totals	1.66	0.00	1.16	1.08	2.92	4.38	2.98	0.43	0.00	0.00	0.00	0.00
											Water Year Total:	14.61

NOTE: All Values are in units of inches, unless otherwise specified.

LEGEND: A - Acculated Total

E - Estimated

T - Trace, unmeasurable amount of rain

Data Revised: July 2011

PRECIPITATION

DAILY RAINFALL SUMMARY

1274 Whittier - Valna Drive

Gage Type: Standard 8 inch diameter (DPW)

Observation Time: 800

Latitude 33-57-39

Longitude: 118-01-10

Elevation: 255 Feet

Water Year from 10/01/2005 to 09/30/2006

Day	Oct	Nov	Dec	Jan	Feb	Mar	Apr	May	Jun	Jul	Aug	Sep
1							0.09					
2				0.33			0.05					
3			0.08	1.12								
4						0.08	0.04					
5						0.40	1.10					
6							0.03					
7						0.05						
8						0.18						
9			0.09									
10		0.01										
11		0.09				0.02						
12		T				0.04						
13												
14												
15				0.10			0.39					
16												
17	0.14											
18	1.28				0.09	0.03						
19					0.26	0.07						
20						0.03						
21						0.25						
22						0.13		0.43				
23	0.01						0.16	0.19				
24										0.17		
25												
26						0.01						
27						0.01	0.04					
28			0.05		1.86	0.25						
29						1.33						
30						0.09						
31			1.00									
Totals	1.43	0.10	1.22	1.55	2.21	2.97	1.90	0.62	0.00	0.17	0.00	0.00
										Water Year Total:		12.17

NOTE: All Values are in units of inches, unless otherwise specified.

LEGEND: A - Acculated Total
 E - Estimated
 T - Trace, unmeasurable amount of rain

Data Revised: July 2011

APPENDIX B

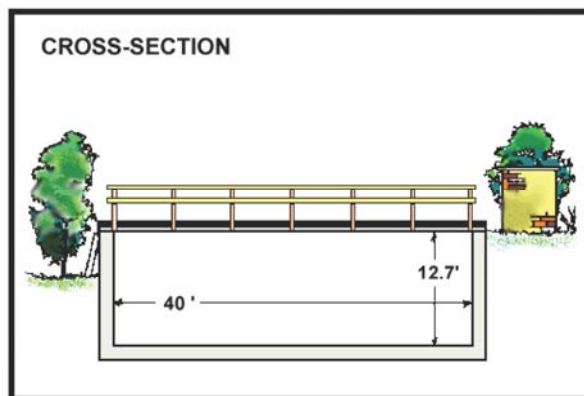
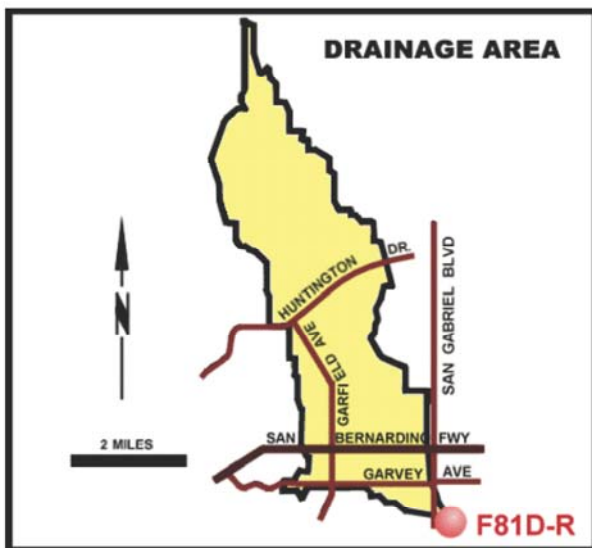
HYDROLOGIC REPORT 2005 – 2006

RUNOFF - STREAM GAGING STATION INFORMATION

RUNOFF - STREAM GAGING STATION INFORMATION

ALHAMBRA WASH

above Klingerman Street
STATION NO. F81D-R



RECORDER 5 min. interval data logger.

METHOD OF MEASUREMENT wading or from footbridge.

DRAINAGE AREA 15.20 square miles.

LOCATION 250 feet *above* Klingerman Street and 2650 feet *below* Garvey Avenue, South San Gabriel

REGULATION none.

DIVERSION none.

CHANNEL concrete, rectangular in section, 40.0 feet wide by 12.7 feet deep.

CONTROL channel forms control.

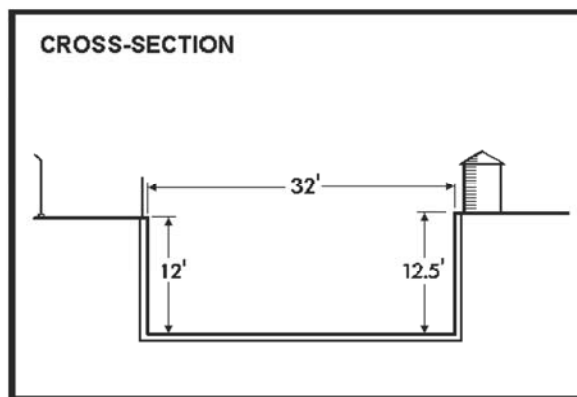
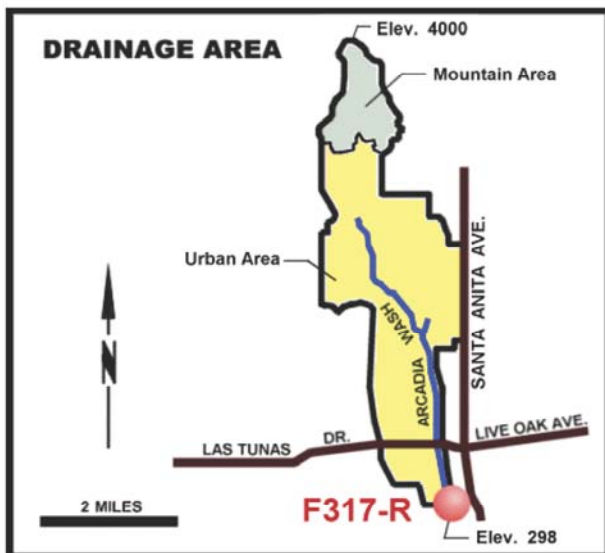
LENGTH OF RECORD at Station F81-R, January 14, 1930 to September 30, 1934; at Station F81B-R, October 1, 1934 to February 25, 1935; at Station F81C-R February 25, 1935 to April 27, 1936; at Station F81B-R April 27, 1936 to May 22, 1936; at Station F81D-R, September 2, 1936 to date.

RUNOFF - STREAM GAGING STATION INFORMATION

ARCADIA WASH

below Grand Avenue

STATION NO. F317-R



RECORDER 5 min. interval data logger.

METHOD OF MEASUREMENT low flows measured by wading. High flows measured from upstream side of Grand Avenue bridge.

DRAINAGE AREA 8.50 square miles.

LOCATION on the west wall of Arcadia Wash about 75 feet downstream from centerline of Grand Avenue.

REGULATION several debris basins located upstream.

DIVERSION none.

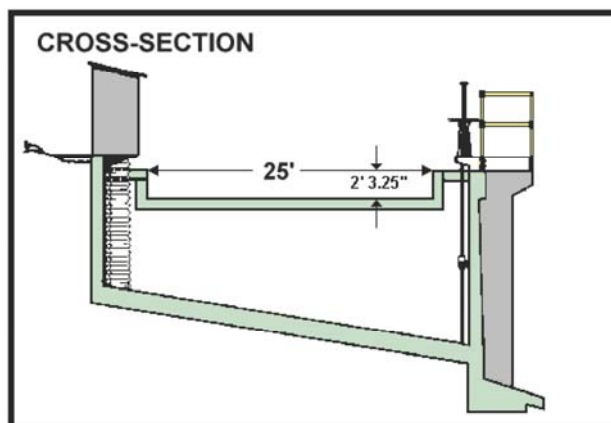
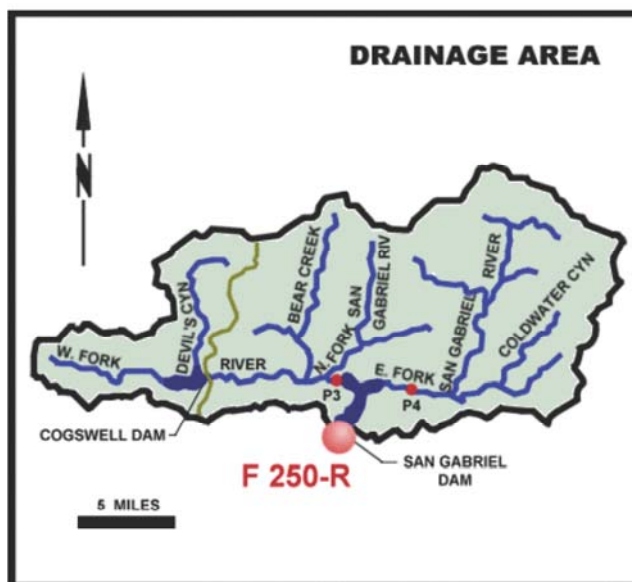
CHANNEL concrete, rectangular section.

CONTROL LENGTH OF RECORD December 12, 1955 to date.

RUNOFF - STREAM GAGING STATION INFORMATION

AZUSA CONDUIT

(Sandbox 20' weir)
STATION NO. F250-R



RECORDER 5 min. interval data logger.

METHOD OF MEASUREMENT weir formula with gage height observation.

DRAINAGE AREA 202.70 square miles.

LOCATION on the concrete conduit which diverts from San Gabriel Dam, 160 feet below the dam.

REGULATION regulated in section.

DIVERSION none.

CHANNEL 25-foot concrete weir.

CONTROL channel forms control.

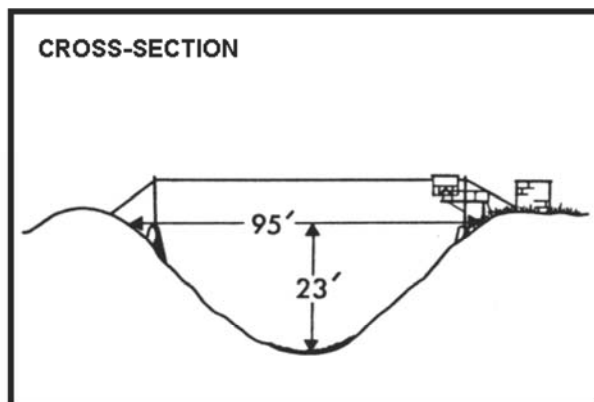
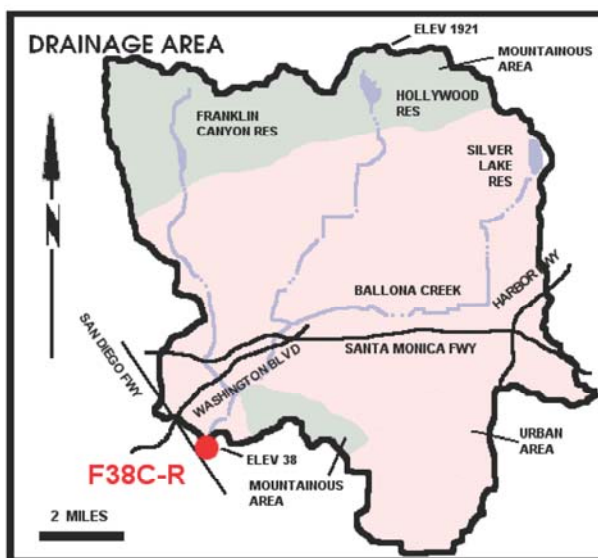
LENGTH OF RECORD February 26, 1933 to date.

REMARKS approximate capacity 95 second-feet.

RUNOFF - STREAM GAGING STATION INFORMATION

BALLONA CREEK

above Sawtelle Blvd.
STATION NO. F38C-R



RECORDER continuous water stage.

METHOD OF MEASUREMENT wading or from cable car.

DRAINAGE AREA 88.60 square miles.

LOCATION 530.0 feet above Sawtelle Boulevard, 1.5 miles southwest of Culver City.

REGULATION Stone Canyon Reservoir prior to January, 1951. Upper and Lower Franklin Canyon Reservoir, Hollywood Reservoir, and Silverlake Reservoir.

DIVERSION none.

CHANNEL concrete rubble, trapezoidal in section.

CONTROL channel forms control.

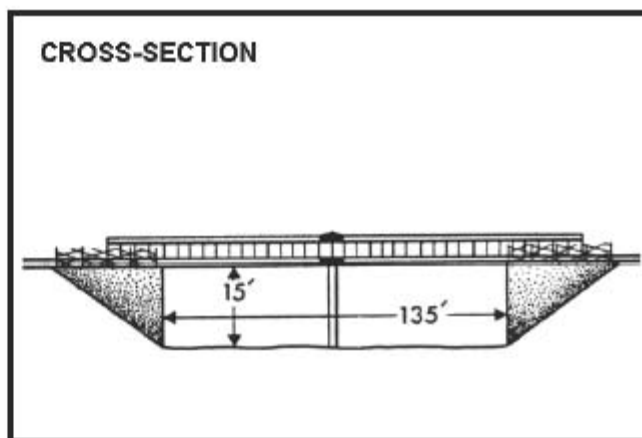
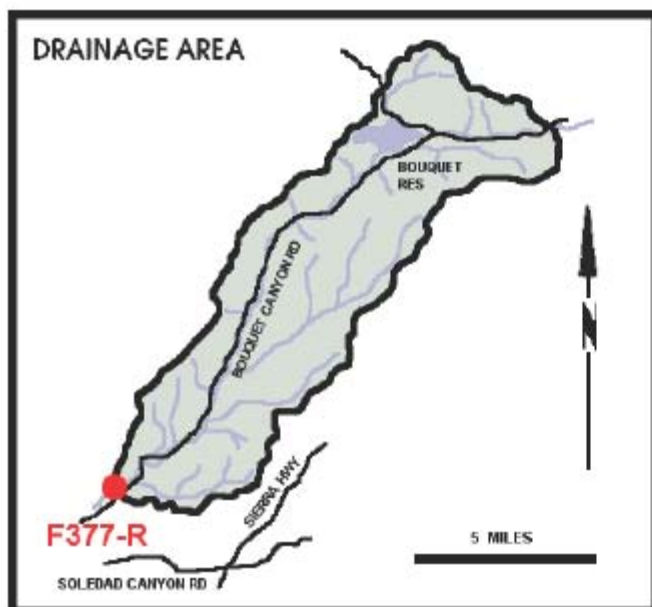
LENGTH OF RECORD at station F38-R, February 27, 1928 to April 27, 1936; at Station F38B-R, May 14, 1936 to August 10, 1967; at Station F38C-R, August 10, 1967 to date.

RUNOFF - STREAM GAGING STATION INFORMATION

BOUQUET CANYON CREEK

@ Urbandale Avenue

STATION NO. F377-R



RECORDER continuous water stage.

METHOD OF MEASUREMENT wading or from bridge.

DRAINAGE AREA 51.90 square miles.

LOCATION Bouquet Canyon Creek @ Urbandale Avenue, 3.5 miles northeast of Saugus.

REGULATION Bouquet Reservoir.

DIVERSION none.

CHANNEL concrete sides with natural bottom, trapezoidal in section.

CONTROL concrete stabilizer.

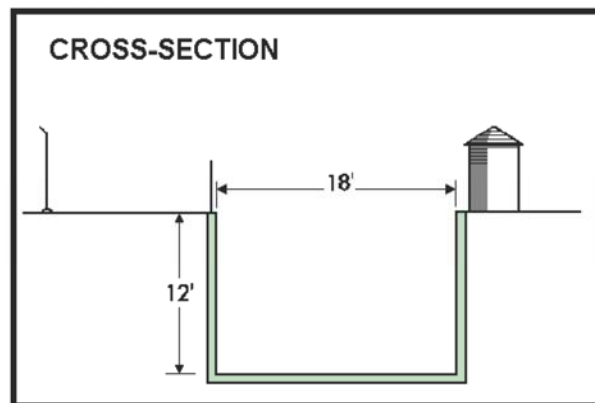
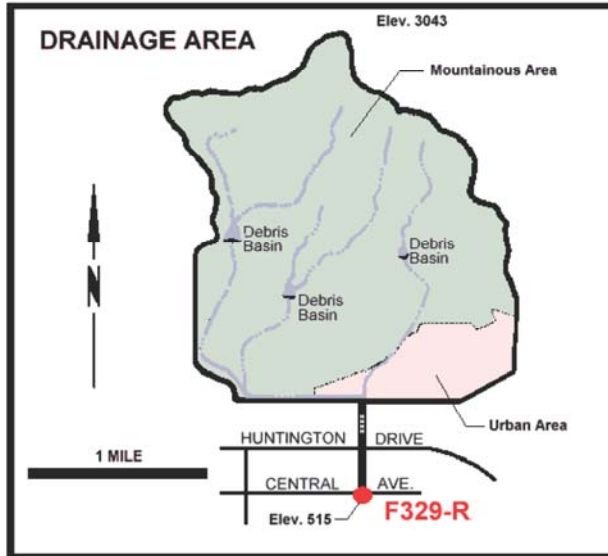
LENGTH OF RECORD October 11, 1967 to date.

RUNOFF - STREAM GAGING STATION INFORMATION

BRADBURY CHANNEL

below Central Avenue

STATION NO. F329-R



RECORDER 5 min. interval data logger.

METHOD OF MEASUREMENT low flows measured by wading. High flows measured from footbridge four feet downstream from recorder.

DRAINAGE AREA 3.30 square miles.

LOCATION on the east wall of Bradbury Channel, 200 feet downstream from the centerline of Central Avenue, one mile east of Duarte.

REGULATION two debris basins located upstream.

DIVERSION none.

CHANNEL rectangular concrete, 18 feet wide, 12 feet deep.

CONTROL channel forms control.

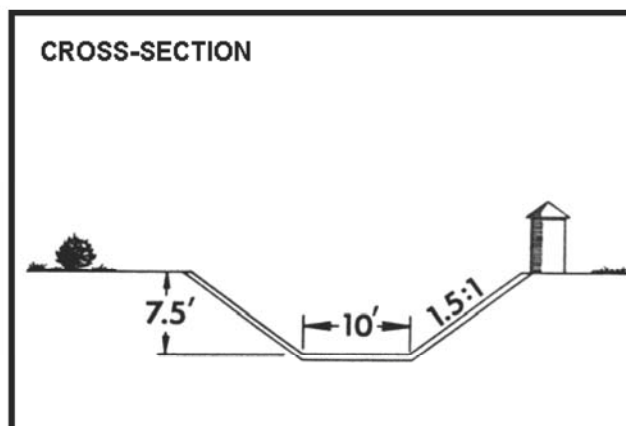
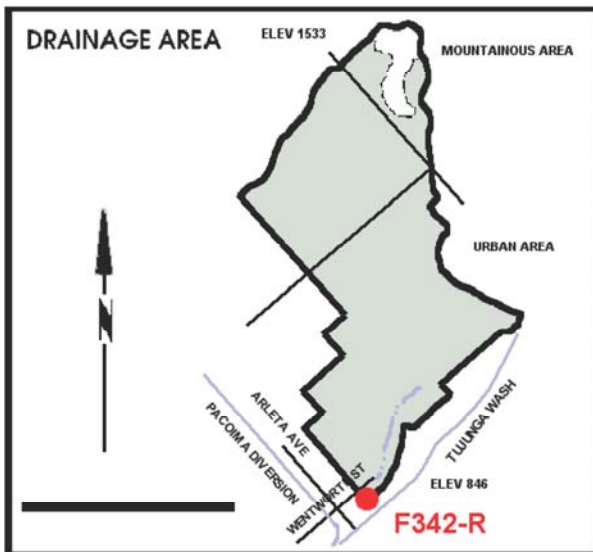
LENGTH OF RECORD June 14, 1957 to date.

RUNOFF - STREAM GAGING STATION INFORMATION

BRANFORD STREET CHANNEL

below Sharp Avenue

STATION NO. F342-R



RECORDER 15 min. punch tape.

METHOD OF MEASUREMENT low flows measured by wading. High flows measured by floats.

DRAINAGE AREA 5.01 square miles.

LOCATION on the south bank of channel, 125 feet downstream from Sharp Avenue, about 3.6 miles south of San Fernando.

REGULATION flow from Lopez Creek is diverted to Hansen Dam at the mouth of Lopez Canyon.

DIVERSION none.

CHANNEL trapezoidal, 10 feet wide at bottom and 7.5 feet deep with 1.5 to 1 side slopes.

CONTROL channel forms control.

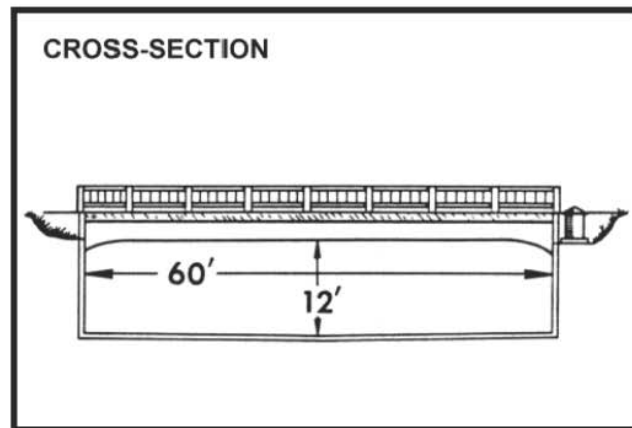
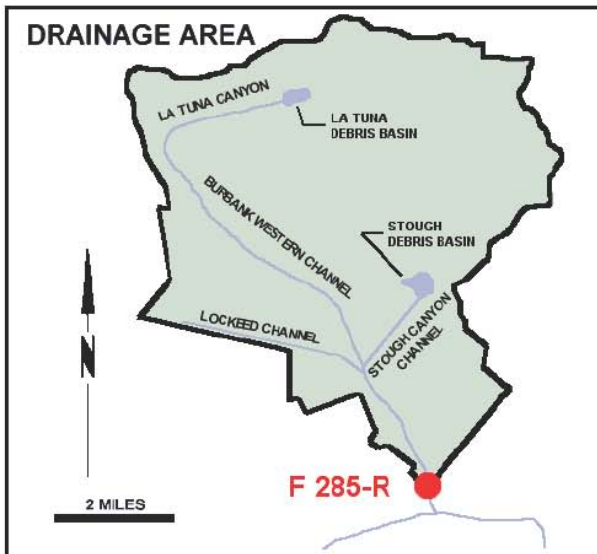
LENGTH OF RECORD January 12, 1962 to date.

RUNOFF - STREAM GAGING STATION INFORMATION

BURBANK WESTERN STORM DRAIN

@ Riverside Drive

STATION NO. E285-R



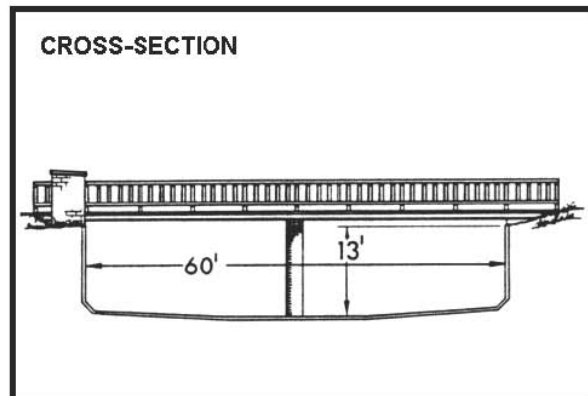
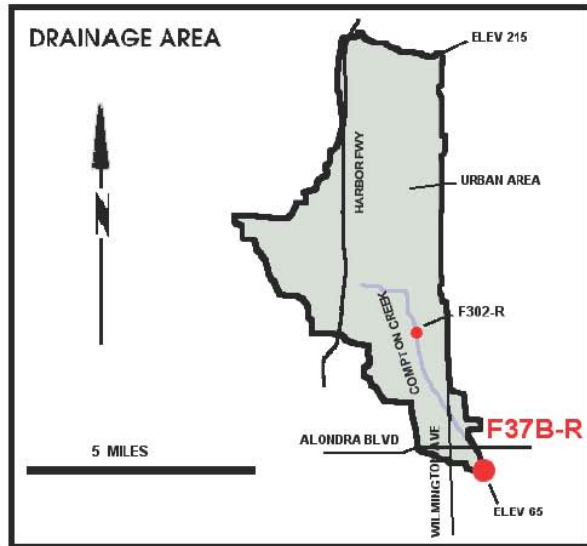
RECORDER continuous water stage.
METHOD OF MEASUREMENT wading or from bridge.
DRAINAGE AREA 25 square miles.
LOCATION 20 feet upstream from Riverside Drive, Glendale.
REGULATION several debris basins on tributaries.
DIVERSION none.
CHANNEL concrete, rectangular section.
CONTROL channel forms control.
LENGTH OF RECORD October 1, 1949 to date.
REMARKS operated in cooperation with the USCE.

RUNOFF - STREAM GAGING STATION INFORMATION

COMPTON CREEK

near Greenleaf Drive

STATION NO. F37B-R



RECORDER continuous water stage.

METHOD OF MEASUREMENT wading or from bridge.

DRAINAGE AREA 22.60 square miles.

LOCATION 120.0 feet above Greenleaf Boulevard, 1.5 miles south west of Compton.

REGULATION none.

DIVERSION none.

CHANNEL concrete, rectangular in section, 60 feet wide by 13 feet deep.

CONTROL channel forms control.

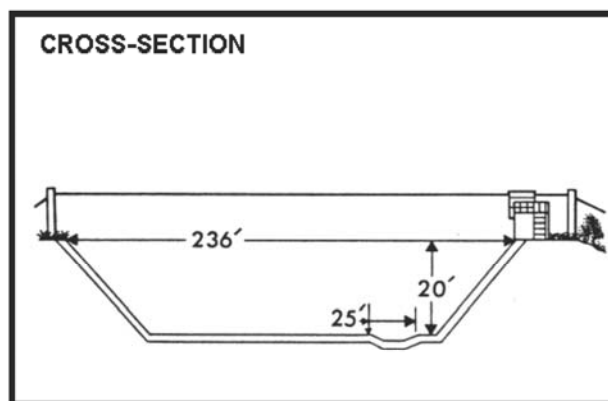
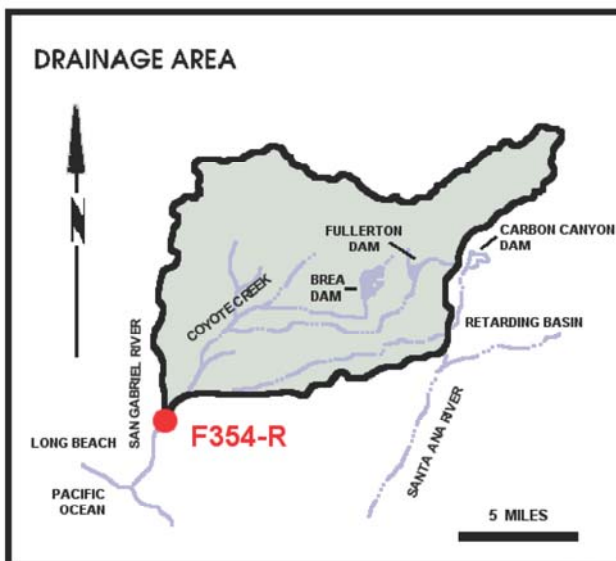
LENGTH OF RECORD at Station F37-R, January 22, 1928 to June 9, 1938; at Station F37B-R, October 3, 1938 to date.

RUNOFF - STREAM GAGING STATION INFORMATION

COYOTE CREEK

below Spring Street

STATION NO. F354-R



RECORDER continuous water stage.

METHOD OF MEASUREMENT wading or from cable car.

DRAINAGE AREA 185 square miles.

LOCATION 241 feet below Spring Street, 5.7 miles northeast of Long Beach.

REGULATION partially regulated by Fullerton Dam, Brea Dam, and Carbon Canyon Dam.

DIVERSION none.

CHANNEL concrete, trapezoidal in section.

CONTROL channel forms control.

LENGTH OF RECORD December 19, 1936 to date.

REMARKS previous gaging station for record correlation: Station F41-S, December 1, 1928 to January 14, 1930;

Station F41-R, January 14, 1930 to October 30, 1936; Station F41B-R, October 30, 1936 to February 17, 1937;

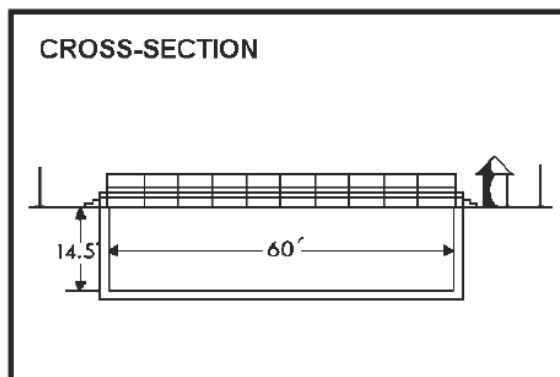
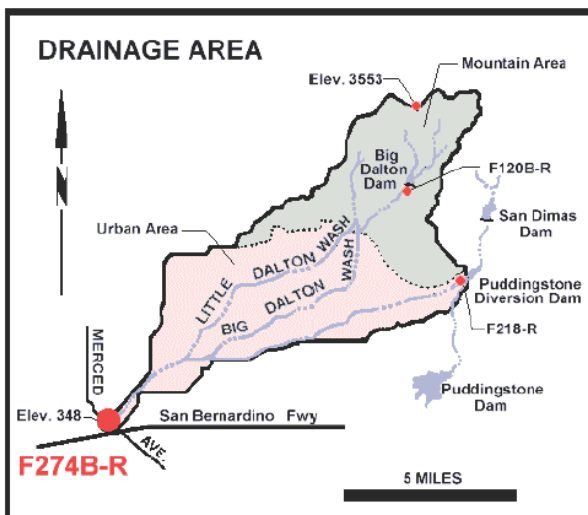
Station F41C-R, February 18, 1937 to February 8, 1956; Station F320-R, February 9, 1956 to July 2, 1965.

RUNOFF - STREAM GAGING STATION INFORMATION

DALTON WASH

@ Merced Avenue

STATION NO. F274B-R



RECORDER 5 min. interval data logger.

METHOD OF MEASUREMENT low flows measured by wading. High flows measured from footbridge 100 feet from station.

DRAINAGE AREA 35.95 square miles.

LOCATION on the west bank and upstream of Merced Avenue about 150 feet, about one-half miles above the junction with Walnut Wash and about one mile south of Baldwin Park.

REGULATION partly regulated by Big Dalton Dam, San Dimas Dam, Puddingstone Diversion Dam, Big Dalton Spreading Grounds, Little Dalton Spreading Grounds, Big Dalton Debris Basin, Little Debris Basin and Irwindale Spreading Grounds.

DIVERSION none.

CHANNEL concrete, rectangular section.

CONTROL channel forms control.

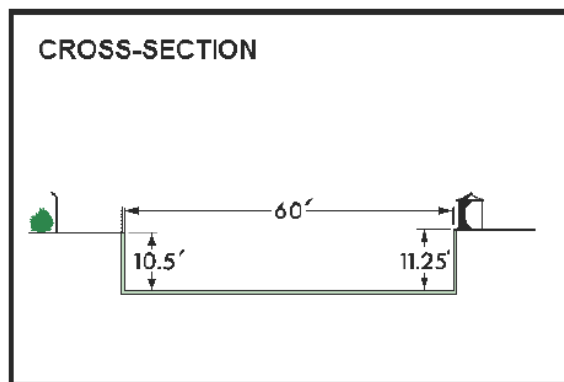
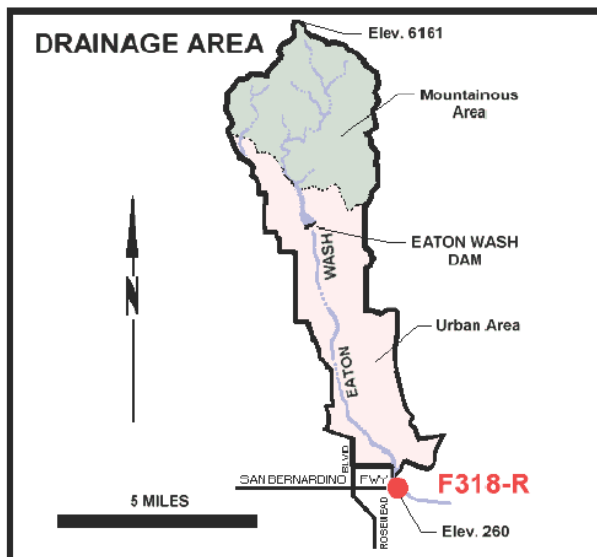
LENGTH OF RECORD REMARKS flow may include imported water originating at San Dimas.

RUNOFF - STREAM GAGING STATION INFORMATION

EATON WASH

@ Loftus Drive

STATION NO. F318-R



RECORDER 5 min. interval data logger.

METHOD OF MEASUREMENT low flows measured by wading. High flows measured from upstream side of East Loftus Drive bridge.

DRAINAGE AREA 22.80 square miles.

LOCATION on the west wall of the channel 52 feet above the centerline of East Loftus Drive bridge, 1.3 miles west of El Monte.

REGULATION partly regulated by Eaton Dam.

DIVERSION the Pasadena Water Department diverts some water just above the mouth of Eaton Canyon. The Flood Control District Diverts water to spreading grounds below Eaton Dam and below Huntington Drive.

CHANNEL rectangular concrete, 60 feet wide, 11.3 feet.

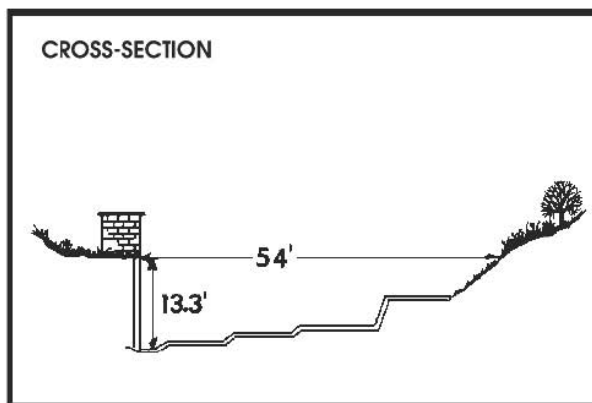
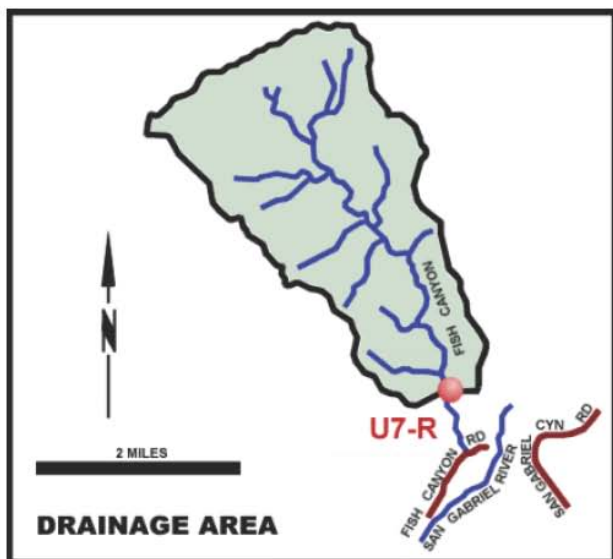
CONTROL channel forms control.

LENGTH OF RECORD 1956 to date.

RUNOFF - STREAM GAGING STATION INFORMATION

FISH CREEK

above Mouth of Canyon
STATION NO. U7-R



RECORDER 5 min. interval data logger.

METHOD OF MEASUREMENT wading.

DRAINAGE AREA 6.36 square miles.

LOCATION 0.8 miles upstream of Mouth of Canyon and 3.0 miles northeast of Duarte.

REGULATION none.

DIVERSION none.

CHANNEL natural, rock and gravel.

CONTROL concrete control.

LENGTH OF RECORD July to September 1916; July 1917 to date.

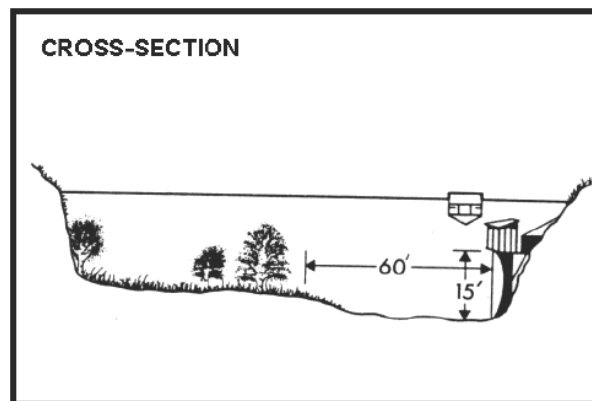
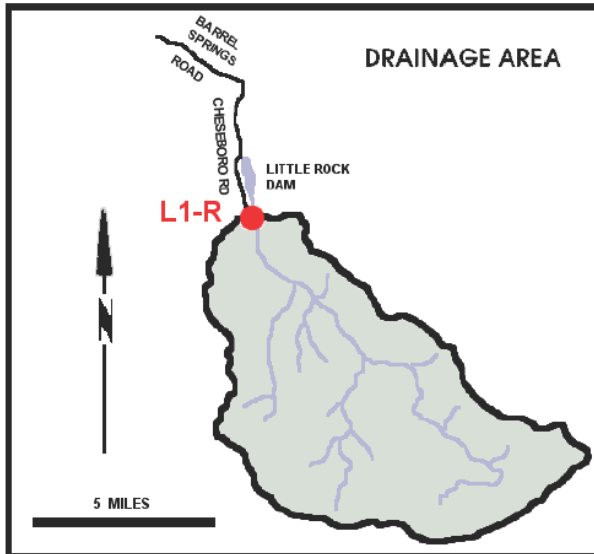
REMARKS operated and maintained by USGS until October 1, 1971.

RUNOFF - STREAM GAGING STATION INFORMATION

LITTLE ROCK CREEK

above Little Rock Dam

STATION NO. L1-R



RECORDER continuous water stage.

METHOD OF MEASUREMENT wading or from cable car.

DRAINAGE AREA 49.20 square miles.

LOCATION 2.0 miles above Little Rock Dam, 5.0 miles south of Little Rock.

REGULATION none.

DIVERSION none.

CHANNEL Sand, gravel, and boulder, natural in section.

CONTROL channel forms control.

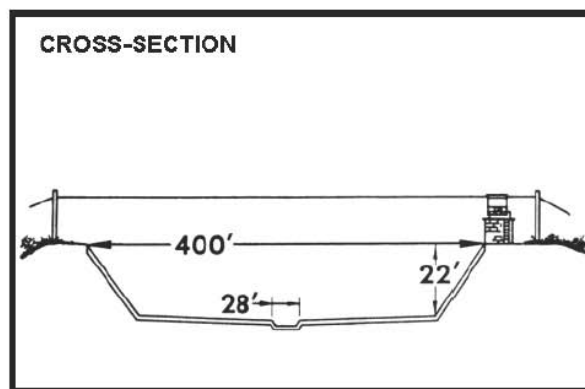
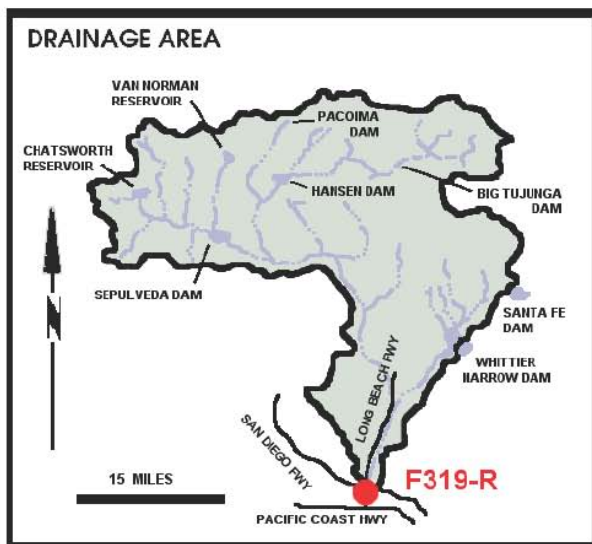
LENGTH OF RECORD October 1, 1930 to date.

RUNOFF - STREAM GAGING STATION INFORMATION

LOS ANGELES RIVER

below Wardlow River Road

STATION NO. F319-R



RECORDER continuous water stage.

METHOD OF MEASUREMENT wading or from cable car.

DRAINAGE AREA 815.00 square miles.

LOCATION 900.0 feet below Wardlow Road, Long Beach.

REGULATION flow is subject to the same regulation as Station F34D-R and P45B-R.

DIVERSION flows diverted to Dominguez Gap Spreading Grounds.

CHANNEL trapezoidal, concrete, 302.0 feet wide at bottom with 2.25:1 side slopes. Low flow channel 28.0 feet wide by 1.0 foot deep in center of channel.

CONTROL channel forms control.

LENGTH OF RECORD at Station F180-R, October 31, 1931 to January 13, 1956; at Station F319-R, January 13, 1956 to date.

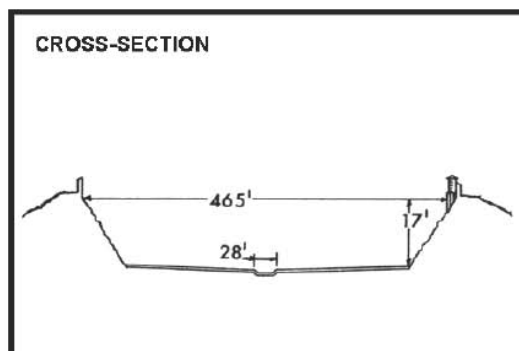
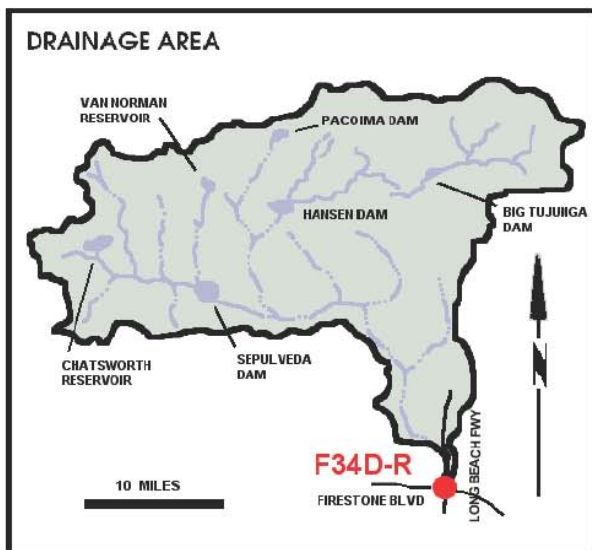
REMARKS prior to 1931, see Station F36-R.

RUNOFF - STREAM GAGING STATION INFORMATION

LOS ANGELES RIVER

below Firestone Blvd.

STATION NO. F34D-R



RECORDER continuous water stage.

METHOD OF MEASUREMENT wading or from bridge.

DRAINAGE AREA 596.00 square miles.

LOCATION 472.0 feet downstream of Firestone Boulevard, 3.0 miles west of Downey.

REGULATION partially regulated by Sepulveda, Pacoima, Big Tujunga, Hansen, and Devil's Gate Dam; and by several spreading grounds, reservoirs, and debris basins.

DIVERSION none.

CHANNEL concrete, with rip-rap side slopes, trapezoidal in section, with trapezoidal low flow channel.

CONTROL channel forms control.

LENGTH OF RECORD at Station F34-R, March 1, 1928 to April 11, 1938; at Station F34B-r, April 11, 1938 to November 3, 1949; at Station F34C-R, November 4, 1949 to December 11, 1956; at Station F34D-R, December 11, 1956 to date.

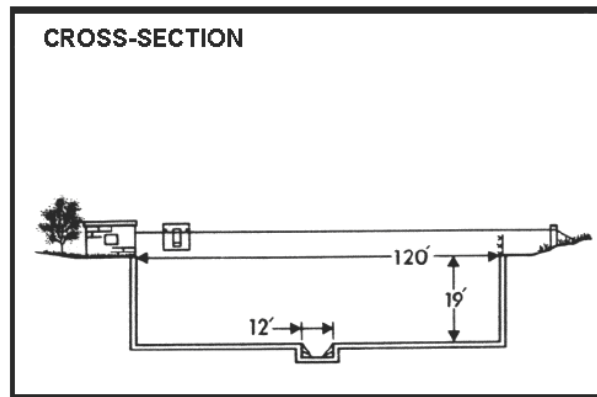
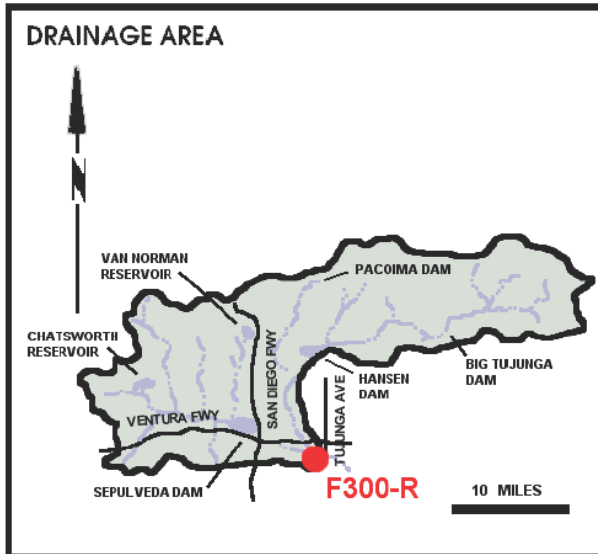
REMARKS subject to diversion from Big Tujunga Creek, Arroyo Seco, and other domestic irrigation diversions.

RUNOFF - STREAM GAGING STATION INFORMATION

LOS ANGELES RIVER

@ Tujunga Avenue

STATION NO. F300-R



RECORDER continuous water stage.

METHOD OF MEASUREMENT wading or from cable car.

DRAINAGE AREA 401 square miles.

LOCATION 200 feet above Tujunga Avenue bridge, Studio City.

REGULATION flow regulated by Sepulveda, Big Tujunga, Hansen, Pacoima Dams, Lopez Debris Dam, and Project No. 85 Diversion.

DIVERSION none.

CHANNEL concrete, rectangular section, 120 feet wide by 19 feet deep.

CONTROL channel forms control.

LENGTH OF RECORD from May 8, 1950 to date.

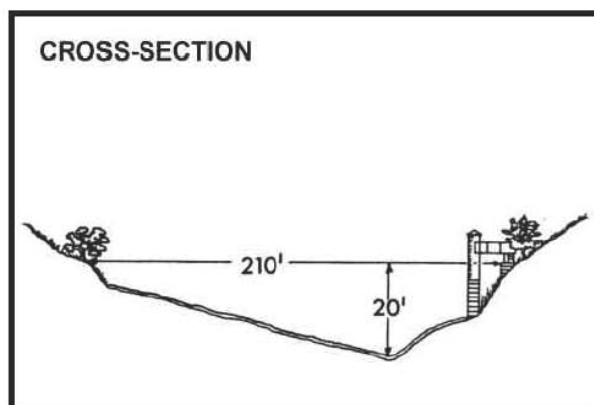
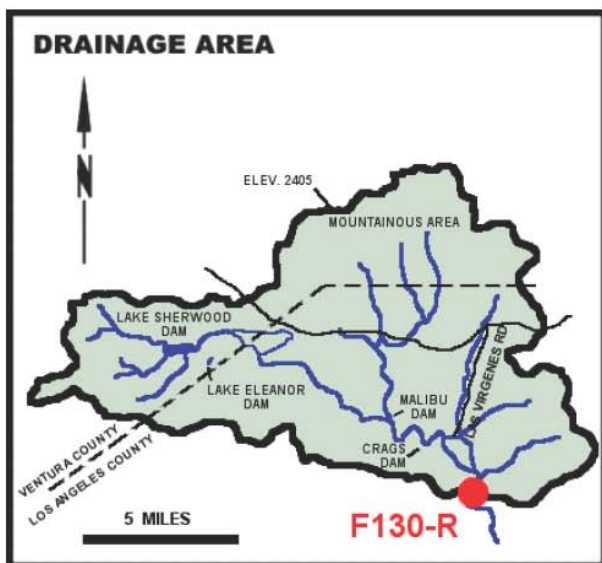
REMARKS subject to diversions at mouth of Big Tujunga and Pacoima Canyons for irrigation, at Big Tujunga, Branford, Hansen, and Pacoima Spreading Grounds.

RUNOFF - STREAM GAGING STATION INFORMATION

MALIBU CREEK

below Cold Creek

STATION NO. F130-R



RECORDER continuous water stage.

METHOD OF MEASUREMENT wading or from cable car.

DRAINAGE AREA 104.96 square miles.

LOCATION 0.2 mile downstream of Cold Creek, 6.0 miles southwest of Calabasas.

REGULATION Lake Sherwood Dam, Lake Eleanor Dam, Malibu Lake Dam and Crag's Dam. Other small recreational dams affect low summer flows.

DIVERSION none.

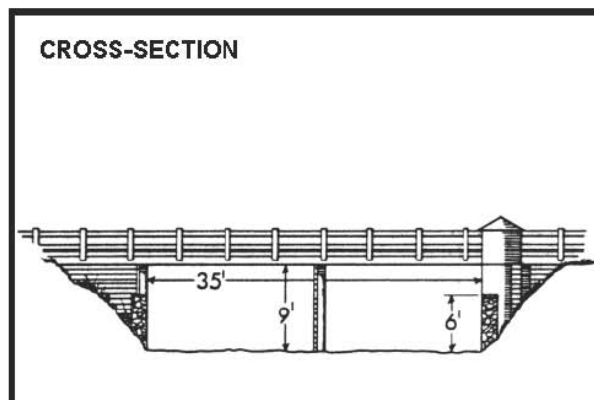
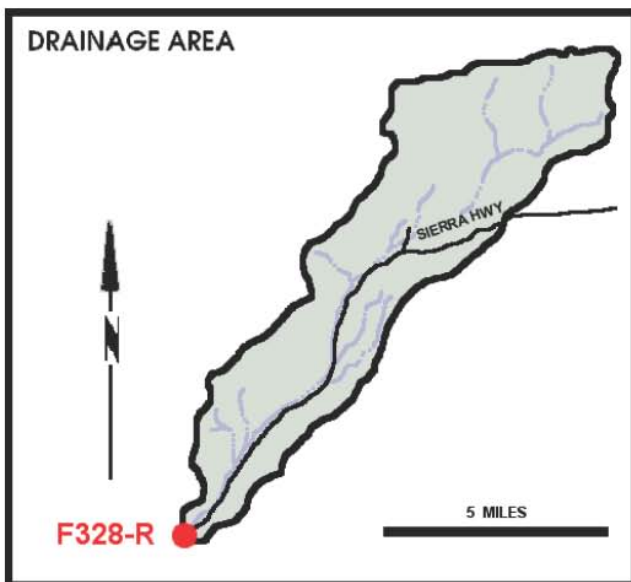
CHANNEL coarse sand and gravel, lined with trees and brush, natural in section.

CONTROL concrete stabilizer.

LENGTH OF RECORD January 17, 1931 to date.

REMARKS cableway washed out on January 25, 1969; no high flow measurements since that date.

RUNOFF - STREAM GAGING STATION INFORMATION

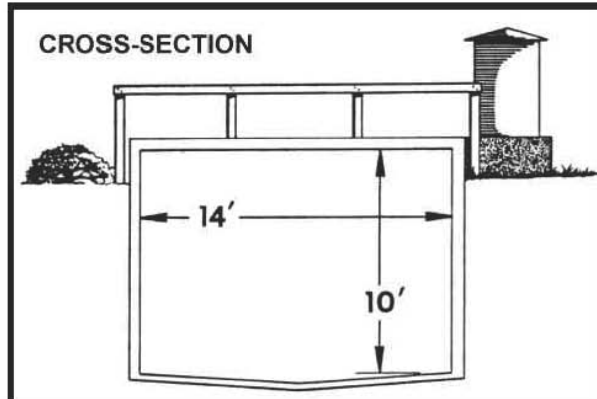
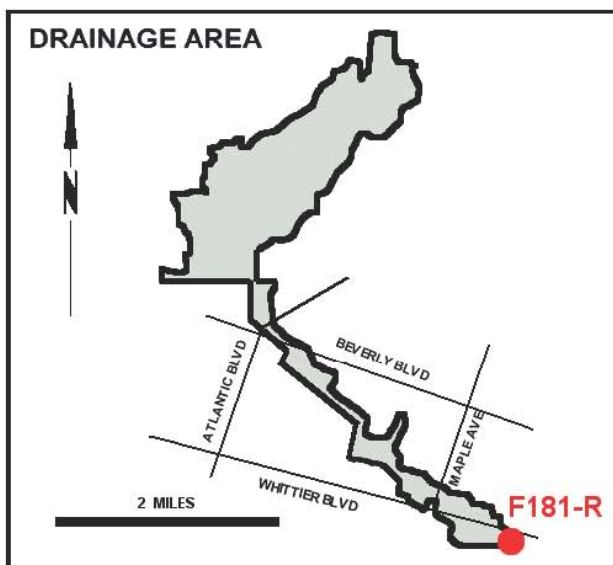
MINT CANYON CREEK**@ Fitch Avenue****STATION NO. F328-R****RECORDER** continuous water stage.**METHOD OF MEASUREMENT** wading or from cable car.**DRAINAGE AREA** 26.90 square miles.**LOCATION** 8.5 miles northeast of Saugus on west end of Fitch Avenue bridge.**REGULATION** none.**DIVERSION** none.**CHANNEL** natural, sand and gravel.**CONTROL** concrete control at downstream end of bridge.**LENGTH OF RECORD** October 26, 1956 to date.

RUNOFF - STREAM GAGING STATION INFORMATION

MONTEBELLO STORM DRAIN

outlet to Rio Hondo

STATION NO. F181-R



RECORDER continuous water stage.

METHOD OF MEASUREMENT wading or from footbridge.

DRAINAGE AREA 9.60 square miles.

LOCATION 150.0 feet east of Mines Avenue and 500.0 feet west of Rio Hondo.

REGULATION none.

DIVERSION none.

CHANNEL 14.0 foot by 10.0 foot concrete, box section.

CONTROL channel forms control.

LENGTH OF RECORD January 12, 1932 to date.

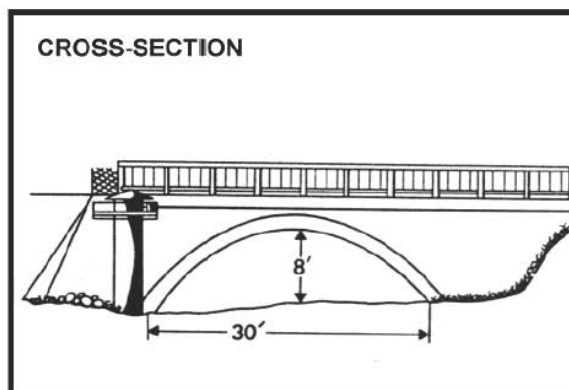
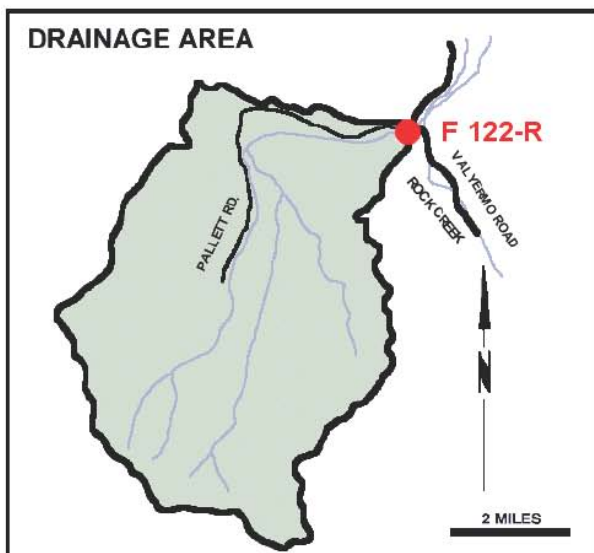
REMARKS may be affected by backwater during flood flows.

RUNOFF - STREAM GAGING STATION INFORMATION

PALLETT CREEK

@ Valyermo Highway

STATION NO. F122-R



RECORDER continuous water stage.

METHOD OF MEASUREMENT wading or from bridge.

DRAINAGE AREA 15.80 square miles.

LOCATION upstream side of Valyermo Highway bridge, 5.0 miles southeast of Pearblossom.

REGULATION none.

DIVERSION none.

CHANNEL sand and gravel, natural section.

CONTROL channel forms control for low flows; bridge form control for high flows.

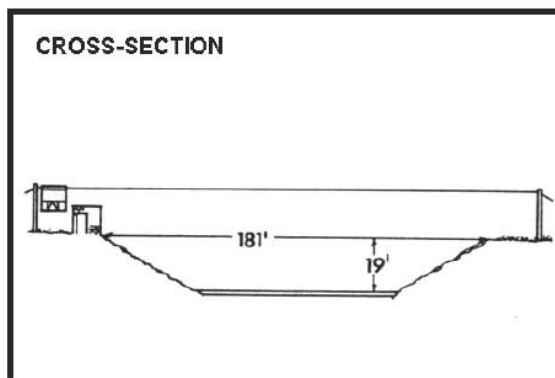
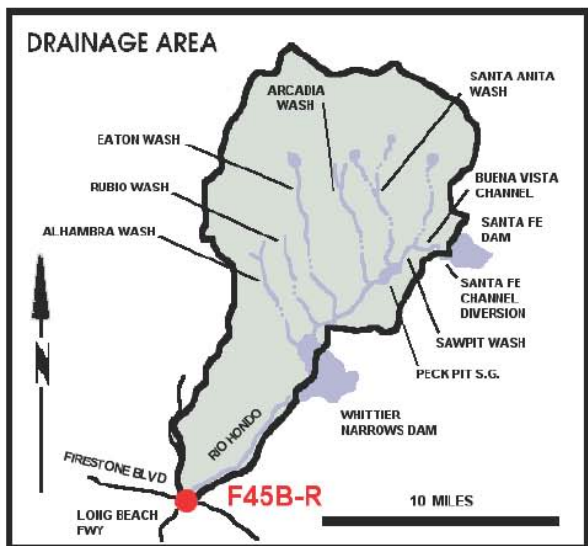
LENGTH OF RECORD at Station F122-S, December 29, 1930 to October 31, 1961; at Station F122-R, October 31, 1961 to date.

RUNOFF - STREAM GAGING STATION INFORMATION

RIO HONDO

above Stuart and Gray Road

STATION NO. F45B-R



RECORDER continuous water stage.

METHOD OF MEASUREMENT wading or from cable car.

DRAINAGE AREA 140 square miles.

LOCATION 0.6 mile upstream of the confluence of Rio Hondo and Los Angeles River, 1.5 miles west of Downey.

REGULATION partially regulated by Sierra Madre, Santa Anita, Sawpit, Eaton, Santa Fe, and Whittier Narrows Dams, several debris basins, and spreading grounds.

DIVERSION none.

CHANNEL concrete with rip-rap side slopes, trapezoidal in section.

CONTROL channel forms control.

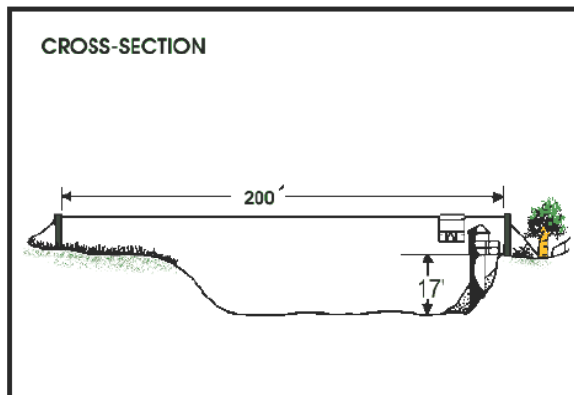
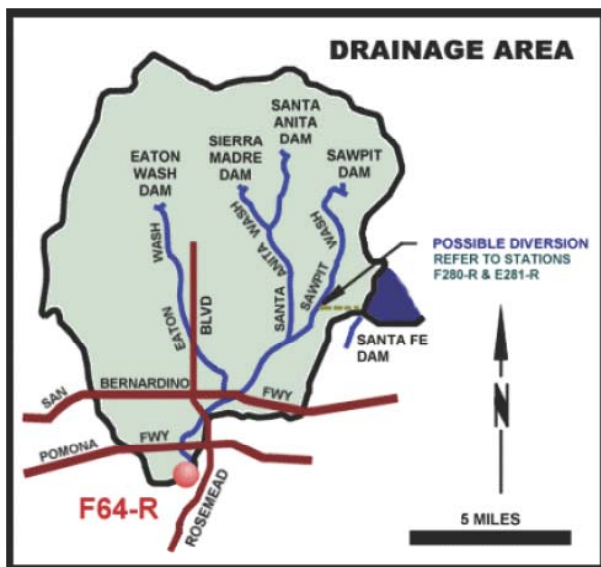
LENGTH OF RECORD at Station F45-R, March 1, 1928 to April 18, 1951; at Station F45B-R, October 31, 1951 to date.

REMARKS subject to diversions from Eaton Creek, Monrovia Creek, Sawpit Creek, Little Santa Anita Canyon, and other locations for irrigation and spreading. High flows from San Gabriel River may flow into Rio Hondo above Whittier Narrows Dam.

RUNOFF - STREAM GAGING STATION INFORMATION

RIO HONDO

above Mission Bridge
STATION NO. F64-R



RECORDER 5 min. interval data logger.

METHOD OF MEASUREMENT wading or from cable car.

DRAINAGE AREA 115 square miles.

LOCATION 1,000 feet above San Gabriel Boulevard, west of Rosemead Boulevard, 2.0 miles northeast of Montebello.

REGULATION partially regulated by Sierra Madre, Santa Anita, Sawpit, Eaton, and Santa Fe Dams and several debris basins.

DIVERSION none.

CHANNEL sand and silt, natural in section.

CONTROL none.

LENGTH OF RECORD July 1, 1928 to date.

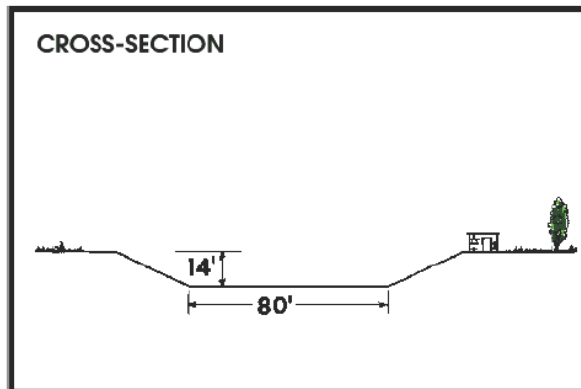
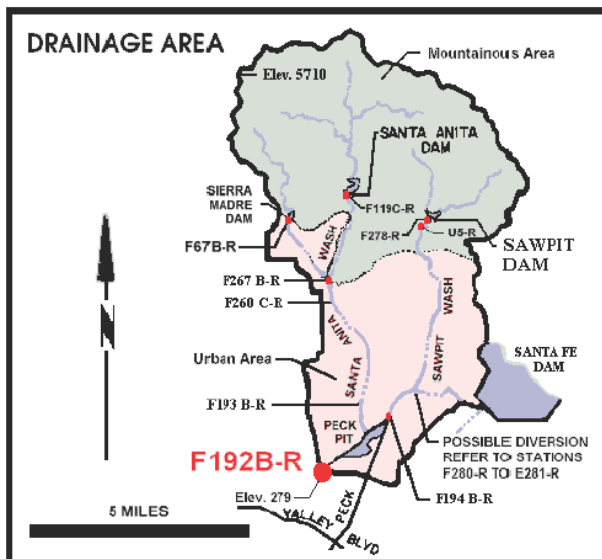
REMARKS subject to diversion; water purchased from the MWD passes this station for spreading in the coastal basin.

RUNOFF - STREAM GAGING STATION INFORMATION

RIO HONDO

below Lower Azusa Avenue

STATION NO. F192B-R



RECORDER 5 min. interval data logger.

METHOD OF MEASUREMENT wading.

DRAINAGE AREA 40.90 square miles.

LOCATION 300 feet downstream from Lower Azusa Road, 1.5 miles north of El Monte.

REGULATION partially regulated by Sierra Madre Dam, Santa Anita Dam, Sawpit Dam, Santa Fe Dam, Peck Pit, Buena Vista Pit, and several debris basins.

DIVERSION none.

CHANNEL concrete, trapezoidal section.

CONTROL channel forms control.

LENGTH OF RECORD at Station F192-R, February 22, 1932 to May 7, 1958; at Station F192B-R, May 7, 1958 to date.

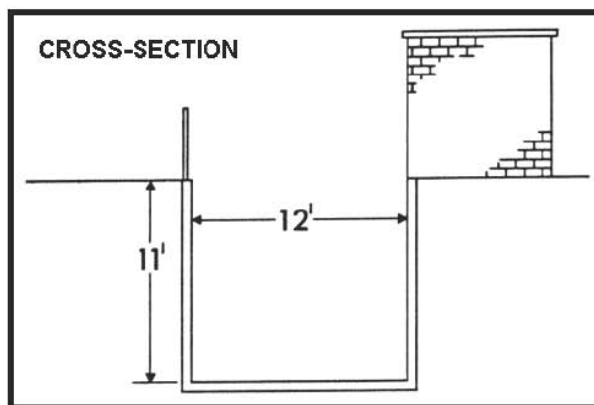
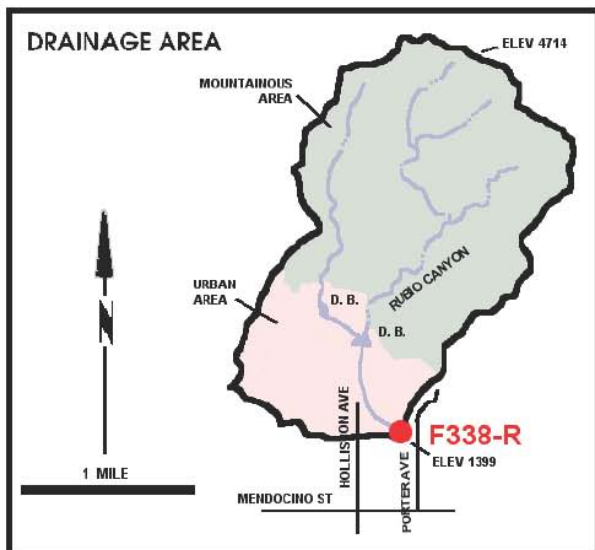
REMARKS subject to diversions from Monrovia, Sawpit, and Little Santa Anita Creeks. Also from the San Gabriel River below Santa Fe Dam; and from irrigation and spreading.

RUNOFF - STREAM GAGING STATION INFORMATION

RUBIO DIVERSION CHANNEL

below Gooseberry Inlet

STATION NO. F338-R



RECORDER 15 min. punch tape.

METHOD OF MEASUREMENT low flows measured by wading. High flows measured from steel footbridge 27 feet above station.

DRAINAGE AREA 2.10 square miles.

LOCATION on the north bank, 375 feet upstream of Crest Drive, 3.5 miles northeast of Pasadena.

REGULATION flow partially regulated by Rubio and Goosebury Debris Basins.

DIVERSION none.

CHANNEL rectangular concrete, 12 feet wide and 11 feet deep.

CONTROL channel forms control.

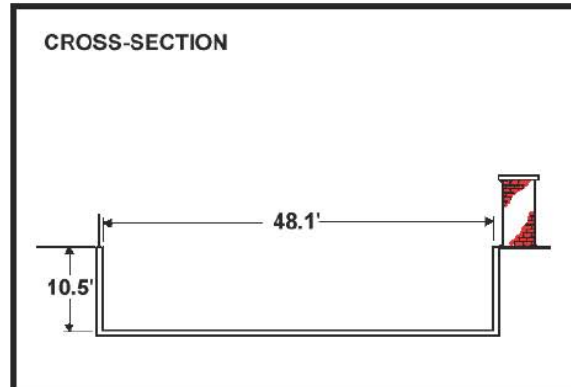
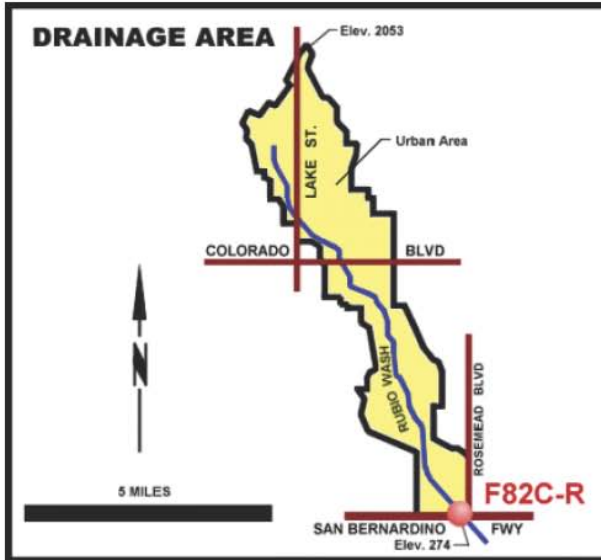
LENGTH OF RECORD December 16, 1959 to date.

RUNOFF - STREAM GAGING STATION INFORMATION

RUBIO WASH

@ Glendon Way

STATION NO. F82C-R



RECORDER 5 min. interval data logger.

METHOD OF MEASUREMENT low flows measured by wading. High flows measured from footbridge at station.

DRAINAGE AREA 10.90 square miles.

LOCATION on the east side of channel, 10 feet south of the westerly extension of Glendon Way, Rosemead.

REGULATION partly regulated by Las Flores and Rubio debris basins.

DIVERSION none.

CHANNEL rectangular concrete.

CONTROL channel forms control.

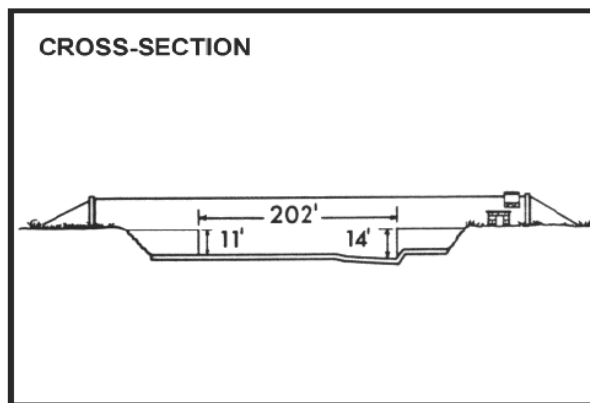
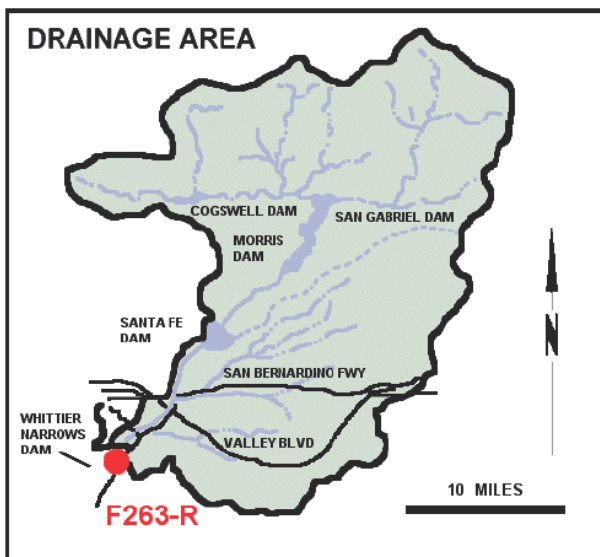
LENGTH OF RECORD see station summary.

RUNOFF - STREAM GAGING STATION INFORMATION

SAN GABRIEL RIVER

below San Gabriel River Parkway

STATION NO. F263C-R



RECORDER continuous water stage.

METHOD OF MEASUREMENT wading or from cable car.

DRAINAGE AREA 206.30 square miles.

LOCATION 462 feet below San Gabriel River Parkway, 1.4 miles northeast of Pico Rivera.

REGULATION partially regulated by Santa Fe, Big Dalton, Puddingstone Diversion, Puddingstone, and Thompson Creek Dams. Flows may include imported water from several Metropolitan Water District outlets. Waters at times diverted to the Zone one ditch, upstream of Whittier Narrows Dam.

DIVERSION none.

CHANNEL rip-rap slopes with sand bottom trapezoidal section.

CONTROL concrete stabilizer.

LENGTH OF RECORD at Station F263-R, February 4, 1937 to March 6, 1952; at Station F263B-R, March 6, 1952 to August 9, 1968; at Station F263C-R, August 9, 1968 to date.

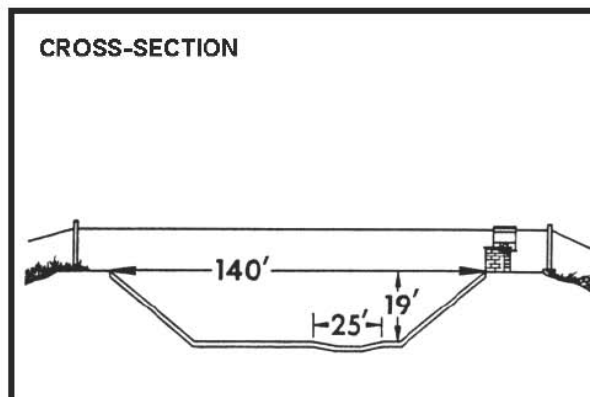
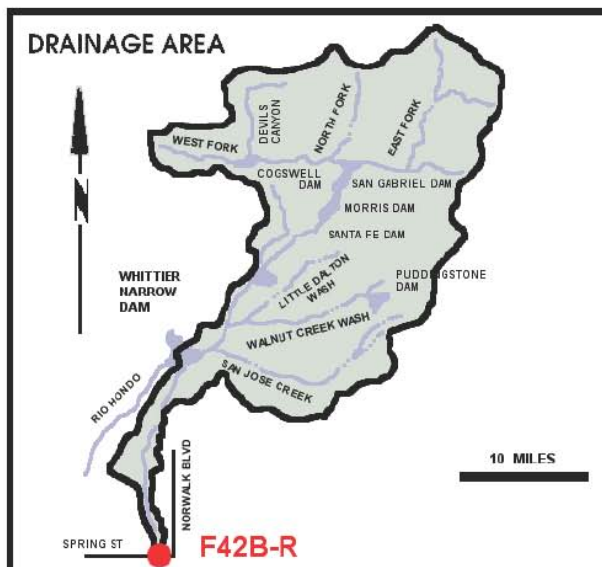
REMARKS

RUNOFF - STREAM GAGING STATION INFORMATION

SAN GABRIEL RIVER

above Spring Street

STATION NO. F42B-R



RECORDER continuous water stage.

METHOD OF MEASUREMENT wading or from cable car.

DRAINAGE AREA 231 square miles.

LOCATION 455 feet north of Spring Street, 4.0 miles east of Signal Hill, Long Beach.

REGULATION partially regulated by Cogswell, San Gabriel, Morris, Santa Fe, Big Dalton, San Dimas, Puddingstone Diversion, Puddingstone, Live Oak, Thompson Creek, and Whittier Narrows Dams, Several debris basins, MWD outlet, and several spreading grounds.

DIVERSION none.

CHANNEL concrete, trapezoidal section with low flow channel.

CONTROL channel forms control.

LENGTH OF RECORD at Station F42-R, February 6, 1928 to May 26, 1964; at Station F42B-R, November 16, 1964 to date.

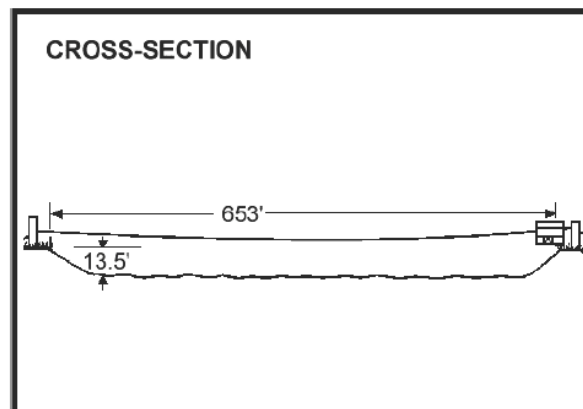
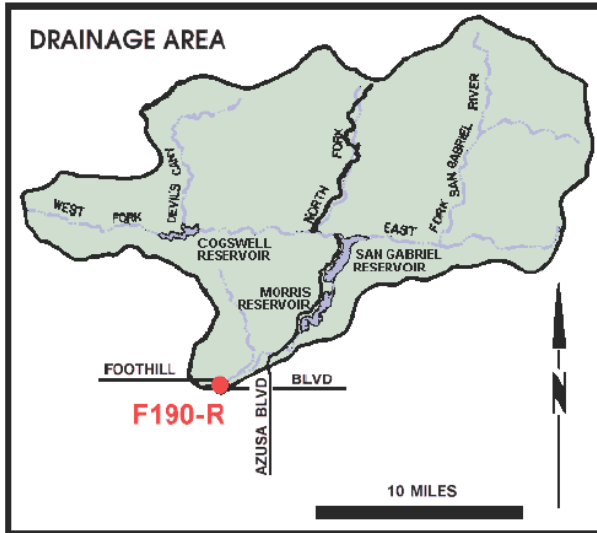
REMARKS high flows into Whittier Narrows Reservoir are partially diverted to the Rio Hondo.

RUNOFF - STREAM GAGING STATION INFORMATION

SAN GABRIEL RIVER

@ Foothill Blvd.

STATION NO. F190-R



RECORDER 5 min. interval data logger.

METHOD OF MEASUREMENT wading or from cable car.

DRAINAGE AREA 230 square miles.

LOCATION downstream side of Foothill Boulevard bridge, 2 miles west of Azusa.

REGULATION partially regulated by Cogswell, San Gabriel, and Morris Dams.

DIVERSION none.

CHANNEL sand, gravel and rock, trapezoidal section with soft bottom.

CONTROL gunited rock stabilizers.

LENGTH OF RECORD February 22, 1932 to date.

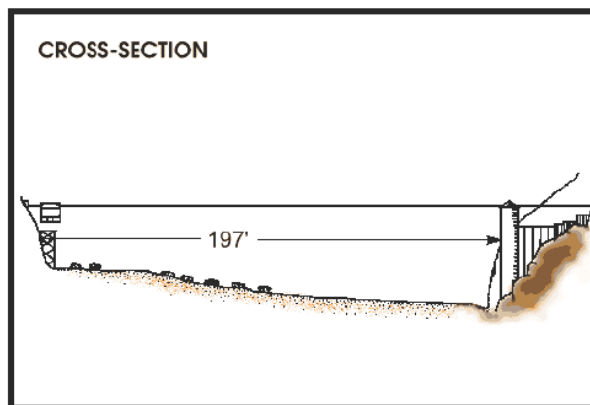
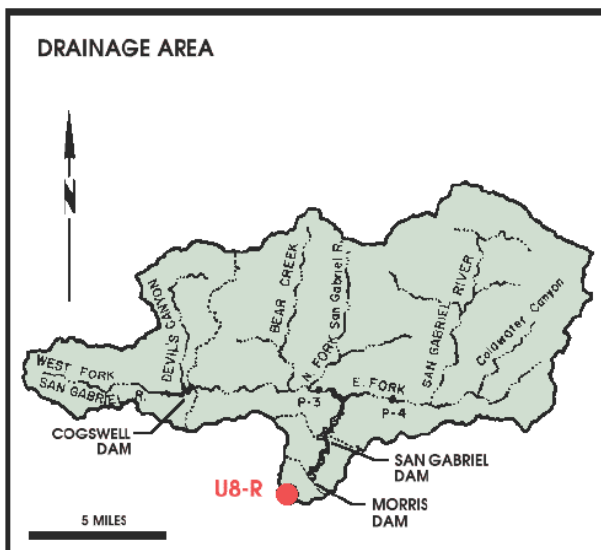
REMARKS flows may include imported originating at the Metropolitan Water District outlet below Morris Dam.

RUNOFF - STREAM GAGING STATION INFORMATION

SAN GABRIEL RIVER

below Morris Dam

STATION NO. U8-R



RECORDER 5 min. interval data logger.

METHOD OF MEASUREMENT wading or from cable car.

DRAINAGE AREA 212.4 square miles.

LOCATION 1.1 miles downstream of Morris Dam, 27 miles northeast of Azusa.

REGULATION all flows regulated by Cogswell Dam, 27 miles northeast of Azusa.

DIVERSION none.

CHANNEL gravel and boulder, natural section.

CONTROL concrete control.

LENGTH OF RECORD May 1894 to date.

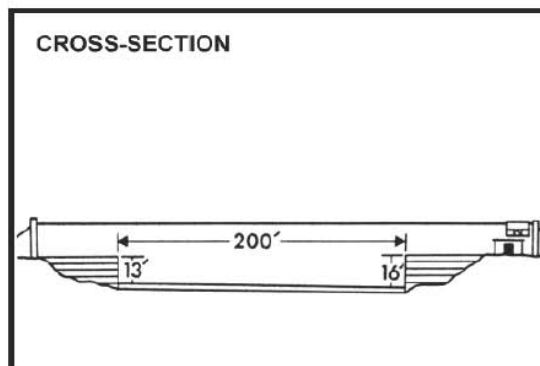
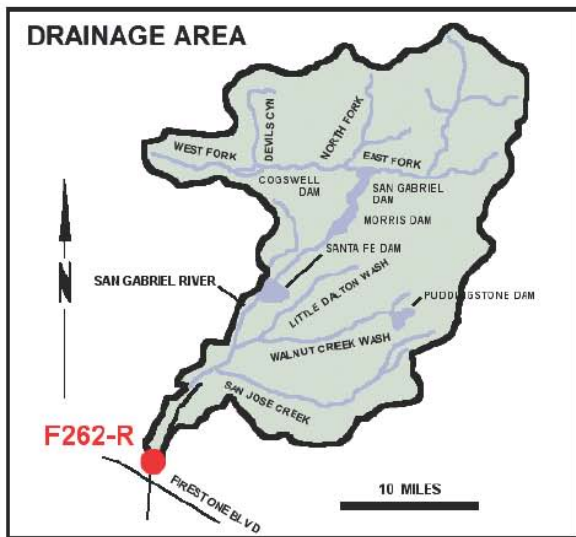
REMARKS flows up to 90 cfs are at times diverted past the station through the Azusa Conduit, flows at station may include imported water from the MWD outlet below Morris Dam.

RUNOFF - STREAM GAGING STATION INFORMATION

SAN GABRIEL RIVER

above Florence Avenue

STATION NO. F262C-R



RECORDER continuous water stage.

METHOD OF MEASUREMENT wading or from cable car.

DRAINAGE AREA 215.80 square miles.

LOCATION 1,400 feet above Florence Avenue, 2 miles east of Downey.

REGULATION partially regulated by Cooswell, San Gabriel, Morris, Santa Fe, Big Dalton, San Dimas, Puddingstone Diversion, Puddingstone, Live Oak, Thompson Creek, and Whittier Narrows Dams, Several debris basin, MWD outlets, and several spreading grounds.

DIVERSION none.

CHANNEL sand bottom with rip-rap slopes, trapezoidal section.

CONTROL concrete stabilizer.

LENGTH OF RECORD at Station F267-R, February 27, 1937 to September 30, 1967; at Station F262B-R, August 6, 1968 to date.

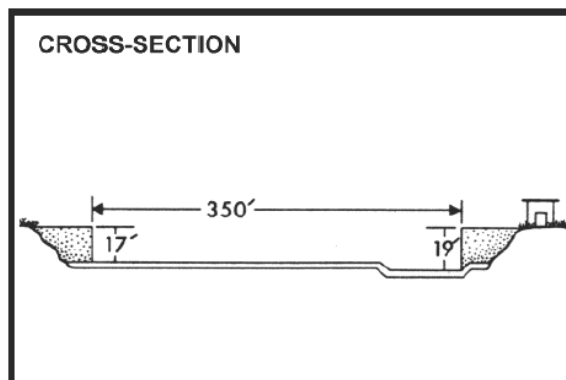
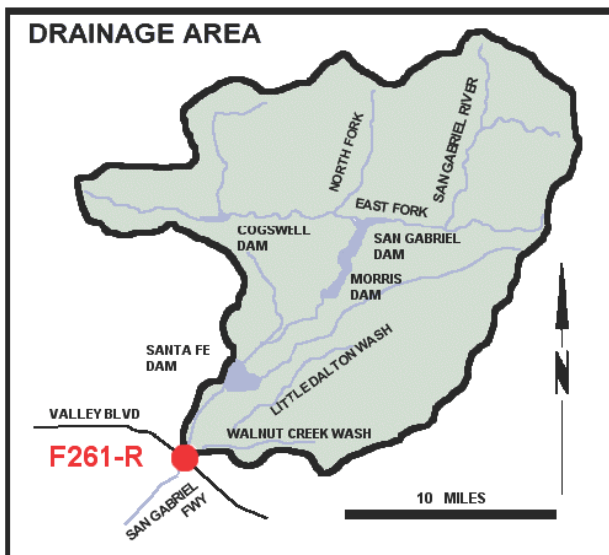
REMARKS no recording during 1967-1968 season due to channel construction.

RUNOFF - STREAM GAGING STATION INFORMATION

SAN GABRIEL RIVER

below Valley Blvd.

STATION NO. F261C-R



RECORDER continuous water stage.

METHOD OF MEASUREMENT wading.

DRAINAGE AREA 118.00 square miles.

LOCATION 1,150.0 feet below Valley Boulevard, 2.5 miles east of El Monte.

REGULATION partially regulated by Santa Fe, Big Dalton, Puddingstone Diversion, and Puddingstone Dams.

DIVERSION none.

CHANNEL sand and gravel bottom with rip-rap side slopes; trapezoidal section.

CONTROL concrete stabilizer with low-flow notch.

LENGTH OF RECORD at Station F261-R, March 11, 1937 to September 30, 1941; at Station F361B-R, October 1, 1941 to April 23, 1946; at Station F261C-R, November 29, 1960 to date.

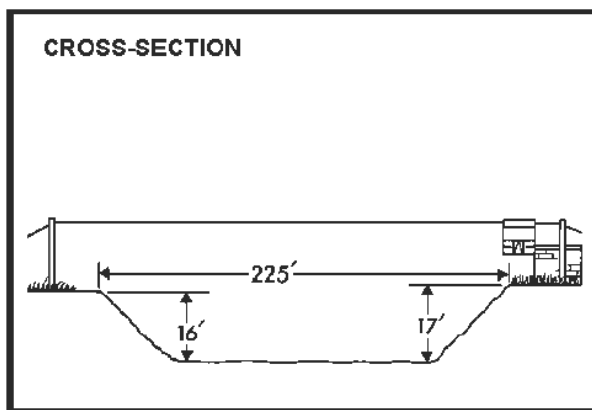
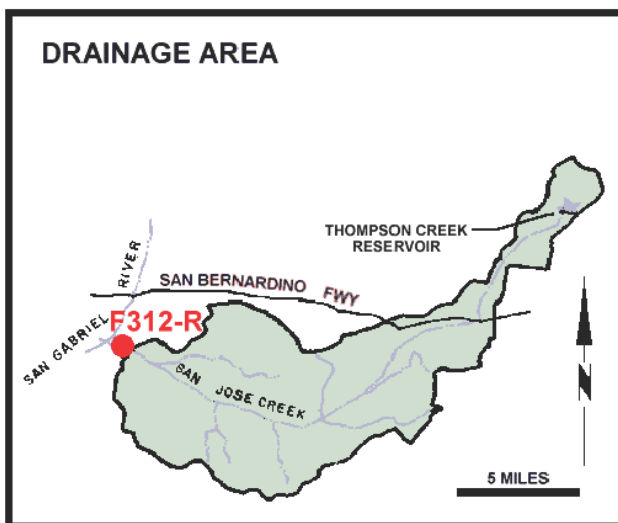
REMARKS flows may include imported water originating at Metropolitan Water District outlets at San Dimas Canyon and below San Bernardino Road.

RUNOFF - STREAM GAGING STATION INFORMATION

SAN JOSE CHANNEL

below Seventh Avenue

STATION NO. F312B-R



RECORDER 5 min. interval data logger.

METHOD OF MEASUREMENT wading or from cable car.

DRAINAGE AREA 83.4 square miles.

LOCATION 1,650 feet above Workman Mill Road, 3 miles southeast of El Monte.

REGULATION partially regulated by Thompson Creek Dam and Pomona Sewage Treatment Plant.

DIVERSION none.

CHANNEL grouted rip-rap side slopes with natural bottom, trapezoidal section.

CONTROL rock stabilizer.

LENGTH OF RECORD September 13, 1955 to date.

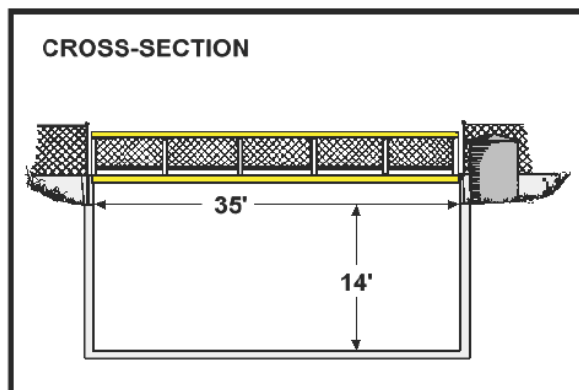
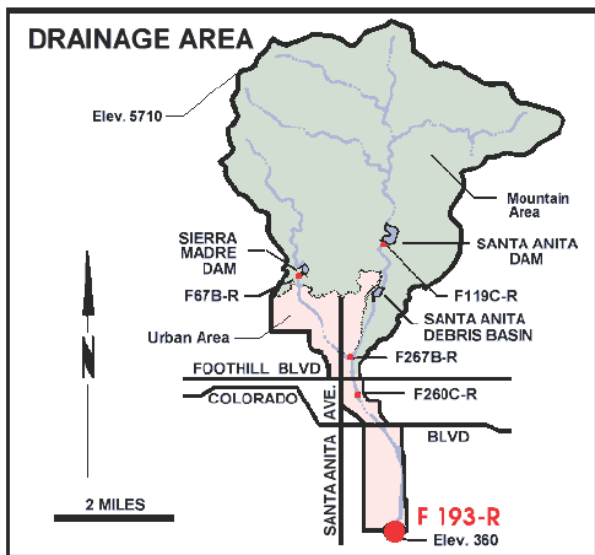
REMARKS

RUNOFF - STREAM GAGING STATION INFORMATION

SANTA ANITA WASH

@ Longden Avenue

STATION NO. F193B-R



RECORDER 5 min. interval data logger.

METHOD OF MEASUREMENT wading or from bridge.

DRAINAGE AREA 18.80 square miles.

LOCATION 30.0 feet above Longden Avenue, 1.5 miles south of Arcadia.

REGULATION regulated by Santa Anita and Sierra Madre Dams, and Santa Anita Debris Basin.

DIVERSION none.

CHANNEL concrete, rectangular section.

CONTROL channel forms control.

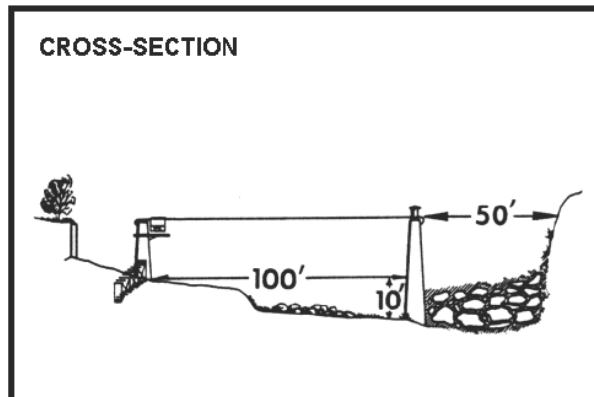
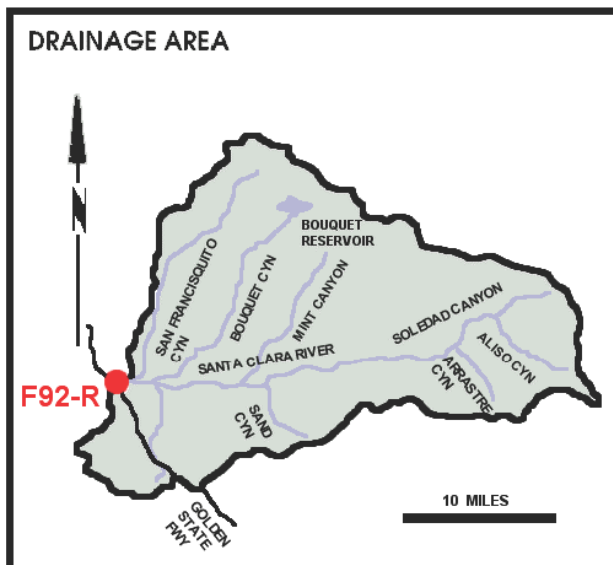
LENGTH OF RECORD at Station F193-R, April 25, 1932 to March 1, 1938; at Station F193B-R, January 5, 1960 to date.

RUNOFF - STREAM GAGING STATION INFORMATION

SANTA CLARA RIVER

@ Old Road Bridge

STATION NO. F92C-R



RECORDER continuous water stage.

METHOD OF MEASUREMENT wading or from cable car.

DRAINAGE AREA 410.40 square miles.

LOCATION downstream side of Old Highway bridge, 3 miles west of Saugus.

REGULATION partially regulated by Bouquet Canyon and Dry Canyon Reservoirs.

DIVERSION none.

CHANNEL sand and gravel with brush, natural section.

CONTROL none.

LENGTH OF RECORD at Station F92-R, January 18, 1930 to March 28, 1938, and September 24, 1956 to date; at Station F92B-R, October 1, 1938 to September 24, 1956.

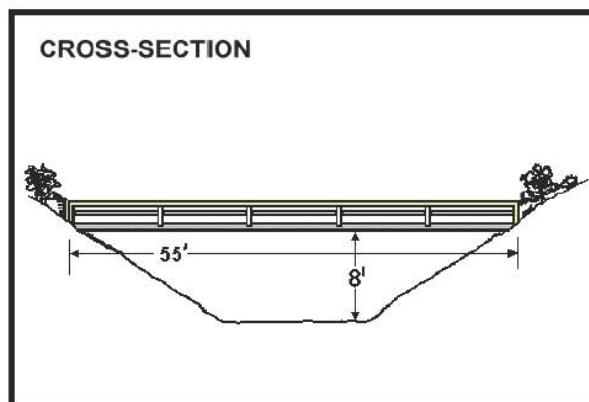
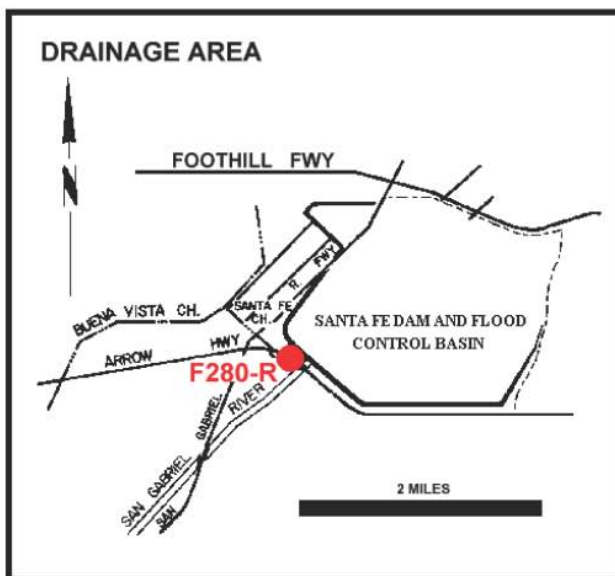
REMARKS subject to diversions for irrigation.

RUNOFF - STREAM GAGING STATION INFORMATION

SANTA FE DIVERSION CHANNEL

below Santa Fe Dam

STATION NO. F280-R



RECORDER 5 min. interval data logger.

METHOD OF MEASUREMENT wading or from footbridge.

DRAINAGE AREA Controlled square miles.

LOCATION 400 feet downstream of Santa Fe Dam outlet and 1.5 miles north of Baldwin Park.

REGULATION flow regulated by five gates of stilling basin outlet of Santa Fe Dam.

DIVERSION none.

CHANNEL sand and gravel, natural section.

CONTROL concrete stabilizer.

LENGTH OF RECORD at Station F280-S, October 1, 1942 to May 12, 1944; at Station F280-R, May 12, 1944 to date.

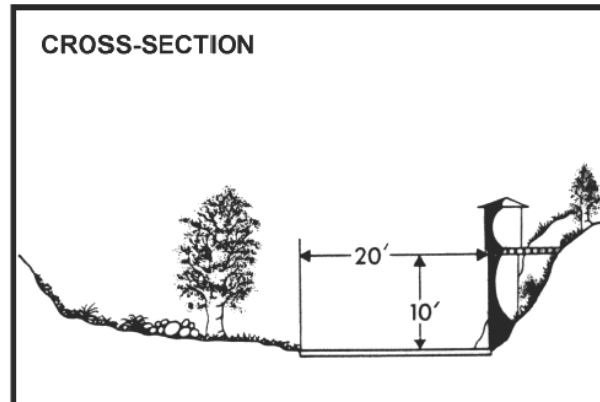
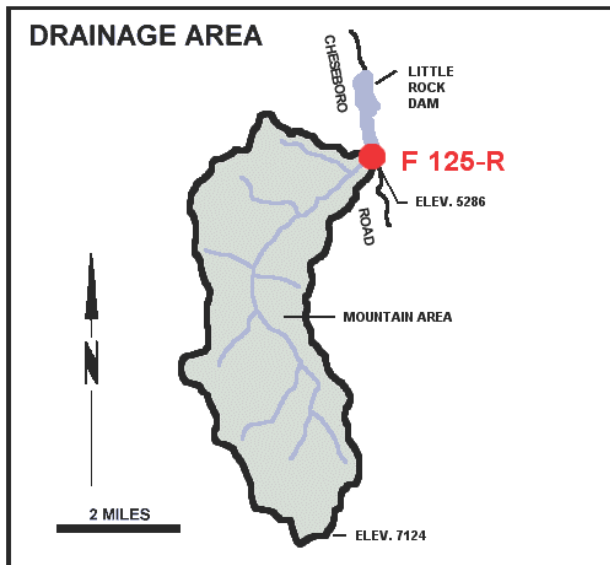
REMARKS

RUNOFF - STREAM GAGING STATION INFORMATION

SANTIAGO CREEK

above Little Rock Creek

STATION NO. F125-R



RECORDER continuous water stage.

METHOD OF MEASUREMENT wading.

DRAINAGE AREA 11.20 square miles.

LOCATION 1,000 feet above Little Creek and 4.5 miles south of Little Rock.

REGULATION none.

DIVERSION none.

CHANNEL sand, gravel and boulders.

CONTROL concrete and rubble wall.

LENGTH OF RECORD September 29, 1953 to date.

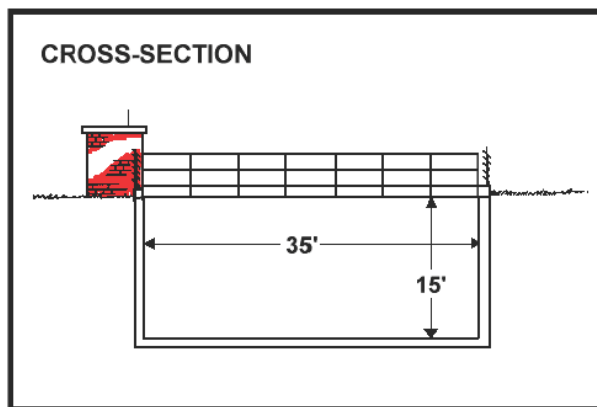
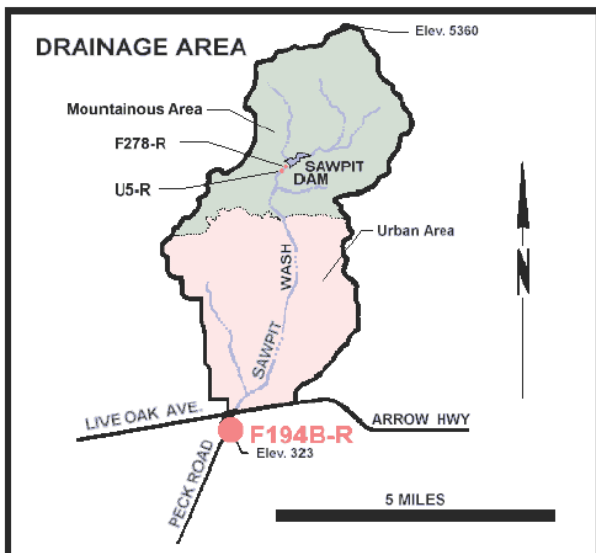
REMARKS no high flow measurements.

RUNOFF - STREAM GAGING STATION INFORMATION

SAWPIT WASH

below Live Oak Avenue

STATION NO. F194B-R



RECORDER 5 min. interval data logger.

METHOD OF MEASUREMENT wading from footbridge.

DRAINAGE AREA 16.10 square miles.

LOCATION 1,500 feet below Arrow Highway, 3.0 miles south of Monrovia.

REGULATION partially regulated by Sawpit and Santa Fe Dams, and several debris basins.

DIVERSION none.

CHANNEL concrete, rectangular section.

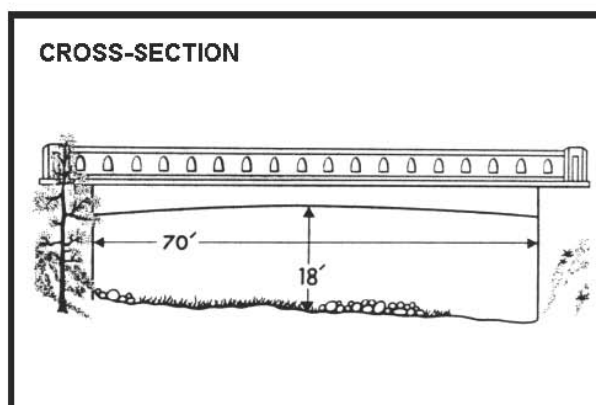
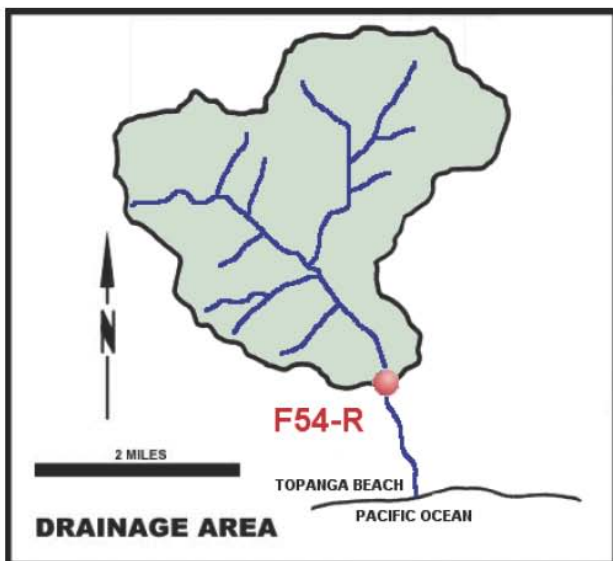
CONTROL channel forms control.

LENGTH OF RECORD at Station F194-R, February 22, 1932 to September 1, 1935; at Station F194B-R, December 5, 1960 to date.

RUNOFF - STREAM GAGING STATION INFORMATION

TOPANGA CREEK

above Mouth of Canyon
STATION NO. F54C-R



RECORDER continuous water stage.

METHOD OF MEASUREMENT wading.

DRAINAGE AREA 18.00 square miles.

LOCATION downstream side to Topanga Canyon Road bridge, 2.0 miles north of Topanga Beach.

REGULATION none.

DIVERSION none.

CHANNEL rock and gravel, natural section.

CONTROL none.

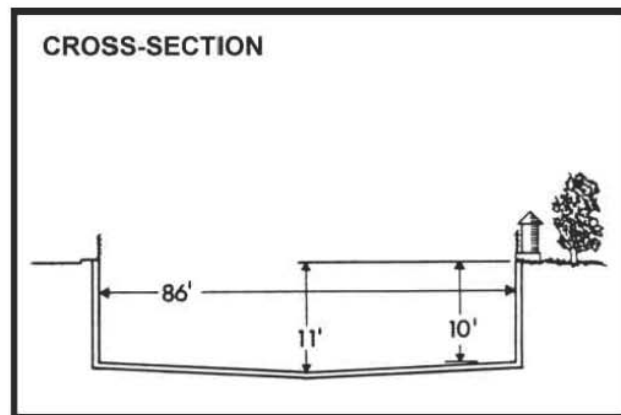
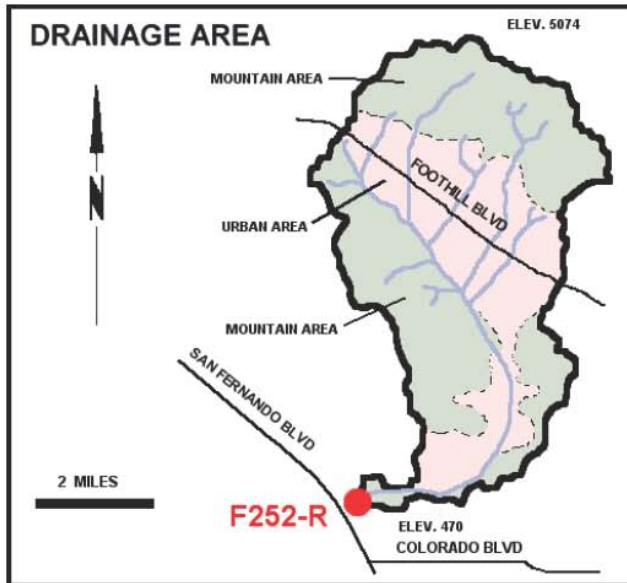
LENGTH OF RECORD at Station F54-R, January 1, 1930 to June 4, 1940; at Station F54B-R, June 5, 1940 to January 31, 1990; at Station 54C-R, October 1, 1997 to date.

RUNOFF - STREAM GAGING STATION INFORMATION

VERDUGO WASH

@ Estelle Avenue

STATION NO. F252-R



RECORDER continuous water stage.

METHOD OF MEASUREMENT wading or from Concord Street bridge.

DRAINAGE AREA 26.80 square miles.

LOCATION 800 feet east of San Fernando Road, 2.0 miles northwest of Glendale.

REGULATION partially regulated by several debris basins.

DIVERSION none.

CHANNEL concrete, rectangular section.

CONTROL channel forms control.

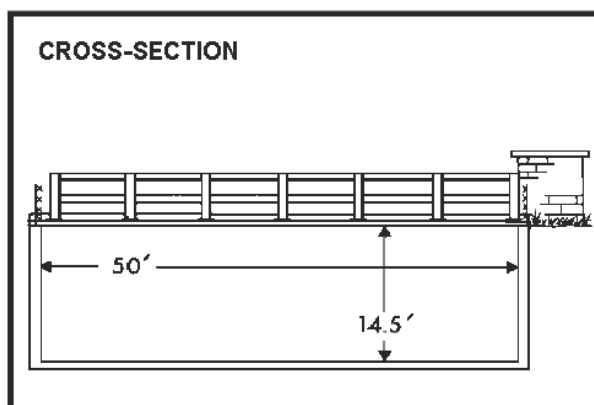
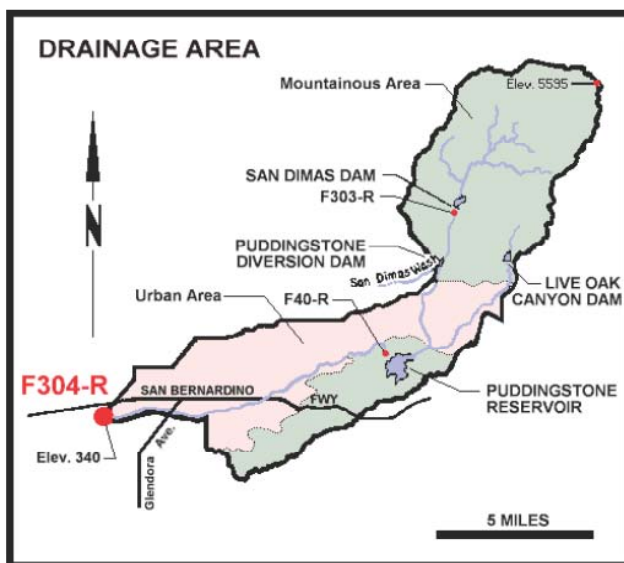
LENGTH OF RECORD December 2, 1935 to date.

RUNOFF - STREAM GAGING STATION INFORMATION

WALNUT CREEK

above Puente Avenue

STATION NO. F304-R



RECORDER 5 min. interval data logger.

METHOD OF MEASUREMENT wading or from footbridge.

DRAINAGE AREA 57.60 square miles.

LOCATION 845.0 feet upstream of Puente Avenue bridge, Baldwin park.

REGULATION partially regulated by San Dimas, Puddingstone Diversion, Puddingstone, and Live Oak Dams.

DIVERSION none.

CHANNEL concrete, rectangular section.

CONTROL channel forms control.

LENGTH OF RECORD October 14, 1952 to April 11, 1961, January 3, 1962 to date.

REMARKS no record during April 11, 1961 to January 3, 1962 due to channel construction.

APPENDIX C

HYDROLOGIC REPORT 2005 – 2006

RUNOFF – DAILY DISCHARGE

RUNOFF - DAILY DISCHARGE

Los Angeles County Dept of Public Works

USDAY V43 Output 01/17/2007

Summary Report

Site: F81D Alhambra Wash Near Klingerman Street
 USGS #:
 Beginning Date: 10/01/2005
 Ending Date: 09/30/2006

Daily Mean Discharge in Cubic feet/second Water Year Oct 2005 to Sep 2006

Day	OCT	NOV	DEC	JAN	FEB	MAR	APR	MAY	JUN	JUL	AUG	SEP
1	1.2	1.2	4.2	47	3.6	4.8	100	1.5	4.9	2.1	6.5	4.2
2	1.2	1.2	6.1	469	4.1	2.4	3.9	1.7	3.0	1.8	6.5	4.2
3	1.2	1.2	9.6	8.6	4.2	85	2.5	1.6	2.3	1.2	6.5	4.2
4	1.2	1.3	4.4	3.4	4.0	4.5	330	1.7	2.0	.79	6.5	4.2
5	1.2	1.2	4.8	2.2	3.8	2.1	187	1.7	2.0	.73	6.5	4.2
6	1.2	1.2	5.0	1.7	4.0	25	4.9	1.8	2.1	.80	6.5	4.2
7	1.2	1.3	5.1	1.5	4.1	12	2.1	1.8	2.1	1.0	6.8	4.2
8	1.2	1.4	5.3	2.7	4.3	3.0	1.5	1.8	2.1	1.3	6.5	4.1
9	1.2	7.5	13	1.8	4.2	1.8	1.5	1.8	2.0	1.6	6.9	3.6
10	1.2	7.3	5.4	1.7	4.4	34	1.6	2.1	2.1	1.9	7.1	3.4
11	1.4	3.3	5.0	1.5	4.4	28	1.5	2.1	2.0	2.6	7.9	3.3
12	1.4	1.7	5.1	1.5	4.4	4.3	1.5	2.1	2.1	3.6	7.6	3.0
13	1.4	1.3	5.5	2.3	4.2	2.5	1.8	2.2	2.0	4.2	7.1	2.7
14	1.4	1.2	5.4	19	4.2	2.3	126	2.1	2.0	4.1	7.1	2.7
15	3.8	1.4	5.8	4.6	4.2	2.6	12	2.3	2.2	3.5	7.1	2.6
16	9.3	1.6	6.1	2.2	4.2	2.1	3.5	2.4	2.3	2.9	7.1	2.4
17	296	1.6	5.9	1.8	27	44	1.7	2.4	2.7	3.0	7.6	2.4
18	21	1.6	6.2	1.6	15	13	1.5	2.4	2.4	2.8	7.8	2.4
19	2.5	1.8	6.5	1.6	41	8.8	1.7	2.8	2.4	2.4	6.8	2.5
20	1.3	1.7	7.2	1.5	5.7	103	2.0	5.5	2.4	2.4	4.5	2.1
21	1.3	1.9	6.8	1.7	3.4	24	2.5	6.0	2.4	2.4	4.1	1.8
22	1.2	2.0	7.0	1.7	3.0	3.3	1.9	148	2.6	2.6	3.8	2.1
23	1.2	2.1	8.1	2.1	2.5	2.0	3.5	5.2	2.6	2.2	4.0	1.8
24	1.2	2.3	7.2	2.4	2.4	1.8	2.1	2.7	2.4	1.8	4.0	1.5
25	1.6	2.3	6.7	2.4	2.3	1.8	2.7	2.3	2.4	1.7	4.0	1.5
26	1.3	2.4	9.6	2.5	2.2	2.0	1.9	2.0	2.5	1.9	4.1	1.6
27	1.2	2.3	6.5	2.7	244	1.8	1.7	1.8	2.9	2.7	3.7	1.5
28	1.2	2.4	5.4	3.0	275	311	1.6	1.8	2.7	3.1	3.7	1.8
29	1.2	2.6	5.4	2.8	-----	26	1.7	1.7	2.9	3.9	4.0	1.8
30	1.2	3.6	5.4	2.9	-----	3.9	1.7	2.0	2.8	4.7	4.0	1.8
31	1.2	-----	202	3.3	-----	3.4	-----	4.6	-----	5.8	4.2	-----
Total	365.3	65.9	391.7	604.7	689.8	766.2	809.5	221.9	73.3	77.52	180.5	83.8
Mean	11.8	2.20	12.6	19.5	24.6	24.7	27.0	7.16	2.44	2.50	5.82	2.79
Max	296	7.5	202	469	275	311	330	148	4.9	5.8	7.9	4.2
Min	1.2	1.2	4.2	1.5	2.2	1.8	1.5	1.5	2.0	.73	3.7	1.5
Acre-Ft	725	131	777	1200	1370	1520	1610	440	145	154	358	166
Wtr Year 2006	Total	4330.12	Mean	11.9	Max	469	Min	.73	Acre-Ft	8590		
Cal Year 2005	Total	7741.25	Mean	21.2	Max	982	Min	.32	Acre-Ft	15350		

RUNOFF - DAILY DISCHARGE

Los Angeles County Dept of Public Works

USDAY V43 Output 01/17/2007

Summary Report

Site: F317 Arcadia Wash Below Grand Avenue
 USGS #:
 Beginning Date: 10/01/2005
 Ending Date: 09/30/2006

Daily Mean Discharge in Cubic feet/second Water Year Oct 2005 to Sep 2006

Day	OCT	NOV	DEC	JAN	FEB	MAR	APR	MAY	JUN	JUL	AUG	SEP
1	.84	1.1	.70	.25	.88	1.2	.54	.50	.35	.38	.42	.35
2	.85	.70	.10	.230	.94	.92	.49	.46	.17	.32	.38	.32
3	.88	.73	1.0	2.1	.96	.90	.49	.47	.18	.39	.38	.38
4	.87	.88	.75	1.1	.94	1.1	134	.47	.15	.45	.36	.47
5	.86	.86	.75	1.1	1.1	.92	117	.48	.16	.41	.36	.60
6	.84	1.1	.75	.82	1.2	.27	1.1	.45	.19	.50	.33	.34
7	.86	.88	.82	.82	1.0	5.0	.76	.50	.19	.47	.35	.30
8	.84	.85	.93	.73	1.1	.96	.67	.45	.20	.52	.33	.34
9	.86	2.3	3.0	.74	1.1	.91	.62	.47	.20	.50	.35	.30
10	.92	1.3	.74	.78	1.1	.27	.62	.48	.19	.51	.47	.37
11	.92	.95	.72	.74	1.2	.22	.14	.45	.21	.47	.50	.31
12	.93	.75	.74	.79	1.1	3.8	.14	.46	.20	.53	.48	.26
13	.96	.72	.95	.77	1.1	1.1	.35	.47	.53	.47	.47	.35
14	.90	.76	.75	6.7	.80	1.1	.92	.50	.40	.58	.51	.43
15	6.3	.78	.85	.80	.82	.89	10	.49	.36	.45	.50	.44
16	.14	.98	.94	.70	.87	.89	.49	.46	.32	.46	.50	.40
17	178	.87	.85	.77	.24	.36	.46	.49	.33	.52	.50	.44
18	.26	.96	.80	.75	3.2	.16	.49	.46	.30	.46	.43	.41
19	.86	.94	.86	.89	.27	2.6	.42	.46	.31	.50	.33	.41
20	.75	1.0	.78	.93	1.0	.61	.43	.46	.39	.45	.36	.38
21	.80	.98	.81	.96	.85	.16	.46	.47	.33	.48	.49	.38
22	.77	.90	.82	.95	.90	.89	.46	.56	.31	.49	.37	.49
23	.77	.97	.92	1.0	1.0	.80	1.8	.53	.39	.56	.37	.52
24	1.6	.90	.85	1.1	.90	.80	.45	.50	.34	.73	.38	.43
25	1.2	.89	.83	.84	.88	.89	.41	.48	.36	.40	.38	.42
26	.69	.93	1.6	1.0	.92	.85	.49	.55	.41	.44	.42	.38
27	.84	.73	.93	.90	133	1.0	.51	1.3	.37	.44	.45	.35
28	.98	.77	.93	.88	166	162	.46	.31	.32	.47	.40	.40
29	.91	.71	.96	.87	-----	.17	.48	.42	.39	.55	.39	.38
30	.88	.65	.97	.88	-----	.46	.45	.38	.35	3.4	.41	.40
31	.91	-----	.83	.83	-----	.45	-----	.43	-----	.42	.40	-----
Total	248.59	27.84	120.30	287.24	375.86	501.53	420.64	70.80	8.90	17.72	12.77	11.75
Mean	8.02	.93	3.88	9.27	13.4	16.2	14.0	2.28	.30	.57	.41	.39
Max	178	2.3	.83	.230	166	162	134	.56	.53	3.4	.51	.60
Min	.69	.65	.70	.70	.80	.45	.14	.31	.15	.32	.33	.26
Acre-Ft	493	55	239	570	746	995	834	140	18	35	25	23
Wtr Year 2006	Total	2103.94	Mean	5.76	Max	230	Min	.14	Acre-Ft	4170		
Cal Year 2005	Total	4867.77	Mean	13.3	Max	558	Min	.55	Acre-Ft	9660		

RUNOFF - DAILY DISCHARGE

Los Angeles County Dept of Public Works

USDAY V43 Output 01/17/2007

Summary Report

Site: F277 Arroyo Seco Below Devil's Gate Dam
 USGS #:
 Beginning Date: 10/01/2005
 Ending Date: 09/30/2006

Daily Mean Discharge in Cubic feet/second Water Year Oct 2005 to Sep 2006

Day	OCT	NOV	DEC	JAN	FEB	MAR	APR	MAY	JUN	JUL	AUG	SEP
1	8.6	6.1	5.5	19	6.7	269	27	4.3	4.7	4.8	3.0	3.5
2	8.6	7.0	7.0	409	6.7	8.7	45	4.5	4.7	4.8	3.5	3.5
3	8.6	6.6	5.9	505	7.4	71	35	4.6	4.7	4.9	3.5	3.5
4	8.6	6.4	4.3	385	7.8	12	63	4.8	4.6	4.8	3.5	3.5
5	8.6	6.6	3.8	13	7.8	8.4	8.2	4.8	4.6*	5.0	3.5	3.5
6	8.6	6.5	3.7	6.4	7.1	24	13	4.8	4.7	4.0	3.5	3.5
7	8.6	7.0	3.8	5.7	6.8	14	13	4.8	4.7	3.2	3.5	3.5
8	8.6	7.2	4.7	5.2	6.9	8.7	13	4.8	4.6	3.2	3.5	3.5
9	8.6	8.9	5.8	5.1	7.1	8.5	13	4.8	4.6	3.3	3.5	3.5
10	8.6	9.6	5.3	4.6	7.1	10	12	4.8	4.6	3.4	3.5	3.5
11	8.6	7.0	5.3	5.0	7.4	14	12	4.8	4.6	3.4	3.5	3.5
12	8.6	6.4	4.6	9.8	7.3	6.9	12	4.8	4.6	3.4	3.5	3.5
13	8.6	6.1	4.6	15	7.6	7.5	13	4.8	4.6	3.0	3.5	3.5
14	8.6	6.3	4.6	14	7.5	8.1	8.9	4.8	4.6	3.0	3.5	3.5
15	8.6	6.4	4.8	13	7.7	8.2	14	4.8	4.6	3.5	3.5	3.5
16	18	5.6	4.5	12	6.5	8.8	9.2	4.8	4.5	3.1	3.5	3.5
17	43	5.4	5.3	7.0	21	7.8	9.7	4.8	4.5	3.4	3.5	3.5
18	35	5.5	5.2	4.7	7.0	8.5	8.3	4.8	4.5	3.4	3.5	3.5
19	10	5.1	4.9	32	9.0	7.3	7.7	4.8	4.7	3.3	3.5	3.5
20	10	5.4	5.3	5.0	6.0	22	9.2	4.7	4.6	3.3	2.0	3.5
21	10	5.5	5.7	4.6	5.8	31	8.6	4.7	4.6	3.5	3.5	3.5
22	10	5.8	5.7	4.7	5.8	10	13	4.7	4.6	3.8	3.5	3.5
23	10	6.0	6.2	5.1	6.5	13	13	4.7	4.6	3.3	3.5	3.5
24	10	5.9	5.6	6.0	7.0	14	12	4.7	4.6	3.7	3.5	3.5
25	10	5.9	5.6	6.1	7.6	11	15	4.7	4.6	3.8	3.5	3.5
26	10	5.5	6.1	6.9	8.1	13	15	4.7	4.6	3.4	3.5	3.5
27	10	4.5	5.6	6.5	286	11	12	4.7*	4.6	3.3	3.5	3.5
28	10	4.3	5.4	6.2	826	74	12	4.7	4.6	3.1	3.5	3.5
29	7.4	4.6	5.5	5.7	-----	33	14	4.6	4.6	3.0	3.5	3.5
30	4.9	5.1	5.1	5.3	-----	40	4.6	4.7	4.9	2.9	3.5	3.5
31	5.5	-----	215	7.0	-----	9.5	-----	4.8	-----	2.8	3.5	-----
Total	342.8	184.2	370.4	1539.6	1311.2	792.9	465.4	146.6	138.6	110.8	106.5	105.0
Mean	11.1	6.14	11.9	49.7	46.8	25.6	15.5	4.73	4.62	3.57	3.44	3.50
Max	43	9.6	215	505	826	269	63	4.8	4.9	5.0	3.5	3.5
Min	4.9	4.3	3.7	4.6	5.8	6.9	4.6	4.3	4.5	2.8	2.0	3.5
Acre-Ft	680	365	735	3050	2600	1570	923	291	275	220	211	208
Wtr Year 2006	Total	5614.0	Mean	15.4	Max	826	Min	2.0	Acre-Ft	11140		
Cal Year 2005	Total	63966.0	Mean	175	Max	8280	Min	3.7	Acre-Ft	126900		

RUNOFF - DAILY DISCHARGE

Los Angeles County Dept of Public Works

USDAY V43 Output 01/17/2007

Summary Report

Site: F220B San Gabriel - Azusa Conduit 10 Ft. Weir Below S.G. Dam
 USGS #:
 Beginning Date: 10/01/2005
 Ending Date: 09/30/2006

Daily Mean Discharge in Cubic feet/second Water Year Oct 2005 to Sep 2006

Day	OCT	NOV	DEC	JAN	FEB	MAR	APR	MAY	JUN	JUL	AUG	SEP
1	0	0	0	0	0	6.1	48	59	0	0	0	0
2	0	0	0	0	0	28	48	58	0	0	0	0
3	0	0	0	0	0	39	48	58	0	0	0	0
4	0	0	0	0	0	39	54	58	0	0	0	0
5	0	0	0	0	0	40	58	59	0	0	0	0
6	0	0	0	0	0	40	58	59	0	0	0	0
7	0	0	0	0	0	40	58	59	0	0	0	0
8	0	0	0	0	0	40	58	59	0	0	0	0
9	0	0	0	0	0	39	58	58	0	0	0	0
10	0	0	0	0	0	40	58	58	0	0	0	0
11	0	0	0	0	0	40	58	57	0	0	0	0
12	0	0	0	0	0	41	57	58	0	0	0	0
13	0	0	0	0	0	36	57	58	0	0	0	0
14	0	0	0	0	0	39	57	57	0	0	0	0
15	0	0	0	0	0	40	57	57	0	0	0	0
16	0	0	0	0	0	45	57	51	0	0	0	0
17	0	0	0	0	0	41	56	56	0	0	0	0
18	0	0	0	0	0	45	56	60	0	0	0	0
19	0	0	0	0	0	44	57	60	0	0	0	0
20	0	0	0	0	0	45	57	60	0	0	0	0
21	0	0	0	0	0	47	57	59	0	0	0	0
22	0	0	0	0	0	49	56	60	0	0	0	0
23	0	0	0	0	0	17	55	60	0	0	0	0
24	0	0	0	0	0	2.0	55	59	0	0	0	3.5
25	0	0	0	0	0	2.0	55	59	0	0	0	28
26	0	0	0	0	0	33	56	59	0	0	0	38
27	0	0	0	0	0	50	56	59	0	0	0	38
28	0	0	0	0	0	49	56	57	0	0	0	38
29	0	0	0	0	-----	49	56	56	0	0	0	38
30	0	0	0	0	-----	49	57	59	0	0	0	38
31	0	-----	0	0	-----	49	-----	15	-----	0	0	-----
Total	0	0	0	0	0	1163.1	1674	1761	0	0	0	221.5
Mean	0	0	0	0	0	37.5	55.8	56.8	0	0	0	7.38
Max	0	0	0	0	0	50	58	60	0	0	0	38
Min	0	0	0	0	0	2.0	48	15	0	0	0	0
Acre-Ft	0	0	0	0	0	2310	3320	3490	0	0	0	439
Wtr Year 2006	Total	4819.6	Mean	13.3	Max	60	Min	0	Acre-Ft	9560		
Cal Year 2005	Total	4160.66	Mean	11.4	Max	57	Min	0	Acre-Ft	8250		

RUNOFF - DAILY DISCHARGE

Los Angeles County Dept of Public Works

USDAY V43 Output 01/17/2007

Summary Report

Site: F250 San Gabriel River - Azusa Cond. 25 Ft. Weir Below Dam
 USGS #:
 Beginning Date: 10/01/2005
 Ending Date: 09/30/2006

Daily Mean Discharge in Cubic feet/second Water Year Oct 2005 to Sep 2006

Day	OCT	NOV	DEC	JAN	FEB	MAR	APR	MAY	JUN	JUL	AUG	SEP
1	0	0	0	0	0	69	64	77	36	0	84	56
2	0	0	0	0	.50	76	66	77	24	0	84	57
3	0	0	0	0	1.5	75	72	76	14	0	84	57
4	0	0	0	0	2.8	76	76	76	6.4	0	84	56
5	0	0	0	0	4.6	76	75	76	1.6	0	84	56
6	0	0	0	0	6.8	77	76	75	0	0	82	53
7	0	0	0	0	9.3	77	73	75	0	0	61	51
8	0	0	0	0	12	78	70	75	0	0	54	51
9	0	0	0	0	15	78	72	74	0	0	54	51
10	0	0	0	0	18	79	73	74	0	0	54	51
11	0	0	0	0	22	79	72	74	0	0	54	51
12	0	0	0	0	25	80	72	73	0	0	54	51
13	0	0	0	0	29	80	72	73	0	0	68	51
14	0	0	0	0	33	60	73	73	0	0	73	50
15	0	0	0	0	37	44	73	72	0	0	73	50
16	0	0	0	0	85	48	73	72	0	0	73	50
17	0	0	0	0	124	65	74	72	0	0	73	50
18	0	0	0	0	109	62	66	72	0	0	73	50
19	0	0	0	0	95	65	70	72	0	42	73	50
20	0	0	0	0	81	65	72	72	0	78	73	50
21	0	0	0	0	70	56	72	71	0	79	73	49
22	0	0	0	0	67	41	72	71	0	79	73	40
23	0	0	0	0	66	15	71	71	0	83	60	35
24	0	0	0	0	43	1.3	72	71	0	89	54	35
25	0	0	0	0	.90	1.3	73	71	0	83	54	38
26	0	0	0	0	.90	44	75	71	0	80	54	39
27	0	0	0	0	36	65	78	71	0	80	55	39
28	0	0	0	0	67	64	78	71	0	72	54	39
29	0	0	0	0	-----	65	77	71	0	84	56	39
30	0	0	0	0	-----	65	78	63	0	84	57	39
31	0	-----	0	0	-----	65	-----	49	-----	84	57	-----
Total	0	0	0	0	1061.30	1891.6	2180	2231	82.0	1017	2059	1434
Mean	0	0	0	0	37.9	61.0	72.7	72.0	2.73	32.8	66.4	47.8
Max	0	0	0	0	124	80	78	77	36	89	84	57
Min	0	0	0	0	0	1.3	64	49	0	0	54	35
Acre-Ft	0	0	0	0	2110	3750	4320	4430	163	2020	4080	2840
Wtr Year 2006	Total	11955.90	Mean	32.8	Max	124	Min	0	Acre-Ft	23710		
Cal Year 2005	Total	6809	Mean	18.7	Max	80	Min	0	Acre-Ft	13510		

RUNOFF - DAILY DISCHARGE

Los Angeles County Dept of Public Works

USDAY V43 Output 01/17/2007

Summary Report

Site: F38C Ballona Creek Above Sawtelle Boulevard
 USGS #:
 Beginning Date: 10/01/2005
 Ending Date: 09/30/2006

Daily Mean Discharge in Cubic feet/second Water Year Oct 2005 to Sep 2006

Day	OCT	NOV	DEC	JAN	FEB	MAR	APR	MAY	JUN	JUL	AUG	SEP
1	35	32	52	495	44	55	399	44	43	55	27	33
2	34	33	71	2130	45	49	40	62	45	56	27	32
3	34	32	71	59	47	466	58	62	45	56	27	32
4	33	32	47	39	48	52	1590	50	46	56	25	31
5	33	32	49	35	50	50	630	34	43	58	22	31
6	36	32	45	38	49	174	65	35	42	54	28	32
7	37	34	52	36	52	85	54	36	43	61	26	30
8	37	33	56	35	53	48	58	39	43	60	27	30
9	37	235	75	37	54	49	78	38	45	53	26	30
10	39	103	53	35	56	60	68	37	49	44	25	29
11	43	31	51	37	62	111	56	37	49	54	27	30
12	37	32	57	36	77	45	50	38	47	47	27	33
13	39	31	57	38	82	44	48	36	50	27	26	46
14	40	34	58	123	82	49	357	37	47	24	26	57
15	77	36	60	35	79	67	59	52	46	25	29	57
16	72	35	61	32	80	48	40	68	40	24	26	56
17	1170	36	60	35	356	91	37	67	40	26	26	50
18	372	34	64	29	187	86	39	71	37	27	27	51
19	36	33	72	31	361	56	39	82	37	26	30	43
20	34	33	66	31	69	448	39	86	39	26	27	28
21	35	37	61	31	68	151	36	217	39	29	29	30
22	32	37	61	31	68	46	38	1080	42	28	29	32
23	33	40	70	31	70	45	82	54	43	28	27	33
24	34	36	64	32	71	45	47	52	38	29	29	33
25	34	49	65	34	72	49	47	55	40	30	31	37
26	34	46	80	35	74	47	45	55	45	28	33	37
27	35	45	66	37	1760	49	44	55	48	30	29	39
28	32	50	64	38	1270	2300	44	54	50	29	30	37
29	39	51	63	39	-----	139	45	59	50	29	31	32
30	31	49	63	42	-----	46	43	53	55	29	31	32
31	32	-----	1150	42	-----	47	-----	46	-----	29	31	-----
Total	2646	1373	2984	3758	5386	5097	4275	2791	1326	1177	861	1103
Mean	85.4	45.8	96.3	121	192	164	143	90.0	44.2	38.0	27.8	36.8
Max	1170	235	1150	2130	1760	2300	1590	1080	55	61	33	57
Min	31	31	45	29	44	44	36	34	37	24	22	28
Acre-Ft	5250	2720	5920	7450	10680	10110	8480	5540	2630	2330	1710	2190
Wtr Year 2006	Total	32777	Mean	89.8	Max	2300	Min	22	Acre-Ft	65010		
Cal Year 2005	Total	55985	Mean	153	Max	4390	Min	30	Acre-Ft	111000		

RUNOFF - DAILY DISCHARGE

Los Angeles County Dept of Public Works

USDAY V43 Output 01/17/2007

Summary Report

Site: F120B Big Dalton Creek Below Big Dalton Dam
 USGS #:
 Beginning Date: 10/01/2005
 Ending Date: 09/30/2006

Daily Mean Discharge in Cubic feet/second Water Year Oct 2005 to Sep 2006

Day	OCT	NOV	DEC	JAN	FEB	MAR	APR	MAY	JUN	JUL	AUG	SEP
1	.46	.40	.30	.60	.60	.89	.84	10	1.3	.46	2.5	.10
2	.45	.40	.38	1.2	.60	.68	.75	10	1.3	.47	2.5	.10
3	.44	.40	.40	.81	.60	.80	.71	10	1.3	2.7	2.5	.10
4	.43	.40	.40	.70	.60	.67	1.4	10	1.2	3.6	1.1	.10
5	.36	.40	.40	.60	.60	.60	2.6	10	1.3	3.6	.34	.10
6	.40	.40	.40	.60	.60	.66	1.6	10	1.2	3.6	.30	.10
7	.40	.41	1.6	.60	.60	.68	9.0	11	1.1	1.4	2.6	.10
8	.40	.40	.38	.60	.60	.60	12	11	1.0	.36	3.6	.10
9	.39	.40	.31	.60	.53	.60	12	11	.97	.36	3.6	.10
10	.38	.40	.30	5.1	.50	.61	12	11	.96	2.7	3.6	.10
11	.37	.40	.30	13	.50	.65	11	12	.97	3.6	1.3	.10
12	.44	.40	.31	4.8	.45	.61	11	12	8.4	3.6	.26	.10
13	.41	.40	.30	.50	.40	.60	11	12	12	3.6	.26	.10
14	.40	5.4	.30	.50	.40	.56	4.8	12	3.8	1.4	.22	.10
15	.36	8.9	.30	.52	.41	.50	1.5	4.7	.50	.30	.20	.10
16	.43	5.8	.36	.50	.40	.50	1.2	1.5	.50	.30	.20	.10
17	1.2	.40	.40	.50	.49	.63	8.2	1.7	.50	2.6	.20	.10
18	.56	.33	.40	.50	.43	.62	11	1.8	.50	3.6	.17	.10
19	.50	.30	.40	.50	.61	.60	10	1.8	.50	3.6	.17	.10
20	.47	.30	.40	.50	.50	.66	10	1.9	.50	3.6	.14	.10
21	.40	.30	.33	.55	.47	.86	10	1.9	.50	1.4	.11	.10
22	.40	.25	.30	.54	.40	.75	10	2.1	.50	.30	.10	.10
23	.40	.20	.30	.50	.40	.62	10	1.9	.50	.30	.10	.10
24	.40	.28	.30	.51	.40	.59	10	1.8	.50	2.6	.10	.10
25	.40	.30	.33	.46	.40	.60	10	1.8	.50	3.6	.10	.10
26	.40	.30	.40	.52	.40	.56	10	1.6	1.9	3.6	.10	.10
27	.40	.30	.40	.59	.66	.51	10	1.6	2.5	3.6	.10	.10
28	.40	.30	.40	.60	1.3	.94	10	1.6	2.5	1.4	.10	.10
29	.40	.30	.41	.60	-----	.97	10	1.5	2.5	.30	.10	.10
30	.40	.30	.45	.60	-----	.83	10	1.4	1.1	.30	.10	.10
31	.40	-----	.69	.60	-----	.71	-----	1.3	-----	1.8	.10	-----
Total	13.65	29.47	12.65	39.30	14.85	20.66	232.60	183.9	52.80	64.65	26.87	3.00
Mean	.44	.98	.41	1.27	.53	.67	7.75	5.93	1.76	2.09	.87	.10
Max	1.2	8.9	1.6	13	1.3	.97	12	12	12	3.6	3.6	.10
Min	.36	.20	.30	.46	.40	.50	.71	1.3	.50	.30	.10	.10
Acre-Ft	27	58	25	78	29	41	461	365	105	128	53	6.0
Wtr Year 2006	Total	694.40	Mean	1.90	Max	13	Min	.10	Acre-Ft	1380		
Cal Year 2005	Total	3668.65	Mean	10.1	Max	467	Min	.20	Acre-Ft	7280		

RUNOFF - DAILY DISCHARGE

Los Angeles County Dept of Public Works

USDAY V43 Output 01/17/2007

Summary Report

Site: F394 Big Rock Creek Upstream from Pallett Creek
 USGS #:
 Beginning Date: 10/01/2005
 Ending Date: 09/30/2006

Daily Mean Discharge in Cubic feet/second Water Year Oct 2005 to Sep 2006

Day	OCT	NOV	DEC	JAN	FEB	MAR	APR	MAY	JUN	JUL	AUG	SEP
1					9.0	27	21	40	35	15	17	12
2					10	21	20	41	34	14	17	12
3					9.9	21	20	40	33	14	18	12
4					9.8	21	41	40	32	14	18	12
5					9.7	20	57	39	31	14	18	12
6					9.7	19	50	39	31	13	18	12
7					9.6	19	49	39	30	14	17	11
8					9.5	19	48	39	29	14	16	11
9					9.4	19	48	39	27	12	15	10
10					9.3	19	47	39	27	14	13	11
11					9.2	19	47	39	26	13	12	10
12					9.2	19	46	40	26	12	12	10
13					9.1	18	46	40	26	13	12	10
14					9.0	18	45	40	25	13	11	9.9
15					8.9	17	45	41	25	13	13	10
16					8.8	17	44	41	24	13	14	10
17					8.7	17	43	44	24	14	14	10
18					8.6	17	42	43	23	15	14	11
19					8.6	17	41	43	21	14	14	11
20					7.8	17	40	43	19	14	13	10
21					7.1	17	39	43	18	15	13	9.6
22				12	6.7	17	39	45	17	30	13	9.3
23				13	6.1	17	38	43	16	29	14	9.7
24				12	5.9	17	37	42	17	22	13	8.3
25				11	5.8	17	37	41	16	18	12	6.8
26				9.9	5.8	17	38	40	19	17	12	6.7
27				8.8	16	17	37	40	18	16	13	6.3
28				7.7	195	26	36	40	17	16	13	6.3
29				7.2	-----	21	38	39	16	16	13	6.2
30				7.4	-----	21	40	38	15	17	12	6.0
31		-----		7.6	-----	21	-----	36	-----	17	12	-----
Total				96.6	432.2	589	1219	1256	717	485	436	292.1
Mean				9.66	15.4	19.0	40.6	40.5	23.9	15.6	14.1	9.74
Max				13	195	27	57	45	35	30	18	12
Min				7.2	5.8	17	20	36	15	12	11	6.0
Acre-Ft				192	857	1170	2420	2490	1420	962	865	579
Wtr Year 2006	Total	5522.9	Mean	21.9	Max	195	Min	5.8	Acre-Ft	10950		
Cal Year 2005	Total	32482	Mean	119	Max	1600	Min	10	Acre-Ft	64430		

RUNOFF - DAILY DISCHARGE

Los Angeles County Dept of Public Works

USDAY V43 Output 01/17/2007

Summary Report

Site: F377 Bouquet Creek Near Saugus
 USGS #:
 Beginning Date: 10/01/2005
 Ending Date: 09/30/2006

Daily Mean Discharge in Cubic feet/second Water Year Oct 2005 to Sep 2006

Day	OCT	NOV	DEC	JAN	FEB	MAR	APR	MAY	JUN	JUL	AUG	SEP
1			0	14	0	0	3.7	0	0	0	0	0
2			2.3	95	0	0	0	0	0	0	0	0
3			0	.02	0	4.5	0	0	0	0	0	0
4			0	0	0	0	23	0	0	0	0	0
5			0	0	0	0	36	0	0	0	0	0
6			0	0	0	3.5	2.0	0	0	0	0	0
7			0	0	0	0	0	0	0	0	0	0
8			0	0	0	0	0	0	0	0	0	0
9			0	0	0	0	0	0	0	0	0	0
10			0	0	0	1.2	14	0	0	0	0	0
11		0	0	0	0	.37	0	0	0	0	0	0
12		0	0	0	0	.72	0	0	0	0	0	0
13		0	0	0	0	0	0	0	0	0	0	0
14		0	0	4.2	0	0	19	0	0	0	0	0
15		0	0	0	0	0	.04	0	0	0	0	0
16		0	0	0	0	0	0	0	0	0	0	0
17		0	0	0	2.8	0	0	0	0	0	0	0
18		0	0	0	.86	.29	0	0	0	0	0	0
19		0	0	0	1.5	0	0	0	0	0	0	0
20		0	0	0	0	12	0	0	0	0	0	0
21		0	0	0	0	1.5	0	2.4	0	0	0	0
22		0	0	0	0	0	0	9.6	0	0	0	0
23		0	0	0	0	0	0	0	0	0	0	0
24		0	0	0	0	0	0	0	0	0	0	0
25		0	0	0	0	0	0	0	0	0	0	0
26		0	0	0	0	0	0	0	0	0	0	0
27		0	0	0	64	0	0	0	0	0	0	0
28		0	0	0	52	45	0	0	0	0	0	0
29		0	0	0	-----	2.6	0	0	0	0	0	0
30		0	0	0	-----	0	0	0	0	0	0	0
31		-----	8.3	0	-----	0	-----	0	-----	0	-----	-----
Total		0	10.6	113.22	121.16	71.68	97.74	12.0	0	0	0	0
Mean		0	.34	3.65	4.33	2.31	3.26	.39	0	0	0	0
Max		0	8.3	95	64	45	36	9.6	0	0	0	0
Min		0	0	0	0	0	0	0	0	0	0	0
Acre-Ft		0	21	225	240	142	194	24	0	0	0	0
Wtr Year 2006	Total	426.40	Mean	1.32	Max	95	Min	0	Acre-Ft	846		
Cal Year 2005	Total	3990.35	Mean	12.3	Max	1050	Min	0	Acre-Ft	7910		

RUNOFF - DAILY DISCHARGE

Los Angeles County Dept of Public Works

USDAY V43 Output 01/17/2007

Summary Report

Site: F329 Bradbury Channel Below Central Avenue
 USGS #:
 Beginning Date: 10/01/2005
 Ending Date: 09/30/2006

Daily Mean Discharge in Cubic feet/second Water Year Oct 2005 to Sep 2006

Day	OCT	NOV	DEC	JAN	FEB	MAR	APR	MAY	JUN	JUL	AUG	SEP
1	.06	1.5	1.0	12	1.7	1.0	8.5	1.8	.51	1.6	1.6	.18
2	.09	1.5	1.5	23	1.8	.35	2.1	1.8	.53	1.7	1.4	.12
3	.13	1.5	2.3	10	1.5	5.7	2.0	1.8	1.6	1.6	1.4	.39
4	.07	1.5	2.5	8.2	1.7	.26	17	.79	1.8	2.4	1.2	.18
5	.06	1.5	2.0	7.5	.65	.11	18	.80	1.4	1.5	1.1	.12
6	.05	1.0	1.9	7.5	.50	1.5	2.6	.76	.61	1.0	1.1	.07
7	.0	1.0	1.8	7.5	.70	.42	2.1	.63	.62	.80	.74	.12
8	.01	1.0	1.8	7.5	.49	.30	1.9	.67	1.6	.59	.24	.15
9	.08	1.0	1.1	3.1	.46	1.1	1.7	.77	1.5	.95	.14	.21
10	.16	1.0	1.0	.10	1.0	2.9	1.9	2.4	.82	.90	.08	.28
11	.19	1.0	1.0	.83	1.2	2.1	2.2	1.4	.82	.59	.10	.14
12	.17	1.0	1.0	1.9	.93	2.1	1.9	.76	.87	.59	.20	.18
13	.19	1.0	1.0	.47	.89	2.0	1.4	1.8	.85	1.6	.73	.28
14	.10	1.0	1.0	1.1	.90	1.6	14	1.6	.53	.82	.47	.25
15	.08	1.0	1.7	1.0	1.1	1.6	2.3	1.7	.75	.59	.49	.04
16	.41	1.0	1.9	.53	1.2	1.2	1.8	1.3	.68	.59	.30	.03
17	.25	.96	1.9	.60	3.6	7.5	1.4	1.5	.66	.59	.36	.23
18	3.5	1.0	2.1	.37	1.5	2.9	.94	1.5	.70	.67	.27	.09
19	3.1	1.0	2.2	.40	2.6	1.5	.67	.82	.84	.59	.20	.06
20	2.6	.87	2.4	.81	1.4	7.5	.55	1.3	.79	.96	.41	.06
21	2.6	.74	3.2	.77	1.8	1.6	.48	1.8	.93	1.1	.17	.03
22	2.6	1.0	2.6	1.1	1.3	.75	.83	4.4	.90	1.3	.21	.01
23	2.6	1.0	2.6	1.6	1.0	.89	.89	1.9	1.0	1.3	.07	.01
24	2.6	1.0	2.6	.97	.99	1.4	.71	1.1	1.4	1.2	.07	.04
25	2.3	1.0	2.6	.85	1.1	1.5	1.5	.95	1.7	1.8	.07	.03
26	2.1	1.0	3.1	1.4	1.3	1.7	1.6	.64	1.6	1.0	.18	.01
27	2.1	1.0	3.2	1.5	.21	1.6	1.8	1.7	1.8	.74	.39	.01
28	2.0	1.0	4.5	1.8	23	20	1.7	.58	1.6	1.1	.22	.01
29	1.5	1.0	3.2	1.8	-----	4.0	1.8	.52	1.7	1.4	.24	.07
30	1.5	1.0	3.2	1.5	-----	2.3	1.7	.46	1.6	1.8	.07	.10
31	1.5	-----	17	1.8	-----	2.1	-----	.51	-----	1.8	.10	-----
Total	59.45	32.07	80.9	109.50	77.31	81.48	97.97	40.46	32.71	35.17	14.32	3.50
Mean	1.92	1.07	2.61	3.53	2.76	2.63	3.27	1.31	1.09	1.13	.46	.12
Max	25	1.5	17	23	23	20	18	4.4	1.8	2.4	1.6	.39
Min	0	.74	1.0	.10	.46	.11	.48	.46	.51	.59	.07	.01
Acre-Ft	118	64	160	217	153	162	194	80	65	70	28	6.9
Wtr Year 2006	Total	664.84	Mean	1.82	Max	25	Min	0	Acre-Ft	1320		
Cal Year 2005	Total	1543.43	Mean	4.23	Max	135	Min	0	Acre-Ft	3060		

RUNOFF - DAILY DISCHARGE

Los Angeles County Dept of Public Works

USDAY V43 Output 01/17/2007

Summary Report

Site: F342 Branford Street Channel Below Sharp Avenue
 USGS #:
 Beginning Date: 10/01/2005
 Ending Date: 09/30/2006

Daily Mean Discharge in Cubic feet/second Water Year Oct 2005 to Sep 2006

Day	OCT	NOV	DEC	JAN	FEB	MAR	APR	MAY	JUN	JUL	AUG	SEP
1	.15	.20	.24	9.2	.24	.84	10	.38	.38	.45	.48	.53
2	.15	.20	.70	56	.22	.38	.40	.40	.41	.52	.44	.45
3	.15	.20	.27	.29	.22	.25	.43	.39	.40	.45	.47	.44
4	.15	.20	.25	.25	.23	.35	.48	.38	.39	.53	.82	.47
5	.12	.20	.24	.23	.21	.32	16	.41	.41	.53	.45	.47
6	.13	.20	.24	.21	.20	4.7	.42	.40	.42	.45	.47	.43
7	.15	.20	.24	.21	.20	.43	.40	.39	.42	.46	.57	.52
8	.15	.20	.25	.20	.20	.32	.41	.39	.41	.45	.47	.47
9	.15	3.0	.27	.20	.20	.30	.40	.41	.60	.43	.48	.66
10	.15	1.1	.25	.21	.21	1.4	.71	.38	.42	.42	.47	.47
11	.15	.29	.25	.24	.22	6.7	.40	.44	.39	.43	.59	.45
12	.15	.26	.25	.24	.22	.44	.40	.41	.40	.42	.56	.42
13	.13	.25	.25	.24	.20	.40	.39	.40	.41	.43	.48	.50
14	.14	.25	.25	3.7	.21	.40	1.7	.38	.40	.43	.49	.51
15	.15	.24	.25	.27	.25	.39	.40	.38	.38	.45	.57	.51
16	.15	.24	.25	.25	.24	.37	.40	.39	.38	.43	.48	.44
17	.31	.24	.25	.25	5.5	.59	.37	.40	.43	.45	.43	.42
18	.13	.23	.25	.25	1.9	.93	.32	.53	.39	.46	.40	.97
19	.29	.24	.24	.25	2.4	.40	.33	.41	.42	.48	.40	.39
20	.27	.23	.22	.24	.40	16	.38	.40	.41	.45	.39	.38
21	.25	.24	.20	.23	.40	.70	.42	1.6	.41	.73	.37	.41
22	.25	.23	.21	.22	.39	.38	.41	17	.38	1.2	.38	.43
23	.24	.25	.23	.20	.38	.35	.40	.45	.41	.54	.43	.44
24	.46	.25	.21	.21	.37	.35	.39	.40	.41	.47	.46	.43
25	.78	.25	.24	.25	.35	.35	.35	.40	.40	.45	.49	.44
26	.25	.25	1.7	.25	.35	.35	.35	.40	.48	.45	.42	.43
27	.24	.22	.20	.24	.49	.35	.36	.36	.42	.45	.38	.54
28	.21	.22	.20	.24	18	.35	.38	.36	.46	.45	.37	.41
29	.20	.24	.20	.25	-----	6.6	.38	.39	.44	.48	.35	.42
30	.20	.24	.21	.25	-----	.37	.38	.38	.55	.54	.49	.42
31	.20	-----	17	.24	-----	.36	-----	.38	-----	.51	.46	-----
Total	50.16	10.56	26.01	75.51	82.91	105.82	86.08	30.19	12.63	15.39	14.51	14.27
Mean	1.62	.35	.84	2.44	2.96	3.41	2.87	.97	.42	.50	.47	.48
Max	31	3.0	17	56	49	35	48	17	.60	1.2	.82	.97
Min	.12	.20	.20	.20	.20	.30	.32	.36	.38	.42	.35	.38
Acre-Ft	99	21	52	150	164	210	171	60	25	31	29	28
Wtr Year 2006	Total	524.04	Mean	1.44	Max	56	Min	.12	Acre-Ft	1040		
Cal Year 2005	Total	1291.16	Mean	3.54	Max	161	Min	.12	Acre-Ft	2560		

RUNOFF - DAILY DISCHARGE

Los Angeles County Dept of Public Works

USDAY V43 Output 01/17/2007

Summary Report

Site: E285 Burbank-Western Storm Drain
 USGS #:
 Beginning Date: 10/01/2005
 Ending Date: 09/30/2006

Daily Mean Discharge in Cubic feet/second Water Year Oct 2005 to Sep 2006

Day	OCT	NOV	DEC	JAN	FEB	MAR	APR	MAY	JUN	JUL	AUG	SEP
1	13	12	20	54	17	18	39	20	19	15	14	7.8
2	14	13	22	478	22	17	16	21	18	15	14	7.8
3	14	13	21	17	27	127	20	21	18	15	15	7.4
4	13	13	20	13	26	15	285	22	18	15	14	7.2
5	13	13	16	13	18	15	62	20	18	16	13	7.4
6	13	14	18	13	16	21	18	20	20	14	12	8.1
7	13	15	19	12	18	14	16	20	19	14	13	7.5
8	14	15	19	13	16	15	16	21	17	14	12	12
9	14	25	19	12	17	15	17	21	17	14	12	12
10	13	15	17	13	17	23	19	22	17	14	11	8.2
11	14	13	16	13	18	33	20	22	17	14	10	9.5
12	14	16	16	14	17	16	18	22	17	13	9.7	11
13	13	18	16	14	17	15	19	22	14	14	11	10
14	14	18	16	36	19	13	45	22	15	14	11	9.0
15	14	18	16	13	20	15	19	23	17	13	9.3	14
16	14	17	17	14	20	15	18	23	16	13	8.6	11
17	237	15	16	14	38	16	19	21	16	12	11	15
18	47	19	16	15	21	28	17	20	17	12	8.8	10
19	12	18	16	15	30	16	18	20	16	13	8.2	10
20	11	22	16	15	16	66	17	19	16	13	13	9.9
21	11	21	17	15	17	21	18	28	16	14	14	9.9
22	12	21	19	16	19	17	18	89	16	13	12	11
23	12	22	19	11	20	15	19	18	16	14	11	11
24	13	22	19	9.5	21	15	20	17	15	13	8.6	9.4
25	12	23	19	11	21	16	20	17	14	15	9.0	11
26	12	22	19	12	21	16	20	17	14	16	12	12
27	11	21	21	11	317	16	20	17	14	13	7.4	12
28	11	18	20	11	194	271	20	17	14	13	10	11
29	11	17	19	11	-----	101	20	17	13	13	8.5	9.9
30	11	19	19	10	-----	17	19	19	14	13	11	8.2
31	11	-----	90	12	-----	16	-----	18	-----	13	9.5	-----
Total	651	528	633	930.5	1040	1034	912	696	488	427	343.6	300.2
Mean	21.0	17.6	20.4	30.0	37.1	33.4	30.4	22.5	16.3	13.8	11.1	10.0
Max	237	25	90	478	317	271	285	89	20	16	15	15
Min	11	12	16	9.5	16	13	16	17	13	12	7.4	7.2
Acre-Ft	1290	1050	1260	1850	2060	2050	1810	1380	968	847	682	595
Wtr Year 2006	Total	7983.3	Mean	21.9	Max	478	Min	7.2	Acre-Ft	15830		
Cal Year 2005	Total	14335	Mean	39.3	Max	725	Min	11	Acre-Ft	28430		

RUNOFF - DAILY DISCHARGE

Los Angeles County Dept of Public Works

USDAY V43 Output 01/17/2007

Summary Report

Site: F37B Compton Creek near Greenleaf Drive
 USGS #:
 Beginning Date: 10/01/2005
 Ending Date: 09/30/2006

Daily Mean Discharge in Cubic feet/second Water Year Oct 2005 to Sep 2006

Day	OCT	NOV	DEC	JAN	FEB	MAR	APR	MAY	JUN	JUL	AUG	SEP
1	2.3	1.0	1.3	44	1.8	1.9	51	.91	.70	1.1	.57	.95
2	2.3	.90	1.5	344	1.8	1.3	1.7	.65	.72	1.3	.92	.54
3	2.1	.90	4.1	3.2	1.9	.68	1.2	.71	.96	1.5	.74	.73
4	.61	1.0	.73	2.7	1.8	2.4	180	1.9	1.7	1.4	.73	.73
5	.71	1.1	.92	1.2	1.9	1.1	124	2.0	1.4	1.3	.64	.98
6	1.1	.95	2.2	.93	1.9	17	1.6	1.5	1.2	.91	.61	.85
7	1.1	1.0	5.8	.93	1.9	12	.91	1.7	1.5	.91	.64	.94
8	2.4	.90	7.2	1.2	1.9	.96	.87	1.6	1.6	1.1	.73	.31
9	2.4	.18	10	1.1	2.3	.90	.81	.81	1.9	1.7	.76	.58
10	2.5	9.3	1.1	.96	2.0	2.2	.82	.86	1.8	.95	.91	.40
11	.76	1.5	1.4	.97	2.1	9.0	1.6	.73	1.7	1.1	1.2	.41
12	.84	.97	1.6	.98	1.9	1.4	.72	.75	1.7	1.4	1.0	.55
13	1.2	.87	.82	1.1	2.0	.90	.55	.74	1.7	1.3	1.0	.41
14	2.6	.75	1.1	13	2.0	.77	77	.52	1.6	1.3	.72	.51
15	2.7	.90	1.6	1.8	1.9	1.2	4.3	.54	1.6	1.2	.83	.49
16	3.1	.98	2.8	.76	1.8	.81	.86	.53	1.6	1.1	.64	.52
17	170	.95	4.0	.74	8.0	1.2	.47	.64	2.1	.99	.94	.57
18	.46	.77	4.1	.84	.19	6.0	.60	.76	2.2	.98	.86	.55
19	2.9	.74	.33	.82	.33	3.9	.58	.77	1.9	.90	.58	.62
20	2.2	.69	2.0	.91	2.1	7.7	.39	.67	1.0	.60	.88	.76
21	2.1	.86	.52	.84	1.7	18	.79	1.3	.84	1.0	.69	.65
22	2.1	1.0	.45	.89	1.6	1.0	.68	.78	1.1	1.5	.70	.60
23	2.1	1.5	.96	1.0	1.7	.82	2.0	1.3	1.4	2.9	.54	1.0
24	2.0	.90	1.3	.97	1.9	.85	.58	.62	1.1	2.1	.53	1.4
25	.93	.90	1.1	1.7	2.2	2.2	.50	.58	1.1	1.9	.45	.72
26	.96	.80	1.6	1.4	1.7	1.2	.54	.79	1.0	1.5	.58	.64
27	.98	.83	1.6	1.2	199	.95	.86	.73	.88	1.6	.63	.47
28	.94	.94	1.5	1.2	240	306	.83	.70	1.0	1.8	.56	.43
29	.90	.76	1.1	1.8	-----	20	1.2	.60	1.4	1.1	.61	.39
30	.92	.96	.88	1.8	-----	1.8	.89	.96	1.4	1.6	.78	.34
31	.94	-----	165	1.7	-----	1.3	-----	.66	-----	1.1	.62	-----
Total	264.69	53.62	230.61	436.64	542.8	494.76	458.85	105.53	41.80	41.14	22.59	19.04
Mean	8.54	1.79	7.44	14.1	19.4	16.0	15.3	3.40	1.39	1.33	.73	.63
Max	170	18	165	344	240	306	180	78	2.2	2.9	1.2	1.4
Min	.61	.69	.33	.74	1.6	.77	.39	.52	.70	.60	.45	.31
Acre-Ft	525	106	457	866	1080	981	910	209	83	82	45	38
Wtr Year 2006	Total	2712.07	Mean	7.43	Max	344	Min	.31	Acre-Ft	5380		
Cal Year 2005	Total	6521.70	Mean	17.9	Max	1010	Min	0	Acre-Ft	12940		

RUNOFF - DAILY DISCHARGE

Los Angeles County Dept of Public Works

USDAY V43 Output 01/17/2007

Summary Report

Site: F354 Coyote Creek Below Spring Street
 USGS #:
 Beginning Date: 10/01/2005
 Ending Date: 09/30/2006

Daily Mean Discharge in Cubic feet/second Water Year Oct 2005 to Sep 2006

Day	OCT	NOV	DEC	JAN	FEB	MAR	APR	MAY	JUN	JUL	AUG	SEP
1	31	70	92	227	75	89	51	20	16	29	21	155
2	32	46	68	1020	74	38	1.0	17	17	12	14	27
3	38	58	145	83	79	521	.82	19	19	10	15	17
4	40	44	87	27	73	107	994	23	23	8.9	15	20
5	37	89	92	27	57	98	494	20	19	25	12	20
6	36	25	104	19	52	136	27	20	19	29	10	2.0
7	40	38	112	25	41	264	17	22	21	31	17	.18
8	44	34	119	31	17	96	20	24	22	31	29	.02
9	48	40	235	18	29	100	9.3	24	22	32	25	1.1
10	54	138	196	22	17	121	12	26	24	30	21	2.3
11	59	107	166	19	9.9	168	36	24	21	28	17	21
12	60	84	129	47	13	150	13	27	24	28	23	25
13	69	102	111	93	21	147	16	21	19	29	26	24
14	71	116	128	173	59	148	194	17	15	28	30	25
15	73	107	132	94	93	126	82	21	18	22	35	25
16	82	89	137	24	107	107	45	25	22	22	22	25
17	530	67	157	57	161	357	28	22	19	19	18	25
18	389	73	168	50	387	144	7.0	20	16	18	18	25
19	44	71	177	21	977	224	6.2	31	26	15	18	25
20	37	109	195	29	173	90	8.4	30	25	14	26	26
21	49	172	174	44	151	557	18	26	21	12	26	25
22	62	159	172	48	147	85	22	17	13	14	24	17
23	85	83	161	40	153	85	105	17	13	56	27	14
24	75	43	181	45	152	81	58	26	21	11	34	14
25	72	67	145	69	165	74	16	28	22	5.5	31	17
26	56	68	142	76	178	117	34	28	22	5.9	152	20
27	55	46	125	76	787	122	83	30	23	12	120	22
28	48	44	109	77	989	2240	72	31	25	23	61	23
29	51	87	113	84	-----	1260	89	20	14	40	109	29
30	65	93	52	100	-----	167	192	37	30	41	162	42
31	86	-----	809	90	-----	126	-----	37	-----	34	193	-----
Total	2518	2369	4933	2855	5236.9	8145	2750.72	750	611	715.3	1351	713.60
Mean	81.2	79.0	159	92.1	187	263	91.7	24.2	20.4	23.1	43.6	23.8
Max	530	172	809	1020	989	2240	994	37	30	56	193	155
Min	31	25	52	18	9.9	38	.82	17	13	5.5	10	.02
Acre-Ft	4990	4700	9780	5660	10390	16160	5460	1490	1210	1420	2680	1420
Wtr Year 2006	Total	32948.52	Mean	90.3	Max	2240	Min	.02	Acre-Ft	65350		
Cal Year 2005	Total	121212.7	Mean	332	Max	8730	Min	8.7	Acre-Ft	240400		

RUNOFF - DAILY DISCHARGE

Los Angeles County Dept of Public Works

USDAY V43 Output 01/17/2007

Summary Report

Site: F274B Dalton Wash at Merced Avenue
 USGS #:
 Beginning Date: 10/01/2005
 Ending Date: 09/30/2006

Daily Mean Discharge in Cubic feet/second Water Year Oct 2005 to Sep 2006

Day	OCT	NOV	DEC	JAN	FEB	MAR	APR	MAY	JUN	JUL	AUG	SEP
1	.17	.15	1.4	8.6	5.0	.18	68	.19	.31	.38	7.0	.25
2	.17	.19	6.5	175	2.7	2.5	7.0	.18	.29	.33	6.8	.24
3	.17	.16	2.9	3.4	1.8	112	6.5	.19	.30	5.5	5.6	.18
4	.18	.14	3.9	3.6	1.5	5.4	163	.19	.27	4.6	4.0	.36
5	.17	.14	2.6	3.5	2.1	4.1	185	.18	.43	4.2	4.6	.23
6	.16	.14	.73	4.4	1.4	27	31	.18	.59	4.0	3.9	.27
7	.16	.14	.43	4.2	2.4	84	43	.16	.38	4.0	4.4	.26
8	.16	.14	.50	4.1	.41	141	33	.18	.53	4.6	3.4	.30
9	.17	.73	1.0	4.0	74	134	34	.21	.58	5.4	4.3	.38
10	.18	.47	.45	2.1	75	140	21	.20	.51	4.7	3.7	.26
11	.16	.23	.42	.76	78	29	2.4	.19	.55	6.1	4.6	.18
12	.16	.20	.45	3.9	77	7.9	2.6	.22	.51	5.4	4.6	.19
13	.15	.19	.46	3.1	82	76	1.1	.18	.49	3.6	4.6	.30
14	.15	2.1	.38	3.8	88	131	315	.19	.53	4.5	19	.23
15	.15	2.4	.35	3.0	87	129	56	.21	.31	5.1	42	.20
16	23	.28	.35	2.1	85	135	34	.19	.32	5.9	43	.22
17	402	.34	.31	3.2	126	154	16	2.1	.30	5.0	20	.36
18	22	.28	.30	2.1	89	89	.21	4.9	.29	.54	.49	.25
19	4.8	.23	.29	2.8	104	147	.19	4.4	.27	3.3	.45	.22
20	5.8	.23	.23	2.5	2.9	255	.25	3.0	.27	4.7	.54	.37
21	4.2	.21	.24	2.5	4.3	22	.25	2.7	.28	4.7	.44	.25
22	3.2	.21	.17	2.0	3.0	.11	.51	42	.27	4.8	.40	.25
23	3.9	.24	.18	.19	47	1.0	2.2	4.9	.34	5.6	.48	.35
24	2.3	.23	.20	1.1	82	.37	.16	4.8	.35	6.6	.41	.51
25	.18	.25	.19	3.6	84	.47	.17	4.3	.48	7.4	.40	.35
26	.16	.26	.86	4.2	84	2.1	.16	4.1	.36	7.2	.42	.26
27	.15	.39	.17	4.1	186	4.1	.23	4.9	.62	6.7	.49	.36
28	.18	.42	.18	4.5	201	230	.18	3.1	.44	7.6	.36	.21
29	.19	.34	.88	4.9	-----	91	.17	2.8	.25	8.3	.41	.25
30	.20	.31	1.8	5.0	-----	8.3	.17	2.3	.27	9.9	.26	.27
31	.21	-----	113	5.3	-----	8.8	-----	.33	-----	8.7	.28	-----
Total	474.93	11.74	141.82	277.55	1717.1	2171.33	1023.45	93.67	11.69	159.35	191.33	8.31
Mean	15.3	.39	4.57	8.95	61.3	70.0	34.1	3.02	.39	5.14	6.17	.28
Max	402	2.4	113	175	201	255	315	42	.62	9.9	43	.51
Min	.15	.14	.17	.19	1.4	.11	.16	.16	.25	.33	.26	.18
Acre-Ft	942	23	281	551	3410	4310	2030	186	23	316	379	16
Wtr Year 2006	Total	6282.27	Mean	17.2	Max	402	Min	.11	Acre-Ft	12460		
Cal Year 2005	Total	19371.69	Mean	53.1	Max	3430	Min	.08	Acre-Ft	38420		

RUNOFF - DAILY DISCHARGE

Los Angeles County Dept of Public Works

USDAY V43 Output 01/17/2007

Summary Report

Site: F271 Eaton Wash Below Eaton Wash Dam
 USGS #:
 Beginning Date: 10/01/2005
 Ending Date: 09/30/2006

Daily Mean Discharge in Cubic feet/second Water Year Oct 2005 to Sep 2006

Day	OCT	NOV	DEC	JAN	FEB	MAR	APR	MAY	JUN	JUL	AUG	SEP
1	0	10	0	0	0	7.1	0	2.0	.12	0	0	0
2	0	.06	0	.27	0	19	0	1.7	.11	0	0	0
3	0	.09	0	.09	0	6.3	0	1.7	.10	0	0	0
4	0	.06	0	1.6	0	0	.04	1.6	.09	0	0	0
5	0	0	.05	0	0	0	.02	1.4	.09	0	0	0
6	0	0	0	0	0	0	11	1.2	.09	0	0	0
7	0	0	0	0	0	10	25	.98	.08	0	0	0
8	0	0	0	0	0	19	25	.82	.09	0	0	0
9	0	0	.01	12	0	17	25	.77	.08	0	0	0
10	0	0	0	20	0	5.4	24	.67	.07	0	0	0
11	0	0	0	18	0	0	29	.53	.05	0	0	0
12	0	0	0	17	0	0	30	.47	.04	0	0	0
13	0	0	0	9.8	0	0	30	.39	.02	0	0	0
14	0	.44	0	0	0	0	29	.39	.01	0	0	0
15	.01	0	0	0	0	0	29	.34	0	0	0	0
16	0	0	0	0	0	0	29	.36	0	0	0	0
17	16	0	0	0	.01	0	28	.33	0	0	0	0
18	1.5	.02	0	0	0	0	27	.25	0	0	0	0
19	1.5	0	0	0	0	0	25	.24	0	0	0	0
20	.43	0	0	0	0	.02	21	.21	0	0	0	0
21	0	.14	0	0	0	9.7	16	.22	0	0	0	0
22	0	0	0	0	0	19	4.4	3.0	0	0	0	0
23	0	0	0	0	0	16	4.2	4.1	0	0	0	0
24	.02	0	0	0	0	4.5	3.7	2.8	0	0	0	0
25	.04	0	0	0	0	0	3.5	.24	0	0	0	0
26	.03	0	0	0	0	0	3.7	.25	0	0	0	0
27	.05	0	0	0	.19	0	3.3	.22	0	0	0	0
28	.09	0	0	0	.16	.04	2.9	.18	0	0	0	0
29	.08	0	0	0	-----	0	2.7	.16	0	0	0	0
30	.02	0	0	0	-----	16	2.4	.14	0	0	0	0
31	8.1	-----	.04	0	-----	14	-----	.13	-----	0	0	-----
Total	27.87	10.81	0.10	78.76	0.36	163.06	433.86	27.79	1.04	0	0	0
Mean	.90	.36	.003	2.54	.013	5.26	14.5	.90	.035	0	0	0
Max	16	10	.05	20	.19	19	30	4.1	.12	0	0	0
Min	0	0	0	0	0	0	0	.13	0	0	0	0
Acre-Ft	55	21	.2	156	.7	323	861	55	2.1	0	0	0
Wtr Year 2006	Total	743.65	Mean	2.04	Max	30	Min	0	Acre-Ft	1480		
Cal Year 2005	Total	5280.51	Mean	14.5	Max	156	Min	0	Acre-Ft	10470		

RUNOFF - DAILY DISCHARGE

Los Angeles County Dept of Public Works

USDAY V43 Output 01/17/2007

Summary Report

Site: F318 Eaton Wash at Loftus Drive
 USGS #:
 Beginning Date: 10/01/2005
 Ending Date: 09/30/2006

Daily Mean Discharge in Cubic feet/second Water Year Oct 2005 to Sep 2006

Day	OCT	NOV	DEC	JAN	FEB	MAR	APR	MAY	JUN	JUL	AUG	SEP
1	.27	.12	.12	9.4	.32	.38	75	.31	.22	.29	.50	.29
2	.24	.12	.94	218	.44	.16	.30	.28	.23	.27	.48	.28
3	.32	.12	.16	1.2	.32	.80	.46	.46	.23	.29	.56	.27
4	.24	.12	.12	.33	.37	.35	251	.18	.21	.25	.51	.28
5	.29	.12	.12	.19	.33	.27	181	.22	.24	.26	.34	.28
6	.26	.12	.12	1.9	.44	.15	1.1	.19	.24	.25	.32	.31
7	.23	.12	.12	3.6	.28	2.8	.60	.36	.23	.27	.54	.26
8	.27	.12	.12	3.0	.26	.26	.41	.48	.25	.27	.27	.26
9	.25	.41	.60	.24	.27	.18	.41	.31	.25	.25	.27	.28
10	.27	3.1	.12	.17	.22	.19	1.1	.35	.26	.26	.27	.27
11	.32	.12	.12	.17	.26	9.3	.36	.29	.33	.34	.26	.26
12	.25	.12	.12	.20	.29	.21	.44	.26	.29	.25	.26	.28
13	.27	.12	.12	.25	.29	.23	.28	.22	.28	.25	.24	.30
14	.27	.12	.13	6.7	.27	.59	91	.24	.27	.25	.23	.28
15	.45	.12	.12	.19	.31	1.7	3.0	.20	.25	.27	.22	.24
16	.62	.12	.12	.19	.26	.78	.23	.22	.23	.24	.30	.27
17	258	.12	.12	.19	.21	50	.23	.25	.27	.42	.26	.25
18	4.1	.12	.12	.20	1.5	4.4	.23	.29	.23	.38	.26	.34
19	.13	.12	.12	.18	.18	.43	.27	.29	.22	.35	.26	.29
20	.12	.12	.12	.19	.31	.81	.30	.29	.25	.38	.27	.39
21	.12	.12	.12	.23	.31	8.4	.27	.29	1.2	.49	.27	.26
22	.12	.12	.12	.25	.22	.24	.50	.66	.47	.41	.27	.26
23	.12	.12	.12	.29	.20	.21	.78	.38	.25	.39	.29	.29
24	.20	.12	.12	.16	.21	.21	.51	.24	.24	.40	.27	.28
25	.21	.12	.12	.24	.24	.24	.26	.27	.24	.68	.25	.27
26	.12	.12	.22	.28	.23	.28	.26	.21	.52	.62	.26	.29
27	.14	.12	.12	.25	176	.23	.30	.35	1.0	.54	.27	.27
28	.12	.12	.12	.28	230	204	.25	.21	.27	.48	.26	.27
29	.12	.12	.12	.26	-----	17	.30	.23	.26	.40	.30	.25
30	.12	.12	.12	.27	-----	2.6	.26	.26	.30	.38	.28	.29
31	.12	-----	110	.21	-----	.85	-----	.28	-----	.38	.29	-----
Total	268.68	6.87	115.05	249.21	453.15	501.30	611.41	74.41	9.73	10.96	9.63	8.41
Mean	8.67	.23	3.71	8.04	16.2	16.2	20.4	2.40	.32	.35	.31	.28
Max	258	3.1	110	218	230	204	251	66	1.2	.68	.56	.39
Min	.12	.12	.12	.16	.20	.16	.23	.18	.21	.24	.22	.24
Acre-Ft	533	14	228	494	899	994	1210	148	19	22	19	17
Wtr Year 2006	Total	2318.81	Mean	6.35	Max	258	Min	.12	Acre-Ft	4600		
Cal Year 2005	Total	11757.43	Mean	32.2	Max	1420	Min	.02	Acre-Ft	23320		

RUNOFF - DAILY DISCHARGE

Los Angeles County Dept of Public Works

USDAY V43 Output 01/17/2007

Summary Report

Site: U7 Fish Creek
 USGS #:
 Beginning Date: 10/01/2005
 Ending Date: 09/30/2006

Daily Mean Discharge in Cubic feet/second Water Year Oct 2005 to Sep 2006

Day	OCT	NOV	DEC	JAN	FEB	MAR	APR	MAY	JUN	JUL	AUG	SEP
1	9.6	1.5	1.8	3.6	3.1	11	15	5.9	3.1	2.6	2.4	1.9
2	9.0	1.5	1.8	51	3.0	6.6	12	5.7	3.0	2.5	2.3	1.9
3	8.5	1.5	1.8	13	3.0	11	10	5.7	3.0	2.4	2.3	1.8
4	8.0	1.5	1.9	5.6	3.0	8.9	24	5.6	3.0	2.4	2.3	1.8
5	7.4	1.6	1.9	4.1	3.0	6.6	55	5.6	3.0	2.5	2.2	1.8
6	6.9	1.6	1.9	3.8	3.0	5.5	32	5.5	3.0	2.5	2.1	1.8
7	6.5	1.6	2.4	3.7	2.9	6.3	23	5.3	3.0	2.4	2.1	1.8
8	6.0	1.6	3.0	3.7	2.9	4.8	18	5.2	3.0	2.3	2.1	1.8
9	5.5	1.6	3.5	3.6	2.8	4.2	16	5.0	3.1	2.2	2.0	1.9
10	5.1	1.6	3.5	3.5	2.9	4.3	14	4.8	3.1	2.2	2.0	1.9
11	4.7	1.6	3.5	3.5	2.9	6.0	12	4.5	3.1	2.2	2.0	1.9
12	4.3	1.6	3.5	3.5	2.9	5.5	10	4.4	3.1	2.2	2.0	1.9
13	4.0	1.6	3.5	3.5	2.9	4.8	9.2	4.4	2.9	2.2	1.9	1.9
14	3.6	1.6	3.5	3.5	2.9	4.3	15	4.3	2.7	2.2	1.9	2.0
15	3.3	1.7	3.5	3.5	2.9	4.0	21	4.1	2.6	2.2	2.0	2.1
16	3.0	1.7	3.5	3.4	3.0	3.8	16	4.0	2.8	2.0	2.0	2.1
17	2.7	1.7	3.4	3.4	3.0	4.7	14	3.9	3.0	2.0	2.0	2.0
18	2.4	1.7	3.5	3.4	2.7	5.2	12	3.8	3.0	2.0	2.0	2.0
19	2.2	1.7	3.5	3.4	2.7	5.5	11	3.7	2.9	2.0	2.0	1.9
20	2.3	1.7	3.5	3.3	2.5	5.1	9.9	3.6	2.9	2.0	2.0	1.9
21	2.5	1.7	3.5	3.2	2.6	14	9.3	3.6	2.9	2.0	2.0	1.9
22	2.2	1.7	3.5	3.2	2.9	8.9	8.9	5.8	2.8	2.0	2.0	1.9
23	2.0	1.7	3.5	3.1	3.0	7.2	8.8	4.2	2.8	2.0	2.0	2.0
24	1.7	1.7	3.5	3.1	3.0	5.9	8.1	3.7	2.7	2.0	2.0	2.1
25	1.6	1.8	3.4	3.1	3.0	5.2	7.7	3.5	2.6	2.0	1.9	2.1
26	1.6	1.8	3.5	3.1	3.0	4.7	7.5	3.6	2.6	2.0	1.9	2.1
27	1.6	1.8	3.5	3.1	5.8	4.3	7.2	3.9	2.6	2.0	1.9	2.0
28	1.6	1.8	3.4	3.0	45	14	6.9	3.4	2.6	2.0	1.9	2.0
29	1.6	1.8	3.4	2.2	-----	20	6.6	3.3	2.6	2.0	1.8	2.0
30	1.5	1.8	3.4	2.8	-----	14	6.2	3.2	2.6	2.1	1.8	2.0
31	1.5	-----	5.0	3.3	-----	11	-----	3.1	-----	2.3	1.9	-----
Total	124.4	49.8	98.0	163.2	126.3	227.3	426.3	136.3	86.1	67.4	62.7	58.2
Mean	4.01	1.66	3.16	5.26	4.51	7.33	14.2	4.40	2.87	2.17	2.02	1.94
Max	9.6	1.8	5.0	51	45	20	55	5.9	3.1	2.6	2.4	2.1
Min	1.5	1.5	1.8	2.2	2.5	3.8	6.2	3.1	2.6	2.0	1.8	1.8
Acre-Ft	247	99	194	324	251	451	846	270	171	134	124	115
Wtr Year 2006	Total	1626.0	Mean	4.45	Max	55	Min	1.5	Acre-Ft	3230		
Cal Year 2005	Total	9156.3	Mean	25.1	Max	1240	Min	1.5	Acre-Ft	18160		

RUNOFF - DAILY DISCHARGE

Los Angeles County Dept of Public Works

USDAY V43 Output 01/17/2007

Summary Report

Site: F251 San Gabriel River - West Fork at Toe of COGSWELL Dam
 USGS #:
 Beginning Date: 10/01/2005
 Ending Date: 09/30/2006

Daily Mean Discharge in Cubic feet/second Water Year Oct 2005 to Sep 2006

Day	OCT	NOV	DEC	JAN	FEB	MAR	APR	MAY	JUN	JUL	AUG	SEP
1	19	15	14	7.5	11	13	16	29	26	24	21	19
2	19	15	13	14	9.7	13	17	29	26	24	21	19
3	19	15	13	15	9.0	13	17	29	26	23	21	19
4	18	15	12	14	8.2	13	19	29	26	23	21	18
5	18	15	12	13	7.5	13	21	29	26	23	21	18
6	18	15	11	12	8.1	13	21	29	26	23	21	18
7	18	15	11	11	11	13	22	29	26	23	21	18
8	18	15	10	11	11	14	23	29	26	23	21	18
9	18	15	9.8	10	11	13	23	29	26	23	21	18
10	18	15	9.4	9.7	11	13	24	29	26	23	21	18
11	17	15	8.9	9.5	11	14	24	29	26	23	20	18
12	17	15	7.8	9.5	11	14	24	29	26	23	20	17
13	17	15	8.4	9.5	11	14	24	28	26	22	20	17
14	17	15	8.4	9.5	11	14	25	28	26	22	20	17
15	17	15	8.3	9.3	11	14	26	28	26	22	20	17
16	16	15	8.3	8.4	11	14	26	28	26	22	20	17
17	16	15	8.3	8.4	11	14	26	28	26	22	20	17
18	16	15	8.3	8.4	11	14	27	28	26	22	20	17
19	16	15	8.2	8.4	11	14	27	28	25	22	20	16
20	16	15	8.0	8.4	11	14	28	28	25	22	20	16
21	16	15	7.9	8.4	11	14	28	28	25	22	20	16
22	16	14	7.9	8.4	11	14	29	28	24	22	20	16
23	16	14	7.8	8.3	11	14	29	28	24	22	20	16
24	16	14	7.7	8.3	11	14	29	27	24	21	20	16
25	16	14	7.6	8.3	11	14	29	27	24	21	20	16
26	16	14	7.6	8.3	11	14	29	27	24	21	19	16
27	16	14	7.6	8.3	12	14	29	27	24	21	19	15
28	16	14	7.5	8.7	15	15	29	27	24	21	19	15
29	16	14	7.5	9.6	-----	15	29	27	24	21	19	15
30	16	14	7.5	8.4	-----	15	29	27	24	21	19	15
31	15	-----	7.6	9.4	-----	15	-----	27	-----	21	19	-----
Total	523	441	282.3	300.9	300.5	429	749	872	759	688	624	508
Mean	16.9	14.7	9.11	9.71	10.7	13.8	25.0	28.1	25.3	22.2	20.1	16.9
Max	19	15	14	15	15	15	29	29	26	24	21	19
Min	15	14	7.5	7.5	7.5	13	16	27	24	21	19	15
Acre-Ft	1040	875	560	597	596	851	1490	1730	1510	1360	1240	1010
Wtr Year 2006	Total	6476.7	Mean	17.7	Max	29	Min	7.5	Acre-Ft	12850		
Cal Year 2005	Total	7571.3	Mean	20.7	Max	34	Min	7.5	Acre-Ft	15020		

RUNOFF - DAILY DISCHARGE

Los Angeles County Dept of Public Works

USDAY V43 Output 01/17/2007

Summary Report

Site: L1 Little Rock Creek Above Little Rock Dam
 USGS #:
 Beginning Date: 10/01/2005
 Ending Date: 09/30/2006

Daily Mean Discharge in Cubic feet/second Water Year Oct 2005 to Sep 2006

Day	OCT	NOV	DEC	JAN	FEB	MAR	APR	MAY	JUN	JUL	AUG	SEP
1					8.8	85	43	35	9.3	.78	.05	0
2					8.7	42	37	34	8.4	.67	.04	0
3					8.5	32	41	33	7.8	.60	.03	0
4					8.4	25	133	31	7.2	.55	.01	0
5					8.1	20	240	30	6.4	.52	0	0
6					7.7	17	131	29	6.1	.49	0	0
7					7.7	27	110	28	5.9	.46	0	0
8					7.4	24	92	26	5.5	.44	0	0
9					7.2	20	79	26	5.1	.41	0	0
10					7.1	18	68	25	4.8	.40	0	0
11					7.0	19	59	23	4.6	.38	0	0
12					6.9	17	51	22	4.3	.35	0	0
13					6.7	15	48	21	4.0	.33	0	0
14					6.7	16	55	20	4.1	.31	0	0
15					6.6	18	66	19	3.9	.30	0	0
16					6.6	19	60	17	3.7	.28	0	0
17					7.0	19	54	17	3.1	.26	0	0
18				11	8.2	19	48	16	2.7	.24	0	0
19				11	8.3	17	43	15	2.3	.22	0	0
20				11	8.2	16	40	14	2.1	.27	0	0
21				11	7.7	17	39	14	1.9	.23	0	0
22				11	7.7	15	38	16	1.7	.25	0	0
23				10	7.7	16	37	17	1.4	.23	0	0
24				10	7.9	17	35	15	1.2	.22	0	0
25				9.9	7.9	20	33	13	1.1	.24	0	0
26				9.8	8.0	22	33	13	1.0	.20	0	0
27				9.7	10	22	33	12	1.1	.18	0	0
28				9.6	330	77	32	12	1.2	.16	0	0
29				9.4	-----	192	34	12	1.1	.13	0	0
30				9.2	-----	106	35	11	.91	.10	0	0
31		-----		9.1	-----	81	-----	10	-----	.07	0	-----
Total				141.7	538.7	1070	1847	626	113.91	10.27	0.13	0
Mean				10.1	19.2	34.5	61.6	20.2	3.80	.33	.004	0
Max				11	330	192	240	35	9.3	.78	.05	0
Min				9.1	6.6	15	32	10	.91	.07	0	0
Acre-Ft				281	1070	2120	3660	1240	226	20	.3	0
Wtr Year 2006	Total	4347.71	Mean	17.0	Max	330	Min	0	Acre-Ft	8620		
Cal Year 2005	Total	28461.73	Mean	104	Max	2440	Min	.74	Acre-Ft	56450		

RUNOFF - DAILY DISCHARGE

Los Angeles County Dept of Public Works

USDAY V43 Output 01/17/2007

Summary Report

Site: F356 Live Oak Creek Below Live Oak Dam
 USGS #:
 Beginning Date: 10/01/2005
 Ending Date: 09/30/2006

Daily Mean Discharge in Cubic feet/second Water Year Oct 2005 to Sep 2006

Day	OCT	NOV	DEC	JAN	FEB	MAR	APR	MAY	JUN	JUL	AUG	SEP
1	.71	.97	.82	.26	.91	.74	.94	.52	1.0	.66	.80	.75
2	.69	.92	.83	.26	.85	.66	1.0	.52	.99	.65	.91	.76
3	.74	.98	.75	.26	.88	.77	1.0	.52	.97	.72	.91	.72
4	.76	1.1	.79	.26	.78	.91	1.1	.52	.86	.70	.99	.55
5	.76	.98	.78	.26	.78	.91	1.1	.52	.89	.74	1.0	.41
6	.70	.91	.85	.20	.78	.91	5.7	.52	.75	.67	1.0	.45
7	.43	.91	.92	.13	.78	.91	10	.55	.73	.78	.96	.50
8	.75	.91	.91	.13	.86	.91	10	.62	1.3	.77	.91	.52
9	.62	1.0	.91	.13	.85	.91	9.7	.64	1.0	.78	1.0	.52
10	.74	.93	.94	.13	.82	.92	9.5	.65	1.0	.78	1.0	.52
11	.66	.83	.90	.13	.78	.95	9.1	.65	1.0	.77	1.0	
12	.76	.78	.90	.05	.78	.93	8.7	.65	1.0	.76	1.0	
13	.68	.80	.91	2.2	.78	1.0	3.2	.65	1.0	.66	.86	
14	5.3	.83	.82	.26	.80	.93	.52	.65	1.0	.76	.78	
15	9.1	.75	.90	.27	.72	.91	.52	.65	1.0	.78	.78	
16	.15	.80	.91	.26	.74	.85	.52	.65	1.0	.78	.79	
17	5.7	.78	.92	.27	.62	.86	.52	.67	1.0	.77	.84	
18	1.1	.94	.84	.26	.78	.93	.52	.65	1.0	.77	.78	
19	.95	.80	.74	.37	.72	.91	.52	.67	.98	.78	.78	
20	.99	.73	.76	.37	.70	.91	.52	.65	.88	.78	.78	
21	.64	.69	.79	.21	.79	.81	.52	.72	.82	.82	.73	
22	.94	.84	.79	.26	.78	.78	.46	.65	.79	.78	.65	
23	.99	.85	.73	.43	.78	.78	.48	6.8	.78	.78	.65	
24	.64	.78	.70	.48	.77	.74	.52	9.9	.78	.78	.65	
25	1.1	.93	.65	.43	.75	.65	.52	9.5	.78	.76	.70	
26	.71	1.0	.66	.46	.80	.65	.52	9.0	.78	.78	.75	
27	.75	.91	.65	.93	.73	.65	.52	8.5	.78	.78	.74	
28	.97	.84	.66	.83	.83	.70	.52	7.8	.78	.78	.78	
29	1.1	.85	.65	.89	-----	.68	.52	2.9	.78	.82	.78	
30	.94	.82	.50	.81	-----	.71	.52	1.1	.68	.84	.78	
31	1.0	-----	.27	.85	-----	.81	-----	1.0	-----	.79	.78	-----
Total	56.92	26.16	24.15	13.04	21.94	25.69	79.78	69.99	27.10	23.57	25.86	5.70
Mean	1.84	.87	.78	.42	.78	.83	2.66	2.26	.90	.76	.83	.57
Max	15	1.1	.94	2.2	.91	1.0	10	9.9	1.3	.84	1.0	.76
Min	.43	.69	.27	.05	.62	.65	.46	.52	.68	.65	.65	.41
Acre-Ft	113	52	48	26	44	51	158	139	54	47	51	11
Wtr Year 2006	Total	399.90	Mean	1.16	Max	15	Min	.05	Acre-Ft	793		
Cal Year 2005	Total	1552.98	Mean	4.25	Max	156	Min	0	Acre-Ft	3080		

RUNOFF - DAILY DISCHARGE

Los Angeles County Dept of Public Works

USDAY V43 Output 01/17/2007

Summary Report

Site: F300 Los Angeles River at Tujunga Avenue
 USGS #:
 Beginning Date: 10/01/2005
 Ending Date: 09/30/2006

Daily Mean Discharge in Cubic feet/second Water Year Oct 2005 to Sep 2006

Day	OCT	NOV	DEC	JAN	FEB	MAR	APR	MAY	JUN	JUL	AUG	SEP
1	65	74	95	314	121	452	1080	70	70	71	67	63
2	66	77	95	3540	119	162	186	70	69	70	67	63
3	67	76	104	452	116	1220	129	70	69	70	67	63
4	68	82	99	162	116	157	2710	69	69	70	66	63
5	59	88	89	131	117	114	1690	69	68	70	66	63
6	61	92	83	125	120	298	748	69	68	70	65	62
7	64	94	87	119	119	345	518	69	69	69	65	62
8	65	97	92	115	118	129	269	69	69	70	65	62
9	67	236	95	114	116	109	139	69	68	70	65	63
10	69	394	90	117	116	105	134	68	68	70	65	62
11	70	113	88	116	116	581	127	68	68	69	65	62
12	70	88	90	120	116	141	113	68	68	69	65	62
13	71	86	90	117	117	112	101	68	68	69	64	61
14	72	87	91	461	105	107	427	78	68	69	63	61
15	72	92	91	133	106	106	209	74	67	68	63	62
16	71	91	91	113	110	104	112	68	67	69	63	61
17	1480	92	91	115	115	103	99	68	67	69	63	60
18	820	88	90	111	145	111	92	69	67	70	63	60
19	88	87	88	123	188	111	84	69	67	69	63	60
20	83	87	88	123	136	339	80	68	67	68	63	60
21	77	87	90	126	123	529	80	69	67	67	63	60
22	74	90	92	123	120	119	80	1130	67	67	63	60
23	72	93	90	120	118	104	80	104	68	67	63	61
24	70	92	89	121	117	79	80	62	68	68	64	61
25	88	90	86	123	115	79	77	55	68	68	63	62
26	76	86	97	126	117	84	75	51	69	68	63	62
27	76	85	94	128	2210	89	74	49	70	68	63	62
28	77	85	89	123	2560	2690	73	47	71	68	63	62
29	76	90	88	122	-----	936	73	45	71	67	63	61
30	75	94	85	124	-----	192	73	63	71	67	63	61
31	73	-----	234	126	-----	120	-----	70	-----	67	63	-----
Total	4382	3113	2961	8083	7912	9927	9812	3135	2051	2131	1987	1847
Mean	141	104	95.5	261	283	320	327	101	68.4	68.7	64.1	61.6
Max	1480	394	234	3540	2560	2690	2710	1130	71	71	67	63
Min	59	74	83	111	105	79	73	45	67	67	63	60
Acre-Ft	8690	6170	5870	16030	15690	19690	19460	6220	4070	4230	3940	3660
Wtr Year 2006	Total	57341	Mean	157	Max	3540	Min	45	Acre-Ft	113700		
Cal Year 2005	Total	186223	Mean	510	Max	15800	Min	38	Acre-Ft	369400		

RUNOFF - DAILY DISCHARGE

Los Angeles County Dept of Public Works

USDAY V43 Output 01/17/2007

Summary Report

Site: F319 Los Angeles River Below Wardlow Road
 USGS #:
 Beginning Date: 10/01/2005
 Ending Date: 09/30/2006

Daily Mean Discharge in Cubic feet/second Water Year Oct 2005 to Sep 2006

Day	OCT	NOV	DEC	JAN	FEB	MAR	APR	MAY	JUN	JUL	AUG	SEP
1	135	113	128	924	179	253	1410	158	165	131	122	117
2	144	119	127	7860	180	206	223	155	163	132	121	118
3	144	110	160	548	177	1960	203	151	164	131	120	119
4	144	122	126	332	176	243	5180	150	162	131	123	117
5	144	125	126	190	177	177	4010	149	159	131	121	117
6	144	126	123	181	176	221	721	149	158	131	121	117
7	144	124	121	184	175	508	411	151	150	131	121	117
8	144	127	125	180	175	162	309	154	145	131	120	117
9	144	280	137	182	181	152	213	155	142	131	120	117
10	144	285	129	185	174	155	217	153	144	130	120	118
11	144	141	125	185	178	408	237	147	139	128	119	118
12	144	126	124	184	174	201	187	151	138	128	119	118
13	144	123	127	180	172	170	170	148	140	128	119	118
14	144	122	127	400	171	178	887	146	137	128	120	117
15	144	123	128	214	168	183	417	150	139	128	119	118
16	144	121	125	165	168	175	174	140	137	132	119	118
17	204	124	126	168	171	215	172	147	138	132	119	117
18	1030	123	125	168	511	215	170	139	139	131	118	118
19	836	123	124	176	736	279	167	139	139	127	120	117
20	143	122	129	171	175	174	166	139	136	123	120	117
21	143	121	129	170	165	1260	170	140	133	120	121	117
22	142	123	124	173	162	185	171	2210	131	120	119	117
23	142	123	126	174	163	180	212	213	131	119	118	117
24	142	124	127	181	162	174	174	162	131	123	119	118
25	142	120	123	189	163	175	173	165	132	121	117	122
26	141	121	138	188	162	185	167	165	131	123	117	117
27	141	120	137	185	2530	187	166	170	132	121	117	117
28	141	119	124	179	6360	4970	161	167	132	120	117	117
29	141	122	126	178	-----	1830	165	166	132	122	117	117
30	140	123	125	177	-----	228	159	167	131	122	117	116
31	131	-----	2260	180	-----	195	-----	165	-----	121	117	-----
Total	6054	3995	6101	14751	14261	15804	17362	6861	4250	3927	3697	3525
Mean	195	133	197	476	509	510	579	221	142	127	119	118
Max	1030	285	2260	7860	6360	4970	5180	2210	165	132	123	122
Min	131	110	121	165	162	152	159	139	131	119	117	116
Acre-Ft	12010	7920	12100	29260	28290	31350	34440	13610	8430	7790	7330	6990
Wtr Year 2006	Total	100588	Mean	276	Max	7860	Min	110	Acre-Ft	199500		
Cal Year 2005	Total	427280	Mean	1171	Max	45500	Min	110	Acre-Ft	847500		

RUNOFF - DAILY DISCHARGE

Los Angeles County Dept of Public Works

USDAY V43 Output 01/17/2007

Summary Report

Site: F34D Los Angeles River Below Firestone Boulevard
 USGS #:
 Beginning Date: 10/01/2005
 Ending Date: 09/30/2006

Daily Mean Discharge in Cubic feet/second Water Year Oct 2005 to Sep 2006

Day	OCT	NOV	DEC	JAN	FEB	MAR	APR	MAY	JUN	JUL	AUG	SEP
1	133	130	133	2270	184	158	236	136	130	130	130	133
2	133	130	133	4250	184	143	140	133	130	130	132	133
3	133	130	133	1600	184	277	136	133	130	130	131	133
4	133	130	133	518	184	158	581	133	130	130	130	133
5	133	132	133	155	184	156	375	133	130	130	130	133
6	133	133	133	138	184	223	175	131	130	130	130	133
7	133	133	133	136	184	309	163	130	130	130	130	133
8	133	133	133	135	184	149	156	130	130	130	131	133
9	133	152	133	133	184	140	147	130	130	130	131	133
10	133	154	133	133	184	136	145	130	130	130	131	133
11	133	138	133	133	184	169	142	130	130	130	131	133
12	133	136	133	133	184	152	138	130	130	130	131	133
13	133	136	133	133	184	141	136	130	130	130	131	133
14	133	136	133	133	184	136	181	130	130	130	131	133
15	133	136	133	133	184	136	165	130	130	130	131	133
16	133	136	133	133	184	136	150	130	130	130	131	133
17	1490	136	133	133	204	144	141	130	130	130	131	133
18	1220	136	133	133	684	490	137	130	130	130	132	133
19	508	136	133	133	540	525	136	130	130	130	132	133
20	136	136	133	133	226	150	136	130	130	130	132	133
21	133	136	133	133	198	221	136	130	130	130	132	133
22	132	134	133	133	189	145	136	297	130	130	132	133
23	130	133	133	133	189	139	136	155	130	130	132	133
24	130	133	133	133	186	137	136	137	130	130	132	133
25	130	133	133	133	184	135	136	136	130	130	132	133
26	130	133	133	133	184	133	136	133	130	130	132	133
27	130	133	133	133	2300	1610	136	133	130	130	132	133
28	130	133	133	133	4920	4210	136	133	130	130	133	133
29	130	133	133	133	-----	2030	136	131	130	130	133	133
30	130	133	133	133	-----	716	136	130	130	130	133	133
31	130	-----	759	159	-----	248	-----	130	-----	130	133	-----
Total	6917	4053	4749	12287	12948	13752	5076	4264	3900	4030	4075	3990
Mean	223	135	153	396	462	444	169	138	130	130	131	133
Max	1490	154	759	4250	4920	4210	581	297	130	130	133	133
Min	130	130	133	133	184	133	136	130	130	130	130	133
Acre-Ft	13720	8040	9420	24370	25680	27280	10070	8460	7740	7990	8080	7910
Wtr Year 2006	Total	80041	Mean	219	Max	4920	Min	130	Acre-Ft	158800		
Cal Year 2005	Total	77436	Mean	212	Max	3080	Min	130	Acre-Ft	153600		

RUNOFF - DAILY DISCHARGE

Los Angeles County Dept of Public Works

USDAY V43 Output 01/17/2007

Summary Report

Site: F57C Los Angeles River Above Arroyo Seco
 USGS #:
 Beginning Date: 10/01/2005
 Ending Date: 09/30/2006

Daily Mean Discharge in Cubic feet/second Water Year Oct 2005 to Sep 2006

Day	OCT	NOV	DEC	JAN	FEB	MAR	APR	MAY	JUN	JUL	AUG	SEP
1	87	83	100	1000	168	178	1050	160	107	119	111	106
2	88	85	96	5820	168	150	142	151	110	116	109	110
3	85	94	121	490	173	1410	179	161	121	116	107	103
4	84	107	94	138	173	146	3560	154	125	118	105	105
5	81	121	90	121	183	121	1940	164	98	121	108	106
6	84	125	83	120	194	275	537	165	104	128	108	106
7	79	137	87	115	200	284	287	166	107	114	109	108
8	77	147	90	111	208	122	173	165	107	122	106	109
9	81	480	95	113	209	120	129	167	106	126	103	113
10	80	268	90	112	221	139	134	162	108	124	106	109
11	80	107	89	114	230	497	121	173	110	128	106	109
12	77	98	92	117	238	142	111	170	117	128	113	106
13	76	94	95	119	248	131	108	173	119	127	107	102
14	74	93	99	358	254	123	485	187	127	124	105	106
15	77	92	102	119	266	127	171	183	135	120	105	109
16	76	89	105	116	266	123	112	198	138	137	101	102
17	2380	93	104	117	519	173	111	190	144	130	103	103
18	734	94	103	122	382	209	109	193	145	125	102	104
19	71	95	108	135	725	148	106	185	136	128	105	106
20	66	96	108	130	174	419	112	186	130	118	106	103
21	66	98	108	131	171	569	121	197	123	121	105	106
22	66	101	109	130	167	132	131	1690	111	119	104	108
23	66	102	109	131	161	132	133	117	105	116	98	113
24	66	103	109	132	173	121	134	102	108	119	106	115
25	84	99	104	136	182	134	140	102	103	116	99	107
26	70	99	188	141	186	136	144	102	103	125	100	107
27	68	98	109	145	2960	142	139	104	103	123	100	106
28	72	98	109	142	3090	3640	145	99	99	123	99	107
29	73	98	109	144	-----	983	150	101	125	120	100	104
30	74	100	107	153	-----	157	154	103	129	117	102	104
31	76	-----	1200	158	-----	134	-----	105	-----	112	104	-----
Total	5318	3594	4312	11130	12289	11317	11068	6275	3503	3780	3242	3202
Mean	172	120	139	359	439	365	369	202	117	122	105	107
Max	2380	480	1200	5820	3090	3640	3560	1690	145	137	113	115
Min	66	83	83	111	161	120	106	99	98	112	98	102
Acre-Ft	10550	7130	8550	22080	24370	22450	21950	12450	6950	7500	6430	6350
Wtr Year 2006	Total	79030	Mean	217	Max	5820	Min	66	Acre-Ft	156800		
Cal Year 2005	Total	220416	Mean	604	Max	17500	Min	66	Acre-Ft	437200		

RUNOFF - DAILY DISCHARGE

Los Angeles County Dept of Public Works

USDAY V43 Output 01/17/2007

Summary Report

Site: F130 Malibu Creek Below Cold Creek
 USGS #:
 Beginning Date: 10/01/2005
 Ending Date: 09/30/2006

Daily Mean Discharge in Cubic feet/second Water Year Oct 2005 to Sep 2006

Day	OCT	NOV	DEC	JAN	FEB	MAR	APR	MAY	JUN	JUL	AUG	SEP
1	3.5	6.4	8.4	51	31	100	139	48	17	9.9	6.0	5.1
2	3.5	6.3	8.6	845	26	65	78	47	17	9.2	5.9	5.1
3	3.5	6.1	9.0	61	26	103	70	46	16	9.2	5.9	5.1
4	3.4	6.1	10	36	35	65	563	46	16	9.1	6.3	4.8
5	3.2	6.1	11	18	25	46	486	45	15	8.9	6.3	4.8
6	3.1	6.1	10	11	25	43	178	42	15	8.9	6.1	4.7
7	3.1	6.3	9.5	7.4	28	52	114	39	16	8.6	6.0	4.8
8	3.1	6.3	9.6	5.5	29	38	94	36	16	8.4	5.8	5.0
9	3.2	7.7	9.4	4.6	25	40	81	33	16	8.0	5.7	5.3
10	3.2	18	9.0	3.7	27	35	74	31	16	7.7	5.5	5.3
11	3.2	23	9.2	32	24	62	88	30	15	7.4	5.5	5.3
12	3.3	21	9.4	51	33	49	74	29	15	7.2	5.6	5.3
13	3.3	19	8.9	49	28	36	65	28	15	7.1	5.5	5.1
14	3.3	16	9.1	51	33	42	102	28	14	6.9	5.3	5.2
15	3.3	13	9.4	52	24	36	96	27	14	7.1	5.3	5.3
16	3.5	11	9.4	51	20	37	67	27	14	6.9	5.3	5.3
17	4.9	12	9.2	51	21	46	61	27	13	6.8	5.5	5.0
18	18	11	9.0	49	39	42	59	26	13	6.8	5.6	4.8
19	25	9.7	9.6	44	66	44	52	24	13	6.8	5.6	4.8
20	22	9.3	9.3	27	37	41	42	24	13	6.8	5.3	4.8
21	15	9.4	9.7	36	29	72	41	22	13	6.8	5.3	4.8
22	12	8.7	9.5	29	26	45	43	255	13	6.8	5.3	4.9
23	9.3	8.5	9.8	29	26	36	45	76	13	6.7	5.3	5.1
24	8.0	8.6	9.5	29	23	32	44	38	13	6.6	5.3	5.0
25	7.1	8.3	9.5	27	22	37	46	29	12	5.9	5.3	4.8
26	6.5	8.4	9.9	28	31	30	48	28	12	5.6	5.3	4.8
27	6.1	8.3	10	28	204	39	47	23	12	5.6	5.4	4.8
28	5.8	7.9	11	30	674	379	47	21	12	5.6	5.2	4.8
29	5.5	8.1	11	32	-----	285	48	19	12	5.8	5.1	4.8
30	5.3	8.0	11	27	-----	96	48	18	11	5.8	5.1	4.8
31	5.7	-----	14	27	-----	72	-----	18	-----	5.9	5.1	-----
Total	208.9	304.6	301.9	1822.2	1637	2145	3040	1230	422	224.8	171.7	149.5
Mean	6.74	10.2	9.74	58.8	58.5	69.2	101	39.7	14.1	7.25	5.54	4.98
Max	25	23	14	845	674	379	563	255	17	9.9	6.3	5.3
Min	3.1	6.1	8.4	3.7	20	30	41	18	11	5.6	5.1	4.7
Acre-Ft	414	604	599	3610	3250	4250	6030	2440	837	446	341	297
Wtr Year 2006	Total	11657.6	Mean	31.9	Max	845	Min	3.1	Acre-Ft	23120		
Cal Year 2005	Total	47064.1	Mean	129	Max	7330	Min	3.1	Acre-Ft	93350		

RUNOFF - DAILY DISCHARGE

Los Angeles County Dept of Public Works

USDAY V43 Output 01/17/2007

Summary Report

Site: F395 Mescal Creek near Pinon Hills
 USGS #:
 Beginning Date: 10/01/2005
 Ending Date: 09/30/2006

Daily Mean Discharge in Cubic feet/second Water Year Oct 2005 to Sep 2006

Day	OCT	NOV	DEC	JAN	FEB	MAR	APR	MAY	JUN	JUL	AUG	SEP
1			.74	3.0	2.0	3.1	5.5	3.6	2.4	.15	.23	.11
2			.76	3.4	2.0	3.0	5.5	3.5	2.4	.11	.20	.11
3		.76	.76	2.6	2.0	2.9	5.8	3.5	2.3	.09	.15	.11
4		.76	.79	2.4	2.0	2.9	8.6	3.4	2.3	.07	.12	.11
5		.76	.82	2.4	2.0	2.9	11	3.4	2.2	.07	.11	.11
6		.76	.82	2.3	2.0	2.9	7.2	3.4	2.2	.07	.14	.11
7		.76	.80	2.2	2.0	2.9	6.0	3.3	2.2	.07	.11	.11
8		.76	.76	2.2	2.0	2.9	5.2	3.3	2.2	.07	.23	.11
9		.76	.76	2.1	2.0	2.9	4.5	3.2	2.2	.07	.32	.12
10		.76	.76	2.1	2.0	2.9	4.2	3.2	2.1	.07	.31	.12
11		.76	.76	2.0	2.0	2.9	4.2	3.2	1.9	.07	.31	.21
12		.76	.76	2.0	2.0	2.9	4.2	3.2	1.7	.07	.31	.20
13		.76	.76	2.0	2.0	2.9	4.2	3.1	1.6	.07	.30	.26
14		.76	.76	2.0	2.0	2.9	4.2	3.0	1.5	.07	.29	.26
15		.76	.73	2.0	2.0	2.9	4.2	3.0	1.5	.07	.29	.27
16		.76	.61	2.0	1.9	3.3	4.2	3.0	1.4	.07	.27	.33
17		.76	.64	2.0	1.8	4.0	4.2	2.9	1.4	.07	.28	.33
18		.76	.52	2.0	1.8	4.0	4.2	2.9	1.3	.07	.22	.30
19		.76	.44	2.0	1.8	3.9	4.2	2.8	1.3	.07	.15	.19
20		.76	.39	2.0	1.9	3.8	4.2	2.8	1.2	.07	.12	.21
21		.76	.35	2.0	1.9	3.9	4.1	2.8	1.2	.25	.11	.24
22		.76	.31	2.0	1.9	3.9	4.0	2.9	1.1	.11	.12	.22
23		.76	.29	2.0	1.9	3.9	4.0	2.8	1.1	.13	.11	.26
24		.76	.29	2.0	2.0	4.0	4.0	2.7	1.1	.11	.11	.27
25		.74	.29	2.0	2.0	4.0	4.0	2.7	.91	.11	.11	.27
26		.70	.29	2.0	2.0	4.0	4.0	2.6	.92	.11	.11	.15
27		.70	.29	2.0	2.1	4.1	3.9	2.6	.81	.11	.11	.17
28		.70	.29	2.0	2.1	5.8	3.8	2.6	.36	.11	.11	.15
29		.70	.32	2.0	-----	6.0	3.7	2.6	.14	.18	.11	.13
30		.70	.45	2.0	-----	3.3	3.7	2.5	.20	.33	.11	.11
31		-----	2.6	2.0	-----	3.8	-----	2.5	-----	.28	.11	-----
Total		20.96	19.91	66.7	55.1	109.5	144.7	93.0	45.14	3.37	5.68	5.65
Mean		.75	.64	2.15	1.97	3.53	4.82	3.00	1.50	.11	.18	.19
Max		.76	2.6	3.4	2.1	6.0	11	3.6	2.4	.33	.32	.33
Min		.70	.29	2.0	1.8	2.9	3.7	2.5	.14	.07	.11	.11
Acre-Ft		42	39	132	109	217	287	184	90	6.7	11	11
Wtr Year 2006	Total	569.71	Mean	1.72	Max	11	Min	.07	Acre-Ft	1130		
Cal Year 2005	Total	2995.59	Mean	9.02	Max	209	Min	.29	Acre-Ft	5940		

RUNOFF - DAILY DISCHARGE

Los Angeles County Dept of Public Works

USDAY V43 Output 01/17/2007

Summary Report

Site: F328 Mint Canyon Creek at Fitch
 USGS #:
 Beginning Date: 10/01/2005
 Ending Date: 09/30/2006

Daily Mean Discharge in Cubic feet/second Water Year Oct 2005 to Sep 2006

Day	OCT	NOV	DEC	JAN	FEB	MAR	APR	MAY	JUN	JUL	AUG	SEP
1			0	.01	0	0	0	0	0	0	0	0
2			0	13	0	0	0	0	0	0	0	0
3			0	0	0	.57	0	0	0	0	0	0
4			0	0	0	0	10	0	0	0	0	0
5			0	0	0	0	8.8	0	0	0	0	0
6			0	0	0	0	0	0	0	0	0	0
7			0	0	0	0	0	0	0	0	0	0
8			0	0	0	0	0	0	0	0	0	0
9			0	0	0	0	0	0	0	0	0	0
10			0	0	0	0	0	0	0	0	0	0
11			0	0	0	0	0	0	0	0	0	0
12			0	0	0	0	0	0	0	0	0	0
13			0	0	0	0	0	0	0	0	0	0
14			0	0	0	0	.68	0	0	0	0	0
15		0	0	0	0	0	0	0	0	0	0	0
16		0	0	0	0	0	0	0	0	0	0	0
17		0	0	0	0	0	0	0	0	0	0	0
18		0	0	0	0	0	0	0	0	0	0	0
19		0	0	0	0	0	0	0	0	0	0	0
20		0	0	0	0	.74	0	0	0	0	0	0
21		0	0	0	0	0	0	0	0	0	0	0
22		0	0	0	0	0	0	0	0	0	0	0
23		0	0	0	0	0	0	0	0	0	0	0
24		0	0	0	0	0	0	0	0	0	0	0
25		0	0	0	0	0	0	0	0	0	0	0
26		0	0	0	0	0	0	0	0	0	0	0
27		0	0	0	5.3	0	0	0	0	0	0	0
28		0	0	0	2.3	7.7	0	0	0	0	0	0
29		0	0	0	-----	0	0	0	0	0	0	0
30		0	0	0	-----	0	0	0	0	0	0	0
31		-----	0	0	-----	0	-----	0	-----	0	0	-----
Total		0	0	13.01	7.6	9.01	19.48	0	0	0	0	0
Mean		0	0	.42	.27	.29	.65	0	0	0	0	0
Max		0	0	13	5.3	7.7	10	0	0	0	0	0
Min		0	0	0	0	0	0	0	0	0	0	0
Acre-Ft		0	0	26	15	18	39	0	0	0	0	0
Wtr Year 2006	Total	49.10	Mean	.15	Max	13	Min	0	Acre-Ft	97		
Cal Year 2005	Total	907.09	Mean	2.83	Max	229	Min	0	Acre-Ft	1800		

RUNOFF - DAILY DISCHARGE

Los Angeles County Dept of Public Works

USDAY V43 Output 01/17/2007

Summary Report

Site: F181 Montebello Storm Drain Above Rio Hondo
 USGS #:
 Beginning Date: 10/01/2005
 Ending Date: 09/30/2006

Daily Mean Discharge in Cubic feet/second Water Year Oct 2005 to Sep 2006

Day	OCT	NOV	DEC	JAN	FEB	MAR	APR	MAY	JUN	JUL	AUG	SEP
1	.15	.15	.15	.37	1.0	.24	.59	.22	.18	.18	.18	.18
2	.15	.15	.16	4.5	3.9	.22	.23	.22	.18	.18	.18	.18
3	.15	.15	.21	.20	9.6	1.1	.22	.22	.18	.18	.18	.18
4	.15	.15	.18	.18	.19	.25	1.9	.22	.18	.18	.18	.18
5	.15	.15	.18	.18	30	.22	.92	.21	.18	.18	.18	.18
6	.15	.15	.18	.18	43	.32	.27	.18	.18	.18	.18	.18
7	.15	.15	.18	.18	23	.27	.25	.18	.18	.18	.18	.18
8	.15	.15	.18	.18	.18	.23	.22	.18	.18	.18	.18	.18
9	.15	.15	.18	.18	.18	.22	.22	.18	.18	.18	.18	.18
10	.15	.15	.18	.18	.18	.25	.22	.18	.18	.18	.18	.18
11	.20	.15	.18	.18	.18	.25	.22	.18	.18	.18	.18	.18
12	.22	.15	.18	.18	.18	.22	.22	.18	.18	.18	.18	.16
13	.18	.15	.18	.18	.18	.22	.22	.18	.18	.18	.18	.15
14	.18	.15	.16	.19	.18	.22	.60	.18	.18	.18	.18	.15
15	.15	.15	.15	.20	.18	.20	.27	.18	.18	.18	.18	.15
16	.15	.15	.15	.18	.18	.18	.24	.18	.18	.18	.18	.15
17	1.6	.15	.15	.18	.25	.30	.22	.18	.18	.18	.18	.15
18	.25	.15	.15	.18	.30	.30	.22	.18	.18	.18	.18	.15
19	.19	.15	.15	.18	.45	.24	.22	.18	.18	.18	.18	.15
20	.18	.15	.15	.18	.25	.56	.22	.18	.18	.18	.18	.15
21	.18	.15	.15	.18	.22	.25	.22	.18	.18	.18	.18	.15
22	.18	.15	.15	.18	.22	.22	.22	.61	.18	.18	.18	.15
23	.18	.15	.15	.18	.22	.22	.26	.24	.18	.18	.18	.15
24	.18	.15	.15	.18	.22	.22	.23	.22	.18	.18	.18	.15
25	.18	.15	.15	.18	.22	.22	.22	.22	.18	.18	.18	.15
26	.18	.15	.15	.18	.22	.20	.22	.22	.18	.18	.18	.15
27	.18	.15	.15	.18	1.7	.18	.22	.20	.18	.18	.18	.15
28	.16	.15	.15	.18	1.8	1.9	.22	.18	.18	.18	.18	.15
29	.15	.15	.15	.18	-----	.30	.22	.18	.18	.18	.18	.15
30	.15	.15	.15	.18	-----	.22	.22	.18	.18	.18	.18	.15
31	.15	-----	1.9	.18	-----	.23	-----	.18	-----	.18	.18	-----
Total	6.67	4.50	6.78	10.14	137.19	10.17	9.94	6.40	5.40	5.58	5.58	4.84
Mean	.22	.15	.22	.33	4.90	.33	.33	.21	.18	.18	.18	.16
Max	1.6	.15	1.9	4.5	43	1.9	1.9	.61	.18	.18	.18	.18
Min	.15	.15	.15	.18	.18	.18	.22	.18	.18	.18	.18	.15
Acre-Ft	13	8.9	13	20	272	20	20	13	11	11	11	9.6
Wtr Year 2006	Total	213.19	Mean	.58	Max	43	Min	.15	Acre-Ft	423		
Cal Year 2005	Total	335.91	Mean	.92	Max	82	Min	.10	Acre-Ft	666		

RUNOFF - DAILY DISCHARGE

Los Angeles County Dept of Public Works

USDAY V43 Output 01/17/2007

Summary Report

Site: F305 Pacoima Diversion at Branford Street
 USGS #:
 Beginning Date: 10/01/2005
 Ending Date: 09/30/2006

Daily Mean Discharge in Cubic feet/second Water Year Oct 2005 to Sep 2006

Day	OCT	NOV	DEC	JAN	FEB	MAR	APR	MAY	JUN	JUL	AUG	SEP
1	2.3	1.5	1.7	34	1.6	1.9	89	3.5	2.0	2.0	2.0	2.7
2	2.4	1.5	9.0	100	1.6	1.7	3.6	2.5	1.9	2.0	1.9	1.7
3	2.2	1.5	1.4	4.3	1.6	82	3.4	1.3	2.1	2.0	2.0	1.7
4	1.8	1.9	1.1	2.1	1.7	2.3	45	3.4	2.3	2.0	2.7	1.6
5	1.4	1.7	1.2	1.7	1.6	2.1	18	3.4	2.4	1.9	1.8	2.0
6	1.5	1.5	1.3	1.7	1.5	28	1.1	3.5	3.1	2.0	1.6	1.9
7	1.9	1.9	1.4	1.8	1.5	5.7	1.1	3.4	2.4	1.9	1.8	1.7
8	2.6	2.5	1.5	1.6	1.4	1.9	1.4	3.6	2.4	2.1	1.6	1.7
9	2.4	9.2	1.9	1.7	1.4	2.0	1.3	2.5	2.5	2.1	1.5	1.6
10	1.9	3.1	1.5	2.5	1.6	8.5	9.4	2.2	2.2	2.0	1.6	1.8
11	1.7	1.8	1.5	2.4	1.7	20	1.4	4.9	2.3	1.8	1.6	1.6
12	1.8	1.5	1.4	2.1	1.7	2.4	1.2	3.0	2.4	1.8	1.6	1.7
13	1.8	1.3	1.6	1.7	1.7	1.9	1.2	2.9	2.1	1.8	1.6	1.6
14	1.7	2.4	1.6	21	1.8	1.6	4.5	2.8	2.0	1.9	1.6	1.8
15	1.8	2.5	1.7	1.5	1.7	1.5	4.0	3.0	2.1	1.9	1.6	1.6
16	1.7	1.6	1.6	1.4	1.6	2.4	3.5	2.3	2.2	2.0	1.6	1.5
17	40	1.5	1.7	1.5	19	9.8	2.5	3.5	2.2	2.2	1.9	1.5
18	47	1.2	1.7	1.5	11	6.3	1.1	2.9	2.4	2.3	1.7	1.5
19	2.4	1.5	3.1	1.4	14	1.9	.90	2.8	2.5	2.3	1.5	1.6
20	1.6	1.4	1.8	1.4	1.6	14	2.7	2.8	2.3	2.2	1.7	1.5
21	1.7	1.4	1.6	1.4	1.4	3.8	3.1	6.4	2.3	2.4	1.7	1.7
22	1.7	1.5	1.7	1.4	1.6	3.1	3.0	17	2.2	2.2	1.6	1.6
23	1.6	1.6	1.7	1.8	1.5	2.0	3.0	2.6	2.1	2.2	1.7	1.6
24	2.4	1.6	1.6	1.3	1.7	1.8	2.2	2.3	2.3	2.3	1.6	1.6
25	10	1.7	1.7	1.5	1.8	1.9	1.2	2.3	2.3	1.9	1.6	1.6
26	1.6	1.6	15	1.5	1.7	1.9	3.5	2.3	2.4	1.9	1.6	1.7
27	1.6	1.4	1.6	1.5	73	1.9	3.6	2.2	2.5	1.8	1.6	1.7
28	1.6	1.5	1.8	1.5	14	38	3.6	2.1	2.2	2.1	1.6	1.8
29	1.6	1.5	1.8	1.6	-----	9.1	3.6	2.1	1.9	2.1	1.5	1.6
30	1.6	1.6	1.5	1.6	-----	2.9	3.5	1.9	2.1	2.1	1.7	1.9
31	1.4	-----	43	1.6	-----	3.1	-----	1.9	-----	2.0	1.7	-----
Total	148.7	58.4	112.7	204.0	168.0	267.4	226.60	103.3	68.1	63.2	52.8	51.1
Mean	4.80	1.95	3.64	6.58	6.00	8.63	7.55	3.33	2.27	2.04	1.70	1.70
Max	47	9.2	43	100	73	82	89	17	3.1	2.4	2.7	2.7
Min	1.4	1.2	1.1	1.3	1.4	1.5	.90	1.3	1.9	1.8	1.5	1.5
Acre-Ft	295	116	224	405	333	530	449	205	135	125	105	101
Wtr Year 2006	Total	1524.30	Mean	4.18	Max	100	Min	.90	Acre-Ft	3020		
Cal Year 2005	Total	19993.21	Mean	54.8	Max	3440	Min	.07	Acre-Ft	39660		

RUNOFF - DAILY DISCHARGE

Los Angeles County Dept of Public Works

USDAY V43 Output 01/17/2007

Summary Report

Site: F122 Pallet Creek at Big Rock Creek Near Valyermo
 USGS #:
 Beginning Date: 10/01/2005
 Ending Date: 09/30/2006

Daily Mean Discharge in Cubic feet/second Water Year Oct 2005 to Sep 2006

Day	OCT	NOV	DEC	JAN	FEB	MAR	APR	MAY	JUN	JUL	AUG	SEP
1		2.8	3.3	3.6	1.8	4.6	3.1	2.4	2.4	2.4	2.1	1.7
2		2.8	3.9	9.3	1.8	2.4	3.1	2.4	2.4	2.4	2.1	1.7
3		2.8	4.1	2.8	1.8	2.3	3.1	2.4	2.4	2.5	2.1	1.6
4		2.8	4.1	2.1	1.8	2.2	4.9	2.5	2.4	2.5	2.1	1.6
5		2.8	4.1	2.1	1.8	2.2	13	2.5	2.3	2.7	2.0	1.6
6		2.8	4.0	2.2	1.8	2.2	6.6	2.5	2.4	2.8	2.0	1.6
7		2.8	3.9	2.2	1.8	2.1	4.4	2.5	2.4	2.9	1.9	1.6
8		2.8	3.7	2.2	1.8	2.1	3.3	2.4	2.3	2.9	1.9	1.6
9		2.8	3.6	2.2	1.8	2.1	2.6	2.2	2.3	3.0	1.8	1.6
10		2.8	3.6	2.2	1.8	2.1	2.1	2.2	2.3	2.9	1.8	1.6
11		2.7	3.5	2.2	1.8	2.1	2.0	2.3	2.3	2.4	1.7	1.5
12		2.7	3.4	2.2	1.8	2.1	2.0	2.2	2.4	2.4	1.7	1.5
13		2.7	3.4	2.3	1.8	2.1	2.0	2.3	2.4	2.3	1.7	1.5
14		2.7	3.3	2.3	1.8	2.1	2.1	2.3	2.3	2.3	1.7	1.5
15		2.7	3.3	2.3	1.8	2.0	2.1	2.2	2.3	2.3	1.7	1.5
16		2.7	3.2	2.3	1.8	2.8	2.1	2.2	2.3	2.2	1.9	1.5
17		2.7	3.2	2.3	1.8	3.4	2.1	2.4	2.1	2.3	1.9	1.5
18		2.7	3.1	2.3	1.8	3.4	2.2	2.4	2.0	2.3	1.9	1.5
19		2.8	3.1	2.3	1.8	3.4	2.2	2.3	2.1	2.2	1.9	1.4
20		2.7	3.2	2.3	1.7	3.4	2.3	2.4	2.1	2.2	1.8	1.4
21		2.7	3.3	2.3	1.7	3.4	2.3	2.5	2.1	2.2	1.8	1.5
22		2.7	3.3	2.3	1.7	3.4	2.4	2.5	2.0	2.7	1.8	1.5
23		2.7	3.2	2.3	1.7	3.4	2.5	2.4	1.9	2.5	1.8	1.5
24		2.7	3.2	2.3	1.7	3.4	2.6	2.4	2.0	2.4	1.8	1.6
25		2.7	3.2	2.1	1.7	3.4	2.6	2.4	2.2	2.3	1.8	2.0
26	2.9	2.7	3.1	1.9	1.7	3.4	2.8	2.4	2.4	2.3	1.8	2.1
27	2.9	2.9	3.1	1.9	1.8	3.4	2.8	2.5	2.4	2.2	1.7	2.1
28	2.9	3.0	3.2	1.8	20	5.3	2.8	2.5	2.4	2.2	1.7	1.9
29	2.9	3.0	3.2	1.8	-----	4.9	2.8	2.5	2.4	2.2	1.7	1.9
30	2.8	3.0	3.3	1.8	-----	3.3	2.8	2.5	2.4	2.2	1.7	1.9
31	2.8	-----	3.4	1.8	-----	3.2	-----	2.4	-----	2.1	1.7	-----
Total	17.2	83.2	106.5	76.0	67.9	91.6	93.7	74.0	68.1	75.2	57.0	49.0
Mean	2.87	2.77	3.44	2.45	2.43	2.95	3.12	2.39	2.27	2.43	1.84	1.63
Max	2.9	3.0	4.1	9.3	20	5.3	13	2.5	2.4	3.0	2.1	2.1
Min	2.8	2.7	3.1	1.8	1.7	2.0	2.0	2.2	1.9	2.1	1.7	1.4
Acre-Ft	34	165	211	151	135	182	186	147	135	149	113	97
Wtr Year 2006	Total	859.4	Mean	2.53	Max	20	Min	1.4	Acre-Ft	1700		
Cal Year 2005	Total	4742.22	Mean	13.9	Max	300	Min	.50	Acre-Ft	9410		

RUNOFF - DAILY DISCHARGE

Los Angeles County Dept of Public Works

USDAY V43 Output 01/17/2007

Summary Report

Site: F192B Rio Hondo Below Lower Azusa Road
 USGS #:
 Beginning Date: 10/01/2005
 Ending Date: 09/30/2006

Daily Mean Discharge in Cubic feet/second Water Year Oct 2005 to Sep 2006

Day	OCT	NOV	DEC	JAN	FEB	MAR	APR	MAY	JUN	JUL	AUG	SEP
1	0	0	0	.94	0	.01	5.8	198	0	0	0	0
2	0	0	.22	.17	0	0	0	207	0	0	0	0
3	0	0	.07	.14	0	8.5	0	212	0	1.0	0	0
4	0	0	0	0	0	0	17	151	0	2.3	0	0
5	0	0	0	0	0	0	14	91	0	0	0	0
6	0	0	0	0	0	1.5	0	106	0	0	0	0
7	0	0	0	0	0	.81	0	109	0	0	.17	0
8	0	0	0	0	0	.69	0	123	0	0	.24	0
9	0	.08	.14	0	0	.32	0	168	0	0	.12	0
10	0	0	0	0	0	1.6	.03	76	0	0	0	0
11	0	0	0	0	0	.50	0	51	0	0	.02	0
12	0	0	0	0	0	0	0	147	0	0	0	0
13	0	0	0	0	0	.47	0	130	0	0	0	0
14	0	0	0	0	0	.19	9.3	111	0	0	0	0
15	0	0	0	0	0	0	.07	69	0	0	0	0
16	0	0	0	0	0	.26	0	41	0	0	0	0
17	32	0	0	0	2.0	.13	0	42	0	0	0	0
18	.71	0	0	0	.09	.15	0	16	0	0	0	0
19	0	0	.01	0	1.0	.03	0	0	0	0	0	0
20	0	0	.08	0	0	6.4	0	0	0	0	0	0
21	0	0	0	0	0	.41	0	0	0	0	0	0
22	0	0	0	0	0	.03	.03	4.5	0	0	0	0
23	0	0	0	0	0	0	.87	0	0	0	0	0
24	0	0	0	0	0	0	82	0	0	0	0	0
25	0	0	0	0	0	0	60	.06	0	.03	0	0
26	0	0	.04	0	0	.02	206	0	0	0	0	0
27	0	0	0	0	18	0	181	0	0	.04	0	0
28	0	0	0	0	16	16	188	0	0	.01	0	0
29	0	0	0	0	-----	1.2	192	0	0	.02	0	0
30	0	0	0	0	-----	0	193	0	0	0	0	0
31	0	-----	13	0	-----	.03	-----	0	-----	0	0	-----
Total	32.71	0.08	13.56	18.08	37.09	52.12	1149.10	2052.56	0	3.40	0.55	0
Mean	1.06	.003	.44	.58	1.32	1.68	38.3	66.2	0	.11	.018	0
Max	32	.08	13	17	18	16	206	212	0	2.3	.24	0
Min	0	0	0	0	0	0	0	0	0	0	0	0
Acre-Ft	65	.2	27	36	74	103	2280	4070	0	6.7	1.1	0
Wtr Year 2006	Total	3359.25	Mean	9.20	Max	212	Min	0	Acre-Ft	6660		
Cal Year 2005	Total	32038.95	Mean	87.8	Max	1310	Min	0	Acre-Ft	63550		

RUNOFF - DAILY DISCHARGE

Los Angeles County Dept of Public Works

USDAY V43 Output 01/17/2007

Summary Report

Site: F45B Rio Hondo Above Steward and Gray Road
 USGS #:
 Beginning Date: 10/01/2005
 Ending Date: 09/30/2006

Daily Mean Discharge in Cubic feet/second Water Year Oct 2005 to Sep 2006

Day	OCT	NOV	DEC	JAN	FEB	MAR	APR	MAY	JUN	JUL	AUG	SEP
1	.05	.11	.34	5.6	.25	.68	2.8	.93	.91	.93	.25	.25
2	.05	.20	.31	2140	.25	.42	.55	.93	.87	.93	.25	.25
3	.04	.18	.35	.09	.25	8.6	.36	.93	.84	.93	.25	.25
4	.05	.14	.61	.10	.25	.50	.38	.93	.81	.93	.25	.25
5	.04	.12	.75	.11	.33	.23	50	.93	.78	.93	.25	.25
6	.04	.12	1.0	.13	.36	1.3	.70	.93	.75	.93	.25	.25
7	.05	.12	.91	.15	.28	1.1	.69	.93	.72	.93	.25	.25
8	.05	.35	.84	.17	.25	.36	.61	.93	.69	.93	.25	.25
9	.05	.23	.24	.19	.25	.36	.51	.93	.67	.93	.25	.25
10	.05	.25	.57	.21	.25	.58	.51	.93	.64	.93	.25	.25
11	.05	.23	.74	.24	.25	1.0	2.2	.93	.61	.93	.25	.25
12	.05	.32	.68	.25	.25	.40	1.2	.93	.59	.55	.25	.25
13	.05	.63	.29	.34	.25	.36	1.2	.93	.56	.25	.25	.25
14	.05	5.3	.09	.99	.25	.36	3.6	.93	.54	.25	.25	.26
15	.05	.67	.07	.31	.25	.36	2.4	.93	.52	.25	.25	.25
16	.55	.38	.14	.25	.25	.36	1.2	.93	.50	.25	.25	.25
17	222	.17	.78	.25	.43	1.1	1.2	.93	.48	.25	.25	.25
18	.12	.11	1.8	.25	1.6	.81	1.2	.93	.46	.25	.25	.25
19	.33	.16	.46	.25	2.8	.80	1.2	.93	.44	.25	.25	.25
20	.56	.16	.25	.25	.39	1.8	1.2	.93	.42	.25	.25	.25
21	.60	.13	.21	.25	.36	1.8	1.2	.21	.40	.25	.25	.25
22	.41	.22	.27	.25	.37	.51	1.2	.67	.38	.25	.25	.25
23	.23	.20	1.5	.25	.36	.51	1.2	2.2	.36	.25	.25	.25
24	.20	.27	2.6	.25	.36	.51	1.2	.93	.35	.25	.25	.25
25	.26	.20	.39	.25	.36	.51	1.2	.93	.33	.25	.25	.25
26	.20	.23	.25	.25	.50	.51	.93	.93	.32	.25	.25	.25
27	.17	1.5	.25	.28	6.6	.51	.93	.93	.30	.25	.25	.25
28	.14	1.6	.21	.25	.71	.15	.93	.93	.29	.25	.25	.25
29	.14	.86	.16	.25	-----	3.0	.93	.93	.27	.27	.25	.25
30	.11	.51	.10	.25	-----	.54	.93	.93	.60	.25	.25	.25
31	.11	-----	688	.25	-----	.51	-----	.93	-----	.25	.25	-----
Total	238.73	15.67	705.16	2152.91	89.35	45.39	121.98	116.24	16.40	15.55	7.75	7.51
Mean	7.70	.52	22.7	69.4	3.19	1.46	4.07	3.75	.55	.50	.25	.25
Max	222	5.3	688	2140	71	15	50	67	.91	.93	.25	.26
Min	.04	.11	.07	.09	.25	.23	.36	.93	.27	.25	.25	.25
Acre-Ft	474	31	1400	4270	177	90	242	231	33	31	15	15
Wtr Year 2006	Total	3532.64	Mean	9.68	Max	2140	Min	.04	Acre-Ft	7010		
Cal Year 2005	Total	145379.18	Mean	398	Max	22400	Min	.03	Acre-Ft	288400		

RUNOFF - DAILY DISCHARGE

Los Angeles County Dept of Public Works

USDAY V43 Output 01/17/2007

Summary Report

Site: F313B Rio Hondo Bypass Channel Above Whittier Narrows
 USGS #:
 Beginning Date: 10/01/2005
 Ending Date: 09/30/2006

Daily Mean Discharge in Cubic feet/second Water Year Oct 2005 to Sep 2006

Day	OCT	NOV	DEC	JAN	FEB	MAR	APR	MAY	JUN	JUL	AUG	SEP
1	0	0	0	0	0	66	105	5.7	0	151	129	0
2	0	0	0	0	0	61	105	0	0	150	78	0
3	0	0	0	17	0	103	123	0	0	151	78	0
4	0	0	0	0	0	129	57	0	0	150	78	0
5	0	0	0	0	0	119	84	.15	0	151	77	0
6	0	0	0	0	0	116	166	12	0	152	77	0
7	0	0	0	0	45	134	198	31	0	149	122	0
8	0	0	0	0	77	173	183	33	0	145	185	0
9	0	0	0	0	141	182	146	32	0	143	181	0
10	0	0	0	0	162	180	11	30	0	148	177	0
11	0	0	0	0	158	92	35	28	0	147	181	0
12	0	0	0	0	156	96	99	26	39	149	178	0
13	0	0	0	0	155	117	102	26	54	79	178	0
14	0	0	0	0	141	196	67	28	114	0	99	0
15	0	0	0	0	152	191	59	84	155	0	5.1	0
16	0	0	0	0	151	191	12	155	159	0	.22	0
17	0	0	0	0	152	180	74	158	141	0	36	0
18	0	0	0	0	49	150	84	96	159	0	97	0
19	0	0	0	0	27	181	54	4.3	157	0	97	0
20	0	0	0	0	17	172	56	.30	167	.25	97	0
21	0	0	0	0	44	102	46	.30	171	69	147	0
22	0	0	0	0	67	95	52	110	139	98	168	0
23	0	0	0	0	123	68	83	20	151	98	165	0
24	0	0	0	0	142	11	56	0	152	97	166	0
25	0	0	0	0	138	13	49	0	151	108	166	0
26	0	0	0	0	140	11	45	0	138	132	167	0
27	0	0	0	0	112	11	22	0	137	171	161	0
28	0	0	0	0	8.7	115	12	0	132	172	169	0
29	0	0	0	0	-----	117	14	0	143	172	170	0
30	0	0	0	0	-----	142	15	0	153	169	75	0
31	0	-----	0	0	-----	136	-----	0	-----	173	.10	-----
Total	0	0	0	17	2357.7	3650	2214	879.75	2612	3324.25	3704.42	0
Mean	0	0	0	.55	84.2	118	73.8	28.4	87.1	107	119	0
Max	0	0	0	17	162	196	198	158	171	173	185	0
Min	0	0	0	0	0	11	11	0	0	0	.10	0
Acre-Ft	0	0	0	34	4680	7240	4390	1740	5180	6590	7350	0
Wtr Year 2006	Total	18759.12	Mean	51.4	Max	198	Min	0	Acre-Ft	37210		
Cal Year 2005	Total	1759.27	Mean	4.82	Max	160	Min	0	Acre-Ft	3490		

RUNOFF - DAILY DISCHARGE

Los Angeles County Dept of Public Works

USDAY V43 Output 01/17/2007

Summary Report

Site: F338 Rubio Diversion Channel Below Gooseberry Canyon Inlet
 USGS #:
 Beginning Date: 10/01/2005
 Ending Date: 09/30/2006

Daily Mean Discharge in Cubic feet/second Water Year Oct 2005 to Sep 2006

Day	OCT	NOV	DEC	JAN	FEB	MAR	APR	MAY	JUN	JUL	AUG	SEP
1	.23	1.0	.52	1.9	2.1	4.4	7.4	5.1	.37	.20	.20	.20
2	.22	1.0	.70	.25	1.0	3.4	2.8	5.1	.33	.20	.60	.20
3	.21	.98	1.1	4.6	1.2	6.1	3.2	5.1	.24	.20	.20	.20
4	1.5	.84	1.3	1.8	1.8	2.8	30	5.2	.39	.20	.21	.20
5	.20	.69	1.3	1.6	1.8	2.9	25	4.4	.30	.20	.31	.35
6	.20	.53	1.3	.90	2.4	5.6	11	4.4	1.0	.20	.76	.42
7	.20	.38	1.4	.80	1.3	3.6	9.2	4.3	.17	.20	.94	.40
8	.20	.26	1.5	.72	1.2	3.4	7.9	4.1	.61	.20	.29	.40
9	.20	.25	1.6	.60	1.1	1.8	7.4	3.7	.62	.23	.21	.40
10	.20	.30	1.6	.62	1.1	3.3	6.8	4.0	.53	.20	.22	.40
11	.20	.35	1.6	.72	1.0	5.8	4.1	5.9	.65	.20	.20	.40
12	.20	.41	1.6	1.0	1.1	3.5	3.6	10	.27	.27	.20	.40
13	.20	.46	1.8	.70	1.1	3.7	3.5	12	.40	.20	.20	.41
14	.20	.52	1.7	1.1	1.0	1.9	18	12	.54	.20	.22	.40
15	.21	.57	.85	.63	1.0	1.8	10	17	.40	.20	.55	.42
16	.20	.63	.80	.64	1.0	1.8	7.7	13	.40	.20	.62	.87
17	1.2	.68	.80	.46	3.2	2.5	7.3	10	.40	.20	.46	.40
18	1.2	.73	.77	.49	1.3	6.3	5.3	12	.40	.20	.20	.40
19	1.2	.79	.62	.40	2.3	4.0	5.1	11	.43	.20	.20	.40
20	1.2	.84	.60	.45	1.6	12	4.8	12	.40	.20	1.0	.40
21	1.2	.90	.70	1.0	2.0	7.6	4.7	11	.40	.20	.20	.40
22	1.2	.95	.71	1.2	1.5	4.3	4.5	17	.40	.23	.20	.40
23	1.2	.99	.60	2.0	1.4	2.1	4.4	3.0	.25	.64	.20	.40
24	1.2	1.0	.69	1.8	1.2	2.0	4.9	2.5	.43	.22	.20	.40
25	1.2	1.0	1.2	1.6	1.8	2.0	5.1	1.6	.40		.20	.40
26	1.2	.81	1.4	1.9	1.8	2.1	7.3	1.5	.37	.57	.20	.40
27	1.0	.80	1.5	2.9	16	3.2	7.8	1.8	.30	.38	.20	.40
28	1.0	.80	1.8	1.5	21	34	8.5	1.4	.40	.37	.20	.40
29	1.0	.80	1.5	1.6	-----	13	7.1	1.4	.69	.26	.20	.40
30	1.0	.69	1.0	1.7	-----	5.5	5.4	1.5	.20	.20	.20	.40
31	1.0	-----	8.0	2.0	-----	3.2	-----	1.5	-----	.20	.20	-----
Total	21.57	20.95	42.56	64.33	76.3	159.6	239.8	204.5	12.69	7.37	9.99	11.67
Mean	.70	.70	1.37	2.08	2.73	5.15	7.99	6.60	.42	.25	.32	.39
Max	1.5	1.0	8.0	25	21	34	30	17	1.0	.64	1.0	.87
Min	.20	.25	.52	.40	1.0	1.8	2.8	1.4	.17	.20	.20	.20
Acre-Ft	43	42	84	128	151	317	476	406	25	15	20	23
Wtr Year 2006	Total	871.33	Mean	2.39	Max	34	Min	.17	Acre-Ft	1730		
Cal Year 2005	Total	535.28	Mean	1.47	Max	68	Min	0	Acre-Ft	1060		

RUNOFF - DAILY DISCHARGE

Los Angeles County Dept of Public Works

USDAY V43 Output 01/17/2007

Summary Report

Site: F82C Rubio Wash at Glendon Way
 USGS #:
 Beginning Date: 10/01/2005
 Ending Date: 09/30/2006

Daily Mean Discharge in Cubic feet/second Water Year Oct 2005 to Sep 2006

Day	OCT	NOV	DEC	JAN	FEB	MAR	APR	MAY	JUN	JUL	AUG	SEP
1	.36	.25	.25	9.4	.32	.57	33	.41	.62	.58	.73	.65
2	.34	.25	.30	270	.34	.38	.54	.49	.60	.58	.75	.41
3	.40	.30	.80	.91	.28	.35	.61	.50	.61	.56	.75	.33
4	.45	.29	.31	.39	.42	.43	166	.41	.48	.43	.70	.37
5	.25	.30	.25	.20	.65	.31	83	.36	.71	.70	.65	.36
6	.25	.25	.25	.26	.34	6.6	.69	.46	.75	.63	.54	.38
7	.25	.32	.25	.19	.25	1.0	.59	.46	.75	.72	.55	.46
8	.36	.25	.25	.17	.25	.58	.21	.47	.75	.67	.60	.48
9	.35	.61	.67	.31	.25	.32	.31	.65	.75	.58	.75	.32
10	.36	1.3	.46	.23	.35	13	.49	.65	.61	.61	.73	.33
11	.39	.79	.25	.32	.37	6.7	.40	.55	.61	.71	.72	.59
12	.50	.30	.25	.32	.25	.27	.64	.67	.56	.70	.66	.49
13	.50	.25	.33	.45	.25	.35	.21	.60	.56	.70	.63	.56
14	.50	.25	.29	5.0	.30	.21	.57	.60	.73	.75	.71	.65
15	.50	.25	.37	.24	.40	.27	2.0	.67	.67	.68	.80	.64
16	.91	.25	.58	.20	.45	.26	.25	.61	.72	.52	.78	.60
17	180	.25	.50	.24	9.7	9.4	.32	.61	.64	.68	.66	.43
18	4.5	.25	.28	.45	1.7	2.1	.77	.58	.75	.72	.57	.44
19	.93	.25	.25	.47	9.0	.50	.43	.57	.84	.75	.62	.54
20	.53	.25	.51	.30	.50	.66	.63	.50	.69	.84	.65	.78
21	.47	.25	.40	.21	.46	5.4	.77	.37	.80	.75	.74	.75
22	.48	.25	.25	.27	.25	.24	.34	.57	.70	.68	.75	.66
23	.69	.25	.25	.25	.43	.34	.56	.58	.60	.68	.67	.56
24	.33	.25	.25	.19	.43	.14	.72	.51	.46	.77	.70	.66
25	.83	.31	.25	.35	.34	.18	.66	.37	.68	.75	.69	.63
26	.48	.29	.51	.38	.29	.25	.74	.39	.82	1.4	.56	.69
27	.43	.24	.48	.37	122	.25	1.1	.36	.89	3.0	.47	.73
28	.43	.06	.25	.39	144	162	1.1	.31	.75	.76	.67	.53
29	.34	.19	.25	.50	-----	6.9	.38	.31	.73	.75	.56	.54
30	.45	.25	.25	.54	-----	.29	.30	.52	.55	.75	.59	.62
31	.25	-----	.96	.29	-----	.71	-----	.50	-----	.75	.75	-----
Total	197.81	9.55	106.54	293.79	294.57	320.95	354.76	72.04	20.38	24.15	20.70	16.18
Mean	6.38	.32	3.44	9.48	10.5	10.4	11.8	2.32	.68	.78	.67	.54
Max	180	1.3	.96	270	144	162	166	.57	.89	3.0	.80	.78
Min	.25	.06	.25	.17	.25	.14	.21	.31	.46	.43	.47	.32
Acre-Ft	392	19	211	583	584	637	704	143	40	48	41	32
Wtr Year 2006	Total	1731.42	Mean	4.74	Max	270	Min	.06	Acre-Ft	3430		
Cal Year 2005	Total	2931.76	Mean	8.03	Max	466	Min	.06	Acre-Ft	5820		

RUNOFF - DAILY DISCHARGE

Los Angeles County Dept of Public Works

USDAY V43 Output 01/17/2007

Summary Report

Site: F303 San Dimas Creek Below San Dimas Dam
 USGS #:
 Beginning Date: 10/01/2005
 Ending Date: 09/30/2006

Daily Mean Discharge in Cubic feet/second Water Year Oct 2005 to Sep 2006

Day	OCT	NOV	DEC	JAN	FEB	MAR	APR	MAY	JUN	JUL	AUG	SEP
1	10	3.8	.32	3.8	3.3	2.3	2.2	16	8.3	7.7	6.3	7.1
2	10	3.8	.32	3.9	3.4	2.1	2.1	16	8.6	7.3	8.7	7.1
3	10	3.8	.35	3.8	3.3	2.4	21	13	8.6	7.2	8.7	7.1
4	10	3.8	.36	3.8	3.1	2.3	47	9.2	8.3	7.0	8.7	6.9
5	6.3	2.9	.36	3.7	3.1	2.1	62	9.2	8.2	6.8	8.2	6.9
6	1.6	2.5	.36	7.7	3.1	2.2	116	9.2	7.9	6.7	8.2	2.7
7	1.6	2.5	.36	10	3.1	2.3	113	9.2	7.7	6.7	8.4	1.1
8	1.5	2.5	4.4	10	3.1	2.1	109	9.2	7.7	6.7	8.3	1.1
9	1.5	2.5	4.4	10	3.1	1.8	70	9.2	7.7	6.7	8.2	1.1
10	1.4	2.5	4.4	11	3.1	1.9	47	9.2	7.7	6.7	8.2	1.1
11	1.4	2.5	4.4	9.8	3.1	1.8	33	11	7.7	6.7	8.2	1.1
12	1.3	2.5	4.4	8.4	3.1	1.8	27	8.7	7.7	4.1	8.2	1.1
13	4.3	2.5	4.4	8.3	3.1	1.8	26	8.7	7.7	3.1	8.2	1.1
14	5.8	2.5	4.4	8.2	3.0	1.8	26	8.7	7.7	3.2	8.3	1.2
15	4.5	2.5	4.4	8.2	2.9	1.8	26	8.7	7.7	3.3	8.2	1.2
16	4.5	2.5	4.4	8.2	2.9	1.8	26	8.7	7.7	3.4	8.3	1.2
17	4.5	2.5	4.4	5.9	2.8	1.8	26	8.7	7.7	3.4	8.5	1.2
18	4.5	2.5	4.4	4.2	2.5	1.8	26	8.7	7.9	3.4	8.2	1.2
19	4.5	2.5	4.4	4.2	2.8	1.8	26	8.7	8.2	3.4	7.9	1.2
20	4.4	2.5	4.2	4.1	2.6	1.9	26	8.7	8.2	3.4	7.6	1.2
21	4.4	2.5	4.1	4.1	2.5	1.8	25	8.7	8.2	3.4	7.7	1.2
22	4.4	2.5	4.1	4.1	2.5	1.9	25	8.9	8.2	3.4	7.7	1.2
23	4.4	2.5	4.1	4.2	2.5	1.8	25	8.7	8.2	3.4	7.7	1.2
24	4.4	2.5	4.0	3.8	2.5	1.8	25	8.7	8.2	3.4	7.7	1.2
25	4.4	2.5	4.0	3.8	2.5	1.8	25	8.7	8.1	2.4	7.5	1.2
26	4.4	2.5	4.0	3.7	2.3	1.8	25	4.4	7.9	2.1	7.5	1.2
27	4.2	2.8	4.0	3.4	2.6	1.8	18	1.9	7.1	2.1	7.5	1.2
28	4.2	2.8	4.1	3.5	2.6	2.3	13	1.8	6.7	2.1	7.3	1.2
29	4.4	1.3	4.1	3.5	-----	2.0	16	1.9	6.8	2.1	7.3	1.2
30	4.4	.32	3.9	3.3	-----	2.1	16	2.1	7.3	1.9	7.2	1.3
31	3.8	-----	3.9	3.1	-----	2.1	-----	6.4	-----	1.8	7.1	-----
Total	141.0	77.82	103.73	177.7	80.5	60.8	1070.3	260.9	235.6	135.0	245.7	66.0
Mean	4.55	2.59	3.35	5.73	2.88	1.96	35.7	8.42	7.85	4.35	7.93	2.20
Max	10	3.8	4.4	11	3.4	2.4	116	16	8.6	7.7	8.7	7.1
Min	1.3	.32	.32	3.1	2.3	1.8	2.1	1.8	6.7	1.8	6.3	1.1
Acre-Ft	280	154	206	352	160	121	2120	517	467	268	487	131
Wtr Year 2006	Total	2655.05	Mean	7.27	Max	116	Min	.32	Acre-Ft	5270		
Cal Year 2005	Total	12272.41	Mean	33.7	Max	1110	Min	0	Acre-Ft	24340		

RUNOFF - DAILY DISCHARGE

Los Angeles County Dept of Public Works

USDAY V43 Output 01/17/2007

Summary Report

Site: F218 San Dimas Wash Below Puddingstone Diversion Dam
 USGS #:
 Beginning Date: 10/01/2005
 Ending Date: 09/30/2006

Daily Mean Discharge in Cubic feet/second Water Year Oct 2005 to Sep 2006

Day	OCT	NOV	DEC	JAN	FEB	MAR	APR	MAY	JUN	JUL	AUG	SEP
1	8.1	.90	.44	0	1.8	1.6	8.6	11	7.4	4.6	.44	4.7
2	8.1	.75	.37	0	1.9	5.8	4.4	11	10	4.6	.36	4.7
3	8.0	.99	.27	0	1.6	8.0	4.3	11	6.6	4.5	1.4	5.0
4	7.8	1.1	.16	4.2	1.7	6.8	11	11	6.0	4.5	4.2	5.1
5	6.4	.97	.07	9.6	1.7	4.5	14	10	5.8	4.5	4.5	5.0
6	1.3	.72	0	8.7	1.6	.95	21	8.0	5.2	4.6	4.7	3.0
7	.79	.98	0	8.4	1.5	.33	24	7.4	5.0	4.6	5.4	.86
8	.69	.99	.33	8.3	1.4	.33	24	7.8	5.1	4.5	5.3	.53
9	.61	.99	2.0	8.2	1.1	.33	23	7.8	5.6	4.5	4.7	.30
10	.42	.99	2.5	8.2	1.2	.32	23	7.7	5.6	4.6	4.4	.06
11	.26	.89	2.6	6.3	1.1	.27	34	8.8	5.2	4.6	4.7	0
12	.15	.63	2.7	5.1	1.1	.09	36	7.8	4.7	6.5	4.8	0
13	.20	.72	2.5	5.1	1.2	0	24	7.1	4.9	7.0	4.5	0
14	.03	.63	2.7	5.2	1.2	0	27	7.3	2.5	4.3	4.6	2.7
15	0	.96	2.5	5.4	6.1	0	36	7.5	.22	1.5	4.6	4.7
16	0	.99	2.6	5.4	5.7	0	30	7.6	3.6	1.3	5.1	.35
17	0	.99	2.9	5.4	1.6	0	24	7.5	5.0	1.5	4.7	.03
18	0	.83	2.9	5.2	1.7	0	24	7.7	4.9	1.7	4.2	0
19	5.2	.67	2.7	5.0	1.8	0	23	7.6	4.9	1.2	4.5	0
20	7.5	1.1	2.5	4.7	1.5	0	23	7.3	4.8	1.2	4.9	0
21	6.6	1.0	2.5	4.2	1.5	4.1	22	8.1	4.7	1.2	5.0	0
22	3.1	.96	2.5	2.1	.90	9.5	22	9.8	4.7	1.1	4.4	0
23	3.4	.76	2.5	1.3	.27	3.4	21	8.7	4.6	1.3	4.9	0
24	1.6	.71	2.4	2.0	.22	1.3	21	8.6	4.6	1.3	4.5	0
25	1.7	.59	2.2	2.0	.22	1.2	21	8.9	4.6	.96	4.8	0
26	1.1	.76	2.3	1.5	.22	1.0	21	5.6	4.6	.67	4.8	0
27	1.3	1.1	2.1	2.1	.26	.67	16	.22	4.6	.55	4.8	0
28	1.1	1.1	2.1	2.2	1.7	.08	9.7	.22	4.6	.44	4.9	0
29	1.1	1.0	1.5	2.1	-----	.02	10	.22	4.6	.44	5.0	0
30	1.0	.59	0	1.9	-----	4.1	10	.22	4.6	.44	5.0	0
31	.74	-----	0	1.9	-----	9.5	-----	.22	-----	.44	4.7	-----
Total	78.29	26.36	52.84	131.7	43.79	64.19	612.0	219.70	149.22	85.14	134.80	37.03
Mean	2.53	.88	1.70	4.25	1.56	2.07	20.4	7.09	4.97	2.75	4.35	1.23
Max	8.1	1.1	2.9	9.6	6.1	9.5	36	11	10	7.0	5.4	5.1
Min	0	.59	0	0	.22	0	4.3	.22	.22	.44	.36	0
Acre-Ft	155	52	105	261	87	127	1210	436	296	169	267	73
Wtr Year 2006	Total	1635.06	Mean	4.48	Max	36	Min	0	Acre-Ft	3240		
Cal Year 2005	Total	2548.83	Mean	6.98	Max	29	Min	0	Acre-Ft	5060		

RUNOFF - DAILY DISCHARGE

Los Angeles County Dept of Public Works

USDAY V43 Output 01/17/2007

Summary Report

Site: F190 San Gabriel River at Foothill Boulevard
 USGS #:
 Beginning Date: 10/01/2005
 Ending Date: 09/30/2006

Daily Mean Discharge in Cubic feet/second Water Year Oct 2005 to Sep 2006

Day	OCT	NOV	DEC	JAN	FEB	MAR	APR	MAY	JUN	JUL	AUG	SEP
1	432	227	187	9.1	156	84	199	568	295	14	43	32
2	437	228	34	74	162	218	182	599	203	14	42	31
3	274	226	22	20	167	236	100	606	113	39	41	31
4	45	250	17	48	170	223	46	610	107	54	41	31
5	35	252	83	132	173	222	157	611	100	54	41	31
6	30	251	184	124	170	231	184	612	101	54	41	55
7	27	248	185	125	173	243	356	611	102	54	34	74
8	26	188	195	123	171	276	345	613	68	54	29	79
9	26	49	197	125	169	273	342	599	12	55	17	80
10	25	37	178	135	170	158	339	430	7.7	58	2.1	56
11	24	32	170	154	171	55	336	409	6.4	53	2.1	33
12	83	30	167	168	171	49	335	426	5.4	41	2.1	32
13	191	29	149	103	142	105	335	328	4.3	41	2.1	31
14	189	93	127	10	15	208	363	327	1.2	41	2.1	30
15	188	209	116	9.2	34	242	357	326	0	40	2.1	29
16	199	219	115	8.5	50	302	344	321	0	40	2.1	29
17	164	227	118	46	52	284	341	268	0	39	2.1	29
18	35	237	131	136	51	183	389	288	0	41	2.1	25
19	22	241	139	136	53	296	407	359	0	38	2.1	10
20	17	241	142	136	51	305	419	358	0	38	2.1	0
21	37	243	140	136	108	320	423	355	0	37	2.1	0
22	88	244	136	139	228	333	422	363	4.0	37	2.1	0
23	94	245	136	90	215	322	424	354	6.3	36	2.1	0
24	86	246	135	9.6	217	237	431	351	6.0	35	2.1	0
25	41	249	135	8.6	219	224	503	349	6.4	35	2.1	0
26	39	250	136	59	221	223	574	254	7.6	35	2.1	0
27	90	249	136	138	146	161	553	182	9.4	35	2.1	0
28	220	256	139	140	135	36	555	177	11	35	2.1	0
29	227	261	100	141	-----	45	546	177	13	35	8.8	0
30	230	257	9.2	149	-----	93	544	267	14	35	32	0
31	230	-----	12	150	-----	189	-----	313	-----	41	33	-----
Total	3851	6014	3870.2	2982.0	3960	6376	10851	12411	1203.7	1258	442.7	748
Mean	124	200	125	96.2	141	206	362	400	40.1	40.6	14.3	24.9
Max	437	261	197	168	228	333	574	613	295	58	43	80
Min	17	29	9.2	8.5	15	36	46	177	0	14	2.1	0
Acre-Ft	7640	11930	7680	5910	7850	12650	21520	24620	2390	2500	878	1480
Wtr Year 2006	Total	53967.6	Mean	148	Max	613	Min	0	Acre-Ft	107000		
Cal Year 2005	Total	255827.2	Mean	701	Max	15300	Min	9.2	Acre-Ft	507400		

RUNOFF - DAILY DISCHARGE

Los Angeles County Dept of Public Works

USDAY V43 Output 01/17/2007

Summary Report

Site: F209 San Gabriel River - West Fork Below Cogswell Dam
 USGS #:
 Beginning Date: 10/01/2005
 Ending Date: 09/30/2006

Daily Mean Discharge in Cubic feet/second Water Year Oct 2005 to Sep 2006

Day	OCT	NOV	DEC	JAN	FEB	MAR	APR	MAY	JUN	JUL	AUG	SEP
1	23	14	13	13	14	16	21	32	33	30	28	24
2	23	14	13	19	14	16	21	32	33	30	28	24
3	38	14	13	13	14	17	21	32	33	30	28	24
4	45	14	12	14	14	16	23	32	33	30	28	24
5	44	14	13	16	14	17	27	32	33	30	28	24
6	43	14	13	16	14	17	27	32	33	30	28	
7	24	14	13	16	14	17	27	32	32	30	28	
8	16	14	13	16	14	17	27	32	32	30	28	
9	16	14	13	16	14	17	27	54	32	30	28	
10	16	14	13	15	14	17	27	69	32	30	28	
11	15	14	13	15	14	17	27	47	32	30	27	
12	15	14	13	15	14	17	27	36	32	30	27	
13	15	14	17	15	14	17	27	36	32	30	27	
14	15	14	18	15	14	17	28	36	32	30	26	
15	15	14	18	15	14	18	28	36	33	30	26	
16	15	14	17	15	14	18	28	36	33	29	26	
17	15	14	16	15	14	18	29	35	32	29	26	
18	15	14	16	15	14	18	30	35	32	29	26	
19	15	13	16	15	15	18	30	35	32	29	26	
20	15	13	15	15	15	18	30	35	32	29	26	
21	14	13	15	15	15	18	31	35	32	30	26	
22	14	13	14	15	14	18	31	35	32	30	26	
23	14	13	14	14	14	18	32	35	32	29	25	
24	14	13	14	14	14	18	32	34	32	29	25	
25	14	13	14	14	14	18	32	34	31	29	25	
26	14	13	14	14	14	18	32	34	31	29	25	
27	14	13	13	14	15	18	32	34	31	29	25	
28	14	13	13	14	18	19	32	34	31	29	25	
29	14	13	13	14	-----	19	32	33	30	29	25	
30	14	13	13	14	-----	19	32	33	30	29	24	
31	14	-----	13	14	-----	19	-----	33	-----	28	24	-----
Total	592	408	438	460	400	545	850	1120	960	915	818	120
Mean	19.1	13.6	14.1	14.8	14.3	17.6	28.3	36.1	32.0	29.5	26.4	24.0
Max	45	14	18	19	18	19	32	69	33	30	28	24
Min	14	13	12	13	14	16	21	32	30	28	24	24
Acre-Ft	1170	809	869	912	793	1080	1690	2220	1900	1810	1620	238
Wtr Year 2006	Total	7626	Mean	22.4	Max	69	Min	12	Acre-Ft	15130		
Cal Year 2005	Total	49415	Mean	135	Max	3220	Min	12	Acre-Ft	98010		

RUNOFF - DAILY DISCHARGE

Los Angeles County Dept of Public Works

USDAY V43 Output 01/17/2007

Summary Report

Site: F262C San Gabriel River Above Firestone Ave.
 USGS #:
 Beginning Date: 10/01/2005
 Ending Date: 09/30/2006

Daily Mean Discharge in Cubic feet/second Water Year Oct 2005 to Sep 2006

Day	OCT	NOV	DEC	JAN	FEB	MAR	APR	MAY	JUN	JUL	AUG	SEP
1	0	0	0	286	0	0	0	0	0	0	0	0
2	0	0	0	969	0	0	0	0	0	0	0	0
3	0	0	0	14	0	0	0	0	0	0	0	0
4	0	0	0	0	0	0	9.4	1.4	0	0	0	0
5	0	0	0	0	.42	0	303	.14	0	0	0	0
6	0	0	0	0	4.9	0	4.4	0	0	0	0	0
7	0	0	0	0	1.4	0	1.3	0	0	0	0	0
8	0	0	0	0	.10	0	1.3	0	0	0	0	0
9	0	0	0	0	.10	0	1.3	0	0	0	0	0
10	0	0	0	0	.10	0	1.3	0	0	0	0	0
11	0	0	0	0	.01	0	1.3	0	0	0	0	0
12	0	0	0	0	0	0	1.2	0	0	0	0	0
13	0	0	0	0	0	0	1.2	0	0	0	0	0
14	0	0	0	0	0	0	1.2	0	0	0	0	0
15	0	0	0	0	0	0	54	0	0	0	0	0
16	0	0	0	0	0	0	0	0	0	0	0	0
17	369	0	0	0	0	0	0	0	0	0	0	0
18	61	0	0	0	0	0	0	0	0	0	0	0
19	0	0	0	0	0	0	0	0	0	0	0	0
20	0	0	0	0	0	0	0	0	0	0	0	0
21	0	0	0	0	0	0	0	0	0	0	0	0
22	0	0	0	0	0	0	0	0	0	0	0	0
23	0	0	0	0	0	0	0	0	0	0	0	0
24	0	0	0	0	0	0	0	0	0	0	0	0
25	0	0	0	0	0	0	0	0	0	0	0	0
26	0	0	0	0	0	0	0	0	0	0	0	0
27	0	18	0	0	0	0	0	0	0	0	0	0
28	0	1.6	0	0	205	0	0	0	0	0	0	0
29	0	0	0	0	-----	65	0	0	0	0	0	0
30	0	0	0	0	-----	4.5	0	0	0	0	0	0
31	1.5	-----	227	0	-----	0	-----	0	-----	0	0	-----
Total	431.5	19.6	227	1269	212.03	69.5	380.9	1.54	0	0	0	0
Mean	13.9	.65	7.32	40.9	7.57	2.24	12.7	.050	0	0	0	0
Max	369	18	227	969	205	65	303	1.4	0	0	0	0
Min	0	0	0	0	0	0	0	0	0	0	0	0
Acre-Ft	856	39	450	2520	421	138	756	3.1	0	0	0	0
Wtr Year 2006	Total	2611.07	Mean	7.15	Max	969	Min	0	Acre-Ft	5180		
Cal Year 2005	Total	72183.75	Mean	198	Max	5940	Min	0	Acre-Ft	143200		

RUNOFF - DAILY DISCHARGE

Los Angeles County Dept of Public Works

USDAY V43 Output 01/17/2007

Summary Report

Site: F42B San Gabriel River Above Spring Street
 USGS #:
 Beginning Date: 10/01/2005
 Ending Date: 09/30/2006

Daily Mean Discharge in Cubic feet/second Water Year Oct 2005 to Sep 2006

Day	OCT	NOV	DEC	JAN	FEB	MAR	APR	MAY	JUN	JUL	AUG	SEP
1	123	113	116	169	177	116	153	128	82	71	108	117
2	111	131	107	1170	166	116	120	132	78	69	111	119
3	125	170	120	159	176	229	122	121	88	61	129	115
4	132	207	108	90	180	123	343	141	82	70	128	109
5	134	230	114	91	173	123	759	139	75	62	129	114
6	134	216	111	89	160	129	115	144	86	62	157	118
7	137	193	110	93	141	139	84	138	84	71	150	138
8	143	159	105	95	132	111	93	130	90	74	171	150
9	132	148	111	89	132	98	83	129	89	74	184	146
10	134	120	106	90	131	102	75	128	93	66	186	132
11	143	124	107	93	155	111	71	129	92	69	188	147
12	129	115	103	97	144	99	78	135	96	70	203	113
13	127	110	102	97	127	103	94	144	99	68	158	110
14	130	99	98	120	137	104	142	135	88	79	124	117
15	125	97	99	91	137	111	204	111	83	87	113	120
16	125	97	100	83	138	110	97	107	84	95	111	114
17	658	98	105	115	143	121	103	113	94	92	105	101
18	209	97	110	108	161	127	109	116	88	103	110	103
19	97	110	104	110	182	130	106	112	92	113	130	112
20	100	109	107	116	127	131	105	119	90	136	98	111
21	107	98	107	135	118	189	111	108	95	153	114	125
22	109	99	102	141	119	122	115	196	87	173	119	126
23	101	100	97	127	118	146	115	74	73	243	130	127
24	106	125	120	137	119	155	109	72	80	175	125	129
25	116	99	110	149	119	179	118	74	80	140	136	144
26	124	109	115	160	118	179	121	72	83	208	159	139
27	99	138	117	165	207	168	131	76	81	272	117	133
28	97	108	117	185	581	469	141	68	80	301	101	135
29	117	112	119	190	-----	406	140	69	68	224	89	137
30	113	115	124	161	-----	146	132	71	64	205	109	143
31	107	-----	626	171	-----	129	-----	81	-----	137	134	-----
Total	4344	3846	3897	4886	4518	4721	4289	3512	2544	3823	4126	3744
Mean	140	128	126	158	161	152	143	113	84.8	123	133	125
Max	658	230	626	1170	581	469	759	196	99	301	203	150
Min	97	97	97	83	118	98	71	68	64	61	89	101
Acre-Ft	8620	7630	7730	9690	8960	9360	8510	6970	5050	7580	8180	7430
Wtr Year 2006	Total	48250	Mean	132	Max	1170	Min	61	Acre-Ft	95700		
Cal Year 2005	Total	115413	Mean	316	Max	6230	Min	21	Acre-Ft	228900		

RUNOFF - DAILY DISCHARGE

Los Angeles County Dept of Public Works

USDAY V43 Output 01/17/2007

Summary Report

Site: U8 San Gabriel River Below Morris Dam
 USGS #:
 Beginning Date: 10/01/2005
 Ending Date: 09/30/2006

Daily Mean Discharge in Cubic feet/second Water Year Oct 2005 to Sep 2006

Day	OCT	NOV	DEC	JAN	FEB	MAR	APR	MAY	JUN	JUL	AUG	SEP
1	565	284	188	53	262	157	202	753	455	136	84	82
2	565	286	78	55	262	258	202	777	294	136	84	82
3	283	281	78	53	262	261	76	780	225	136	84	82
4	74	302	78	156	262	262	3.4	782	226	136	84	82
5	74	301	208	258	262	262	7.2	785	228	136	84	151
6	74	301	290	257	262	268	173	787	228	136	83	184
7	74	298	293	258	263	268	339	789	229	136	82	185
8	74	199	294	256	262	268	337	791	156	136	82	185
9	74	91	295	255	262	233	337	772	94	136	82	183
10	75	91	295	255	262	75	337	520	89	136	82	108
11	75	91	295	255	263	1.8	337	554	88	103	82	81
12	189	91	294	255	265	1.7	337	504	88	85	82	81
13	264	90	283	135	193	120	337	406	68	85	82	82
14	264	210	286	50	57	197	346	410	58	85	82	82
15	265	301	270	49	56	254	350	412	79	85	82	82
16	265	301	268	49	56	309	350	411	89	85	82	81
17	143	301	268	159	57	261	350	332	89	85	82	81
18	77	301	268	255	56	216	433	390	89	85	82	81
19	77	301	269	255	57	309	472	469	90	85	82	81
20	78	301	268	255	56	310	471	466	108	85	82	81
21	110	301	268	253	147	313	471	462	118	85	82	81
22	142	301	265	254	255	313	470	461	119	85	82	81
23	145	301	265	130	255	276	470	459	119	85	82	81
24	118	301	263	48	256	202	480	455	120	85	82	81
25	78	301	262	48	257	202	604	452	120	85	82	46
26	78	301	262	177	258	202	707	295	130	85	82	2.8
27	179	301	262	255	143	111	701	228	136	85	82	14
28	283	303	262	255	64	3.0	701	229	136	84	82	26
29	284	305	165	255	-----	3.1	701	231	136	85	82	26
30	286	295	53	258	-----	128	700	385	136	85	82	26
31	286	-----	54	262	-----	201	-----	455	-----	84	82	-----
Total	5618	7732	7247	5768	5372	6245.6	11801.6	16002	4340	3161	2553	2601.8
Mean	181	258	234	186	192	201	393	516	145	102	82.4	86.7
Max	565	305	295	262	265	313	707	791	455	136	84	185
Min	74	90	53	48	56	1.7	3.4	228	58	84	82	2.8
Acre-Ft	11140	15340	14370	11440	10660	12390	23410	31740	8610	6270	5060	5160
Wtr Year 2006	Total	78442.0	Mean	215	Max	791	Min	1.7	Acre-Ft	155600		
Cal Year 2005	Total	286708	Mean	786	Max	15900	Min	21	Acre-Ft	568700		

RUNOFF - DAILY DISCHARGE

Los Angeles County Dept of Public Works

USDAY V43 Output 01/17/2007

Summary Report

Site: F263C San Gabriel River Below San Gabriel River Parkway
 USGS #:
 Beginning Date: 10/01/2005
 Ending Date: 09/30/2006

Daily Mean Discharge in Cubic feet/second Water Year Oct 2005 to Sep 2006

Day	OCT	NOV	DEC	JAN	FEB	MAR	APR	MAY	JUN	JUL	AUG	SEP
1	12	52	141	96	133	17	208	45	77	4.4	28	30
2	12	59	49	1200	131	17	43	38	85	4.4	100	34
3	12	46	64	81	126	115	81	38	78	4.4	104	31
4	9.3	41	37	54	123	77	185	33	76	4.4	110	33
5	9.7	37	44	47	118	20	860	30	84	4.4	102	31
6	8.0	41	136	52	124	59	37	24	84	4.5	104	28
7	7.8	50	138	48	79	129	47	8.3	86	5.2	83	30
8	9.7	47	123	42	48	47	30	10	83	6.0	8.5	28
9	14	52	78	49	19	44	37	7.6	86	6.2	6.8	26
10	17	58	103	60	27	48	274	7.8	79	6.3	5.4	31
11	13	46	108	98	31	140	161	7.7	80	5.6	6.4	35
12	9.8	42	105	125	36	67	96	7.7	43	6.1	7.2	26
13	8.9	38	104	127	38	20	13	7.8	16	52	9.5	26
14	8.3	41	113	138	58	27	197	8.1	14	125	50	28
15	12	41	117	138	46	28	180	8.2	18	71	184	28
16	20	38	117	138	127	32	109	9.2	24	65	216	31
17	1280	38	111	119	112	56	92	11	20	59	183	28
18	474	34	105	132	35	77	57	58	26	57	77	31
19	156	29	109	128	319	77	13	128	21	56	71	26
20	56	34	111	132	17	134	13	130	13	42	72	25
21	33	46	109	132	17	323	13	130	5.6	31	28	26
22	34	88	115	131	17	9.8	12	178	5.0	14	5.4	27
23	32	87	98	132	17	20	11	60	4.2	21	4.7	29
24	33	88	86	144	17	106	9.8	92	3.9	21	4.8	26
25	30	80	75	171	17	102	8.2	91	3.9	46	4.8	30
26	25	89	83	173	17	95	8.0	93	4.2	45	4.5	26
27	45	83	79	166	17	103	14	90	4.3	4.7	4.2	35
28	48	85	80	133	17	325	35	88	4.7	4.1	3.9	43
29	41	123	76	127	-----	243	41	86	5.1	3.8	3.7	37
30	41	125	38	137	-----	25	51	94	4.6	3.8	22	43
31	49	-----	793	137	-----	46	-----	91	-----	3.7	31	-----
Total	2560.5	1758	3645	4587	1883	2628.8	2936.0	1710.4	1138.5	787.0	1644.8	908
Mean	82.6	58.6	118	148	67.3	84.8	97.9	55.2	38.0	25.4	53.1	30.3
Max	1280	125	793	1200	319	325	860	178	86	125	216	43
Min	7.8	29	37	42	17	9.8	8.0	7.6	3.9	3.7	3.7	25
Acre-Ft	5080	3490	7230	9100	3730	5210	5820	3390	2260	1560	3260	1800
Wtr Year 2006	Total	26187.0	Mean	71.7	Max	1280	Min	3.7	Acre-Ft	51940		
Cal Year 2005	Total	108262.9	Mean	297	Max	5800	Min	7.8	Acre-Ft	214700		

RUNOFF - DAILY DISCHARGE

Los Angeles County Dept of Public Works

USDAY V43 Output 01/17/2007

Summary Report

Site: F312B San Jose Channel Above Workman Mill Road
 USGS #:
 Beginning Date: 10/01/2005
 Ending Date: 09/30/2006

Daily Mean Discharge in Cubic feet/second Water Year Oct 2005 to Sep 2006

Day	OCT	NOV	DEC	JAN	FEB	MAR	APR	MAY	JUN	JUL	AUG	SEP
1	14	22	132	137	144	42	198	29	23	118	157	22
2	18	17	31	1260	148	37	42	30	18	117	163	24
3	17	19	56	66	149	330	43	26	19	112	164	21
4	14	20	48	41	160	39	1340	26	19	115	161	21
5	17	24	79	46	166	36	584	28	27	116	157	22
6	14	27	134	46	161	113	66	32	42	115	155	21
7	14	23	132	46	173	99	54	25	31	113	154	20
8	15	23	90	46	170	39	50	26	30	115	157	21
9	16	26	65	45	163	40	51	20	34	119	155	20
10	20	23	82	52	163	80	54	22	36	117	153	24
11	18	23	88	55	171	246	52	20	37	116	154	24
12	17	24	90	88	177	46	60	22	31	126	155	19
13	14	25	96	87	171	43	60	26	51	144	156	19
14	14	26	107	108	173	45	614	29	120	90	150	20
15	16	26	124	93	172	41	109	85	152	21	149	23
16	23	25	132	95	169	40	48	153	152	20	151	24
17	512	25	134	93	244	42	49	153	140	21	150	23
18	149	22	145	92	188	44	48	151	160	22	144	22
19	18	24	151	90	350	45	51	125	156	22	145	20
20	16	31	162	91	15	264	51	126	157	36	148	19
21	17	52	169	96	12	254	48	99	156	86	149	19
22	19	96	164	99	49	48	64	249	107	86	149	19
23	17	98	134	94	102	42	50	29	112	93	141	19
24	19	102	144	129	97	50	23	23	115	111	132	21
25	19	106	149	164	100	52	26	20	119	140	129	21
26	22	112	165	168	101	59	24	20	115	141	129	18
27	19	102	155	156	848	51	25	26	114	142	126	19
28	19	113	174	122	887	1480	26	21	112	144	134	23
29	20	131	185	128	-----	518	29	22	113	141	145	20
30	21	134	117	135	-----	46	28	25	115	145	99	24
31	20	-----	1010	143	-----	43	-----	28	-----	146	21	-----
Total	1168	1521	4644	4111	5623	4354	3967	1716	2613	3150	4432	632
Mean	37.7	50.7	150	133	201	140	132	55.4	87.1	102	143	21.1
Max	512	134	1010	1260	887	1480	1340	249	160	146	164	24
Min	14	17	31	41	12	36	23	20	18	20	21	18
Acre-Ft	2320	3020	9210	8150	11150	8640	7870	3400	5180	6250	8790	1250
Wtr Year 2006	Total	37931	Mean	104	Max	1480	Min	12	Acre-Ft	75240		
Cal Year 2005	Total	34736	Mean	95.2	Max	2390	Min	14	Acre-Ft	68900		

RUNOFF - DAILY DISCHARGE

Los Angeles County Dept of Public Works

USDAY V43 Output 01/17/2007

Summary Report

Site: F193B Santa Anita Wash at Longden Avenue
 USGS #:
 Beginning Date: 10/01/2005
 Ending Date: 09/30/2006

Daily Mean Discharge in Cubic feet/second Water Year Oct 2005 to Sep 2006

Day	OCT	NOV	DEC	JAN	FEB	MAR	APR	MAY	JUN	JUL	AUG	SEP
1	.44	1.0	.57	5.2	.86	120	23	.25	.25	.24	.75	.32
2	.56	.73	1.6	100	1.4	5.0	1.7	.27	.41	.27	.75	.50
3	.39	1.4	.41	51	.71	25	12	.51	.35	.27	.55	.31
4	.34	.79	.05	1.8	.64	1.9	82	.81	.39	.31	.35	.26
5	.69	.61	.90	.97	1.9	1.1	87	1.1	.43	.36	.49	.40
6	.32	1.3	.17	.89	.73	5.9	19	1.4	.42	.35	.22	.33
7	.79	.78	.16	.82	.37	4.1	23	1.5	.39	.19	.28	.36
8	.60	.71	.65	1.3	1.0	.67	24	.87	.48	.25	.21	.28
9	.40	.92	.61	.90	.47	.73	22	.49	.69	.14	.25	.35
10	.89	.42	.02	.62	.84	8.3	15	.44	.36	.25	.43	.29
11	.76	.22	.05	.75	.80	7.4	7.0	1.5	.43	.15	.33	.38
12	.74	.16	.35	.69	.78	2.9	14	3.0	.47	.37	.25	.47
13	.85	.50	.12	.65	1.0	1.0	7.0	3.2	.45	.29	.16	.42
14	.47	.87	.22	1.9	1.8	.87	27	3.1	.37	.28	.17	.55
15	3.6	.71	.20	.33	.89	.80	8.3	9.7	.54	.31	.17	.48
16	4.1	.81	.24	1.0	.28	.75	2.6	1.5	.45	.28	.15	.32
17	.51	.52	.34	1.2	9.0	12	2.0	.42	.68	.48	.37	.43
18	7.0	.51	.27	1.0	.30	7.0	1.6	.20	.44	.53	.18	.67
19	1.4	.92	.40	.33	.17	2.8	.96	.18	.51	.35	.31	.60
20	1.0	.90	.27	.36	1.6	20	.65	.18	.24	.34	.22	.70
21	1.0	.38	.64	.28	1.4	5.2	.62	.25	.46	.60	.25	.85
22	.89	.31	.35*	1.5	.87	.81	.57	.13	.64	.36	.28	.65
23	.82	.08	.36*	1.0	2.0	.71	.67	.39	.35	.28	.31	.51
24	.79	.06	0*	.72	.98	.74	.61	.13	.36	.53	.38	.40
25	.97	.07	0*	1.4	1.7	.75	.29	.21	.43	.82	.28	.82
26	.79	.09	0*	.67	4.0	.63	0	.39	.48	.75	.22	.67
27	.70	.02	.01*	.50	124	1.0	.06	1.0	.48	.75	.14	.51
28	.67	.92	.99	1.2	242	55	.20	.09	.46	.75	.17	.39
29	.76	.07	3.1	.71	-----	13	.15	.19	.28	.75	.49	.29
30	.75	.29	2.7	.68	-----	3.2	.19	.29	.29	.75	.45	.47
31	.75	-----	24	1.2	-----	1.3	-----	.59	-----	.75	.29	-----
Total	85.23	17.07	39.75	181.57	419.32	310.56	383.17	47.15	12.98	13.10	9.85	13.98
Mean	2.75	.57	1.28	5.86	15.0	10.0	12.8	1.52	.43	.42	.32	.47
Max	51	1.4	24	100	242	120	87	13	.69	.82	.75	.85
Min	.32	.02	0	.28	.28	.63	0	.09	.24	.14	.14	.26
Acre-Ft	169	34	79	360	832	616	760	94	26	26	20	28
Wtr Year 2006	Total	1533.73	Mean	4.20	Max	242	Min	0	Acre-Ft	3040		
Cal Year 2005	Total	14904.29	Mean	40.8	Max	1650	Min	0	Acre-Ft	29560		

RUNOFF - DAILY DISCHARGE

Los Angeles County Dept of Public Works

USDAY V43 Output 01/17/2007

Summary Report

Site: F260C Santa Anita Wash Below Foothill Boulevard
 USGS #:
 Beginning Date: 10/01/2005
 Ending Date: 09/30/2006

Daily Mean Discharge in Cubic feet/second Water Year Oct 2005 to Sep 2006

Day	OCT	NOV	DEC	JAN	FEB	MAR	APR	MAY	JUN	JUL	AUG	SEP
1	.23	.62	.61	1.0	.48	13	4.7	.48	.46	.46	.46	.46
2	0	.46	.69	30	.73	1.2	.72	.50	.53	.46	.46	.46
3	0	.87	.46	12	.46	5.1	5.4	.79	.46	.46	.46	.46
4	0	.46	.46	1.7	.46	.70	26	.56	.46	.46	.46	.46
5	.03	.46	.85	1.6	1.0	.47	30	.46	.46	.46	.46	.46
6	.05	.87	.46	1.4	.46	1.3	14	.46	.46	.46	.46	.46
7	.12	.46	.49	1.3	.46	1.0	18	.46	.46	.46	.46	.46
8	.06	.46	.56	1.3	.63	.46	19	.46	.46	.46	.46	.46
9	0	.47	.53	1.1	.46	.50	17	.46	.46	.46	.46	.46
10	.04	.47	.46	.68	.58	2.3	9.6	.46	.46	.46	.46	.46
11	.02	.46	.46	.46	.46	1.2	2.6	1.0	.46	.46	.46	.46
12	0	.46	.49	.46	.64	.49	5.1	1.9	.48	.46	.46	.46
13	.05	.46	.46	.46	.54	.46	3.6	2.0	.46	.46	.46	.46
14	0	.46	.47	.71	1.0	.47	8.8	1.9	.46	.46	.46	.46
15	.80	.49	.46	.46	.49	.46	4.0	3.1	.46	.46	.46	.46
16	.24	.47	.46	.52	.46	.47	1.8	.90	.46	.46	.46	.46
17	9.3	.46	.46	.53	1.6	1.4	1.2	.50	.46	.46	.47	.46
18	1.1	.64	.46	.54	.54	1.4	.79	.46	.46	.46	.46	.46
19	0	.73	.46	.46	1.8	.95	.66	.46	.46	.46	.46	.46
20	0	.93	.46	.46	.49	5.0	.62	.46	.46	.46	.46	.46
21	0	.46	.58	.46	.47	1.0	.47	.46	.46	.46	.46	.46
22	0	.46	.46	1.0	.46	.47	.51	2.3	.46	.46	.46	.46
23	0	.46	.46	.66	.57	.47	.53	.50	.46	.46	.46	.46
24	.11	.46	.46	.51	.46	.46	.46	.46	.46	.55	.46	.46
25	.01	.46	.46	.89	.67	.46	.46	.46	.46	.51	.46	.46
26	0	.46	.52	.46	.67	.46	.47	.50	.46	.59	.46	.46
27	0	.46	.46	.46	9.4	.46	.85	.71	.46	.78	.46	.46
28	0	.83	.78	.65	.29	.12	.61	.46	.46	.47	.46	.46
29	0	.46	1.5	.46	-----	3.6	.46	.46	.46	.47	.52	.46
30	0	.47	1.1	.46	-----	1.2	.46	.46	.46	.47	.50	.46
31	.23	-----	4.5	.55	-----	.47	-----	.57	-----	.46	.46	-----
Total	12.39	16.14	21.49	63.70	55.44	59.38	178.87	25.11	13.89	14.88	14.37	13.80
Mean	.40	.54	.69	2.05	1.98	1.92	5.96	.81	.46	.48	.46	.46
Max	9.3	.93	4.5	30	.29	.13	30	3.1	.53	.78	.52	.46
Min	0	.46	.46	.46	.46	.46	.46	.46	.46	.46	.46	.46
Acre-Ft	25	32	43	126	110	118	355	50	28	30	29	27
Wtr Year 2006	Total	489.46	Mean	1.34	Max	30	Min	0	Acre-Ft	971		
Cal Year 2005	Total	8298.69	Mean	22.7	Max	1210	Min	0	Acre-Ft	16460		

RUNOFF - DAILY DISCHARGE

Los Angeles County Dept of Public Works

USDAY V43 Output 01/17/2007

Summary Report

Site: F92C Santa Clara River at Old Road Bridge
 USGS #:
 Beginning Date: 10/01/2005
 Ending Date: 09/30/2006

Daily Mean Discharge in Cubic feet/second Water Year Oct 2005 to Sep 2006

Day	OCT	NOV	DEC	JAN	FEB	MAR	APR	MAY	JUN	JUL	AUG	SEP
1			9.5	15	9.1	8.0	10	4.9	3.1	1.7	1.7	2.0
2			9.5	117	8.7	6.5	9.0	4.9	3.0	1.5	1.7	1.9
3			9.5	30	8.5	9.2	8.9	4.6	3.0	1.5	1.7	1.8
4			9.4	27	8.2	9.0	17	4.3	3.3	1.5	1.6	1.8
5			9.4	20	8.1	9.0	20	4.5	3.6	1.6	1.6	1.8
6			9.5	12	8.5	10	13	3.6	3.3	1.9	1.6	1.8
7			9.5	12	8.3	9.1	16	4.4	3.0	1.9	1.6	1.8
8			9.6	13	8.7	8.0	15	4.1	3.1	1.8	1.6	1.8
9			9.7	12	9.0	8.2	15	4.0	2.9	1.4	1.6	1.8
10			9.8	12	8.8	8.0	14	3.5	3.1	1.4	1.6	1.8
11			9.9	13	9.3	7.7	21	4.4	3.4	1.6	1.6	1.8
12			9.9	15	9.1	8.1	23	3.6	3.5	1.8	1.6	1.7
13			10	15	8.6	7.9	17	3.5	3.4	1.8	1.6	1.7
14			10	17	8.6	8.2	7.8	3.2	3.1	1.8	1.6	1.8
15		10	9.9	16	8.7	8.5	6.3	3.2	3.2	1.8	1.6	1.8
16		10	10	15	8.3	7.6	7.2	3.1	3.0	1.8	1.6	1.8
17		10	9.7	16	9.3	8.1	7.6	3.7	2.9	1.8	1.6	1.8
18		10	10	16	9.6	7.8	6.6	3.4	2.7	1.8	1.6	1.8
19		9.9	9.9	16	9.4	7.7	6.3	3.0	3.1	1.8	1.6	1.8
20		9.9	10	17	10	8.6	6.6	2.6	3.0	1.7	1.6	1.8
21		9.9	9.3	17	11	9.0	6.8	2.9	2.7	1.8	1.6	1.9
22		9.8	8.6	18	9.6	10	6.9	2.6	2.6	1.7	1.6	1.9
23		9.8	8.5	14	10	9.4	7.0	2.4	2.6	1.7	1.6	1.8
24		9.8	8.8	8.8	9.6	9.9	7.3	2.9	2.4	1.8	1.7	1.8
25		9.7	8.6	9.0	9.5	12	7.5	2.7	2.2	1.7	1.8	1.8
26		9.7	9.1	8.6	9.7	11	7.1	2.9	1.9	1.7	1.8	1.8
27		9.7	9.0	9.2	23	11	6.7	2.9	1.8	1.7	1.8	1.8
28		9.6	9.1	9.0	21	16	6.9	2.8	1.7	1.7	1.9	1.9
29		9.6	9.0	8.5	-----	9.1	7.2	2.8	1.7	1.8	1.9	1.9
30		9.6	9.4	8.8	-----	8.2	6.8	3.2	1.7	1.8	1.9	1.9
31		-----	14	9.2	-----	8.6	-----	3.2	-----	1.7	1.9	-----
Total		157.0	298.1	546.1	280.2	279.4	317.5	107.8	84.0	53.0	51.8	54.6
Mean		9.81	9.62	17.6	10.0	9.01	10.6	3.48	2.80	1.71	1.67	1.82
Max		10	14	117	23	16	23	4.9	3.6	1.9	1.9	2.0
Min		9.6	8.5	8.5	8.1	6.5	6.3	2.4	1.7	1.4	1.6	1.7
Acre-Ft		311	591	1080	556	554	630	214	167	105	103	108
Wtr Year 2006	Total	2229.5	Mean	6.97	Max	117	Min	1.4	Acre-Ft	4420		
Cal Year 2005	Total	91541.1	Mean	287	Max	4320	Min	8.5	Acre-Ft	181600		

RUNOFF - DAILY DISCHARGE

Los Angeles County Dept of Public Works

USDAY V43 Output 01/17/2007

Summary Report

Site: F93B Santa Clara River above Lang Railroad Station
 USGS #:
 Beginning Date: 10/01/2005
 Ending Date: 09/30/2006

Daily Mean Discharge in Cubic feet/second Water Year Oct 2005 to Sep 2006

Day	OCT	NOV	DEC	JAN	FEB	MAR	APR	MAY	JUN	JUL	AUG	SEP
1			3.0	13	3.2	13	3.5	4.5	4.5	.10	0	0
2			2.9	27	3.2	5.0	2.2	3.4	3.3	.03	0	0
3			2.9	23	3.2	21	2.3	2.4	2.8	0	0	0
4			3.1	17	3.2	20	18	5.0	2.2	0	0	0
5			3.1	10	3.2	15	77	6.3	2.1	0	0	0
6			2.9	8.6	3.2	13	45	5.8	1.9	0	0	0
7			2.9	8.3	3.2	26	38	7.0	1.9	0	0	0
8			2.9	8.0	3.5	13	34	7.1	1.9	0	0	0
9			2.9	7.8	4.2	12	29	5.7	1.7	0	0	0
10			3.0	7.5	3.2	12	27	4.1	1.6	0	0	0
11			3.0	7.1	3.2	13	25	4.9	1.6	0	0	0
12			3.1	6.7	3.0	8.1	22	5.1	1.6	0	0	0
13			3.2	6.3	2.9	6.9	26	3.5	1.3	0	0	0
14			3.2	6.0	2.9	5.0	28	3.0	1.3	0	0	0
15		3.1	3.2	5.6	2.7	4.7	21	4.6	1.3	0	0	0
16		3.1	3.1	5.3	2.7	4.7	4.1	3.7	1.2	0	0	0
17		3.1	3.1	5.0	2.7	4.6	4.2	4.2	1.3	0	0	0
18		3.0	3.1	4.7	2.7	4.6	4.4	3.9	.93	0	0	0
19		3.0	3.1	4.4	8.9	4.6	4.4	4.0	1.2	0	0	0
20		3.0	3.0	4.1	3.6	4.6	4.4	3.3	.90	0	0	0
21		3.0	3.0	3.8	2.7	4.6	4.4	2.3	.58	0	0	0
22		3.0	3.0	3.5	2.7	4.6	4.4	8.9	.46	0	0	0
23		3.0	2.9	3.3	2.7	4.7	4.4	13	.35	0	0	0
24		3.0	2.9	3.2	2.7	4.7	4.4	12	.30	0	0	0
25		3.0	2.9	3.1	2.7	4.6	4.4	10	.25	0	0	0
26		3.0	2.9	3.0	2.6	4.6	4.4	11	.20	0	0	0
27		3.0	2.8	3.0	10	4.6	4.4	11	.17	0	0	0
28		3.0	2.8	2.9	72	8.4	4.4	9.6	.17	0	0	0
29		3.0	2.8	2.8	-----	10	4.4	9.8	.16	0	0	0
30		3.0	2.8	2.8	-----	2.9	4.4	6.4	.15	0	0	0
31		-----	4.6	3.0	-----	2.7	-----	5.8	-----	0	0	-----
Total		48.3	94.1	219.8	166.7	267.2	463.5	191.3	39.32	0.13	0	0
Mean		3.02	3.04	7.09	5.95	8.62	15.4	6.17	1.31	.004	0	0
Max		3.1	4.6	27	72	26	77	13	4.5	.10	0	0
Min		3.0	2.8	2.8	2.6	2.7	2.2	2.3	.15	0	0	0
Acre-Ft		96	187	436	331	530	919	379	78	.3	0	0
Wtr Year 2006	Total	1490.35	Mean	4.66	Max	77	Min	0	Acre-Ft	2960		
Cal Year 2005	Total	18445.4	Mean	57.6	Max	1620	Min	1.1	Acre-Ft	36590		

RUNOFF - DAILY DISCHARGE

Los Angeles County Dept of Public Works

USDAY V43 Output 01/17/2007

Summary Report

Site: F280 Santa Fe Channel Below Santa Fe Dam
 USGS #:
 Beginning Date: 10/01/2005
 Ending Date: 09/30/2006

Daily Mean Discharge in Cubic feet/second Water Year Oct 2005 to Sep 2006

Day	OCT	NOV	DEC	JAN	FEB	MAR	APR	MAY	JUN	JUL	AUG	SEP
1	0	17	0	0	0	0	.01	160	0	0	0	0
2	0	8.0	0	.04	0	0	.02	171	0	0	0	0
3	0	2.2	0	.01	0	0	.04	166	0	0	0	0
4	0	.16	0	0	0	0	.05	125	0	0	0	0
5	0	0	0	0	0	0	.12	86	0	0	0	0
6	0	0	0	0	0	0	.08	86	0	0	0	0
7	0	0	0	0	0	0	.10	87	0	0	0	0
8	0	0	0	0	0	0	.13	102	0	0	0	0
9	0	0	0	0	0	0	.17	135	0	0	0	0
10	0	0	0	0	0	0	.21	64	0	0	0	0
11	0	0	0	0	0	0	.34	21	0	0	0	0
12	0	0	0	0	0	0	4.4	36	0	0	0	0
13	0	0	0	0	0	0	.12	.17	0	0	0	0
14	0	0	0	0	0	0	.21	.01	0	0	0	0
15	0	0	0	0	0	0	.31	0	0	0	0	0
16	0	0	0	0	0	0	.26	0	0	0	0	0
17	3.8	0	0	0	0	0	.26	0	0	0	0	0
18	2.3	0	0	0	0	0	.55	0	0	0	0	0
19	.08	0	0	0	0	0	.94	0	0	0	0	0
20	.10	0	0	0	0	0	.99	0	0	0	0	0
21	.33	0	0	0	0	0	.99	0	0	0	0	0
22	.87	0	0	0	0	0	102	0	0	0	0	0
23	1.8	0	0	0	0	0	105	0	0	0	0	0
24	3.1	0	0	0	0	0	109	0	0	0	0	0
25	4.8	0	0	0	0	0	159	0	0	0	0	0
26	6.8	0	0	0	0	0	240	0	0	0	0	0
27	9.2	0	0	0	0	0	256	0	0	0	0	0
28	12	0	0	0	.01	0	258	0	0	0	0	0
29	15	0	0	0	-----	0	217	0	0	0	0	0
30	18	0	0	0	-----	0	180	0	0	0	0	0
31	21	-----	0	0	-----	0	-----	0	-----	0	0	-----
Total	99.18	27.36	0	0.05	0.01	0	2094.67	1239.18	0	0	0	0
Mean	3.20	.91	0	.002	0	0	69.8	40.0	0	0	0	0
Max	21	17	0	.04	.01	0	258	171	0	0	0	0
Min	0	0	0	0	0	0	.01	0	0	0	0	0
Acre-Ft	197	54	0	.1	.02	0	4150	2460	0	0	0	0
Wtr Year 2006	Total	3460.45	Mean	9.48	Max	258	Min	0	Acre-Ft	6860		
Cal Year 2005	Total	16904.48	Mean	46.3	Max	520	Min	0	Acre-Ft	33530		

RUNOFF - DAILY DISCHARGE

Los Angeles County Dept of Public Works

USDAY V43 Output 01/17/2007

Summary Report

Site: F125 Santiago Canyon Creek Above Littlerock Creek
 USGS #:
 Beginning Date: 10/01/2005
 Ending Date: 09/30/2006

Daily Mean Discharge in Cubic feet/second Water Year Oct 2005 to Sep 2006

Day	OCT	NOV	DEC	JAN	FEB	MAR	APR	MAY	JUN	JUL	AUG	SEP
1		.90	2.4	7.1	.58	13	11	.48	.37	0	0	0
2		.30	.91	30	.45	1.5	8.1	.48	.25	0	0	0
3		.13	.92	29	.45	2.6	4.7	.50	.40	0	0	0
4		.16	.92	14	.45	2.8	11	.54	.20	0	0	0
5		.11	1.0	8.9	.44	.71	58	.58	.06	0	0	0
6		.10	1.2	5.8	.43	.61	41	.58	0	0	0	0
7		.14	1.8	4.6	.44	.69	32	.59	0	0	0	0
8		.24	1.3	3.7	.44	.66	24	.59	0	0	0	0
9		.37	2.8	2.2	.44	.59	18	.60	0	0	0	0
10		.36	2.2	1.3	.44	.56	13	.58	0	0	0	0
11		.43	1.9	1.1	.41	.58	10	.55	0	0	0	0
12		.32	2.8	1.1	.40	.55	6.6	.53	0	0	0	0
13		.14	2.8	1.1	.42	.53	3.4	.53	0	0	0	0
14		.06	2.8	1.1	.45	.50	4.6	.52	0	0	0	0
15		0	2.8	1.1	.45	.50	4.9	.52	0	0	0	0
16		0	2.8	1.0	.48	.50	2.0	.49	0	0	0	0
17		0	2.8	1.0	.52	.50	1.1	.49	0	0	0	0
18		0	2.8	1.0	.63	.53	.99	.49	0	0	0	0
19		0	3.1	.99	.60	.51	.88	.45	0	0	0	0
20		0	3.4	1.0	.61	.51	.81	.44	0	0	0	0
21		0	4.5	1.0	.56	.57	.74	.47	0	0	0	0
22		0	3.9	.91	.56	.53	.72	.55	0	0	0	0
23		0	2.8	.85	.56	.50	.71	.52	0	0	0	0
24		0	2.8	.85	.56	.50	.68	.47	0	0	0	0
25		0	2.8	.84	.56	.50	.66	.45	0	0	0	0
26	.18	0	2.8	.84	.56	.57	.62	.44	0	0	0	0
27	.10	0	2.8	.85	2.4	.58	.62	.46	0	0	0	0
28	.38	0	3.1	.85	64	.59	.47	.47	0	0	0	0
29	.52	.09	4.1	.85	-----	.52	.53	.46	0	0	0	0
30	.89	2.7	3.9	.85	-----	.26	.49	.44	0	0	0	0
31	.32	-----	4.1	.87	-----	.14	-----	.41	-----	0	0	-----
Total	2.39	6.55	81.05	126.65	79.29	138.68	262.44	15.67	1.28	0	0	0
Mean	.40	.22	2.61	4.09	2.83	4.47	8.75	.51	.043	0	0	0
Max	.89	2.7	4.5	30	64	52	58	.60	.40	0	0	0
Min	.10	0	.91	.84	.40	.50	.49	.41	0	0	0	0
Acre-Ft	4.7	13	161	251	157	275	521	31	2.5	0	0	0
Wtr Year 2006	Total	714.00	Mean	2.10	Max	64	Min	0	Acre-Ft	1420		
Cal Year 2005	Total	2245.93	Mean	6.61	Max	236	Min	0	Acre-Ft	4450		

RUNOFF - DAILY DISCHARGE

Los Angeles County Dept of Public Works

USDAY V43 Output 01/17/2007

Summary Report

Site: F278 Sawpit Creek Below Sawpit Dam
 USGS #:
 Beginning Date: 10/01/2005
 Ending Date: 09/30/2006

Daily Mean Discharge in Cubic feet/second Water Year Oct 2005 to Sep 2006

Day	OCT	NOV	DEC	JAN	FEB	MAR	APR	MAY	JUN	JUL	AUG	SEP
1	1.8	2.1	2.1	2.4	2.1	2.8	3.3	2.6	1.9	1.6	1.6	1.3
2	1.9	2.1	2.1	6.3	2.1	2.6	2.9	2.6	1.9	1.6	1.6	1.2
3	1.9	2.1	2.1	3.3	2.1	2.9	3.0	2.6	1.9	1.6	1.7	1.2
4	1.9	2.1	2.1	2.4	2.1	2.6	4.5	2.7	1.8	1.6	1.8	1.2
5	1.9	2.1	2.1	2.3	2.1	2.5	8.7	2.6	1.9	1.6	1.7	1.2
6	1.9	2.1	2.1	2.3	2.0	2.5	6.6	2.5	2.0	1.6	1.7	1.2
7	1.8	2.1	2.0	2.3	2.0	2.5	4.6	2.5	2.0	1.6	1.6	1.2
8	2.0	2.1	2.0	2.3	2.0	2.4	4.0	2.4	2.0	1.5	1.5	1.3
9	2.0	2.2	2.1	2.2	1.9	2.3	3.7	2.4	2.0	1.5	1.4	1.3
10	2.0	2.2	2.1	2.2	1.9	2.4	3.4	2.3	2.0	1.5	1.3	1.3
11	1.9	2.2	2.0	2.2	1.9	2.6	3.1	2.3	2.0	1.5	1.3	1.3
12	1.9	2.2	2.0	2.2	1.9	2.5	2.9	2.3	2.0	1.5	1.3	1.3
13	1.9	2.1	2.0	2.1	1.9	2.3	2.7	2.2	1.9	1.4	1.3	1.3
14	1.9	2.1	2.0	2.2	1.9	2.3	4.1	2.2	1.9	1.4	1.3	1.5
15	1.9	2.1	2.0	2.2	1.9	2.3	5.2	2.2	1.8	1.4	1.3	1.5
16	2.2	2.0	2.0	2.1	2.0	2.3	4.0	2.2	1.8	1.4	1.3	1.4
17	3.4	2.0	2.1	2.1	1.9	2.4	3.7	2.2	1.8	1.4	1.3	1.3
18	2.7	2.0	2.1	2.1	2.0	2.4	3.4	2.1	1.8	1.4	1.3	1.2
19	2.4	2.0	2.1	2.1	2.1	2.5	3.1	2.1	1.8	1.4	1.2	1.2
20	2.3	2.0	2.1	2.1	2.0	2.5	2.9	2.1	1.8	1.4	1.2	1.2
21	2.2	2.0	2.0	2.1	2.0	3.1	2.8	2.2	1.8	1.3	1.3	1.3
22	2.2	2.0	2.0	2.1	2.0	2.8	2.8	2.7	1.8	1.3	1.2	1.3
23	2.2	2.0	2.0	2.0	1.9	2.3	2.7	2.4	1.7	1.3	1.3	1.3
24	2.2	2.0	2.0	2.1	1.9	2.0	2.6	2.2	1.7	1.4	1.3	1.3
25	2.2	2.0	2.0	2.1	1.9	2.3	2.6	2.1	1.7	1.4	1.3	1.2
26	2.2	2.1	2.1	2.1	1.8	2.3	2.6	2.2	1.7	1.4	1.3	1.3
27	2.2	2.1	2.1	2.1	2.3	2.3	2.7	2.4	1.7	1.4	1.3	1.3
28	2.2	2.1	2.1	2.1	5.7	3.4	2.7	2.1	1.7	1.5	1.3	1.2
29	2.2	2.1	2.1	2.1	-----	3.7	2.7	2.1	1.7	1.6	1.3	1.2
30	2.2	2.1	2.0	2.1	-----	2.9	2.6	2.0	1.6	1.7	1.3	1.3
31	2.1	-----	2.5	2.1	-----	2.8	-----	1.9	-----	1.7	1.3	-----
Total	65.7	62.4	64.1	72.4	59.3	79.5	106.6	71.4	55.1	45.9	42.9	38.3
Mean	2.12	2.08	2.07	2.34	2.12	2.56	3.55	2.30	1.84	1.48	1.38	1.28
Max	3.4	2.2	2.5	6.3	5.7	3.7	8.7	2.7	2.0	1.7	1.8	1.5
Min	1.8	2.0	2.0	2.0	1.8	2.0	2.6	1.9	1.6	1.3	1.2	1.2
Acre-Ft	130	124	127	144	118	158	211	142	109	91	85	76
Wtr Year 2006	Total	763.6	Mean	2.09	Max	8.7	Min	1.2	Acre-Ft	1510		
Cal Year 2005	Total	2073.6	Mean	5.68	Max	184	Min	1.8	Acre-Ft	4110		

RUNOFF - DAILY DISCHARGE

Los Angeles County Dept of Public Works

USDAY V43 Output 01/17/2007

Summary Report

Site: F194B Sawpit Wash Below Live Oak Avenue
 USGS #:
 Beginning Date: 10/01/2005
 Ending Date: 09/30/2006

Daily Mean Discharge in Cubic feet/second Water Year Oct 2005 to Sep 2006

Day	OCT	NOV	DEC	JAN	FEB	MAR	APR	MAY	JUN	JUL	AUG	SEP
1	.41	.37	.96	8.1	1.3	5.0	5.8	209	.40	.46	.23	.66
2	.39	.39	4.7	129	2.2	3.5	3.7	217	.41	.46	.23	.65
3	.38	.39	2.5	8.8	2.2	48	3.7	221	.41	.46	.25	.56
4	.38	.38	2.1	2.4	2.0	3.8	91	160	.42	.42	.23	.64
5	.44	.38	2.0	.36	2.0	3.2	75	99	.41	.37	.27	.74
6	.38	.39	2.0	.35	2.0	11	8.1	115	.37	.35	.23	.90
7	.38	.38	2.0	.36	2.0	4.8	.32	117	.37	.32	.25	.89
8	.38	.88	2.0	.35	2.0	3.0	.29	132	.38	.33	.24	.87
9	.39	2.6	2.7	.35	1.9	2.8	.28	176	.38	.27	.22	.99
10	.39	2.5	2.0	.35	1.9	12	.28	85	.38	.26	.24	.97
11	.41	2.4	2.0	.35	1.9	8.2	.26	21	.38	.14	.26	1.0
12	.59	2.3	2.0	.98	1.9	7.3	.33	49	.38	.20	.23	.92
13	.58	2.3	2.0	2.3	1.8	1.9	1.0	.32	.39	.24	.26	.95
14	.58	2.1	2.0	3.2	1.8	.37	83	.19	.39	.22	.22	1.1
15	2.5	2.1	2.0	2.3	1.9	.37	13	.11	.39	.23	.23	1.4
16	4.3	2.0	2.0	2.3	1.9	.80	5.4	.09	.39	.25	.23	1.3
17	127	2.0	2.1	1.8	14	39	4.5	.11	.40	.25	.24	1.1
18	8.7	2.2	2.0	.36	2.4	12	31	.10	.40	.26	.24	.95
19	.48	2.0	1.8	.36	11	3.5	56	.08	.45	.27	.29	.82
20	.44	2.1	.59	.36	1.9	41	55	.06	.42	.25	.23	.83
21	.39	2.0	.38	.35	1.8	7.6	56	.02	.43	.26	.23	.89
22	.38	2.0	.37	.34	1.7	.47	58	8.4	.58	.30	.33	.92
23	.38	2.0	.38	.34	1.7	.53	61	.34	.46	.27	.58	1.0
24	.55	2.2	.38	.36	1.8	.38	63	.31	.50	.28	.56	.80
25	.81	2.2	.37	.38	2.0	.40	105	.32	.45	.26	.55	.76
26	.54	2.1	.83	.37	1.6	.42	191	.31	.49	.28	.57	.74
27	.38	2.0	.38	.37	110	1.3	180	.53	.51	.53	.58	.79
28	.38	2.1	.37	.37	121	102	192	.41	.58	.26	.58	.80
29	.37	1.5	1.3	.37	-----	17	202	.39	.45	.26	.59	.74
30	.36	.40	2.0	.37	-----	5.2	206	.42	.48	.25	.61	.79
31	.37	-----	59	.38	-----	4.5	-----	.40	-----	.25	.68	-----
Total	154.41	48.66	107.21	168.73	301.6	351.34	1751.96	1613.91	12.85	9.21	10.68	26.47
Mean	4.98	1.62	3.46	5.44	10.8	11.3	58.4	52.1	.43	.30	.34	.88
Max	127	2.6	59	129	121	102	206	221	.58	.53	.68	1.4
Min	.36	.37	.37	.34	1.3	.37	.26	.02	.37	.14	.22	.56
Acre-Ft	306	97	213	335	598	697	3470	3200	25	18	21	53
Wtr Year 2006	Total	4557.03	Mean	12.5	Max	221	Min	.02	Acre-Ft	9040		
Cal Year 2005	Total	15314.32	Mean	42.0	Max	478	Min	0	Acre-Ft	30380		

RUNOFF - DAILY DISCHARGE

Los Angeles County Dept of Public Works

USDAY V43 Output 01/17/2007

Summary Report

Site: F32 Thompson Creek Below Dam
 USGS #:
 Beginning Date: 10/01/2005
 Ending Date: 09/30/2006

Daily Mean Discharge in Cubic feet/second Water Year Oct 2005 to Sep 2006

Day	OCT	NOV	DEC	JAN	FEB	MAR	APR	MAY	JUN	JUL	AUG	SEP
1	0	0	0	0	0	0	0	0	0	0	0	0
2	0	0	0	0	0	0	0	0	0	0	0	0
3	0	0	0	0	0	0	0	0	0	0	0	0
4	0	0	0	0	0	0	0	0	0	0	0	0
5	0	0	0	0	0	0	0	0	0	0	0	0
6	0	0	0	0	0	0	0	0	0	0	0	0
7	0	0	0	0	0	0	0	0	0	0	0	0
8	0	0	0	0	0	0	0	0	0	0	0	0
9	0	0	0	0	0	0	0	0	0	0	0	0
10	0	0	0	0	0	0	0	0	0	0	0	0
11	0	0	0	0	0	0	0	0	0	0	0	0
12	0	0	0	0	0	0	0	0	0	0	0	0
13	0	0	0	0	0	0	0	0	0	0	0	0
14	0	0	0	0	0	0	0	0	0	0	0	0
15	0	0	0	0	0	0	0	0	0	0	0	0
16	0	0	0	0	0	0	0	0	0	0	0	0
17	0	0	0	0	0	0	0	0	0	0	0	0
18	0	0	0	0	0	0	0	0	0	0	0	0
19	0	0	0	0	0	0	0	0	0	0	0	0
20	0	0	0	0	0	0	0	0	0	0	0	0
21	0	0	0	0	0	0	0	0	0	0	0	0
22	0	0	0	0	0	0	0	0	0	0	0	0
23	0	0	0	0	0	0	0	0	0	0	0	0
24	0	0	0	0	0	0	0	0	0	0	0	0
25	0	0	0	0	0	0	0	0	0	0	0	0
26	0	0	0	0	0	0	0	0	0	0	0	0
27	0	0	0	0	.07	0	0	0	0	0	0	0
28	0	0	0	0	.08	0	0	0	0	0	0	0
29	0	0	0	0	-----	0	0	0	0	0	0	0
30	0	0	0	0	-----	0	0	0	0	0	0	0
31	0	-----	0	0	-----	0	-----	0	-----	0	0	-----
Total	0	0	0	0	0.15	0	0	0	0	0	0	0
Mean	0	0	0	0	.005	0	0	0	0	0	0	0
Max	0	0	0	0	.08	0	0	0	0	0	0	0
Min	0	0	0	0	0	0	0	0	0	0	0	0
Acre-Ft	0	0	0	0	.3	0	0	0	0	0	0	0
Wtr Year 2006	Total	0.15	Mean	0	Max	.08	Min	0	Acre-Ft	.3		
Cal Year 2005	Total	821.09	Mean	2.25	Max	84	Min	0	Acre-Ft	1630		

RUNOFF - DAILY DISCHARGE

Los Angeles County Dept of Public Works

USDAY V43 Output 01/17/2007

Summary Report

Site: F54C Topanga Creek Above Mouth of Canyon
 USGS #:
 Beginning Date: 10/01/2005
 Ending Date: 09/30/2006

Daily Mean Discharge in Cubic feet/second Water Year Oct 2005 to Sep 2006

Day	OCT	NOV	DEC	JAN	FEB	MAR	APR	MAY	JUN	JUL	AUG	SEP
1	2.2	2.7	3.8	6.5	3.4	5.5	15	4.4	3.3	2.1	1.5	1.4
2	2.3	2.6	3.5	86	3.5	4.2	7.7	4.4	3.3	2.0	1.4	1.4
3	2.3	2.7	3.7	7.0	3.3	18	6.5	4.4	3.3	1.8	1.4	1.3
4	2.3	2.7	3.6	4.1	3.3	6.8	80	4.5	3.0	1.7	1.5	1.3
5	2.3	2.8	3.5	3.5	3.3	5.0	46	4.4	3.0	1.7	1.4	1.3
6	2.3	2.9	3.6	3.2	3.3	4.5	16	4.4	3.1	1.7	1.4	1.3
7	2.3	2.9	3.7	3.0	3.2	4.9	11	4.4	3.0	1.7	1.4	1.3
8	2.4	3.1	3.7	3.0	3.0	4.1	8.7	4.4	3.0	1.6	1.5	1.3
9	2.5	4.8	3.7	2.9	3.0	3.9	7.6	4.4	3.0	1.6	1.4	1.3
10	2.7	4.2	3.8	3.0	3.0	3.8	6.8	4.4	2.9	1.6	1.4	1.3
11	2.4	3.7	3.8	2.9	3.0	3.9	6.4	4.4	2.8	1.6	1.4	1.4
12	2.4	3.1	3.9	2.9	3.0	3.6	6.0	4.4	2.9	1.6	1.4	1.3
13	2.4	3.0	3.9	2.9	3.0	3.5	5.7	4.2	2.8	1.5	1.4	1.4
14	2.6	3.0	3.9	3.1	3.0	3.5	7.7	4.2	2.7	1.5	1.4	1.4
15	2.5	3.1	4.0	3.1	3.0	3.4	6.4	4.2	2.6	1.5	1.4	1.4
16	2.6	3.2	4.1	3.0	3.0	3.3	5.7	4.2	2.5	1.5	1.4	1.4
17	3.5	3.2	4.2	3.0	3.2	3.4	5.4	4.2	2.4	1.5	1.4	1.4
18	4.5	3.2	4.2	3.0	3.8	3.7	5.3	4.1	2.4	1.5	1.5	1.3
19	3.3	3.2	4.2	3.0	5.1	3.3	5.0	4.1	2.4	1.5	1.4	1.3
20	2.8	3.2	4.3	2.9	3.7	4.6	4.8	4.0	2.4	1.5	1.5	1.3
21	2.7	3.3	4.2	3.0	3.3	6.9	4.8	4.1	2.3	1.5	1.5	1.4
22	2.7	3.3	4.2	3.0	3.1	4.0	4.8	16	2.3	1.4	1.4	1.4
23	2.7	3.4	4.2	3.0	3.0	3.7	4.8	6.0	2.3	1.4	1.4	1.4
24	2.7	3.4	4.2	3.1	3.1	3.6	4.8	4.9	2.3	1.4	1.4	1.4
25	2.7	3.7	4.1	3.2	3.0	3.5	4.8	4.6	2.3	1.4	1.4	1.4
26	2.7	3.3	4.4	3.3	3.0	3.5	4.8	4.4	2.3	1.4	1.4	1.4
27	2.7	3.3	4.4	3.3	11	3.5	4.7	4.3	2.3	1.4	1.4	1.4
28	2.7	3.3	4.4	3.3	32	49	4.6	4.0	2.3	1.4	1.4	1.4
29	2.7	3.4	4.4	3.3	-----	27	4.6	3.7	2.2	1.4	1.4	1.4
30	2.7	3.5	4.4	3.3	-----	9.5	4.4	3.6	2.1	1.4	1.4	1.4
31	2.7	-----	7.3	3.5	-----	7.1	-----	3.5	-----	1.5	1.4	-----
Total	82.3	97.2	127.3	187.3	127.6	218.2	310.8	145.2	79.5	48.3	44.0	40.8
Mean	2.65	3.24	4.11	6.04	4.56	7.04	10.4	4.68	2.65	1.56	1.42	1.36
Max	4.5	4.8	7.3	86	32	49	80	16	3.3	2.1	1.5	1.4
Min	2.2	2.6	3.5	2.9	3.0	3.3	4.4	3.5	2.1	1.4	1.4	1.3
Acre-Ft	163	193	252	372	253	433	616	288	158	96	87	81
Wtr Year 2006	Total	1508.5	Mean	4.13	Max	86	Min	1.3	Acre-Ft	2990		
Cal Year 2005	Total	17965.3	Mean	49.2	Max	2000	Min	2.1	Acre-Ft	35630		

RUNOFF - DAILY DISCHARGE

Los Angeles County Dept of Public Works

USDAY V43 Output 01/17/2007

Summary Report

Site: F252 Verdugo Wash At Estelle Avenue
 USGS #:
 Beginning Date: 10/01/2005
 Ending Date: 09/30/2006

Daily Mean Discharge in Cubic feet/second Water Year Oct 2005 to Sep 2006

Day	OCT	NOV	DEC	JAN	FEB	MAR	APR	MAY	JUN	JUL	AUG	SEP
1	11	13	15	55	12	14	70	10	12	14	15	12
2	11	13	16	547	11	12	11	10	12	13	16	12
3	12	13	16	29	11	88	14	10	12	13	15	12
4	11	13	14	19	9.4	16	236	10	12	13	15	11
5	11	13	14	14	9.4	13	91	11	12	14	14	11
6	12	13	14	15	11	37	18	11	12	14	13	11
7	11	13	14	17	10	17	16	11	12	14	13	11
8	12	14	15	13	9.5	11	15	11	12	13	12	11
9	12	19	18	14	9.7	11	14	12	13	14	11	10
10	12	15	16	13	8.9	35	13	12	12	13	10	9.9
11	12	13	16	13	8.9	34	12	13	12	13	10	9.9
12	12	15	17	13	8.9	19	12	13	13	13	9.7	11
13	12	15	18	12	8.9	13	11	13	12	14	11	10
14	12	15	18	27	9.3	11	49	12	12	15	10	9.9
15	28	15	18	12	8.7	11	17	12	13	15	10	9.9
16	15	15	19	11	8.2	11	11	12	13	14	12	9.9
17	234	16	19	11	22	11	9.9	12	13	14	12	9.1
18	37	16	20	11	16	15	10	12	13	15	12	8.9
19	12	16	21	11	26	11	10	12	13	15	12	8.9
20	12	16	21	11	11	70	8.8	13	13	14	12	8.9
21	12	17	24	9.9	8.9	34	8.1	14	13	14	12	8.9
22	12	16	22	11	9.0	11	9.4	97	13	14	12	8.9
23	12	17	21	11	8.8	11	9.1	11	13	13	12	8.9
24	13	16	22	11	8.9	10	9.3	10	13	13	12	8.9
25	16	17	23	10	11	11	9.9	11	14	13	12	8.9
26	13	15	29	9.9	10	9.2	11	11	15	14	12	9.6
27	14	12	25	10	211	9.8	9.3	11	14	14	12	9.9
28	13	13	29	10	217	256	10	11	13	17	12	9.7
29	13	12	28	10	-----	54	10	10	13	14	12	9.9
30	13	13	26	11	-----	14	10	12	14	14	12	9.9
31	12	-----	179	12	-----	12	-----	13	-----	15	12	-----
Total	644	439	767	983.8	714.4	892.0	744.8	443	383	432	376.7	300.8
Mean	20.8	14.6	24.7	31.7	25.5	28.8	24.8	14.3	12.8	13.9	12.2	10.0
Max	234	19	179	547	217	256	236	97	15	17	16	12
Min	11	12	14	9.9	8.2	9.2	8.1	10	12	13	9.7	8.9
Acre-Ft	1280	871	1520	1950	1420	1770	1480	879	760	857	747	597
Wtr Year 2006	Total	7120.5	Mean	19.5	Max	547	Min	8.1	Acre-Ft	14120		
Cal Year 2005	Total	16719	Mean	45.8	Max	1350	Min	10	Acre-Ft	33160		

RUNOFF - DAILY DISCHARGE

Los Angeles County Dept of Public Works

USDAY V43 Output 01/17/2007

Summary Report

Site: F304 Walnut Creek at Puente Avenue
 USGS #:
 Beginning Date: 10/01/2005
 Ending Date: 09/30/2006

Daily Mean Discharge in Cubic feet/second Water Year Oct 2005 to Sep 2006

Day	OCT	NOV	DEC	JAN	FEB	MAR	APR	MAY	JUN	JUL	AUG	SEP
1	1.5	3.6	4.2	17	3.5	15	120	5.8	25	13	14	14
2	1.5	4.0	13	246	3.8	14	76	8.3	25	14	14	14
3	1.9	4.1	10	7.9	3.7	103	76	5.9	25	14	14	14
4	1.6	2.0	4.2	5.4	4.0	11	360	8.2	25	14	14	13
5	1.7	2.1	5.6	4.8	3.8	7.5	199	11	5.2	14	14	14
6	1.6	2.1	6.1	4.8	3.8	27	107	3.3	4.2	14	14	13
7	3.4	2.2	4.3	4.8	3.8	17	138	3.1	11	14	14	12
8	1.3	3.6	4.2	4.8	4.1	10	136	7.9	14	14	14	12
9	1.3	3.5	7.2	4.9	3.9	10	104	8.7	17	14	4.6	12
10	3.7	4.4	4.6	4.4	3.8	16	46	8.2	17	14	9.3	12
11	4.0	1.7	4.4	4.2	3.9	20	16	8.7	16	14	14	12
12	2.8	1.6	6.3	4.5	4.0	8.4	15	18	16	14	14	9.1
13	2.9	1.7	4.5	4.1	4.0	9.7	16	26	16	14	14	1.6
14	2.2	1.7	4.6	5.7	4.0	9.6	171	17	16	14	5.4	1.5
15	1.1	3.3	4.8	4.1	4.8	9.2	19	21	16	14	5.4	1.6
16	6.2	3.4	4.7	3.8	5.0	10	12	29	15	14	14	1.5
17	279	2.0	4.8	3.4	28	45	15	32	14	14	14	1.4
18	40	3.9	4.7	3.4	12	8.8	15	34	12	14	14	2.0
19	7.5	1.9	4.7	3.2	58	10	11	29	9.6	14	14	1.8
20	7.5	1.8	4.6	2.7	4.1	74	6.7	26	9.8	14	14	1.7
21	7.5	3.8	5.0	2.9	8.6	49	9.0	27	11	14	14	1.6
22	7.5	2.0	4.7	2.6	15	7.9	4.3	82	15	14	13	1.3
23	7.5	1.9	5.0	2.3	15	21	10	26	14	14	14	1.8
24	7.5	2.0	5.0	2.7	13	53	8.9	26	14	14	13	2.8
25	31	2.0	4.8	2.9	6.8	45	7.3	26	14	15	13	2.1
26	2.5	2.0	6.6	3.5	4.0	49	5.4	26	13	14	13	1.8
27	2.3	1.8	5.9	3.2	232	41	7.6	26	12	14	13	1.8
28	3.0	3.2	4.9	3.3	308	391	2.6	14	11	14	13	1.8
29	1.2	3.3	4.9	3.3	-----	80	2.8	26	9.3	14	14	1.9
30	1.1	3.9	4.9	3.3	-----	33	3.0	26	13	14	13	1.9
31	2.7	-----	163	3.4	-----	79	-----	26	-----	14	14	-----
Total	446.5	80.5	326.2	377.3	768.4	1284.1	1719.6	642.1	435.1	434	395.7	183.0
Mean	14.4	2.68	10.5	12.2	27.4	41.4	57.3	20.7	14.5	14.0	12.8	6.10
Max	279	4.4	163	246	308	391	360	82	25	15	14	14
Min	1.1	1.6	4.2	2.3	3.5	7.5	2.6	3.1	4.2	13	4.6	1.3
Acre-Ft	886	160	647	748	1520	2550	3410	1270	863	861	785	363
Wtr Year 2006	Total	7092.5	Mean	19.4	Max	391	Min	1.1	Acre-Ft	14070		
Cal Year 2005	Total	18358.12	Mean	50.3	Max	1370	Min	.80	Acre-Ft	36410		

RUNOFF - DAILY DISCHARGE

Los Angeles County Dept of Public Works

USDAY V43 Output 01/17/2007

Summary Report

Site: F40 Puddingstone Creek Below Dam
 USGS #:
 Beginning Date: 10/01/2005
 Ending Date: 09/30/2006

Daily Mean Discharge in Cubic feet/second Water Year Oct 2005 to Sep 2006

Day	OCT	NOV	DEC	JAN	FEB	MAR	APR	MAY	JUN	JUL	AUG	SEP
1	1.3	1.6	.83	.94	.82	30	52	1.6	.79	.62	.81	.84
2	1.3	1.6	.88	1.1	.82	30	52	1.6	.80	.68	.75	.79
3	1.3	1.6	.98	.97	.82	12	52	1.7	.74	.77	.80	.78
4	1.6	1.6	.95	.85	.60	2.4	51	1.9	.69	.72	.77	.84
5	1.9	1.6	.92	.77	.44	2.4	52	1.9	.72	.70	.85	.92
6	1.8	1.5	.94	.70	.68	2.4	82	1.9	.89	.57	.81	.92
7	1.8	1.6	.92	.70	.66	2.3	109	1.8	.84	.57	.91	.89
8	1.7	1.6	.93	.64	.57	2.3	109	1.8	.85	.57	.81	.93
9	1.8	1.6	.99	.68	.45	1.9	73	1.8	.96	.57	.73	.98
10	1.7	1.6	.97	.71	.54	1.7	43	1.7	.89	.57	.68	1.0
11	1.7	1.7	.91	.67	.56	1.9	10	1.6	.95	.53	.65	.97
12	1.7	1.6	1.0	.68	.61	2.5	1.9	1.6	.89	.63	.66	.92
13	1.7	1.6	.97	.71	.57	2.6	1.7	1.6	.93	.63	.68	.91
14	1.7	1.6	.95	.68	.52	2.4	1.6	1.6	.87	.61	.69	1.0
15	1.5	1.6	.93	.69	.55	2.4	2.0	1.6	.79	.59	.70	.92
16	1.6	1.6	.99	.68	.65	2.3	2.1	1.6	.81	.63	.74	.89
17	2.1	1.7	1.0	.67	.65	2.3	2.1	1.5	.83	.59	.71	.92
18	1.8	1.7	1.1	.64	.57	2.1	1.9	1.6	.88	.58	.74	.87
19	1.8	1.6	1.1	.64	.69	2.2	1.8	1.7	.92	.61	.72	.94
20	1.7	1.6	1.1	.67	.65	2.4	1.7	1.5	.94	.62	.77	.94
21	1.7	1.6	1.1	.66	.59	2.4	1.6	1.5	.87	.58	.77	.80
22	1.7	1.6	1.0	.72	.53	19	1.9	1.9	.77	.54	.76	.83
23	1.8	1.5	1.0	.81	.49	30	2.1	1.7	.80	.55	.77	.76
24	1.9	1.5	1.0	.77	.50	29	2.1	.58	.81	.57	.75	.75
25	1.9	1.5	.90	.94	.50	29	2.0	.50	.82	.60	.78	.70
26	1.8	1.5	1.2	.95	.49	29	1.9	.44	.75	.72	.80	.75
27	1.7	1.6	1.1	.83	.72	19	2.0	.59	.85	.76	.85	.75
28	1.6	1.6	.91	.88	.15	2.4	2.0	.76	.85	.83	.85	.72
29	1.6	1.5	.81	.88	-----	2.3	1.9	.77	.86	.89	.86	.71
30	1.6	.84	.81	.81	-----	34	1.7	.75	.75	.85	.89	.71
31	1.6	-----	.98	.78	-----	52	-----	.75	-----	.78	.94	-----
Total	52.4	46.94	30.17	23.82	31.24	358.6	721.0	43.84	25.11	20.03	24.00	25.65
Mean	1.69	1.56	.97	.77	1.12	11.6	24.0	1.41	.84	.65	.77	.86
Max	2.1	1.7	1.2	1.1	.15	.52	109	1.9	.96	.89	.94	1.0
Min	1.3	.84	.81	.64	.44	1.7	1.6	.44	.69	.53	.65	.70
Acre-Ft	104	93	60	47	62	711	1430	87	50	40	48	51
Wtr Year 2006	Total	1402.80	Mean	3.84	Max	109	Min	.44	Acre-Ft	2780		
Cal Year 2005	Total	8369.51	Mean	23.0	Max	792	Min	.81	Acre-Ft	16600		

APPENDIX D

HYDROLOGIC REPORT 2005 – 2006

RUNOFF – STREAM GAGING STATION PEAK FLOW

RUNOFF – STREAM GAGING STATION PEAK FLOW

ALHAMBRA WASH *above* Klingerman Street
STATION NO. F81D-R

Season	Daily CFS			Total Runoff (Acre-feet)	Peak Inflow	
	Maximum	Minimum	Mean		Date	CFS
1929-30	N.D.	0.0	N.D.	635.0	Mar 14	1,870
1930-31	226.0	0.0	2.1	1,480	Feb 03	1,530
1931-32	220.0	0.0	2.7	1,940	Jan 31	1,120
1932-33	418.0	0.0	2.3	1,680	Jan 19	1,850
1933-34	1,770.0	0.0	8.0	5,820	Jan 01	4,890
1934-35	219.0	0.0	3.3	2,380	Jan 05	2,280
1935-36	144.0	0.0	2.0	1,420	Feb 12	1,700
1936-37	309.0	0.0	5.4	3,880	Mar 15	2,470
1937-38	997.0	0.0	7.6	5,520	Mar 02	5,010
1938-39	288.0	0.0	4.1	2,990	Jan 05	2,480
1939-40	130.0	0.0	2.4	1,730	Feb 01	1,280
1940-41	219.0	0.0	7.8	5,650	Mar 03	2,080
1941-42	193.0	0.0	2.5	1,810	Dec 10	2,320
1942-43	893.0	0.0	8.4	6,070	Mar 04	4,480
1943-44	454.0	+	5.6	4,100	Feb 22	1,860
1944-45	199.0	0.1	3.1	2,250	Nov 11	2,220
1945-46	342.0	0.1	4.1	3,000	Dec 22	1,600
1946-47	345.0	0.1	5.2	3,800	Nov 13	3,810
1947-48	155.0	0.1	2.8	2,040	Mar 24	2,670
1948-49	95.0	0.2	2.8	2,020	Dec 17	758
1949-50	254.0	0.2	4.3	3,090	Feb 06	1,630
1950-51	106.0	0.2	3.3	2,360	Jan 11	1,620
1951-52	594.0	0.2	12.5	9,040	Jan 16	3,810
1952-53	228.0	0.1	4.5	3,240	Nov 15	3,140
1953-54	369.0	0.2	5.2	3,770	Feb 13	2,410
1954-55	185.0	0.2	4.2	3,020	Jan 18	1,890
1955-56	1,100.0	0.3	7.6	5,520	Jan 26	4,550
1956-57	242.0	0.6	6.1	4,440	Feb 23	3,090
1957-58	544.0	0.3	12.8	9,270	Feb 19	4,830
1958-59	279.0	0.2	4.2	3,020	Jan 06	3,170
1959-60	200.0	0.1	3.8	2,720	Jan 11	1,710
1960-61	153.0	0.3	2.5	1,790	Nov 05	1,480

M Data Missing
 * Record incomplete
 E Estimate
 N.D. Not determined
 ** Record not Computed
 + Less than 0.05 Acre Feet or less than 0.05 CFS, but greater than 0

RUNOFF – STREAM GAGING STATION PEAK FLOW

ALHAMBRA WASH *above* Klingerman Street
STATION NO. F81D-R

Season	Daily CFS			Total Runoff (Acre-feet)	Peak Inflow	
	Maximum	Minimum	Mean		Date	CFS
1961-62	382.0	0.1	9.1	6,270	Feb 12	2,560
1962-63	359.0	0.1	4.0	2,880	Mar 16	2,210
1963-64	196.0	0.2	4.0	2,870	Jan 21	2,210
1964-65	339.0	0.1	6.4	4,610	Apr 09	3,730
1965-66	686.0	0.3	10.7	7,740	Nov 24	3,520
1966-67	662.0	0.4	12.2	8,820	Jan 22	3,550
1967-68	398.0	0.4	6.5	4,740	Mar 08	3,480
1968-69	999.0	0.4	17.0	12,300	Feb 06	3,980
1969-70	486.0	0.3	5.3	1,871	Feb 28	3,430
1970-71	648.0	0.4	7.1	2,601	Nov 29	4,040
1971-72	449.0	0.3	2.5	3,000	Dec 24	2,000
1972-73	555.0	0.3	12.6	9,110	Feb 11	4,450
1973-74	813.0	0.3	7.9	5,720	Jan 07	4,330
1974-75	429.0	0.3	5.6	4,070	Dec 04	6,000
1975-76	274.0	0.3	5.3	3,790	Feb 05	1,820
1976-77	252.0	0.3	6.0	4,340	Oct 22	1,770
1977-78	695.0	0.3	17.0	11,927	Mar 01	5,950
1978-79	836.0	0.3	10.5	7,614	Mar 27	4,484
1979-80	1,240.0	0.3	18.4	13,051	Feb 16	6,660
1980-81	196.0	0.1	5.1	3,720	Mar 19	2,750
1981-82	371.0	0.2	6.0	4,317	Mar 17	2,410
1982-83	1,050.0	0.1	17.8	12,941	Mar 01	7,010
1983-84	235.0	0.4	3.7	2,715	Dec 25	2,480
1984-85	260.0	0.3	4.9	3,543	Dec 19	3,050
1985-86	329.0	0.3	9.2	6,633	Mar 08	4,130
1986-87	177.0	0.6	3.6	2,579	Oct 02	5,670
1987-88	386.0	0.6	7.0	5,048	Dec 04	4,500
1988-89	226.0	0.9	5.2	3,570	Dec 21	1,410
1989-90	530.0	0.9	4.8	3,483	Feb 17	2,010
1990-91	452.0	0.6	7.6	5,437	Mar 01	2,700
1991-92	570.0	0.7	13.8	10,008	Feb 12	6,340
1992-93	796.0	1.0	20.5	14,810	Dec 07	5,880

M Data Missing
 * Record incomplete
 E Estimate
 N.D. Not determined
 ** Record not Computed
 + Less than 0.05 Acre Feet or less than 0.05 CFS, but greater than 0

RUNOFF – STREAM GAGING STATION PEAK FLOW

ALHAMBRA WASH *above* Klingerman Street
STATION NO. F81D-R

Season	Daily CFS			Total Runoff (Acre-feet)	Peak Inflow	
	Maximum	Minimum	Mean		Date	CFS
1993-94	260.0	0.5	7.1	5,157	Mar 24	3,000
1994-95	875.0	0.2	14.3	10,380	Mar 10	8,080
1995-96	462.0	0.4	7.0	5,071	Jan 31	8,110
1996-97	279.0	0.3	8.7	6,260	Jan 15	2,640
1997-98	727.0	0.6	20.2	14,660	Feb 06	7,770
1998-99	142.0	0.3	6.1	4,400	Nov 28	3,500
1999-00	306.0	0.4	8.5	6,170	Feb 21	4,480
2000-01	404.0	0.6	10.2	7,380	Jan 11	3,220
2001-02	325.6	0.8	7.5	5,457.4	Nov 24	6,153
2002-03	881.7	0.5	13.3	9,652.4	Mar 15	5,980
2003-04	784.9	0.3	10.0	7,538.9	Feb 26	6,030
2004-05	982.0	0.0	27.3	19,800.0	Feb 20	7,180
2005-06	469	0.73	11.9	8590	Jan 02	6098

M	Data Missing
*	Record incomplete
E	Estimate
N.D.	Not determined
**	Record not Computed
+	Less than 0.05 Acre Feet or less than 0.05 CFS, but greater than 0

RUNOFF – STREAM GAGING STATION PEAK FLOW

ARCADIA WASH *below* Grand Avenue
STATION NO. F317-R

Season	Daily CFS			Total Runoff (Acre-feet)	Peak Inflow	
	Maximum	Minimum	Mean		Date	CFS
1956-57	108.0	0.1	1.8	1,340	Feb 23	1,184
1957-58	212.0	0.1	4.6	3,330	Feb 01	1,932
1958-59	127.0	0.2	1.9	1,360	Jan 06	1,270
1959-60	101.0	0.3	1.7	1,220	Apr 27	593
1960-61	69.0	+	1.1	831.0	Nov 05	570
1961-62	408.0	0.1	4.7	3,400	Feb 11	1,480
1962-63	153.0	0.2	2.1	1,510	Feb 09	600
1963-64	120.0	0.1	2.2	1,620	Nov 20	1,340
1964-65	153.0	0.1	3.1	2,270	Apr 09	1,460
1965-66	267.0	0.1	4.7	3,430	Dec 29	1,270
1966-67	283.0	0.3	6.3	4,560	Jan 22	1,260
1967-68	M	M	M	M		M
1968-69	M	M	M	M		M
1969-70	M	M	M	M		M
1970-71	M	M	M	M		M
1971-72	M	M	M	M		M
1972-73	M	M	M	M		M
1973-74	279.0	0.3	4.0	2,910	Jan 07	931
1974-75	207.0	0.3	3.2	2,290	Dec 04	2,560
1975-76	167.0	0.3	3.6	2,600	Sep 11	1,400
1976-77	119.0	0.2	2.9	2,121	Oct 23	1,320
1977-78	355.0	0.2	9.4	6,823	Feb 10	4,110
1978-79	128.0	0.2	4.5	3,263	Mar 27	1,290
1979-80	633.0	0.0	9.9	7,025	Jan 29	3,280
1980-81	104.0	0.4	2.8	1,991	Jan 29	1,050
1981-82	208.0	0.4	4.3	3,137	Mar 17	2,470
1982-83	435.0	0.4	10.8	7,824	Mar 01	4,110
1983-84	121.0	0.0	3.2	2,354	Oct 01	1,430
1984-85	137.0	0.1	4.7	3,399	Dec 19	1,420
1985-86	211.0	0.0	8.4	6,116	Mar 08	1,760
1986-87	172.0	0.1	3.5	2,530	Oct 02	2,410
1987-88	284.0	0.1	5.4	3,915	Jan 17	4,360
1988-89	114.0	0.1	3.7	2,521	Dec 21	507

M Data Missing
 * Record incomplete
 E Estimate
 N.D. Not determined
 ** Record not Computed
 + Less than 0.05 Acre Feet or less than 0.05 CFS, but greater than 0

RUNOFF – STREAM GAGING STATION PEAK FLOW

ARCADIA WASH *below* Grand Avenue
STATION NO. F317-R

Season	Daily CFS			Total Runoff (Acre-feet)	Peak Inflow	
	Maximum	Minimum	Mean		Date	CFS
1989-90	728.0	0.1	3.5	2,505	Apr 17	1,330
1990-91	228.0	0.1	5.0	3,598	Feb 28	2,120
1991-92	301.0	0.1	11.1	8,043	Feb 12	3,190
1992-93	586.0	0.3	17.3	12,560	Jan 17	2,720
1993-94	239.0	0.0	6.4	4,661	Mar 19	1,360
1994-95	480.0	0.1	11.1	8,032	Mar 11	2,740
1995-96	405.0	0.4	5.2	3,764	Feb 20	1,560
1996-97	206.0	0.5	6.3	4,540	Jan 26	1,430
1997-98	489.0	0.6	13.3	9,640	Feb 06	2,850
1998-99	151.0	0.5	4.2	3,020	Jan 26	1,040
1999-00	162.0	0.1	4.3	3,150	Feb 21	1,750
2000-01	240.0	0.2	6.0	4,320	Jan 11	1,380
2001-02	161.3	0.6	2.6	1,904.0	Nov 24	2,712
2002-03	0.0	0.0	6.5	0.0	Mar 15	2,120
2003-04	319.8	0.5	4.5	3,272.4	Feb 26	2,660
2004-05	558.0	0.3	16.6	12,000.0	Oct 20	3,680
2005-06	230	0.14	5.76	4170	Jan 02	3005

M	Data Missing
*	Record incomplete
E	Estimate
N.D.	Not determined
**	Record not Computed
+	Less than 0.05 Acre Feet or less than 0.05 CFS, but greater than 0

RUNOFF – STREAM GAGING STATION PEAK FLOW

ARROYO SECO *below* Devil's Gate Dam
 STATION NO. F277-R

Season	Daily CFS			Total Runoff (Acre-feet)	Peak Inflow	
	Maximum	Minimum	Mean		Date	CFS
1942-43	3,190.0	0.0	33.4	23,895.5	Jan 23	5,640
1943-44	965.0	0.0	12.4	8,316.1	Feb 20	1,540
1944-45	187.0	0.1	3.7	2,559.5	Mar 15	610
1945-46	272.0	0.0	2.2	1,598.5	Dec 23	445
1946-47	410.0	0.0	5.7	4,147.7	Dec 27	610
1947-48	1.6	0.0	0.1	51.8		2
1948-49	1.3	0.0	0.0	17.7	Jun 13	2
1949-50	21.0	0.0	0.1	70.0	Nov 10	106
1950-51	0.3	0.0	0.0	1.4	Sep 04	26
1951-52	788.0	0.0	15.5	11,462.3	Jan 18	999
1952-53	11.8	0.0	0.1	77.0	Jan 11	25
1953-54	70.0	0.0	0.9	622.4	Jan 25	127
1954-55	1.7	0.0	0.3	195.4	Apr 30	14
1955-56	327.0	0.0	2.0	1,472.9	Jan 27	411
1956-57	5.8	0.0	0.3	234.0	Oct 04	124
1957-58	351.0	0.0	10.9	7,647.9	Feb 04	546
1958-59	129.0	0.0	0.7	482.0	Feb 16	156
1959-60	1.6	0.0	0.4	261.0	Jan 11	7
1960-61	70.0	0.0	0.6	434.6	Nov 25	360
1961-62	544.0	0.0	7.4	5,003.7	Feb 11	891
1962-63	12.0	0.0	0.5	371.6	Jun 21	51
1963-64	41.0	0.0	0.4	307.7	Jun 26	214
1964-65	28.0	0.0	0.4	312.7	Jul 12	128
1965-66	1,683.0	0.0	18.5	13,337.3	Nov 23	2,110
1966-67	858.0	0.0	9.4	6,902.7	Dec 06	1,620
1967-68	N.D.					
1968-69	N.D.					
1969-70	N.D.					
1970-71	N.D.					
1971-72	N.D.					
1972-73	N.D.					
1973-74	N.D.					
1974-75	48.0	0.0	0.9	688.7	Apr 01	1,225

M Data Missing
 * Record incomplete
 E Estimate
 N.D. Not determined
 ** Record not Computed
 + Less than 0.05 Acre Feet or less than 0.05 CFS, but greater than 0

RUNOFF – STREAM GAGING STATION PEAK FLOW

ARROYO SECO *below* Devil's Gate Dam
STATION NO. F277-R

Season	Daily CFS			Total Runoff (Acre-feet)	Peak Inflow	
	Maximum	Minimum	Mean		Date	CFS
1975-76	281.0	0.0	1.8	1,289.1	Sep 11	1,040
1976-77	175.0	0.0	2.9	2,093.6	May 09	450
1977-78	1,670.0	0.0	43.9	31,799.4	Mar 04	5,790
1978-79	177.0	0.0	6.5	4,692.3	Feb 21	321
1979-80	3,156.0	0.0	41.1	28,630.2	Feb 17	4,844
1980-81	84.0	0.0	3.1	2,266.3	Mar 24	314
1981-82	934.0	0.0	9.1	6,619.8	Mar 18	1,276
1982-83	2,700.0	0.1	37.4	27,062.5	Mar 02	3,260
1983-84	100.0	0.0	1.5	1,074.6	Dec 01	526
1984-85	250.0	0.0	2.4	1,754.4	Dec 21	873
1985-86	109.0	0.0	4.0	2,876.8	Mar 15	349
1986-87	N.D.					
1987-88	124.0	0.0	0.0	0.0		
1988-89	52.3	0.0	1.5	1,042.1	Feb 09	52
1989-90	11.8	0.0	72.4	284.8		
1990-91	572.0	0.0	7.0	506.4		
1991-92	3,530.0	0.0	44.6	32,380.2	Feb 11	5,970
1992-93	403M	1.3M	8.8M	3210.05M		M
1993-94	84.4	0.1	2.5	1,842.1	Mar 23	1,330
1994-95	505.0	0.0	33.9	24,565.9	Feb 13	691
1995-96	408.0	0.0	4.7	3,443.1	Feb 21	477
1996-97	77.0	0.0	2.3	1,678.9	Jan 15	362
1997-98	164.0	0.0	14.0	10116.63E		N.D.
1998-99	16E	0.0	0.6	455.25E		N.D.
1999-00	325E	0.0	4.3	3090E		N.D.
2000-01	620E	0.0	16.2	11760E		N.D.
2004-05	8,110.0	0.4	185.0	125,000.0	Jan 09	11,700
2005-06	826	2	15.4	11140	Feb 28	2172

M	Data Missing
*	Record incomplete
E	Estimate
N.D.	Not determined
**	Record not Computed
+	Less than 0.05 Acre Feet or less than 0.05 CFS, but greater than 0

RUNOFF – STREAM GAGING STATION PEAK FLOW

AZUSA CONDUIT (sandbox 10ft weir)
 STATION NO. F220B-R

Season	Daily CFS			Total Runoff (Acre-feet)	Peak Inflow	
	Maximum	Minimum	Mean		Date	CFS
1932-33	92.4	0.0	27.5	17,043.0		
1933-34	86.0	0.0	27.3	19,770.0		
1934-35	94.0	6.2	64.3	46,570.0		
1935-36	86.0	9.1	40.7	29,500.0		
1936-37	93.0	+	29.0	21,030.0		
1937-38	94.0	+	16.4	11,910.0		
1938-39	0.0	0.0	0.0	0.0		
1939-40	90.0	+	32.7	23,760.0		
1940-41	89.0	+	23.2	16,820.0		
1941-42	91.0	+	53.0	38,360.0		
1942-43	94.0	0.1	36.6	26,510.0		
1943-44	94.0	+	56.9	41,310.0		
1944-45	96.0	+	59.2	42,910.0		
1945-46	92.0	+	55.0	39,820.0		
1946-47	92.0	0.1	64.7	46,900.0		
1947-48	60.0	+	34.4	24,960.0		
1948-49	70.0	0.1	24.0	17,380.0		
1949-50	82.0	19.0	37.5	27,140.0		
1950-51	70.0	0.0	11.5	8,310.0		
1951-52	91.0	0.0	65.2	47,300.0		
1952-53	89.0	+	43.7	31,680.0		
1953-54	89.0	+	38.8	28,090.0		
1954-55	85.0	30.0	50.6	36,600.0		
1955-56	86.0	14.8	49.0	35,580.0		
1956-57	86.0	0.0	36.8	26,670.0		
1957-58	87.0	0.0	27.8	20,140.0		
1958-59	89.0	12.4	49.4	35,730.0		
1959-60	50.0	5.3	24.6	17,850.0		
1960-61	45.0	0.0	12.2	8,820.0		
1961-62	86.0	0.0	57.4	41,570.0		
1962-63	83.0	0.0	33.0	23,930.0		
1963-64	48.0	8.0	31.0	22,490.0		
1964-65D	81.0	0.1	35.8	25,900.0		

M Data Missing
 * Record incomplete
 E Estimate
 N.D. Not determined
 ** Record not Computed
 + Less than 0.05 Acre Feet or less than 0.05 CFS, but greater than 0

RUNOFF – STREAM GAGING STATION PEAK FLOW

AZUSA CONDUIT (sandbox 10ft weir)
 STATION NO. F220B-R

Season	Daily CFS			Total Runoff (Acre-feet)	Peak Inflow	
	Maximum	Minimum	Mean		Date	CFS
1965-66D	83.0	0.0	35.7	25,840.0		
1966-67B	84.0	0.0	41.8	30,250.0		
1967-68	82.0	+	50.3	36,480.0		
1968-69	54.0	0.0	1.1	777.0		
1969-70	61.0	0.0	5.4	3,920.0		
1970-71	75.0	0.0	42.4	30,710.0		
1971-72	70.0	0.0	25.6	18,590.0		
1972-73	76.0	0.0	19.0	13,656.4		
1973-74	82.0	0.0	62.2	44,943.1		
1974-75	78.0	0.0	54.4	39,380.8		
1975-76	76.9	0.9	46.1	33,590.5		
1976-77	70.7	1.1	40.7	29,491.0		
1977-78	N.D.					
1978-79	N.D.					
1979-80	N.D.					
1980-81	N.D.					
1981-82	N.D.					
1982-83*	*	*	*	*		
1983-84	N.D.					
1984-85	N.D.					
1985-86	N.D.					
1986-87	N.D.					
1987-88	N.D.					
1988-89	845.0	0.0	47.0	34,048.7	Dec 06	86
1989-90	N.D.					
1990-91	N.D.					
1991-92	N.D.					
1992-93*	84*	12.9*	63.1*	14650*		
1993-94	N.D.					
1994-95	N.D.					
1995-96	N.D.					
1996-97	N.D.					
1997-98	79.0	0.0	46.8	33,850.0	Jul 26	91

M Data Missing
 * Record incomplete
 E Estimate
 N.D. Not determined
 ** Record not Computed
 + Less than 0.05 Acre Feet or less than 0.05 CFS, but greater than 0

RUNOFF – STREAM GAGING STATION PEAK FLOW

AZUSA CONDUIT (sandbox 10ft weir)
 STATION NO. F220B-R

Season	Daily CFS			Total Runoff (Acre-feet)	Peak Inflow	
	Maximum	Minimum	Mean		Date	CFS
1998-99	74.0	0.0	64.2	46,450.0	Nov 27	85
1999-00	72.0	0.0	38.0	27,600.0	Jul 03	77
2000-01	73.0	0.0	44.5	32,200.0	Jul 14	76
2001-02	53.7	0.1	18.1	13,131.4	Nov 19	55
2002-03	17.5	0.0	0.4	320.6	Apr 08	29
2003-04	43.6	0.0	15.0	10,545.1	Nov 25	65
2004-05	57.0	0.0	11.4	8,250.0	Apr 28	85
2005-06	60	0.0	13.3	9560	Apr 18	80

M	Data Missing
*	Record incomplete
E	Estimate
N.D.	Not determined
**	Record not Computed
+	Less than 0.05 Acre Feet or less than 0.05 CFS, but greater than 0

RUNOFF – STREAM GAGING STATION PEAK FLOW

AZUSA CONDUIT (Sandbox 20' weir)
STATION NO. F250-R

Season	Daily CFS			Total Runoff (Acre-feet)	Peak Inflow	
	Maximum	Minimum	Mean		Date	CFS
1934-35	116.0*	26.1*	81.0	36,610*		
1935-36	109.0	0.0	42.1	30,540		
1936-37	94.0	0.0	27.3	19,740		
1937-38	104.0	0.0	15.4	11,160		
1938-39	103.0	0.0	5.9	4,280		
1939-40	94.0	0.0	47.4	34,440		
1940-41	110.0	0.0	23.8	17,220		
1941-42	92.0	0.0	23.8	39,940		
1942-43	106.0	0.0	44.6	32,250		
1943-44	97.0	0.0	59.3	43,050		
1944-45	142.0	0.0	81.5	59,050		
1945-46	139.0	0.0	66.3	47,930		
1946-47	138.0	0.0	73.2	52,990		
1947-48	60.0	0.0	36.9	26,830		
1948-49	70.0	0.0	25.0	18,120		
1949-50	82.0	20.0	37.4	27,060		
1950-51	70.0	0.0	11.9	8,610		
1951-52	96.0	0.0	65.3	47,400		
1952-53	89.0	0.0	43.7	31,660		
1953-54	90.0	0.0	38.8	28,070		
1954-55	84.0	30.0	50.6	36,610		
1955-56	86.0	14.7	49.0	35,580		
1956-57	86.0	0.0	36.7	26,670		
1957-58	103.0	0.0	29.7	21,500		
1958-59	90.0	12.3	49.2	35,620		
1959-60	50.0	5.1	24.6	17,840		
1960-61	45.0	0.0	12.2	8,830		
1961-62	86.0	0.0	57.1	41,330		
1962-63	82.0	0.1	33.9	24,550		
1963-64	48.0	8.0	31.0	22,490		
1964-65	81.0	0.1	35.8	25,900		
1965-66	83.0	0.0	35.7	25,840		
1966-67	100.0	0.0	52.7	38,130		

M Data Missing
 * Record incomplete
 E Estimate
 N.D. Not determined
 ** Record not Computed
 + Less than 0.05 Acre Feet or less than 0.05 CFS, but greater than 0

RUNOFF – STREAM GAGING STATION PEAK FLOW

AZUSA CONDUIT (Sandbox 20' weir)
STATION NO. F250-R

Season	Daily CFS			Total Runoff (Acre-feet)	Peak Inflow	
	Maximum	Minimum	Mean		Date	CFS
1967-68	82.0	15.0	60.4	43,810		
1968-69	32.0	0.0	8.8	6,380		
1969-70	M	M	M	M		
1970-71	M	M	M	M		
1971-72	M	M	M	M		
1972-73	M	M	M	M		
1973-74	M	M	M	M		
1974-75	78.0	0.0	54.4	39,389	Oct 01	78
1975-76	76.9	0.9	45.9	33,347	Sep 30	145
1976-77	M	M	M	M		
1977-78	78.2	0.0	1.5	33,240		85
1978-79	105.0	49.1	72.2	52,249	Jul 02	106
1979-80	101.0	1.5	39.8	28,882	Jul 29	105
1980-81	99.3	0.0	53.7	38,894	Mar 16	105
1981-82	80.7	24.3	55.7	40,319		82
1982-83	84.6	34.1	2.3	50,283	Mar 04	98
1983-84	79.4	0.0	1.5	33,803	Feb 06	86
1984-85	*	*	*	*		N.D.
1985-86	80.7	0.0	56.0	40,696		
1986-87	44.9	0.0	29.2	21,124	Jan 08	47
1987-88	79.4	0.2	35.5	25,806	Sep 29	52
1988-89	85.2	0.0	46.6	33,739		
1989-90	34.8	0.0	21.9	15,863	Jul 16	35
1990-91	79.4	3.0	28.4	20,280	Sep 28	79
1991-92	82.6	0.0	52.0	37,764	Apr 29	101
1992-93	84.0	0.0	49.7	36,010	Feb 12	97
1993-94	82.2	0.0	58.5	42,340	Oct 25	89
1994-95	83.9	0.0	59.9	43,350	Feb 19	86
1995-96	76.6	0.0	55.4	40,190	Nov 06	90
1996-97	82.0	0.0	59.2	42,880	Jan 26	84
1997-98	83.0	0.0	51.3	37,140	Jul 04	109
1998-99	139.0	0.0	69.4	50,240	Nov 20	142
1999-00	73.0	0.0	38.0	27,610	Oct 01	76

M Data Missing
 * Record incomplete
 E Estimate
 N.D. Not determined
 ** Record not Computed
 + Less than 0.05 Acre Feet or less than 0.05 CFS, but greater than 0

RUNOFF – STREAM GAGING STATION PEAK FLOW

AZUSA CONDUIT (Sandbox 20' weir)
 STATION NO. F250-R

Season	Daily CFS			Total Runoff (Acre-feet)	Peak Inflow	
	Maximum	Minimum	Mean		Date	CFS
2000-01	87.0	0.0	46.5	33,640	Jul 06	90
2001-02	54.6	0.1	18.1	13,134.4	Nov 24	59
2002-03	85.9	0.0	17.6	19,987.7	Mar 27	94
2003-04	0.0	0.0	26.0	0.0	May 12	110
2004-05	83.0	0.0	30.7	22,200.0	Apr 28	130
2005-06	124	0.0	32.8	23710	Apr 17	127

M	Data Missing
*	Record incomplete
E	Estimate
N.D.	Not determined
**	Record not Computed
+	Less than 0.05 Acre Feet or less than 0.05 CFS, but greater than 0

RUNOFF – STREAM GAGING STATION PEAK FLOW

**BALLONA CREEK *above* Sawtelle Blvd.
STATION NO. F38C-R**

Season	Daily CFS			Total Runoff (Acre-feet)	Peak Inflow	
	Maximum	Minimum	Mean		Date	CFS
1927-28	N.D.	0.0	N.D.	3,930	May 08	1,100
1928-29	1,150.0	0.0	20.6	14,900	Mar 10	4,990
1929-30	1,130.0	0.0	18.6	13,480	Jan 11	4,460
1930-31	1,500.0	0.0	25.6	18,520	Apr 26	6,280
1931-32	1,780.0	0.0	30.0	21,790	Dec 28	6,130
1932-33	1,660.0	0.0	21.8	15,810	Jan 19	7,000
1933-34	4,310.0	0.0	28.5	20,630	Jan 01	11,300
1934-35	2,190.0	0.0	34.4	24,870	Apr 08	11,200
1935-36	929.0	0.0	19.3	13,500	Feb 12	8,070
1936-37	2,160.0	0.0	56.2	40,680	Dec 30	8,940
1937-38	7,330.0	3.6	72.5	52,500	Mar 02	19,000
1938-39	3,080.0	1.8	39.4	28,490	Dec 17	9,900
1939-40	1,270.0	1.3	29.1	21,110	Feb 03	9,730
1940-41	2,680.0	3.1	93.0	67,360	Dec 23	17,300
1941-42	990.0	2.8	23.8	17,250	Dec 10	7,500
1942-43	4,840.0	2.6	47.3	34,240	Jan 22	13,200
1943-44	3,010.0	3.4	45.4	33,000	Feb 22	8,800
1944-45	1,200.0	3.0	33.8	24,450	Nov 11	9,380
1945-46	1,830.0	3.8	25.4	18,380	Dec 22	7,750
1946-47	1,960.0	2.8	36.3	26,300	Dec 25	9,630
1947-48	1,000.0	3.5	18.8	13,630	Mar 24	12,700
1948-49	668.0	2.8	22.2	16,090	Feb 07	5,740
1949-50	1,620.0	1.4	32.1	23,250	Feb 06	7,670
1950-51	756.0	0.7	26.1	18,860	Jan 10	5,460
1951-52	2,520.0	3.5	73.5	53,350	Jan 16	12,800
1952-53	1,140.0	4.8	27.5	19,910	Nov 15	11,500
1953-54	3,570.0	5.4	39.3	28,480	Feb 13	18,900
1954-55	1,210.0	5.4	29.8	21,600	Jan 18	9,370
1955-56	6,510.0	5.2	44.7	34,590	Jan 26	18,700
1956-57	1,790.0	6.3	30.7	22,240	Feb 23	13,900
1957-58	3,000.0	6.3	59.4	43,040	Feb 19	15,200
1958-59	1,210.0	4.2	19.0	13,730	Jan 06	8,170

M	Data Missing
*	Record incomplete
E	Estimate
N.D.	Not determined
**	Record not Computed
+	Less than 0.05 Acre Feet or less than 0.05 CFS, but greater than 0

RUNOFF – STREAM GAGING STATION PEAK FLOW

**BALLONA CREEK *above* Sawtelle Blvd.
STATION NO. F38C-R**

Season	Daily CFS			Total Runoff (Acre-feet)	Peak Inflow	
	Maximum	Minimum	Mean		Date	CFS
1959-60	1,290.0	2.2	23.7	17,190	Jan 11	12,500
1960-61	945.0	4.2	17.3	12,560	Nov 05	7,700
1961-62	3,490.0	3.2	69.2	50,090	Feb 19	12,900
1962-63	1,940.0	3.2	29.6	21,450	Mar 16	12,100
1963-64	789.0	3.9	24.8	18,000	Jan 22	6,420
1964-65	1,590.0	3.9	38.0	27,540	Apr 09	17,600
1965-66	3,620.0	5.3	61.5	44,540	Nov 22	18,000
1966-67	3,020.0	6.7	62.1	45,300	Nov 07	13,900
1967-68	6,350.0	8.2	55.9	40,570	Nov 21	32,500
1968-69	4,840.0	8.2	101.0	73,060	Jan 25	17,000
1969-70	1,380.0	7.6	30.7	22,230	Feb 28	1,380
1970-71	3,170.0	8.8	50.8	35,620	Nov 29	14,600
1971-72	1,900.0	7.6	31.3	22,700	Dec 24	11,100
1972-73	2,590.0	8.8	65.9	47,730	Jan 16	17,600
1973-74	3,510.0	8.8	56.8	41,060	Jan 07	11,000
1974-75	2,490.0	6.2	47.8	34,590	Dec 04	20,560
1975-76	1,390.0	6.2	30.6	22,230	Sep 10	12,940
1976-77	1,760.0	4.6	38.6	27,930	Oct 23	10,173
1977-78	4,441.0	4.2	112.8	81,659	Feb 10	28,088
1978-79	2,220.0	6.6	60.3	43,680	Mar 27	9,710
1979-80	4,630.0	6.2	99.2	70,454	Feb 15	27,000
1980-81	1,090.0	6.6	27.8	20,111	Mar 02	7,300
1981-82	1,380.0	5.8	41.3	29,922	Apr 01	8,110
1982-83	5,690.0	8.2	119.0	86,347	Mar 01	23,100
1983-84	1,440.0	10.0	36.7	26,672		N.D.
1984-85	1,810.0	8.2	38.3	27,714	Feb 09	9,670
1985-86	2,750.0	8.8	67.7	49,043	Feb 14	17,200
1986-87	752.0	7.6	19.4	13,986		N.D.
1987-88	2,920.0	5.0	57.5	41,772	Dec 04	13,400
1988-89	941.0	7.6	1.3	27,763	Dec 17	3,580
1989-90	3,140.0	7.6	32.3	23,364	Feb 17	8,090
1990-91	2,150.0	3.0	37.5	27,133	Mar 19	10,800

M	Data Missing
*	Record incomplete
E	Estimate
N.D.	Not determined
**	Record not Computed
+	Less than 0.05 Acre Feet or less than 0.05 CFS, but greater than 0

RUNOFF – STREAM GAGING STATION PEAK FLOW

**BALLONA CREEK *above* Sawtelle Blvd.
STATION NO. F38C-R**

Season	Daily CFS			Total Runoff (Acre-feet)	Peak Inflow	
	Maximum	Minimum	Mean		Date	CFS
1991-92	2,490.0	7.0	62.3	45,191	Feb 12	17,200
1992-93	*	*	*	*		*
1993-94	1,450.0	9.7	38.9	28,150	Feb 07	14,400
1994-95	4,680.0	9.4	103.0	74,450	Mar 10	24,000
1995-96	2,930.0	12.0	53.4	38,740	Jan 31	8,230
1996-97	1,830.0	9.7	54.8	39,670	Dec 09	9,890
1997-98	3,040.0	8.3	111.0	80,630	Feb 06	22,900
1998-99	1,260.0	10.0	41.7	30,160	Jan 31	6,150
1999-00	1,690.0	7.8	61.2	44,450	Feb 21	12,500
2000-01	2,540.0	7.9	86.4	62,520	Jan 11	19,400
2001-02	1,128.1	9.8	36.9	26,697.9	Nov 24	12,167
2002-03	4,057.6	7.6	76.1	55,088.2	Mar 15	17,100
2003-04	2,041.8	8.2	49.0	35,410.7	Feb 25	15,000
2004-05	5,230.0	16.0	182.0	132,000.0	Dec 29	16,500
2005-06	2300	22	89.8	65010	Jan 02	11250

M	Data Missing
*	Record incomplete
E	Estimate
N.D.	Not determined
**	Record not Computed
+	Less than 0.05 Acre Feet or less than 0.05 CFS, but greater than 0

RUNOFF – STREAM GAGING STATION PEAK FLOW

**BIG DALTON CREEK *below* Big Dalton Dam
STATION NO. F120B-R**

Season	Daily CFS			Total Runoff (Acre-feet)	Peak Inflow	
	Maximum	Minimum	Mean		Date	CFS
1939-40	1.3	0.0	0.3	206.5		
1940-41	66.0	0.0	4.0	2,888.7	Mar 05	67
1941-42	2.8	0.0	0.3	234.9		
1942-43	103.0	0.0	4.4	3,181.5	Mar 04	111
1943-44	35.0	0.0	1.7	1,159.5	Feb 23	56
1944-45	13.2	0.0	1.2	840.4	Mar 15	34
1945-46	5.0	0.0	0.8	549.1	Dec 23	34
1946-47	11.0	0.0	0.8	545.9	Oct 03	30
1947-48	2.6	0.0	0.0	15.3	Feb 05	20
1948-49	7.4	0.0	0.1	99.8	Dec 18	25
1949-50	8.7	0.0	0.2	122.0	Jan 21	11
1950-51	1.9	0.0	0.0	14.5	Jan 11	10
1951-52	33.0	0.0	2.2	1,607.4	Jan 19	34
1952-53	7.0	0.0	0.1	106.9	Jan 15	38
1953-54	8.6	0.0	0.5	363.0	Feb 15	9
1954-55	3.5	0.0	0.0	7.3	Oct 01	7
1955-56	25.0	0.0	0.3	222.1	Aug 08	37
1956-57	11.5	0.0	0.0	22.8	Nov 09	18
1957-58	28.0	0.0	3.0	2,144.7	Apr 05	37
1958-59	15.0	0.0	0.2	138.8	Apr 13	31
1959-60	1.7	0.0	0.0	10.1	Jul 21	5
1960-61	14.3	0.0	0.2	166.2	Nov 14	37
1961-62	25.0	0.0	1.4	1,001.7	Feb 17	25
1962-63	18.3	0.0	0.2	162.2	Oct 08	35
1963-64	18.0	0.0	0.4	295.9	Jan 22	2
1964-65	19.5	0.0	0.3	220.4	Apr 26	20
1965-66	32.0	0.0	2.8	1,996.6	Nov 22	52
1966-67	216.0	0.0	6.7	4,839.9	Dec 06	615
1967-68	N.D.					
1968-69	N.D.					
1969-70	N.D.					
1970-71	N.D.					

M Data Missing
 * Record incomplete
 E Estimate
 N.D. Not determined
 ** Record not Computed
 + Less than 0.05 Acre Feet or less than 0.05 CFS, but greater than 0

RUNOFF – STREAM GAGING STATION PEAK FLOW

BIG DALTON CREEK *below* Big Dalton Dam
STATION NO. F120B-R

Season	Daily CFS			Total Runoff (Acre-feet)	Peak Inflow	
	Maximum	Minimum	Mean		Date	CFS
1971-72	N.D.					
1972-73	N.D.					
1973-74	N.D.					
1974-75	11.1	0.0	0.4	295.5	May 06	125
1975-76	12.5	0.0	0.7	487.7	Jun 08	19
1976-77	0.8	0.0	0.0	21.4	Apr 12	2
1977-78	226.0	0.0	0.3	6,185.5	Mar 05	263
1978-79	16.5	0.0	0.1	1,735.3	Apr 12	1,735
1979-80	564.0	0.1	0.3	7,435.8	Feb 17	1,170
1980-81	4.8	0.0	0.5	361.2	Jan 29	22
1981-82	21.7	0.0	1.2	903.1	Mar 25	22
1982-83	268.0	0.1	7.6	5,466.2	Mar 01	457
1983-84	6.7	0.0	0.0	705.3	Dec 25	8
1984-85	7.9	0.0	0.8	585.1	Dec 19	11
1985-86	16.1	0.0	1.2	855.1	Mar 19	18
1986-87	5.1	0.0	0.2	214.2	Jan 27	7
1987-88	7.7	0.0	0.6	444.3	Sep 12	9
1988-89	10.3	0.0	0.5	363.6	Feb 15	17
1989-90	4.7	0.0	0.1	68.6	Jan 26	5
1990-91	10.9	0.0	0.6	454.8	Mar 28	11
1991-92	19.9	0.0	1.6	1,161.0	Feb 19	22
1992-93	311.0	0.0	9.9	7,136.0	Jan 16	415
1993-94	10.1	0.0	0.4	296.0	Apr 06	13
1994-95	99.1	0.0	5.7	3,814.0	Feb 23	146
1995-96	28.0	0.0	1.7	1,251.0	Feb 22	71
1996-97	18.0	0.0	1.5	1,100.0	Jan 27	19
1997-98	183.0	0.0	6.5	4,700.0	Feb 23	539
1998-99	459.0	0.0	2.7	1,970.0	Oct 14	1,300
1999-00	10.0	0.0	0.3	241.0	Mar 27	11
2000-01	10.0	0.0	0.4	320.0	Sep 27	20
2001-02	0.6	0.0	0.0	26.6	Dec 14	2
2002-03	15.2	0.0	0.8	565.3	May 03	79
2003-04	16.3	0.0	0.9	625.7	Mar 02	25

M Data Missing
 * Record incomplete
 E Estimate
 N.D. Not determined
 ** Record not Computed
 + Less than 0.05 Acre Feet or less than 0.05 CFS, but greater than 0

RUNOFF – STREAM GAGING STATION PEAK FLOW

BIG DALTON CREEK *below* Big Dalton Dam
STATION NO. F120B-R

Season	Daily CFS			Total Runoff (Acre-feet)	Peak Inflow	
	Maximum	Minimum	Mean		Date	CFS
2004-05	467.0	0.1	10.2	7,350.0	Jan 09	1188
2005-06	13	0.1	1.9	1380	Dec 07	146

M	Data Missing
*	Record incomplete
E	Estimate
N.D.	Not determined
**	Record not Computed
+	Less than 0.05 Acre Feet or less than 0.05 CFS, but greater than 0

RUNOFF – STREAM GAGING STATION PEAK FLOW

BIG ROCK CREEK *upstream from* Pallet Creek
STATION NO. F394-R

Season	Daily CFS			Total Runoff (Acre-feet)	Peak Inflow	
	Maximum	Minimum	Mean		Date	CFS
1986-87	39.2	0.1	4.2	3,064.9	Mar 06	45
1987-88	82.7	0.0	8.8	6,422.3		
1988-89	12.6	2.0	4.7	3,547.0		
1989-90	3.5	0.3	2.0	1,323.0		
1990-91	26.6	0.0	4.1	4,003.0		
1991-92	94.7	1.2	24.6	17,879.8	Feb 11	93
1992-93*	151.0	8.5	55.9	28,728.8		
1993-94*	27.7	3.3	10.3	6,828.3		
1994-95*	4,500.0	2.6	57.3	36,513.1		
1995-96	1,510.0	2.1	15.6	11,296.9	Feb 21	6,020
1996-97*	204.0	0.7	7.2	5,186.5	Dec 09	2,750
1997-98	2,900.0	0.5	48.6	35,210.4	Feb 23	13,900
1998-99	18.0	1.0	4.4	3,189.6	Nov 28	57
1999-00*	330.0	0.5	3.9	2,853.9	Feb 20	3,450
2000-01	36.0	0.9	9.0	6,540.0	Jan 11	68
2001-02	0.5	0.1	0.3		Sep 04	1
2002-03	0.0	0.0	8.3	0.0	Feb 12	1,230
2003-04	105.0	104.0	4.9	3,580.0	Feb 26	410
2004-05	1,600.0	2.0	93.7	67,670.0	Jan 09	2,800
2005-06	195	5.8	21.9	10950	Feb 28	549

M	Data Missing
*	Record incomplete
E	Estimate
N.D.	Not determined
**	Record not Computed
+	Less than 0.05 Acre Feet or less than 0.05 CFS, but greater than 0

RUNOFF – STREAM GAGING STATION PEAK FLOW

BIG TUJUNGA CREEK *below* Big Tujunga Dam
STATION NO. F168-R

Season	Daily CFS			Total Runoff (Acre-feet)	Peak Inflow	
	Maximum	Minimum	Mean		Date	CFS
1932-33	14.9	0.5	6.2	4,491.7	Jan 19	58
1933-34	15.4	0.2	5.9	4,295.0	Jan 01	44
1934-35	339.0	0.6	14.9	10,766.1	Apr 28	547
1935-36	44.0	0.2	7.5	5,469.0	Nov 18	101
1936-37	385.4	0.1	36.4	25,852.8	Feb 16	385
1937-38	107.0	0.0	13.1	9,605.0	Mar 02	33,000
1938-39	263.0	0.7	12.5	9,095.0	Dec 23	424
1939-40	285.0	0.2	10.0	7,202.4	Jan 08	747
1940-41	1,080.0	0.2	82.8	59,098.9	Feb 21	1,590
1941-42	47.0	0.0	10.6	7,722.0	Dec 31	47
1942-43	6,640.0	0.2	72.9	52,911.9	Jan 23	17,700
1943-44	2,300.0	0.3	57.9	41,721.7	Feb 22	3,310
1944-45	221.0	0.8	17.2	12,231.5	Nov 13	300
1945-46	491.0	0.0	17.0	12,404.0	Mar 30	983
1946-47	460.0	0.7	17.7	12,827.5		
1947-48	28.0	0.4	4.9	3,579.0	Jul 15	54
1948-49	4.5	0.1	2.3	1,648.5	Aug 31	5
1949-50	5.4	0.2	2.6	1,909.5	Jul 02	5
1950-51	12.0	0.2	1.7	1,236.7	Aug 22	15
1951-52	1,040.0	0.5	35.9	26,232.0	Jan 18	1,860
1952-53	51.0	0.1	6.5	4,725.8	Sep 22	86
1953-54	128.0	0.2	7.4	5,341.3	Mar 01	158
1954-55	15.5	0.1	3.2	2,287.3	Oct 03	18
1955-56	135.0	0.1	4.6	3,403.6	Jan 26	148
1956-57	8.6	0.0	2.3	1,650.0	May 22	43
1957-58	1,120.0	0.0	38.6	27,543.3	Apr 04	1,320
1958-59	116.0	0.2	4.5	3,184.9	Feb 16	124
1959-60	6.5	0.0	2.2	1,612.6	Jun 02	7
1960-61	4.6	0.0	1.0	697.2	Nov 08	11
1961-62	1,680.0	0.0	24.7	16,857.1	Feb 11	3,700
1962-63	7.5	0.0	1.8	1,301.8	Feb 09	13
1963-64	12.5	0.0	2.6	1,914.4	Aug 26	51

M Data Missing
 * Record incomplete
 E Estimate
 N.D. Not determined
 ** Record not Computed
 + Less than 0.05 Acre Feet or less than 0.05 CFS, but greater than 0

RUNOFF – STREAM GAGING STATION PEAK FLOW

**BIG TUJUNGA CREEK *below* Big Tujunga Dam
STATION NO. F168-R**

Season	Daily CFS			Total Runoff (Acre-feet)	Peak Inflow	
	Maximum	Minimum	Mean		Date	CFS
1964-65	7.8	0.0	2.1	1,495.3	May 10	12
1965-66	2,110.0	0.0	41.2	29,824.9	Nov 22	2,910
1966-67	699.0	9.2	41.8	30,358.0	Dec 06	1,550
1967-68	N.D.					
1968-69	N.D.					
1969-70	N.D.					
1970-71	N.D.					
1971-72	N.D.					
1972-73	N.D.					
1973-74	N.D.					
1974-75	N.D.					
1975-76	69.0	0.0	5.3	3,861.2	Sep 11	155
1976-77	184.0	0.0	4.4	3,547.6	May 10	184
1977-78	3,700.0	0.3	125.1	90,579.4	Feb 10	18,300
1978-79	526.0	0.0	41.4	29,978.2	Mar 28	564
1979-80	2,093.0	0.2	95.6	69,176.7	Feb 16	5,840
1980-81	335.0	0.0	16.7	12,069.2	May 04	500
1981-82	393.0	0.0	22.9	16,555.8	Mar 18	470
1982-83	7,171.0	0.0	136.0	98,612.6	Mar 01	9,900
1983-84	179.0	0.1	15.6	11,314.3	Dec 25	360
1984-85	145.0	0.2	9.6	6,952.3	Dec 19	253
1985-86	351.0	0.3	16.3	11,685.8	Jan 30	475
1986-87	16.4	0.1	3.9	2,779.8		
1987-88	175.0	0.1	8.7	6,284.0		
1988-89	115.0	0.0	6.1	4,079.8		
1989-90	60.2	0.0	2.0	1,380.1		
1990-91	603.0	0.0	16.7	12,160.1	Mar 01	603
1991-92	1,280.0	0.0	43.8	31,790.0	Feb 12	1,780
1992-93	2,040.0	0.0	122.0	88,460.0	Feb 19	3,620
1993-94	113.0	0.0	15.7	9,415.0	Feb 08	159
1994-95	475.0	0.2	47.7	34,530.0	Jan 10	475
1995-96	251.0	0.0	12.0	8,107.0	Feb 21	455

M Data Missing
 * Record incomplete
 E Estimate
 N.D. Not determined
 ** Record not Computed
 + Less than 0.05 Acre Feet or less than 0.05 CFS, but greater than 0

RUNOFF – STREAM GAGING STATION PEAK FLOW

BIG TUJUNGA CREEK *below* Big Tujunga Dam
STATION NO. F168-R

Season	Daily CFS			Total Runoff (Acre-feet)	Peak Inflow	
	Maximum	Minimum	Mean		Date	CFS
1996-97	168.0	0.0	11.1	8,030.0	Jan 27	188
1997-98	1,590.0	0.0	66.0	46,970.0		
1998-99	71.0	0.0	7.7	5,580.0	Jun 04	131
1999-00	123.0	0.0	7.4	5,390.0	Feb 21	171
2000-01	175.0	0.0	9.7	7,020.0		N.D.
2001-02	29.9	0.0	1.3	934.8	Oct 23	240
2002-03	340.8	0.0	9.8	7,072.1	Mar 05	1,290
2003-04	92.2	0.0	2.9	2,117.2	Mar 03	157
2004-05	3,720.0	0.1	182.0	132,000.0	Jan 09	7,540
2005-06	312	0.01	19.1	13820	Feb 28	589

M	Data Missing
*	Record incomplete
E	Estimate
N.D.	Not determined
**	Record not Computed
+	Less than 0.05 Acre Feet or less than 0.05 CFS, but greater than 0

RUNOFF – STREAM GAGING STATION PEAK FLOW

BOUQUET CANYON CREEK @ Urbandale Avenue
STATION NO. F377-R

Season	Daily CFS			Total Runoff (Acre-feet)	Peak Inflow	
	Maximum	Minimum	Mean		Date	CFS
1967-68	66.0	0.0	1.1	823.0	Nov 19	713
1968-69	528.0	0.0	3.4	2,450	Feb 25	3,256
1969-70	11.0	0.0	0.1	11.0	Mar 01	20
1970-71	30.0	0.0	2.2	1,290	Dec 18	273
1971-72	36.0	0.0	0.7	499.0	Dec 27	101
1972-73	81.0	0.0	0.4	300.0	Feb 11	750
1973-74	8.8	0.0	+	33.0	Jan 07	20
1974-75	11.0	0.0	0.1	76.0	Mar 05	512
1975-76	NO RECORD					
1976-77	*	*	*	*	Aug 17	26*
1977-78	*	*	*	*	Mar 04	*
1978-79	*	*	*	*	Mar 28	*
1979-80	180.0	0.0	7.4	5,253		N.D.
1980-81	44.1	0.0	0.9	680.0	Jan 28	530
1981-82	*	*	*	*	Mar 17	*
1982-83	235.0	0.0	4.2	3,080	Mar 01	448
1983-84	18.9	0.0	0.3	188.0		N.D.
1984-85	43.8	0.0	0.3	228.0	Dec 19	45
1985-86	140.0	0.0	1.2	908.0	Mar 16	360
1986-87	7.7	0.0	+	43.0	Mar 05	10
1987-88	52.6	0.0	0.6	439.0		N.D.
1988-89	137.0	0.0	0.6	479.0	Dec 16	339
1989-90	2.8	0.0	0.1	30.0		N.D.
1990-91	0.3	0.0	0.1	9.0		N.D.
1991-92	72.3	0.0	0.9	662.0	Feb 12	712
1992-93	*	*	*	*		*
1993-94	28.7	0.0	0.8	474.0		N.D.
1994-95	301.0	0.0	2.9	2,098	Jan 10	578
1995-96	38.3	0.0	0.7	544.0	Jan 31	149
1996-97	21.0	0.0	0.5	339.0	Dec 09	79
1997-98	258.0	0.0	3.2	2,290	Feb 23	731
1998-99	6.5*	0.0*	0.1*	89E	Apr 12	67
1999-00	111.0*	0.0*	0.7*	513E	Feb 23	339

M Data Missing
 * Record incomplete
 E Estimate
 N.D. Not determined
 ** Record not Computed
 + Less than 0.05 Acre Feet or less than 0.05 CFS, but greater than 0

RUNOFF – STREAM GAGING STATION PEAK FLOW

**BOUQUET CANYON CREEK @ Urbandale Avenue
STATION NO. F377-R**

Season	Daily CFS			Total Runoff (Acre-feet)	Peak Inflow	
	Maximum	Minimum	Mean		Date	CFS
2000-01	0.2*	0.0*	+	20*	Oct 01	0
2001-02	*	*	*	*		
2002-03	0.0	0.0	0.7	0.0	Feb 12	562
2003-04	44.0	0.0	0.5	356.0	Feb 25	329
2004-05	1,050.0	0.0	12.1	8,760.0	Jan 10	3330
2005-06	95	0.0	1.32	846	Jan 02	800

M	Data Missing
*	Record incomplete
E	Estimate
N.D.	Not determined
**	Record not Computed
+	Less than 0.05 Acre Feet or less than 0.05 CFS, but greater than 0

RUNOFF – STREAM GAGING STATION PEAK FLOW

BRADBURY CHANNEL *below* Central Avenue
STATION NO. F329-R

Season	Daily CFS			Total Runoff (Acre-feet)	Peak Inflow	
	Maximum	Minimum	Mean		Date	CFS
1957-58	7.3	0.0	0.2	170.0	Feb 19	65
1958-59	29.0	0.0	0.3	182.0	Jan 06	1,250
1959-60	5.2	0.0	0.1	59.0	Dec 24	40
1960-61	4.5	0.0	0.0	30.0	Nov 03	60
1961-62	50.0	0.0	0.7	518.0	Jan 20	316
1962-63	9.4	0.0	0.2	120.0	Feb 09	24
1963-64	5.6	0.0	0.2	114.0	Jan 22	168
1964-65	11.0	0.0	0.2	157.0	Apr 09	248
1965-66	46.0	0.0	0.6	448.0	Dec 29	552
1966-67	52.0	0.0	0.7	547.0	Jan 24	280
1967-68	30.0	0.0	0.4	319.0	Mar 08	370
1968-69	131.0	0.0	2.6	938.0	Feb 06	472
1969-70	47.0	0.0	0.6	408.0	Mar 01	267
1970-71	20.0	0.0	0.4	261.0	Dec 21	130
1971-72	24.0	0.0	0.2	172.0	Dec 24	145
1972-73	61.0	0.0	1.2	438.0	Feb 27	424
1973-74	39.0	0.0	0.8	609.0	Jan 07	111
1974-75	28.0	0.0	0.4	268.0	Dec 04	325
1975-76	14.0	+	0.4	326.0	Sep 11	210
1976-77	26.4	+	0.5	374.0	Oct 23	166
1977-78	75.6	+	2.7	1,670	Feb 10	357
1978-79	49.0	0.0	1.6	1,160	Jan 15	297
1979-80	155.0	0.0	8.3	5,984	Jan 28	574
1980-81	29.7	0.0	1.1	781.0	Jan 29	477
1981-82	41.2	0.0	1.2	870.0	Mar 17	305
1982-83	111.0	0.0	2.4	1,716	Sep 29	422
1983-84	21.7	0.0	0.7	549.0	Oct 01	230
1984-85	24.4	0.0	0.9	672.0		N.D.
1985-86	34.8	0.0	0.8	581.0	Jan 31	267
1986-87	5.7	0.0	0.5	361.0	Jan 04	174
1987-88	166.0	0.0	2.8	2,019	Dec 04	286
1988-89	25.3	0.0	1.1	758.0	Feb 04	119
1989-90	19.6	0.1	1.2	877.0	May 28	20

M Data Missing
 * Record incomplete
 E Estimate
 N.D. Not determined
 ** Record not Computed
 + Less than 0.05 Acre Feet or less than 0.05 CFS, but greater than 0

RUNOFF – STREAM GAGING STATION PEAK FLOW

BRADBURY CHANNEL *below* Central Avenue
 STATION NO. F329-R

Season	Daily CFS			Total Runoff (Acre-feet)	Peak Inflow	
	Maximum	Minimum	Mean		Date	CFS
1990-91	44.6	0.0	1.8	1,267	Feb 27	391
1991-92	50.9	0.0	1.2	877.0	Feb 12	334
1992-93	83.6	0.0	3.2	2,310	Jan 14	534
1993-94	14.6	0.0	0.6	470.0	Mar 24	193
1994-95	82.7	0.0	2.3	1,652	Feb 14	170
1995-96	97.6	0.0	1.8	1,283	Feb 20	320
1996-97	28.0	+	1.0	708.0	Nov 21	168
1997-98	71.0	+	1.5	1,110	Feb 07	400
1998-99	16.0	+	0.5	351.0	Jan 26	170
1999-00	25.0	+	1.1	826.0	Feb 20	297
2000-01	36.0	+	1.4	1,000	Jan 11	195
2001-02	18.4	0.0	0.3	221.4	Nov 24	325
2002-03	41.4	0.0	0.8	546.4	Feb 13	249
2003-04	1.8	0.0	0.4	8.7	Feb 26	241
2004-05	135.0	0.0	4.2	3,050.0	Feb 21	470
2005-06	25	0.0	1.82	1320	Apr 14	320

M	Data Missing
*	Record incomplete
E	Estimate
N.D.	Not determined
**	Record not Computed
+	Less than 0.05 Acre Feet or less than 0.05 CFS, but greater than 0

RUNOFF – STREAM GAGING STATION PEAK FLOW

BRANFORD STREET CHANNEL *below* Sharp Avenue
STATION NO. F342-R

Season	Daily CFS			Total Runoff (Acre-feet)	Peak Inflow	
	Maximum	Minimum	Mean		Date	CFS
1961-62	118.0	0.0	1.0*	743*	Feb 19	206
1962-63	46.0	0.0	0.6	415.0	Apr 26	284
1963-64	32.0	0.0	0.5	375.0	Mar 22	275
1964-65	56.0	0.0	0.8	571.0	Apr 09	261
1965-66	110.0	0.0	1.4	982.0	Dec 29	587
1966-67	79.0	0.0	1.2	870.0	Nov 07	445
1967-68	120.0	0.0	1.0	693.0	Nov 21	576
1968-69	160.0	0.0	3.0	2,190	Feb 25	738
1969-70	65.0	0.0	1.0	724.0	Feb 09	462
1970-71	175.0*	0.0	1.6*	1,162*	Nov 29	990*
1971-72	50.0	0.0	0.5	360.0	Dec 24	233
1972-73	50.0	0.0	2.1	1,530	Feb 11	771
1973-74	90.0	0.0	1.0	710.0	Jan 07	412
1974-75	75.0	+	0.9	668.0	Mar 06	882
1975-76	61.0	0.0	0.8	550.0	Sep 10	742
1976-77	66.9	0.0	0.9	633.0	May 09	490
1977-78	126.0	0.0	3.0	2,153	Feb 10	1,160
1978-79	80.0	0.0	1.5	1,052	Mar 27	823
1979-80	158.0	0.0	1.9	1,380	Feb 19	1,530
1980-81	45.6	0.0	0.6	471.0	Jan 29	683
1981-82	67.8	0.0	1.2	685.0	Mar 17	688
1982-83	230.0	0.0	2.9	2,134	Mar 01	1,520
1983-84	34.2	0.0	0.4	326.0	Dec 25	190
1984-85	53.3	0.0	0.6	423.0	Dec 18	800
1985-86	43.1	0.0	1.1	760.0	Jan 31	728
1986-87	20.7	0.0	0.2	144.0	Nov 17	386
1987-88	123.0	0.0	1.5	1,058	Oct 22	1,830
1988-89	30.2	0.0	0.7	478.0	Dec 20	242
1989-90	46.9	0.0	0.5	372.0	Jan 13	383
1990-91	64.6	0.0	1.0	726.0		N.D.
1991-92	238.0	0.0	2.8	2,001	Feb 10	1,450
1992-93	*	*	*	*		*
1993-94	35.3*	0.0*	0.7*	464*		N.D.

M Data Missing
 * Record incomplete
 E Estimate
 N.D. Not determined
 ** Record not Computed
 + Less than 0.05 Acre Feet or less than 0.05 CFS, but greater than 0

RUNOFF – STREAM GAGING STATION PEAK FLOW

BRANFORD STREET CHANNEL *below* Sharp Avenue
 STATION NO. F342-R

Season	Daily CFS			Total Runoff (Acre-feet)	Peak Inflow	
	Maximum	Minimum	Mean		Date	CFS
1994-95	175.0*	0.0*	3.0*	2,076*	Mar 10	1,770
1995-96	68.4	0.0	0.9	652.0	Feb 21	574
1996-97	56.0	0.1	1.3	917.0	Dec 22	578
1997-98	124.0	0.1	3.4	2,470	Feb 07	1,240
1998-99	19.0	0.1	1.0	717.0	Oct 29	679
1999-00	63.0	0.1	1.6	1,130	Apr 18	670
2000-01	95.0	0.2	2.0	1,470	Jan 11	1,080
2001-02	38.6	0.2	0.7	520.2		
2002-03	196.8	0.2	2.3	1,668.2	Mar 15	1,270
2003-04	61.7	0.1	0.9	634.9	Feb 26	586
2004-05	161.0	0.1	4.6	3,300.0	Jan 09	1,550
2005-06	56	0.12	1.44	1040	Apr 04	398

M	Data Missing
*	Record incomplete
E	Estimate
N.D.	Not determined
**	Record not Computed
+	Less than 0.05 Acre Feet or less than 0.05 CFS, but greater than 0

RUNOFF – STREAM GAGING STATION PEAK FLOW

BURBANK WESTERN STORM DRAIN @ Riverside Drive
STATION NO. E285-R

Season	Daily CFS			Total Runoff (Acre-feet)	Peak Inflow	
	Maximum	Minimum	Mean		Date	CFS
1950-51	50.0	1.2	4.0	2870	Jan 11	920
1951-52	310.0	1.2	8.9	6490	Jan 16	1400
1952-53	89.0	0.0	4.7	3400	Dec 20	1380
1953-54	144.0	2.1	5.7	4140	Mar 16	1070
1954-55	123.0	1.2	5.6	4020	Jan 18	849
1955-56	400.0	2.0	5.6	4070	Jan 26	N.D.
1956-57	192.0	1.6	4.9	3530	Feb 23	1770
1957-58	232.0	1.9	8.2	5950	Feb 19	1270
1958-59	222.0	1.6	4.9	3540	Feb 11	1650
1959-60	112.0	1.7	4.5	3280	Jan 10	854
1960-61	170.0	1.7	4.9	3570	Nov 05	1400
1961-62	583.0	1.7	10.2	7380	Feb 12	2310
1962-63	444.0	0.6	6.4	4640	Feb 09	1800
1963-64	141.0	1.7	5.4	3940	Mar 22	1220
1964-65	220.0	1.7	6.9	5010	Apr 01	2570
1965-66	897.0	1.1	11.4	8290	Dec 29	2980
1966-67	730.0	3.4	15.4	11170	Nov 07	3500
1967-68	499.0	4.5	12.7	9250	Mar 08	2640
1968-69	982.0	5.0	24.4	17640	Jan 25	2830
1969-70	198.0	3.4	9.8	7080	Mar 04	1500
1970-71	771.0	2.2	12.7	9200	Nov 29	4600
1971-72	291.0	3.9	10.3	7490	Oct 24	1650
1972-73	478.0	4.5	16.1	11670	Jan 18	3130
1973-74	800.0	4.5	14.8	10740	Jan 07	1860
1974-75	318.0	5.0	12.6	9120	Dec 04	2370
1975-76	221.0	4.5	13.0	9410	Sep 05	3030
1976-77	369.0	7.9	16.8	12164	Oct 23	2880
1977-78	1260.0	3.9	47.9	34682	Feb 10	12300
1978-79	338.0	3.9	17.1	12387	Mar 17	2620
1979-80	1490.0	5.0	31.5	22500	Feb 16	7560
1980-81	257.0	4.5	16.5	11965	Jan 29	4340
1981-82	425.0	2.2	17.3	12518	Jan 19	3010
1982-83	1710.0	4.5	36.6	26506	Mar 01	6320

M Data Missing
* Record incomplete
E Estimate
N.D. Not determined
** Record not Computed
+ Less than 0.05 Acre Feet or less than 0.05 CFS, but greater than 0

RUNOFF – STREAM GAGING STATION PEAK FLOW

BURBANK WESTERN STORM DRAIN @ Riverside Drive
STATION NO. E285-R

Season	Daily CFS			Total Runoff (Acre-feet)	Peak Inflow	
	Maximum	Minimum	Mean		Date	CFS
1983-84	231.0	2.8	9.8	7083	Nov 01	2190
1984-85	363.0	1.1	9.6	6981	Dec 19	2640
1985-86	372.0	2.8	14.0	10104	Jan 31	3070
1986-87	145.0	1.7	8.3	5843	Nov 18	1150
1987-88	363.0	7.9	19.4	14058	Oct 22	6620
1988-89	194.0	4.4	12.5	9071	Dec 16	1410
1989-90	253.0	4.1	10.0	7258	Feb 04	1410
1990-91	376.0	1.2	10.7	8085		N.D.
1991-92	778.0	3.0	35.6	25812	Feb 10	7220
1992-93	564.0	6.0	33.9	24570	Feb 07	8080
1993-94	355.0	5.7	16.8	12160	Nov 30	5600
1994-95	743.0	2.4	39.6	28687	Mar 10	6880
1995-96	1330.0	5.3	22.0	15950	Feb 21	5270
1996-97	293.0	6.5	14.2	10310	Jan 20	2400
1997-98	844.0	8.4	29.9	21670	Nov 26	N.D.
1998-99	175.0	7.3	15.1	10920	Nov 28	2940
1999-00	279.0	6.2	16.3	11840	Nov 23	3920
2000-01	417.0	6.6	20.9	15120	Jan 11	4620
2001-02	175.1	4.6	12.8	9255.1	Nov 24	3771
2002-03	845.5	6.9	18.5	13388.1	Mar 15	4470
2003-04	396.0	1.6	1.3	9337.5	Feb 26	2640
2004-05	765.0	7.6	45.3	32800.0	Feb 20	5390
2005-06	478	7.2	21.9	15830	Jan 02	3381

M	Data Missing
*	Record incomplete
E	Estimate
N.D.	Not determined
**	Record not Computed
+	Less than 0.05 Acre Feet or less than 0.05 CFS, but greater than 0

RUNOFF – STREAM GAGING STATION PEAK FLOW

COMPTON CREEK *near* Greenleaf Drive
STATION NO. F37B-R

Season	Daily CFS			Total Runoff (Acre-feet)	Peak Inflow	
	Maximum	Minimum	Mean		Date	CFS
1927-28	*	0.0	*	1230*	Mar 05	240*
1928-29	197.0	0.0	3.1	2,270	Mar 10	924
1929-30	144.0	0.0	3.5	2,520	Mar 14	580
1930-31	137.0	+	3.3	2,400	Apr 26	678
1931-32	248.0	0.0	4.4	3,220	Jan 31	757
1932-33	166.0	0.0	2.4	1,780	Jan 19	740
1933-34	372.0	0.0	3.5	2,560	Jan 01	960
1934-35	301.0	0.0	5.7	4,170	Apr 08	850
1935-36	143.0	0.0	4.0	2,920	Feb 12	824
1936-37	559.0	0.0	*	*	Feb 06	1,220
1937-38	986.0E	*	*	*	Mar 02	N.D.
1938-39	837.0	0.0	7.1	5,150	Sep 25	2,150
1939-40	256.0	10.0	7.4	5,340	Feb 03	1,630
1940-41	544.0	1.0	22.7	16,400	Dec 23	2,660
1941-42	236.0	3.0	10.1	7,280	Dec 10	1,730
1942-43	752.0	0.8	11.8	8,560	Jan 22	2,050
1943-44	739.0	2.3	15.6	11,290	Feb 20	2,370
1944-45	363.0	4.4	12.7	9,210	Nov 11	3,010
1945-46	362.0	2.6	11.0	7,960	Dec 23	2,010
1946-47	474.0	4.1	13.9	10,080	Nov 12	2,930
1947-48	170.0	0.6	7.9	5,740	Mar 24	1,410
1948-49	282.0	0.1	5.1	3,660	Dec 17	2,710
1949-50	433.0	+	6.6	4,820	Feb 06	2,830
1950-51	209.0	+	4.9	3,550	Jan 10	1,790
1951-52	661.0	0.1	14.7	10,650	Jan 18	3,220E
1952-53	220.0	0.1	5.6	4,020	Nov 15	2,380
1953-54	797.0	0.1	7.5	5,410	Feb 13	3,600
1954-55	374.0	0.1	8.4	6,080	Jan 18	2,710
1955-56	2,090.0	0.2	12.7	9,240	Jan 26	4,910
1956-57	286.0	+	5.6	4,070	May 11	1,780
1957-58	1,100.0	+	16.0	11,610	Feb 19	4,640
1958-59	449.0	0.0	4.6	3,330	Jan 06	4,320

M	Data Missing
*	Record incomplete
E	Estimate
N.D.	Not determined
**	Record not Computed
+	Less than 0.05 Acre Feet or less than 0.05 CFS, but greater than 0

RUNOFF – STREAM GAGING STATION PEAK FLOW

COMPTON CREEK *near* Greenleaf Drive
STATION NO. F37B-R

Season	Daily CFS			Total Runoff (Acre-feet)	Peak Inflow	
	Maximum	Minimum	Mean		Date	CFS
1959-60	463.0	0.0	6.3	4,590	Jan 11	3,220
1960-61	204.0	+	2.7	1,960	Nov 05	1,640
1961-62	1,060.0	0.1	14.5	10,520	Feb 19	4,550
1962-63	576.0	+	8.8	6,400	Feb 10	3,310
1963-64	212.0	+	4.7	3,440	Nov 06	2,430
1964-65	424.0	0.0	7.4	5,390	Apr 09	2,630
1965-66	809.0	+	10.8	7,800	Dec 29	3,250
1966-67	765.0	+	11.8	8,560	Nov 07	4,650
1967-68	1,120.0	+	9.4	6,850	Mar 07	3,690
1968-69	1,040.0	0.0	16.6	12,010	Jan 20	5,890
1969-70	275.0	0.2	4.4	3,150	Jan 16	1,960
1970-71	609.0	0.4	11.7	8,500	Nov 29	2,930
1971-72	622.0	0.4	6.8	4,940	Dec 27	6,000
1972-73	473.0	0.2	12.2	8,830	Nov 14	4,300
1973-74	810.0	0.3	10.0	7,210	Jan 04	3,140
1974-75	677.0	0.2	9.1	6,550	Dec 04	8,690
1975-76	285.0	0.1	4.6	3,270	Feb 09	2,470
1976-77	542.0	0.0	7.2	5,220	Aug 17	1,970
1977-78	688.0	0.0	20.0	14,471	Mar 01	3,620
1978-79	559.0	+	12.3	8,888	Mar 27	2,410
1979-80	*	*	*	*	Feb 16	4,780
1980-81	440.0	0.1	6.4	4,658	Mar 01	2,970
1981-82	237.0	0.3	6.3E	4,647E	Jan 01	2,720
1982-83	1,010.0	0.4	21.9	16,720	Jan 28	6,020
1983-84	277.0	0.3	5.4	3,893	Nov 24	2,380
1984-85	458.0	0.1	7.4	5,354	Dec 19	4,110
1985-86	*	*	*	*		*
1986-87	187.0	0.4	4.0	2,935	Nov 17	1,670
1987-88	443.0	0.3	8.0	5,826	Dec 04	2,980
1988-89	258.0	0.6	5.9	4,254	Dec 21	1,990
1989-90	755.0	0.2	5.4	3,887	Feb 17	2,500
1990-91	527.0	0.5	9.1	6,586	Mar 19	3,940
1991-92	510.0	0.1	15.5	11,228	Mar 20	4,640

M Data Missing
 * Record incomplete
 E Estimate
 N.D. Not determined
 ** Record not Computed
 + Less than 0.05 Acre Feet or less than 0.05 CFS, but greater than 0

RUNOFF – STREAM GAGING STATION PEAK FLOW

COMPTON CREEK *near* Greenleaf Drive
STATION NO. F37B-R

Season	Daily CFS			Total Runoff (Acre-feet)	Peak Inflow	
	Maximum	Minimum	Mean		Date	CFS
1992-93	717.0	0.1	21.8	15,760	Jan 06	5,240
1993-94	290.0	0.2	6.0	4,315	Nov 30	2,680
1994-95	1,120.0	0.0	15.8	11,440	Jan 04	7,660
1995-96	627.0	0.5	8.0	5,792	Jan 31	3,410
1996-97	402.0	0.7	10.1	7,300	Dec 09	2,510
1997-98	826.0	0.7	26.9	19,500	Feb 06	7,040
1998-99	384.0	0.2	9.0	6,540	Nov 08	2,420
1999-00	611.0	0.0	7.6	5,480	Mar 05	6,150
2000-01	525.0	0.0	10.6	7,710	Jan 11	3,250
2001-02	402.8	0.0	7.1	15,512.2	Nov 24	2,519
2002-03	997.2	0.0	12.3	8,881	Mar 15	4,750
2003-04	875.8	0.0	9.4	6,795.9	Nov 12	8,030
2004-05	1,320.0	0.0	26.1	18,900.0	Dec 28	5,530
2005-06	344	0.31	7.43	5380	Jan 02	3407

M	Data Missing
*	Record incomplete
E	Estimate
N.D.	Not determined
**	Record not Computed
+	Less than 0.05 Acre Feet or less than 0.05 CFS, but greater than 0

RUNOFF – STREAM GAGING STATION PEAK FLOW

COYOTE CREEK *below* Spring Street
STATION NO. F354-R

Season	Daily CFS			Total Runoff (Acre-feet)	Peak Inflow	
	Maximum	Minimum	Mean		Date	CFS
1963-64	1,190.0	+	10.9	7,950	Nov 15	N.D.
1964-65	800.0	0.3	16.9	12,220	Apr 09	3,350
1965-66	1,830.0	1.2	32.5	23,500	Dec 29	5,020
1966-67	1,840.0	1.4	37.9	27,450	Jan 22	6,880
1967-68	2,350.0	1.6	26.8	19,570	Mar 08	6,970
1968-69	4,420.0	3.1	88.8	64,290	Jan 20	11,300
1969-70	1,000.0	2.5	23.0	16,680	Feb 10	4,600
1970-71	2,320.0	1.4	32.9	23,820	Dec 19	6,200
1971-72	1,770.0	*	*	*	Dec 27	6,620
1972-73	2,350.0	3.3	60.4	43,720	Nov 14	7,810
1973-74	2,410.0	2.3	38.3	27,700	Jan 07	8,670
1974-75	3,130.0	2.3	36.9	26,700	Dec 04	14,400
1975-76	1,500.0	2.3	24.5	17,540	Feb 06	5,430
1976-77	4,250.0	1.7	37.5	27,000	May 08	13,400
1977-78	4,400.0	1.5	128.4	92,940	Mar 01	13,700
1978-79	*	*	*	*		*
1979-80	4,380.0	4.0	128.4	91,800	Feb 14	19,400
1980-81	2,030.0	4.9	33.7	24,395	Mar 01	7,980
1981-82	4,020.0	4.6	56.2	40,818	Nov 28	12,200
1982-83	5,100.0	3.4	123.0	89,013	Mar 01	19,700
1983-84	2,670.0	5.2	1.5	32,043	Oct 01	9,620
1984-85	*	*	*	*		*
1985-86	*	*	*	*	Feb 14	*
1986-87	2,980.0	4.9	34.1	24,670	Jan 04	11,100
1987-88	2,940.0	3.1	46.8	33,943	Dec 04	7,630
1988-89	1,360.0	3.0	45.0	32,582		N.D.
1989-90	648.0	2.3	18.5	13,410	Jan 16	2,980
1990-91	2,250.0	3.4	49.7	35,630	Mar 01	6,250
1991-92	3,120.0	0.0	61.3	44,518	Feb 12	21,000
1992-93	5,030.0	3.8	147.0	106,400	Dec 07	13,600
1993-94	M	M	M	M		M
1994-95	*	*	*	*	Mar 11	11,500
1995-96	2,990.0	2.8	41.9	30,380	Feb 20	15,500

M Data Missing
 * Record incomplete
 E Estimate
 N.D. Not determined
 ** Record not Computed
 + Less than 0.05 Acre Feet or less than 0.05 CFS, but greater than 0

RUNOFF – STREAM GAGING STATION PEAK FLOW

COYOTE CREEK *below* Spring Street
 STATION NO. F354-R

Season	Daily CFS			Total Runoff (Acre-feet)	Peak Inflow	
	Maximum	Minimum	Mean		Date	CFS
1996-97	2,120.0	3.5	72.0	52,160	Dec 09	10,100
1997-98	3,370.0	1.5	135.0	97,460	Feb 07	13,800
1998-99	748.0	3.0	35.7	25,830	Nov 08	4,570
1999-00	1,180.0	3.9	33.7	24,430	Feb 23	5,100
2000-01	3,030.0E	3.6E	71.2E	51,510E	Jan 11	15,300
2001-02	920.9	2.0	33.0	17,758.0	Dec 21	2,371
2002-03	3,906.5	2.9	116.0	84,196.7	Dec 16	16,200
2003-04	3,337.1	6.3	70.0	50,590.0	Feb 26	11,600
2004-05	8,730.0	8.7	415.0	30,000.0	Jan 09	20,800
2005-06	2240	+	90.3	65350	Mar 28	9862

M	Data Missing
*	Record incomplete
E	Estimate
N.D.	Not determined
**	Record not Computed
+	Less than 0.05 Acre Feet or less than 0.05 CFS, but greater than 0

RUNOFF – STREAM GAGING STATION PEAK FLOW

DALTON WASH @ Merced Avenue
STATION NO. F274B-R

Season	Daily CFS			Total Runoff (Acre-feet)	Peak Inflow	
	Maximum	Minimum	Mean		Date	CFS
1940-41	206.0	0.0	5.3	3,844	Mar 13	674
1941-42	42.0	0.0	1.0	727.0	Dec 10	230
1942-43	336.0	0.0	4.8	3,500	Jan 22	1,230
1943-44	1,620.0	0.0	2.2	1,620	Feb 22	2,650
1944-45	144.0	0.0	1.2	894.0	Nov 11	1,740
1945-46	229.0	0.0	2.2	1,610	Dec 23	1,450
1946-47	52.0	0.0	1.4	984.0	Nov 23	328
1947-48	20.0	0.0	0.1	96.0	Dec 05	149
1948-49	19.0	0.0	0.1	97.0	Dec 17	181
1949-50	38.0	0.0	0.4	306.0	Dec 18	232
1950-51	11.0	0.0	0.1	64.0	Jan 11	175
1951-52	270.0	0.0	2.9	2,090	Jan 16	1,070
1952-53	39.0	0.0	0.4	287.0	Nov 15	549
1953-54	217.0	0.0	1.5	1,060	Feb 13	1,290
1954-55	88.0	0.0	1.0	706.0	Jan 18	668
1955-56	860.0	0.0	3.1	2,260	Jan 26	2,350
1956-57	165.0	0.0	1.4	980.0	Mar 01	1,990
1957-58	303.0	0.0	6.5	4,690	Mar 16	1,310
1958-59	208.0	0.0	3.0	2,130	Jan 06	2,700
1959-60	2,260.0	0.1	3.1	2,260	Jan 10	1,000
1960-61	150.0	0.2	3.1	2,220	Jan 26	1,468
1961-62	511.0	0.1	9.9	7,200	Nov 20	4,270
1962-63	403.0	0.2	5.7	4,110	Mar 16	2,020
1963-64	169.0	0.1	3.8	2,750	Jan 21	1,530
1964-65	290.0	0.1	4.4	3,170	Apr 09	2,800
1965-66	571.0	0.2	8.8	6,310	Nov 22	1,320
1966-67	693.0	0.3	14.0	10,140	Sep 01	3,970
1967-68	414.0	0.3	5.9	4,310	Mar 08	3,254
1968-69	3,120.0	0.3	47.0	34,300	Jan 25	6,550
1969-70	447.0	1.2	68.0	49,270	Feb 01	4,775
1970-71	404.0	0.8	88.0	63,700	Dec 21	2,320
1971-72	599.0	0.8	54.0	39,430	Dec 24	3,570
1972-73	629.0	0.8	121.0	87,820	Feb 02	4,240

M Data Missing
 * Record incomplete
 E Estimate
 N.D. Not determined
 ** Record not Computed
 + Less than 0.05 Acre Feet or less than 0.05 CFS, but greater than 0

RUNOFF – STREAM GAGING STATION PEAK FLOW

DALTON WASH @ Merced Avenue
STATION NO. F274B-R

Season	Daily CFS			Total Runoff (Acre-feet)	Peak Inflow	
	Maximum	Minimum	Mean		Date	CFS
1973-74	839.0	0.8	112.0	81,260	Jan 04	2,140
1974-75	550.0	0.8	66.8	48,320	Dec 04	5,060
1975-76	282.0	0.8	74.1	53,640	Sep 10	2,190
1976-77	210.0	1.0	14.2	10,280	Jan 03	3,240
1977-78	*	*	*	*	Mar 05	*
1978-79	582.0	0.1	101.6	73,533	Mar 27	5,610
1979-80	2,790.0	+	83.4	59,890	Feb 16	10,000
1980-81	379.0	1.0	21.9	15,861	Mar 01	1,830
1981-82	568.0	0.6	53.4	38,651	Mar 14	3,750
1982-83	1,690.0	0.0	52.2	37,757	Feb 27	6,130
1983-84	347.0	0.0	40.2	28,405	Dec 25	3,360
1984-85	322.0	0.1	57.6	41,683	Nov 08	3,500
1985-86	496.0	0.1	39.1	28,298	Mar 08	5,550
1986-87	347.0	0.0	65.7	46,865	Oct 02	2,980
1987-88	421.0	0.1	47.9	34,807	Dec 04	4,984
1988-89	286.0	1.3	60.0	43,310	Dec 21	3,408
1989-90	151.0	8.0	56.0	39,890	Apr 17	5,390
1990-91	593.0	0.0	18.1	13,700	Mar 01	3,288
1991-92	529.0	0.1	10.0	7,252	Feb 12	5,270
1992-93	790.0	0.0	37.8	27,370	Jan 14	6,120
1993-94	169.0	0.1	6.2	4,470	Apr 26	3,390
1994-95	1,070.0	0.1	19.6	14,160	Jan 10	4,790
1995-96	925.0	0.2	13.7	9,920	Feb 18	6,760
1996-97	370.0	0.1	30.2	21,890	Dec 09	3,130
1997-98	1,070.0	0.1	22.4	16,220	Feb 07	6,630
1998-99	127.0	0.1	7.2	5,240	Nov 28	2,820
1999-00	291.0	0.1	28.3	20,520	Feb 12	3,040
2000-01	408.0	0.1	22.1	16,030	Jan 11	2,280
2001-02	281.7	0.0	29.6	21,371.1	Dec 20	2,556
2002-03	941.3	0.2	33.7	24,369.9	Dec 16	4,040
2003-04	551.9	0.1	29.0	21,158.4	Apr 01	3,410
2004-05	3,430.0	0.1	76.9	55,700.0	Oct 20	10,700
2005-06	402	0.11	17.2	12460	Jan 02	5535

M Data Missing
 * Record incomplete
 E Estimate
 N.D. Not determined
 ** Record not Computed
 + Less than 0.05 Acre Feet or less than 0.05 CFS, but greater than 0

RUNOFF – STREAM GAGING STATION PEAK FLOW

DALTON WASH @ Merced Avenue
 STATION NO. F274B-R

Season	Daily CFS			Total Runoff (Acre-feet)	Peak Inflow	
	Maximum	Minimum	Mean		Date	CFS

M	Data Missing
*	Record incomplete
E	Estimate
N.D.	Not determined
**	Record not Computed
+	Less than 0.05 Acre Feet or less than 0.05 CFS, but greater than 0

RUNOFF – STREAM GAGING STATION PEAK FLOW

EATON WASH *below* Eaton Wash Dam
 STATION NO. F271-R

Season	Daily CFS			Total Runoff (Acre-feet)	Peak Inflow	
	Maximum	Minimum	Mean		Date	CFS
1940-41	211.0	0.0	9.4	6,090.6	Feb 20	256
1941-42	N.D.					
1942-43	663.0	0.0	11.2	6,398.9	Jan 23	1,080
1943-44	161.0	0.0	5.5	1,967.0	Mar 14	268
1944-45	17.1	0.0	0.1	100.8	Feb 02	26
1945-46	43.0	0.0	0.4	265.2	Dec 22	121
1946-47	63.0	0.0	0.7	507.4	Dec 26	86
1947-48	1.7	0.0	0.0	5.6	Dec 04	9
1948-49	0.3	0.0	0.0	1.2	Dec 17	0
1949-50	13.8	0.0	0.1	70.4		
1950-51	2.3	0.0	0.0	7.5		
1951-52	166.0	0.0	2.5	1,827.2		
1952-53	N.D.					
1953-54	40.0	0.0	0.3	199.1		
1954-55	N.D.					
1955-56	41.0	0.0	0.2	149.6		
1956-57	2.1	0.0	0.0	12.7		
1957-58	136.0	0.0	2.9	2,035.4	Feb 04	146
1958-59	29.0	0.0	0.2	158.3	Feb 16	164
1959-60	N.D.					
1960-61	N.D.					
1961-62	204.0	0.0	1.9	1,299.4		
1962-63	8.6	0.0	0.0	17.1		
1963-64	8.2	0.0	0.0	35.7		
1964-65	35.0	0.0	0.5	328.8		
1965-66	173.0	0.0	5.1	3,650.8		
1966-67	169.0	0.0	2.6	1,907.7		
1967-68	N.D.					
1968-69	N.D.					
1969-70	N.D.					
1970-71	N.D.					
1971-72	N.D.					
1972-73	N.D.					

M Data Missing
 * Record incomplete
 E Estimate
 N.D. Not determined
 ** Record not Computed
 + Less than 0.05 Acre Feet or less than 0.05 CFS, but greater than 0

RUNOFF – STREAM GAGING STATION PEAK FLOW

EATON WASH *below* Eaton Wash Dam
 STATION NO. F271-R

Season	Daily CFS			Total Runoff (Acre-feet)	Peak Inflow	
	Maximum	Minimum	Mean		Date	CFS
1973-74	N.D.					
1974-75	27.0	0.0	0.6	405.4	Mar 15	28
1975-76	27.1	0.0	0.6	424.9	Mar 16	80
1976-77	21.8	0.0	0.4	315.4		22
1977-78	206.0	0.0	5.3	3,456.2	Mar 04	867
1978-79	33.9	0.0	3.4	2,446.0	Nov 21	226
1979-80M	N.D.					
1980-81	13.0	0.0	0.9	671.0		
1981-82	29.1	0.0	2.1	1,523.7	Apr 05	112
1982-83	804.0	0.0	26.1	18,918.1	Mar 02	1,210
1983-84	44.8	0.0	2.7	1,927.3	Oct 20	43
1984-85	26.6	0.0	1.0	698.2	Jan 05	18
1985-86	42.0	0.0	2.6	1,932.9		
1986-87	NO RECORD					
1987-88	20.9	0.0	0.9	650.6	Apr 25	29
1988-89	26.8	0.0	0.3	344.7		
1989-90	10.0	0.0	1.3	85.3		
1990-91	60.1	0.0	2.1	1,567.9	Mar 22	57
1991-92	274.0	0.0	8.4	6,131.9	Feb 11	642
1992-93	441.0	0.0	20.0	14,503.1	Jan 07	822
1993-94*	15.7	0.0	1.1	691.6		N.D.
1994-95	176.0	0.0	10.3	7,469.2	Jan 10	429
1995-96*	201.0	0.0	2.9	2,094.6	Feb 21	298
1996-97	30.0	0.0	1.7	1,262.9	Jan 27	83
1997-98	252.0	0.0	8.8	6,363.7		N.D.
1998-99	8.8	0.0	0.2	142.1	Jun 02	43
1999-00*	67.0	0.0	1.0	710.8	Feb 24	180
2000-01	32.0	0.0	1.1	795.0	Apr 16	206
2001-02	7.8	0.0	0.2	116.6	Dec 12	32
2002-03	16.9	0.0	0.7	518.0	Mar 03	97
2003-04	17.3	0.0	0.4	300.1	Aug 02	38
2004-05	156.0	0.0	15.4	11,200.0	Oct 21	310
2005-06	30	0.0	2.04	1480	Oct 17	153

M Data Missing
 * Record incomplete
 E Estimate
 N.D. Not determined
 ** Record not Computed
 + Less than 0.05 Acre Feet or less than 0.05 CFS, but greater than 0

RUNOFF – STREAM GAGING STATION PEAK FLOW

EATON WASH *below* Eaton Wash Dam
 STATION NO. F271-R

Season	Daily CFS			Total Runoff (Acre-feet)	Peak Inflow	
	Maximum	Minimum	Mean		Date	CFS

M	Data Missing
*	Record incomplete
E	Estimate
N.D.	Not determined
**	Record not Computed
+	Less than 0.05 Acre Feet or less than 0.05 CFS, but greater than 0

RUNOFF – STREAM GAGING STATION PEAK FLOW

EATON WASH @ Loftus Drive
STATION NO. F318-R

Season	Daily CFS			Total Runoff (Acre-feet)	Peak Inflow	
	Maximum	Minimum	Mean		Date	CFS
1956-57	201.0	0.0	0.0	2,400	Feb 23	1,760
1957-58	368.0	0.1	0.1	7,460	Feb 19	2,700
1958-59	245.0	0.1	0.1	2,850	Jan 06	3,480
1959-60	186.0	+	+	2,420	Jan 12	1,090
1960-61	123.0	0.1	0.1	1,590	Nov 26	1,200
1961-62	598.0	0.1	0.1	6,880	Feb 11	1,950
1962-63	311.0	0.3	0.3	2,980	Feb 09	1,230
1963-64	227.0	0.1	0.1	3,050	Nov 20	2,360
1964-65	254.0	0.2	0.2	3,760	Apr 09	2,150
1965-66	605.0	0.3	0.3	8,990	Dec 29	2,290
1966-67	548.0	0.3	0.3	8,670	Jan 24	2,100
1967-68	318.0	0.3	0.3	4,040	Mar 08	2,390
1968-69	1,860.0	0.3	0.3	M		M
1969-70	M	M	M	M		M
1970-71	M	M	M	M		M
1971-72	M	M	M	M		M
1972-73	M	M	M	M		M
1973-74	592.0	0.3	0.3	4,870	Jan 07	1,530
1974-75	480.0	0.5	0.5	4,870	Dec 04	3,000
1975-76	275.0	0.4	0.4	3,980	Sep 11	2,660
1976-77	206.0	0.4	0.4	3,650	Oct 23	1,820
1977-78	914.0	0.4	0.4	21,425	Feb 10	5,810
1978-79	335.0	0.3	0.3	7,156	Feb 21	2,630
1979-80	1,460.0	0.1	0.1	27,991	Feb 16	5,240
1980-81	203.0	0.3	0.3	3,937	Mar 19	1,630
1981-82	377.0	0.4	0.4	5,453	Mar 17	3,060
1982-83	1,570.0	0.5	0.5	28,952		N.D.
1983-84	191.0	0.4	0.4	3,307	Dec 25	1,930
1984-85	199.0	0.4	0.4	4,258	Dec 19	2,460
1985-86	313.0	0.4	0.4	4,827	Jan 31	1,730
1986-87	178.0	0.1	0.1	1,782	Oct 02	1,400
1987-88	317.0	0.0	0.0	3,048	Jan 17	4,950
1988-89	172.0	0.1	0.1	2,134	Dec 15	1,150

M Data Missing
 * Record incomplete
 E Estimate
 N.D. Not determined
 ** Record not Computed
 + Less than 0.05 Acre Feet or less than 0.05 CFS, but greater than 0

RUNOFF – STREAM GAGING STATION PEAK FLOW

EATON WASH @ Loftus Drive
STATION NO. F318-R

Season	Daily CFS			Total Runoff (Acre-feet)	Peak Inflow	
	Maximum	Minimum	Mean		Date	CFS
1989-90	383.0	0.1	0.1	2,289	Apr 17	1,310
1990-91	331.0	0.0	0.0	3,948	Feb 28	1,850
1991-92	757.0	0.0	0.0	10,304	Feb 12	3,900
1992-93	664.0	0.0	0.0	21,580	Dec 07	5,090
1993-94	159.0	0.0	0.0	2,122	Mar 24	2,580
1994-95	954.0	0.0	0.0	14,500	Mar 11	5,330
1995-96	551.0	0.1	0.1	5,734	Jan 31	5,090
1996-97	236.0	0.1	0.1	4,630	Jan 12	1,010
1997-98	1,070.0	0.1	0.1	14,050	Feb 23	4,650
1998-99	136.0	0.2	0.2	1,990	Nov 28	1,430
1999-00	247.0	0.1	0.1	3,720	Feb 21	2,490
2000-01	352.0	0.2	0.2	4,680	Jan 11	1,760
2001-02	236.4	0.2	2.3	1,685.1	Nov 24	4,059
2002-03	557.8	0.1	7.4	5,352.6	Mar 15	3,030
2003-04	411.0	0.4	4.9	3,579.5	Feb 26	3,840
2004-05	1,420.0	0.0	38.2	27,600.0	Jan 10	5,450
2005-06	258	0.12	6.35	4600	Jan 02	2977

M	Data Missing
*	Record incomplete
E	Estimate
N.D.	Not determined
**	Record not Computed
+	Less than 0.05 Acre Feet or less than 0.05 CFS, but greater than 0

RUNOFF – STREAM GAGING STATION PEAK FLOW

FISH CREEK *above* Mouth of Canyon
STATION NO. U7-R

Season	Daily CFS			Total Runoff (Acre-feet)	Peak Inflow	
	Maximum	Minimum	Mean		Date	CFS
1917-18	193.0	0.1	4.1	2,960	Mar 10	330
1918-19	10.0	0.0	0.9	648.0	Feb 11	21
1919-20	83.0	+	3.0	2,160	Mar 02	255
1920-21	120.0	0.0	2.3	1,670	Mar 13	286
1921-22	290.0	0.1	12.4	8,980	Feb 09	505
1922-23	64.0	0.1	2.1	1,510	Dec 12	186
1923-24	14.0	0.0	0.5	344.0	Mar 26	58
1924-25	132.0	0.0	1.7	1,230	Apr 04	N.D.
1925-26	410.0	0.1	7.2	5,170	Apr 07	N.D.
1926-27	482.0	0.4	7.0	5,070	Feb 16	945
1927-28	30.0	N.D.	1.2	860.0	Feb 04	97
1928-29	41.0	0.0	1.4	1,040	Mar 10	71
1929-30	42.0	0.0	1.5	1,070	Jan 15	72
1930-31	26.0	N.D.	1.2	888.0	Apr 26	70
1931-32	213.0	N.D.	4.9	3,560	Dec 28	415
1932-33	167.0	N.D.	1.8	1,340	Jan 19	299
1933-34	360.0	N.D.	3.4	2,440	Jan 01	640
1934-35	150.0	N.D.	4.2	3,080	Apr 08	420
1935-36	80.0	0.3	4.5	3,280	Feb 02	676
1936-37	142.0	0.4	9.3	6,770	Dec 30	252
1937-38	752.0	1.0	13.2	9,520	Mar 02	2,100
1938-39	50.0	0.2	2.4	1,750	Dec 19	172
1939-40	43.0	0.1	2.2	1,570	Jan 08	225
1940-41	255.0	0.1	12.9	9,340	Mar 04	443
1941-42	23.0	0.1	1.4	1,030	Dec 10	44
1942-43	874.0	0.1	14.8	10,720	Jan 23	2,100
1943-44	325.0	0.5	5.8	4,200	Feb 22	680
1944-45	106.0	0.2	3.6	2,580	Nov 11	400
1945-46	156.0	0.1	3.2	2,310	Dec 23	540
1946-47	140.0	0.1	4.0	2,910	Dec 26	400
1947-48	8.8	N.D.	0.7	536.0	Apr 28	28
1948-49	18.0	N.D.	0.8	610.0	Jan 20	35
1949-50	37.0	0.0	1.2	888.0	Dec 18	157

M Data Missing
 * Record incomplete
 E Estimate
 N.D. Not determined
 ** Record not Computed
 + Less than 0.05 Acre Feet or less than 0.05 CFS, but greater than 0

RUNOFF – STREAM GAGING STATION PEAK FLOW

FISH CREEK *above* Mouth of Canyon
STATION NO. U7-R

Season	Daily CFS			Total Runoff (Acre-feet)	Peak Inflow	
	Maximum	Minimum	Mean		Date	CFS
1950-51	5.6	0.0	0.3	237.0	Apr 28	16
1951-52	348.0	0.0	8.3	6,060	Jan 16	1,360
1952-53	18.0	0.0	1.1	813.0	Dec 01	252
1953-54	110.0	0.0	2.1	1,510	Jan 25	376
1954-55	15.0	0.0	0.8	567.0	Jan 18	39
1955-56	155.0	0.0	1.5	1,100	Jan 26	544
1956-57	33.0	0.0	0.9	674.0	Jan 13	108
1957-58	212.0	0.0	7.8	5,680	Apr 03	608
1958-59	200.0	0.1	2.2	1,590	Dec 06	2,000E
1959-60	16.0	0.0	1.1	794.0	Apr 27	84
1960-61	23.0	0.0	0.6	443.0	Nov 12	230
1961-62	472.0	0.0	6.2	4,480	Feb 11	770
1962-63	71.0	0.0	1.3	922.0	Feb 09	346
1963-64	48.0	0.0	0.9	1,107	Jan 21	178
1964-65	48.0	0.0	1.3	930.0	Apr 09	163
1965-66	523.0	0.0	8.6	6,200	Dec 29	1,670
1966-67	688.0	0.6	13.5	9,740	Dec 06	2,250
1967-68	44.0	0.4	2.3	1,640	Nov 19	282
1968-69	5,540.0	0.7	55.2	39,980	Jan 25	13,000
1969-70	99.0	0.8	4.2	3,010	Feb 28	898
1970-71	93.0	0.6	3.3	2,400	Nov 29	259
1971-72	23.0	0.1	1.0	742.0	Dec 24	62
1972-73	480.0	0.2	7.4	5,390	Feb 11	1,600
1973-74	234.0	0.4	4.4	3,210	Jan 07	376
1974-75	30.0	0.2	2.5	1,803	Dec 04	56
1975-76	41.0	0.1	1.5	1,050	Mar 01	143
1976-77	45.0	0.0	1.0	760.0		N.D.
1977-78	386.0	0.1	15.5	11,242	Feb 10	1,340
1978-79	35.1	0.2	4.4	3,164	Dec 05	78
1979-80	448.0	0.4	0.5	10,806	Feb 16	1,590
1980-81	43.5	0.2	1.7	1,264	Jan 29	190
1981-82	12.6	0.1	2.0	1,424	Jan 20	26
1982-83	575.0	0.4	18.7	13,552	Mar 01	1,230

M Data Missing
 * Record incomplete
 E Estimate
 N.D. Not determined
 ** Record not Computed
 + Less than 0.05 Acre Feet or less than 0.05 CFS, but greater than 0

RUNOFF – STREAM GAGING STATION PEAK FLOW

FISH CREEK *above* Mouth of Canyon
STATION NO. U7-R

Season	Daily CFS			Total Runoff (Acre-feet)	Peak Inflow	
	Maximum	Minimum	Mean		Date	CFS
1983-84	35.1	0.0	2.0	1,487	Dec 25	108
1984-85	29.4	0.1	17.6	1,100		N.D.
1985-86	*	*	*	*		*
1986-87	14.2	0.0	1.6	1,156		N.D.
1987-88	48.9	0.0	1.5	1,082	Jan 17	115
1988-89	80.7	0.0	21.1	1,219	Feb 04	226
1989-90	35.4	0.0	0.6	466.0	Feb 16	176
1990-91	87.4	0.0	2.5	1,837	Mar 01	429
1991-92	318.0	0.0	10.3	7,481	Feb 12	1,030
1992-93	422.0	0.3	20.2	14,640	Feb 19	2,370
1993-94	13.3	0.0	1.2	843.0	Feb 20	31
1994-95	248.0	0.2	10.5	7,620	Mar 05	768
1995-96	295.0	0.1	5.2	3,797	Feb 21	540
1996-97	125.0	0.2	4.9	3,520	Dec 22	339
1997-98	500.0	0.1	10.9	7,860	Mar 03	35
1998-99	1.9	0.2	1.3	935.0	Mar 30	2
1999-00	17.0	0.6	1.7	1,220E		N.D.
2000-01	25.0	0.0	1.2	881.0	Apr 16	98
2001-02	13.0	0.0	0.6	418.7	Jan 27	43
2002-03	102.3	0.0	1.8	1,319.3	Mar 16	291
2003-04	92.1	0.0	1.5	1,034.4	Feb 26	548
2004-05	1,240.0	0.0	26.5	19,200.0	Jan 09	1,750
2005-06	55	1.5	4.45	3230	Jan 02	336

M	Data Missing
*	Record incomplete
E	Estimate
N.D.	Not determined
**	Record not Computed
+	Less than 0.05 Acre Feet or less than 0.05 CFS, but greater than 0

RUNOFF – STREAM GAGING STATION PEAK FLOW

LEAKAGE @ Toe of Cogswell Dam
STATION NO. F251-R

Season	Daily CFS			Total Runoff (Acre-feet)	Peak Inflow	
	Maximum	Minimum	Mean		Date	CFS
1934-35	20.0	0.0	4.0	2,890.3	May 01	20
1935-36	41.0	0.1	9.3	6,728.3	Feb 17	41
1936-37	N.D.					
1937-38	N.D.					
1938-39	N.D.					
1939-40	N.D.					
1940-41	N.D.					
1941-42	N.D.					
1942-43	N.D.					
1943-44	N.D.					
1944-45	N.D.					
1945-46	N.D.					
1946-47	N.D.					
1947-48	N.D.					
1948-49	N.D.					
1949-50	N.D.					
1950-51	N.D.					
1951-52	N.D.					
1952-53	N.D.					
1953-54	N.D.					
1954-55	N.D.					
1955-56	N.D.					
1956-57	N.D.					
1957-58	N.D.					
1958-59	N.D.					
1959-60	N.D.					
1960-61	N.D.					
1961-62	N.D.					
1962-63	N.D.					
1963-64	N.D.					
1964-65	N.D.					
1965-66	N.D.					

M Data Missing
 * Record incomplete
 E Estimate
 N.D. Not determined
 ** Record not Computed
 + Less than 0.05 Acre Feet or less than 0.05 CFS, but greater than 0

RUNOFF – STREAM GAGING STATION PEAK FLOW

LEAKAGE @ Toe of Cogswell Dam
STATION NO. F251-R

Season	Daily CFS			Total Runoff (Acre-feet)	Peak Inflow	
	Maximum	Minimum	Mean		Date	CFS
1966-67	N.D.					
1967-68	N.D.					
1968-69	N.D.					
1969-70	N.D.					
1970-71	N.D.					
1971-72	N.D.					
1972-73	N.D.					
1973-74	N.D.					
1974-75	5.3	1.8	3.6	2,614.0		5
1975-76	3.9	1.8	3.2	2,326.4	Feb 09	4
1976-77	4.5	1.8	3.1	2,228.2		
1977-78	16.8	2.2	0.2	4,130.8	Feb 10	57
1978-79	6.8	2.5	0.1	2,800.7	Mar 27	7
1979-80	N.D.					
1980-81	5.6	0.0	1.9	1,363.8	Oct 01	6
1981-82	10.4	0.0	5.1	3,682.7		10
1982-83	13.9	4.2	0.3	5,635.0	Mar 02	14
1983-84	8.1	1.5	0.2	3,383.0	Oct 01	8
1984-85	5.2	1.0	3.4	2,432.7	Dec 28	5
1985-86	5.4	2.9	4.0	2,877.2	Feb 15	6
1986-87	3.8	2.2	31.8	1,927.3	Oct 01	4
1987-88	4.4	1.8	35.5	2,142.0	May 23	4
1988-89	2.7	1.7	2.0	1,449.1	Oct 01	3
1989-90	2.8	1.0	1.9	1,344.2	May 19	3
1990-91	4.7	0.0	0.7	510.1	Mar 01	5
1991-92	5.0	0.0	0.8	569.7	Apr 08	5
1992-93	22.1	0.2	11.0	7,996.2	Jan 18	23
1993-94	11.3	0.2	3.1	2,243.3	Oct 01	11
1994-95	4.0	0.0	0.7	502.2	Aug 15	11
1995-96	2.2	0.0	0.1	66.1	Feb 21	6
1996-97	13.0	0.0	5.5	4,006.4	Apr 21	13
1997-98	31.0	2.4	16.1	11,654.7	Feb 23	39
1998-99	22.0	1.3	9.5	6,897.1	Oct 01	22

M Data Missing
 * Record incomplete
 E Estimate
 N.D. Not determined
 ** Record not Computed
 + Less than 0.05 Acre Feet or less than 0.05 CFS, but greater than 0

RUNOFF – STREAM GAGING STATION PEAK FLOW

LEAKAGE @ Toe of Cogswell Dam
 STATION NO. F251-R

Season	Daily CFS			Total Runoff (Acre-feet)	Peak Inflow	
	Maximum	Minimum	Mean		Date	CFS
1999-00	12.0	0.0	4.3	3,102.2	Apr 18	12
2000-01	14.0	1.8	7.6	5,520.0	Apr 07	14
2001-02	8.4	0.0	2.9	2,070.0	Nov 25	8
2002-03	13.6	0.3	5.8	4,189.5	Mar 24	14
2003-04	6.2	0.5	3.1	2,262.3	Mar 02	10
2004-05	34.0	1.0	18.6	13,500.0	Jan 10	35
2005-06	29	7.5	17.7	12850	May 01	29

M	Data Missing
*	Record incomplete
E	Estimate
N.D.	Not determined
**	Record not Computed
+	Less than 0.05 Acre Feet or less than 0.05 CFS, but greater than 0

RUNOFF – STREAM GAGING STATION PEAK FLOW

LITTLE ROCK CREEK *above* Little Rock Dam
STATION NO. L1-R

Season	Daily CFS			Total Runoff (Acre-feet)	Peak Inflow	
	Maximum	Minimum	Mean		Date	CFS
1930-31	195.0	0.0	5.0	3,610	Apr 26	430
1931-32	830.0	0.0	*	16,730*	Feb 08	2,200
1932-33	56.0	0.0	5.8	4,180	Mar 09	66
1933-34	455.0	0.0	5.2	3,770		N.D.
1934-35	716.0	0.0	24.4	17,640	Feb 05	925
1935-36	127.0	0.0	4.6	3,320	Feb 23	261
1936-37	679.0	0.0	30.3	21,950	Feb 06	1,550
1937-38	N.D.	0.0	N.D.	N.D.	Mar 02	17,000
1938-39	NO RECORDS					
1939-40	183.0	0.0	9.6	7,000	Jan 08	555
1940-41	1,730.0	0.0	71.3	51,620	Feb 20	2,240
1941-42	55.0	+	7.1	5,140	Apr 14	92
1942-43	2,730.0E	0.0	49.5	35,870	Jan 23	5,700
1943-44	736.0	0.8	49.6	35,940	Feb 22	902
1944-45	323.0	0.1	12.8	9,250	Nov 11	1,080
1945-46	604.0	0.0	16.7	12,150	Dec 21	1,100
1946-47	1,740.0	0.0	21.9	15,840	Dec 26	3,180
1947-48	62.0	0.0	3.4	2,450	Apr 29	122
1948-49	33.0	0.0	4.4	3,170	Apr 14	37
1949-50	114.0	0.0	3.4	2,470	Feb 06	212
1950-51	4.7	0.0	0.6	432.0	May 04	5
1951-52	311.0	0.0	31.6	22,890	Dec 30	502
1952-53	33.0	0.0	4.2	3,020	Jan 09	36
1953-54	328.0	0.0	11.6	8,430	Jan 25	655
1954-55	116.0	+	10.1	7,310	Nov 11	236
1955-56	424.0	0.0	7.5	5,470	Jan 26	1,050
1956-57	399.0	0.0	6.3	4,560	Jan 13	1,040
1957-58	521.0	0.0	40.7	29,500	Dec 15	1,070
1958-59	163.0	0.0	5.7	4,150	Feb 16	598
1959-60	15.0	0.0	2.4	1,750	Jan 26	17
1960-61	25.0	0.0	1.8	1,290	Nov 06	37
1961-62	2,060.0	0.0	25.8	18,640	Feb 11	3,180
1962-63	112.0	0.0	3.0	2,200	Feb 10	314

M Data Missing
 * Record incomplete
 E Estimate
 N.D. Not determined
 ** Record not Computed
 + Less than 0.05 Acre Feet or less than 0.05 CFS, but greater than 0

RUNOFF – STREAM GAGING STATION PEAK FLOW

LITTLE ROCK CREEK *above* Little Rock Dam
STATION NO. L1-R

Season	Daily CFS			Total Runoff (Acre-feet)	Peak Inflow	
	Maximum	Minimum	Mean		Date	CFS
1963-64	38.0	0.0	3.8	2,800	Apr 01	49
1964-65	115.0	0.0	7.1	5,150	Apr 19	155
1965-66	1,700.0	0.0	33.9	24,500	Dec 29	5,240
1966-67	1,330.0	0.0	29.2	21,230	Dec 06	1,970
1967-68	264.0	+	11.6	8,390	Nov 21	444
1968-69	1,810.0	+	57.2	41,430	Jan 25	5,900
1969-70	175.0	0.0	9.5	6,850	Feb 10	287
1970-71	453.0	0.0	10.6	7,700	Nov 29	1,490
1971-72	382.0	0.0	6.0	4,320	Dec 24	801
1972-73	556.0	0.0	16.1	11,680	Feb 11	1,880
1973-74	70.0	0.0	10.4	7,540	Mar 02	87
1974-75	124.0	0.0	7.8	5,640	Mar 08	230
1975-76	270.0	0.0	7.6	5,530	Feb 08	643
1976-77	74.0	0.0	7.3	5,296	May 08	181
1977-78	*	*	*	*	Feb 10	*
1978-79	249.0	0.5	25.6	18,562	Mar 27	367
1979-80	1,705.0	0.0	45.8	32,580	Feb 19	3,998
1980-81	43.8	0.0	5.9	4,726	Mar 20	59
1981-82	575.0	0.0	18.3	13,243	Apr 11	1,132
1982-83	2,413.0	0.0	66.5	48,136	Mar 01	3,482
1983-84	244.0	0.0	7.1	5,124	Dec 25	539
1984-85	36.2	0.0	8.0	5,764	Dec 27	45
1985-86	515.0	0.0	17.3	12,510	Jan 30	1,162
1986-87	64.1	0.0	2.5	1,818	Mar 06	87
1987-88	205.0	0.0	25.1	18,286		N.D.
1988-89	47.0	0.0	6.3	4,701	Feb 09	61
1989-90	*	*	*	*	Jan 23	41
1990-91	369.0	0.0	8.6	8,094	Mar 01	839
1991-92	*	*	*	*		*
1992-93	*	*	*	*		*
1993-94	46.9	0.0	N.D.	*		N.D.
1994-95	795.0	0.0	44.9	32,480	Jan 10	2,000
1995-96	638.0	0.0	8.9	6,474	Feb 21	1,100

M Data Missing
 * Record incomplete
 E Estimate
 N.D. Not determined
 ** Record not Computed
 + Less than 0.05 Acre Feet or less than 0.05 CFS, but greater than 0

RUNOFF – STREAM GAGING STATION PEAK FLOW

LITTLE ROCK CREEK *above* Little Rock Dam
 STATION NO. L1-R

Season	Daily CFS			Total Runoff (Acre-feet)	Peak Inflow	
	Maximum	Minimum	Mean		Date	CFS
1996-97	207.0	0.0	7.3	5,260	Jan 26	264
1997-98	1,610.0	0.0	52.3	37,890	Feb 23	3,470
1998-99	23.0	0.0	3.8	2,720	Feb 10	27
1999-00	168.0	0.0	6.9	5,000	Feb 23	519
2000-01	154.0	0.0	14.9	10,760	Mar 06	219
2001-02	3.2	0.0	0.6	305.0	Jan 29	4
2002-03	0.0	0.0	13.1	0.0	Feb 12	3,720
2003-04	173.0	0.0	4.7	3,370.0	Feb 26	473
2004-05	2,440.0	0.0	85.1	61,480.0	Jan 09	5,040
2005-06	330	0.0	17	8620	Feb 28	786

M	Data Missing
*	Record incomplete
E	Estimate
N.D.	Not determined
**	Record not Computed
+	Less than 0.05 Acre Feet or less than 0.05 CFS, but greater than 0

RUNOFF – STREAM GAGING STATION PEAK FLOW

LIVE OAK CREEK *below* Live Oak Dam
 STATION NO. F356-R

Season	Daily CFS			Total Runoff (Acre-feet)	Peak Inflow	
	Maximum	Minimum	Mean		Date	CFS
1963-64	N.D.					
1964-65	2.8	0.0	0.0	13.9	Jun 24	78
1965-66	6.1	0.0	0.3	209.4	Mar 01	6
1966-67	44.0	0.0	0.9	670.6	Dec 06	194
1967-68	N.D.					
1968-69	N.D.					
1969-70	N.D.					
1970-71	N.D.					
1971-72	N.D.					
1972-73	N.D.					
1973-74	N.D.					
1974-75	5.1	0.0	0.1	77.8	Apr 08	5
1975-76	4.8	0.0	0.0	27.0	Apr 26	6
1976-77	2.3	0.0	0.0	30.9	Aug 17	4
1977-78	73.0	0.0	2.1	1,517.2	Mar 04	120
1978-79	4.4	0.0	0.9	655.5	Mar 30	5
1979-80	84.2	0.0	2.6	1,907.3	Feb 17	105
1980-81	2.8	0.0	0.3	218.6	Mar 03	4
1981-82	20.3	0.0	0.6	416.5	Mar 18	21
1982-83	45.0	0.0	0.0	1,779.6		
1983-84	2.3	0.0	0.6	449.7	Dec 05	3
1984-85	3.6	0.0	0.2	162.8		
1985-86	1.9	0.0	0.3	195.6	Mar 25	2
1986-87	1.0	0.0	0.0	37.5		
1987-88	6.4	0.0	0.0	69.2		
1988-89	5.3	0.0	0.1	93.6	Feb 14	8
1989-90	2.0	0.0	0.1	41.7	May 28	3
1990-91	4.3	0.0	0.3	200.3	Mar 04	5
1991-92	17.7	0.0	0.4	272.9	Feb 13	36
1992-93	48.2	0.0	2.4	1,705.8	Feb 22	80
1993-94	5.7	0.0	0.3	199.5	May 10	6
1994-95	29.8	0.0	1.5	1,058.4	Mar 06	103
1995-96	23.8	0.0	0.5	393.1	Feb 21	82

M Data Missing
 * Record incomplete
 E Estimate
 N.D. Not determined
 ** Record not Computed
 + Less than 0.05 Acre Feet or less than 0.05 CFS, but greater than 0

RUNOFF – STREAM GAGING STATION PEAK FLOW

LIVE OAK CREEK *below* Live Oak Dam
 STATION NO. F356-R

Season	Daily CFS			Total Runoff (Acre-feet)	Peak Inflow	
	Maximum	Minimum	Mean		Date	CFS
1996-97	6.6	0.0	0.5	349.1	Dec 17	25
1997-98	51*	0*	1.07*	773.87*	Feb 24	65
1998-99	9.0	0.0	0.1	104.1	Dec 08	30
1999-00	1.1*	0*	0.11*	77.85*	Jun 20	25
2000-01	20.0	0.0	0.2	120.0	Jul 10	61
2001-02	0.4	0.0	0.0	2.2	May 21	15
2002-03	5.1	0.0	0.7	48.9	Nov 19	19
2003-04	14.4	0.0	0.3	230.2	Mar 01	16
2004-05	156.0	0.0	4.0	2,920.0	Jan 09	210
2005-06	14.7	0*	1.12	813	Oct 15	36

M	Data Missing
*	Record incomplete
E	Estimate
N.D.	Not determined
**	Record not Computed
+	Less than 0.05 Acre Feet or less than 0.05 CFS, but greater than 0

RUNOFF – STREAM GAGING STATION PEAK FLOW

LOS ANGELES RIVER *above* Arroyo Seco
STATION NO. F57C-R

Season	Daily CFS			Total Runoff (Acre-feet)	Peak Inflow	
	Maximum	Minimum	Mean		Date	CFS
1930-31	927.0	0.0	5.5	3,950	Feb 04	4,540
1931-32	2,520.0	0.0	21.0	15,240	Feb 08	3,020
1932-33	2,330.0	0.0	14.7	10,640	Jan 19	5,780
1933-34	5,990.0	0.0	41.2	29,810	Jan 01	22,000
1934-35	568.0	0.1	17.3	12,550	Apr 08	2,400E
1935-36	322.0	0.4	7.9	5,770	Mar 30	2,540
1936-37	1,670.0	0.4	33.8	24,470	Feb 06	2,410E
1937-38	27,900.0	0.6	183.0	132,600	Mar 02	68,000E
1938-39	1,950.0	3.8	58.5	42,360	Jan 05	3,710
1939-40	2,070.0	6.0	54.5	39,590	Jan 08	8,900
1940-41	6,700.0	4.2	228.0	165,000	Feb 20	11,900
1941-42	1,170.0	22.0	75.7	54,800	Dec 10	5,260
1942-43	7,120.0	15.0	172.0	124,400	Jan 23	23,900
1943-44	8,020.0	25.0	151.0	109,800	Feb 22	14,600
1944-45	1,160.0	6.5	51.1	36,990	Feb 02	4,900
1945-46	1,880.0	3.4	49.6	35,880	Dec 22	5,240
1946-47	896.0	1.6	43.3	31,330	Dec 25	5,320
1947-48	498.0	3.6	20.5	14,890	Mar 24	4,900
1948-49	451.0	4.2	24.3	17,600	Dec 17	1,530
1949-50	804.0	0.3	14.9	10,760	Feb 06	2,840
1950-51	487.0	0.5	10.8	7,840	Jan 11	3,600
1951-52	8,130.0	0.5	149.0	108,000	Jan 16	25,300
1952-53	1,370.0	0.6	25.5	18,480	Dec 20	7,270
1953-54	2,570.0	0.2	29.0	21,000	Feb 13	9,580
1954-55	1,510.0	0.2	25.2	18,270	Jan 18	6,850
1955-56	7,290.0	0.6	49.4	35,890	Jan 26	15,300
1956-57	2,390.0	0.2	34.4	24,890	Feb 23	22,200
1957-58	4,650.0	0.4	126.0	91,020	Feb 19	19,700
1958-59	3,790.0	0.2	27.6	20,230	Jan 06	17,200
1959-60	1,420.0	+	23.3	16,910	Jan 12	8,960
1960-61	1,690.0	+	16.6	12,000	Nov 05	7,890
1961-62	8,510.0	+	120.0	86,910	Feb 12	32,500
1962-63	3,750.0	+	32.4	23,440	Feb 09	18,100

M Data Missing
 * Record incomplete
 E Estimate
 N.D. Not determined
 ** Record not Computed
 + Less than 0.05 Acre Feet or less than 0.05 CFS, but greater than 0

RUNOFF – STREAM GAGING STATION PEAK FLOW

LOS ANGELES RIVER *above* Arroyo Seco
STATION NO. F57C-R

Season	Daily CFS			Total Runoff (Acre-feet)	Peak Inflow	
	Maximum	Minimum	Mean		Date	CFS
1963-64	1,950.0	+	27.9	20,320	Jan 22	12,200
1964-65	2,880.0	+	49.1	35,580	Apr 09	12,500
1965-66	12,600.0	0.1	149.0	107,500	Dec 29	32,000
1966-67	7,720.0	0.4	115.0	82,210	Nov 07	32,100
1967-68	4,780.0	3.4	82.2	59,710	Mar 08	30,900
1968-69	23,400.0	4.0	425.0	307,400	Jan 25	41,800
1969-70	2,760.0	6.9	65.6	47,520	Mar 04	17,000
1970-71	12,900.0	7.4	129.0	93,310	Nov 29	41,500
1971-72	4,830.0	5.4	64.3	46,690	Dec 27	15,900
1972-73	9,190.0	6.7	157.0	114,000	Jan 18	28,230
1973-74	12,480.0	5.8	123.0	88,900	Jan 07	24,540
1974-75	5,750.0	4.2	88.6	64,120	Dec 04	27,570
1975-76	3,230.0	2.7	54.7	39,720	Feb 09	13,900
1976-77	4,710.0	1.6	91.2	66,020	Jan 03	23,300
1977-78	22,700.0	5.4	506.5	366,663	Feb 10	52,700
1978-79	6,240.0	18.8	192.0	139,101	Mar 27	25,800
1979-80	16,800.0	11.0	428.6	303,340	Feb 16	52,200
1980-81	3,340.0	14.9	104.9	75,932	Jan 29	28,200
1981-82	5,870.0	11.0	137.4	99,441	Mar 14	22,800
1982-83	25,100.0	22.2	560.4	405,695	Jan 27	44,500
1983-84	4,030.0	23.0	96.2	69,861	Dec 25	17,000
1984-85	3,380.0	30.0	98.3	71,160	Dec 19	9,270
1985-86	5,110.0	59.0	214.2	155,103	Jan 31	25,400
1986-87	2,090.0	70.2	101.5	73,480	Nov 17	13,000
1987-88	No Record					
1988-89	No Record					
1989-90	No Record					
1990-91	No Record					
1991-92	20,200.0	3.7	463.0	320,800	Feb 12	45,700
1992-93	*	*	*	*		*
1993-94	*	*	*	*		*
1994-95	19,900.0	114.0	*	*	Mar 10	44,900
1995-96	*	*	*	*		*

M Data Missing
 * Record incomplete
 E Estimate
 N.D. Not determined
 ** Record not Computed
 + Less than 0.05 Acre Feet or less than 0.05 CFS, but greater than 0

RUNOFF – STREAM GAGING STATION PEAK FLOW

LOS ANGELES RIVER *above* Arroyo Seco
 STATION NO. F57C-R

Season	Daily CFS			Total Runoff (Acre-feet)	Peak Inflow	
	Maximum	Minimum	Mean		Date	CFS
1996-97	3,760.0	86.0	213.0	154,100	Dec 09	17,900
1997-98	13,900.0	88.0	479.0	346,700	Feb 23	37,800
1998-99	1,520.0	85.0	159.0	113,900	Jan 31	11,600
1999-00	4,370.0	82.0	196.0	142,200	Feb 23	25,200
2000-01	8,010.0	102.0	261.0	188,900	Jan 11	37,500
2001-02	2,542.6	65.1	166.7	120,658.6	Nov 24	20,272
2002-03	13,050.1	87.3	257.0	185,887.3	Feb 12	32,900
2003-04	6,564.3	90.2	187.0	135,870.6	Feb 26	28,100
2004-05	17,500.0	73.0	691.0	500,000.0	Feb 20	35,800
2005-06	5820	65.7	217	156,800	Jan 02	25329

M Data Missing
 * Record incomplete
 E Estimate
 N.D. Not determined
 ** Record not Computed
 + Less than 0.05 Acre Feet or less than 0.05 CFS, but greater than 0

RUNOFF – STREAM GAGING STATION PEAK FLOW

LOS ANGELES RIVER *below* Wardlow River Road
 STATION NO. F319-R

Season	Daily CFS			Total Runoff (Acre-feet)	Peak Inflow	
	Maximum	Minimum	Mean		Date	CFS
1928-29	N.D.	N.D.	N.D.	9,340E	Mar 10	2,870E
1929-30	1,270.0	0.9	17.0	12,310	Mar 15	1,670
1930-31	1,390.0	0.0	19.9	14,400	Feb 03	3,700
1931-32	7,130.0	0.8	70.2	50,960	Feb 09	8,380
1932-33	3,310.0	0.3	31.6	22,890	Jan 19	8,710
1933-34	19,900.0	0.0	93.7	67,860	Jan 01	37,500
1934-35	2,930.0	1.6	55.9	40,470	Apr 08	11,000
1935-36	1,630.0	2.3	28.3	20,470	Feb 12	10,400
1936-37	6,800.0	3.3	126.0	91,110	Feb 14	20,500
1937-38	50,000.0	1.0	564.0	408,000	Mar 02	99,000E
1938-39	6,220.0	3.5	114.0	82,750	Sep 25	17,300
1939-40	2,830.0E	15.0	90.8	65,930	Feb 02	8,440
1940-41	11,120.0	18.0	510.0	369,500	Mar 04	18,170
1941-42	3,180.0	31.0	129.0	93,390	Dec 10	10,800
1942-43	18,100.0	28.0	366.0	264,900	Jan 23	37,900
1943-44	17,190.0	38.0	299.0	217,400	Feb 22	34,000
1944-45	3,020.0	33.0	138.0	100,200	Nov 12	11,600
1945-46	6,440.0	30.0	127.0	91,790	Dec 22	12,800
1946-47	5,750.0	18.0	146.0	106,000	Dec 26	18,810
1947-48	1,540.0	19.0	72.8	52,820	Mar 24	9,310
1948-49	1,790.0	13.0	61.3	44,350	Dec 17	5,520
1949-50	2,360.0	6.3	58.3	42,180	Feb 06	9,090
1950-51	1,610.0	5.6	50.6	36,600	Jan 29	9,040
1951-52	16,310.0	3.8	292.0	212,200	Jan 16	47,800
1952-53	2,932.0	1.9	61.4	44,490	Nov 15	21,100
1953-54	8,120.0	2.5	97.8	70,790	Feb 13	34,760
1954-55	4,180.0	2.2	83.0	60,120	Jan 18	17,750
1955-56	12,700.0	7.0	133.0	96,810	Jan 26	40,500
1956-57	4,550.0	5.5	67.3	48,710	Feb 23	23,000
1957-58	10,400.0	6.4	264.0	191,200	Feb 19	43,800
1958-59	6,340.0	7.2	68.2	49,390	Jan 06	31,000
1959-60	3,420.0	3.7	67.6	49,100	Jan 12	21,700
1960-61	2,860.0	1.3	44.2	32,000	Jan 26	9,450

M Data Missing
 * Record incomplete
 E Estimate
 N.D. Not determined
 ** Record not Computed
 + Less than 0.05 Acre Feet or less than 0.05 CFS, but greater than 0

RUNOFF – STREAM GAGING STATION PEAK FLOW

LOS ANGELES RIVER *below* Wardlow River Road
STATION NO. F319-R

Season	Daily CFS			Total Runoff (Acre-feet)	Peak Inflow	
	Maximum	Minimum	Mean		Date	CFS
1961-62	14,800.0	0.6	245.0	177,400	Feb 12	42,200
1962-63	5,480.0	1.2	75.6	54,700	Feb 09	31,400
1963-64	4,150.0	5.3	64.8	47,020	Jan 22	16,000
1964-65	5,150.0	4.1	106.0	76,680	Apr 09	30,100
1965-66	22,500.0	3.0	342.0	247,900	Dec 29	61,500
1966-67	12,400.0	9.9	237.0	171,900	Nov 07	43,700
1967-68	13,600.0	18.0	173.0	125,800	Mar 08	48,900
1968-69	55,000.0	16.0	1,150.0	832,000	Jan 25	102,000
1969-70	5,300.0	22.0	128.0	92,070	Feb 28	5,300
1970-71	20,600.0	20.0	201*	145,300*	Nov 29	65,100
1971-72	8,550.0	17.0	106.0	77,560	Dec 24	28,700
1972-73	16,170.0	20.0	253.0	183,300	Feb 11	50,800
1973-74	17,200.0	17.0	190.0	137,800	Jan 07	42,800
1974-75	11,200.0	13.0	159.0	115,000	Dec 04	64,470
1975-76	4,660.0	11.5	102.0	72,670	Feb 09	16,020
1976-77	7,130.0	5.3	140.4	101,700	Jan 03	29,528
1977-78	42,323.0	11.0	923.0	668,337	Feb 10	94,800
1978-79	13,000.0	33.0	379.2	274,500	Mar 27	50,900
1979-80	33,437.0	39.0	887.9	544,632	Feb 16	128,700
1980-81	6,550.0	27.0	173.2	125,893	Jan 29	33,800
1981-82	11,400.0	32.0	246.2	178,227	Apr 01	26,800
1982-83	52,000.0	38.0	1,047.0	758,465	Mar 01	81,800
1983-84	6,530.0	41.0	166.8	120,740	Dec 25	22,300
1984-85	6,370.0	34.0	1,970.0	118,440	Dec 19	23,500
1985-86	13,600.0	51.4	338.0	244,741	Feb 15	54,400
1986-87	4,050.0	92.6	164.0	118,510	Nov 18	15,500
1987-88	8,230.0	85.0	242.8	176,277	Dec 04	48,900
1988-89	3,740.0	101.0	195.0	141,249	Dec 16	16,900
1989-90	12,100.0	115.0	196.0	141,594	Feb 17	25,600
1990-91	10,700.0	108.0	310.0	224,410	Feb 28	42,400
1991-92	23,800.0	110.0	668.0	484,849	Feb 12	66,400
1992-93	35,000.0	123.0	1,549.0	1,122,000	Feb 08	86,000
1993-94	4,090.0	113.0	259.0	187,400	Mar 24	19,700

M Data Missing
 * Record incomplete
 E Estimate
 N.D. Not determined
 ** Record not Computed
 + Less than 0.05 Acre Feet or less than 0.05 CFS, but greater than 0

RUNOFF – STREAM GAGING STATION PEAK FLOW

LOS ANGELES RIVER *below* Wardlow River Road
 STATION NO. F319-R

Season	Daily CFS			Total Runoff (Acre-feet)	Peak Inflow	
	Maximum	Minimum	Mean		Date	CFS
1994-95	43,900.0	92.5	1,022.0	740,000	Mar 11	113,000
1995-96	15,100.0	96.8	261.0	189,200	Feb 21	35,400
1996-97	7,390.0	91.0	299.0	216,300	Dec 09	28,600
1997-98	*	*	*	*		*
1998-99	M	*	*			M
1999-00	477.0*	164.0*	203.0*	24,560*		N.D.
2000-01	12,700.0	116.0	405.0	293,500	Jan 11	54,400
2001-02	3,837.8	105.1	185.8	131,061.3	Nov 24	28,837
2002-03	19,959.3	68.4	317.0	229,040.9	Feb 12	58,000
2003-04	15,433.0	86.2	196.0	142,368.5	Feb 26	61,300
2004-05	44,900.0	76.0	1,274.0	922,000.0	Jan 09	71,500
2005-06	7860	110	276	199,500	Jan 02	39328

M	Data Missing
*	Record incomplete
E	Estimate
N.D.	Not determined
**	Record not Computed
+	Less than 0.05 Acre Feet or less than 0.05 CFS, but greater than 0

RUNOFF – STREAM GAGING STATION PEAK FLOW

LOS ANGELES RIVER *below* Firestone Blvd.
STATION NO. F34D-R

Season	Daily CFS			Total Runoff (Acre-feet)	Peak Inflow	
	Maximum	Minimum	Mean		Date	CFS
1927-28	*	0.0	*	6990*	Feb 04	1120*
1928-29	775.0	0.0	13.6	9,830	Nov 14	2,010
1929-30	813.0	0.0	13.4	9,730	Mar 15	2,210
1930-31	1,560.0	1.4	18.6	13,450	Feb 04	4,360
1931-32	2,650.0	0.4	35.3	25,620	Feb 08	4,780
1932-33	2,900.0	0.0	23.5	17,020	Jan 19	7,070
1933-34	8,550.0	0.0	52.9	38,330	Jan 01	29,400
1934-35	1,430.0	0.0	40.3	29,170	Jan 05	10,400
1935-36	1,040.0	0.0	20.5	14,920	Feb 12	5,730
1936-37	3,460.0	0.0	67.2	48,630	Dec 30	10,000E
1937-38	40,000.0	0.0	278.0	201,300	Mar 02	79,000
1938-39	5,090.0E	0.0	108.0	78,440	Sep 25	10,800
1939-40	2,410.0	14.0E	80.5	58,420	Jan 08	7,610
1940-41	7,580.0	10.0	345.0	249,500	Feb 20	14,800
1941-42	2,030.0	27.0	97.8	70,820	Dec 10	8,210
1942-43	10,700.0	18.0	268.0	193,700	Jan 23	27,500
1943-44	13,000.0	38.0	249.0	180,900	Feb 22	24,800
1944-45	1,980.0	16.0	91.0	65,900	Feb 02	6,970
1945-46	4,000.0	8.4	95.8	69,310	Dec 22	12,500
1946-47	2,760.0	14.0	99.7	72,180	Dec 25	14,900
1947-48	1,280.0	10.0	52.8	38,350	Mar 24	8,980
1948-49	1,130.0	11.0	49.1	35,550	Dec 17	5,300
1949-50	1,770.0	8.5	43.9	31,760	Feb 06	8,480
1950-51	898.0	7.5	35.3	25,560	Jan 11	5,840
1951-52	12,000.0	1.8	249.0	180,500	Jan 16	32,900
1952-53	2,000.0	1.4	57.1	41,380	Nov 15	14,100
1953-54	4,190.0	1.2	70.9	51,330	Feb 13	19,500
1954-55	2,470.0	6.2	54.3	39,340	Jan 18	13,700
1955-56	12,000.0	8.2	91.5	66,440	Jan 26	28,900
1956-57	3,960.0	3.8	53.2	38,500	Feb 23	24,600
1957-58	6,290.0	4.3	191.0	138,400	Feb 19	34,100
1958-59	4,660.0	5.9	51.4	37,210	Jan 06	24,200
1959-60	2,090.0	4.0	43.6	31,610	Jan 12	10,700

M Data Missing
 * Record incomplete
 E Estimate
 N.D. Not determined
 ** Record not Computed
 + Less than 0.05 Acre Feet or less than 0.05 CFS, but greater than 0

RUNOFF – STREAM GAGING STATION PEAK FLOW

LOS ANGELES RIVER *below* Firestone Blvd.
STATION NO. F34D-R

Season	Daily CFS			Total Runoff (Acre-feet)	Peak Inflow	
	Maximum	Minimum	Mean		Date	CFS
1960-61	2,230.0	4.5	32.6	23,600	Nov 05	7,810
1961-62	9,630.0	3.8	170.0	123,300	Feb 12	28,400
1962-63	4,080.0	4.3	56.2	40,690	Feb 09	19,300
1963-64	2,810.0	2.6	49.6	36,030	Jan 21	11,400
1964-65	3,380.0	4.3	66.5	48,110	Apr 09	18,700
1965-66	15,700.0	4.3	209.0	151,200	Dec 29	37,000
1966-67	10,000.0	6.0	159.0	114,800	Nov 07	37,100
1967-68	9,410.0	13.0	116.0	84,240	Mar 08	37,400
1968-69	31,800.0	12.0	541.0	391,800	Jan 25	58,000
1969-70	4,250.0	13.0	90.4	65,440	Feb 28	20,900
1970-71	16,700.0	11.0	162.0	117,300	Nov 29	49,800
1971-72	6,980.0	14.0	86.6	62,890	Dec 24	27,400
1972-73	14,470.0	13.0	221.0	160,300	Jan 18	49,020
1973-74	15,690.0	10.6	157.0	113,600	Jan 07	32,300
1974-75	8,480.0	9.0	119.0	86,470	Dec 04	53,950
1975-76	3,390.0	6.0	68.0	48,400	Sep 10	8,160E
1976-77	5,550.0	5.4	115.0	83,300	Jan 03	30,900
1977-78	73,000.0	7.8	740.2	536,000	Feb 10	73,400
1978-79	*	*	*	*	Mar 27	*
1979-80	21,500.0	30.2	522.1	369,810	Feb 16	74,400
1980-81	3,870.0	26.6	128.4	93,065	Jan 29	33,600
1981-82	5,730.0	24.6	178.0	128,979	Mar 14	29,400
1982-83	32,400.0	33.7	729.0	527,837	Mar 01	58,400
1983-84	5,650.0	22.8	131.0	94,770	Dec 05	22,400
1984-85	4,560.0	33.7	127.6E	46,523		N.D.
1985-86	*	*	*	*		*
1986-87	*	*	*	*		*
1987-88	NO RECORD					
1988-89	*	*	*	*		*
1989-90	6,060.0	100.0	150.0	108,676	Feb 17	14,700
1990-91	7,850.0	99.0	243.0	178,822	Feb 27	37,300
1991-92	16,500.0	101.0	431.0	313,100	Feb 12	49,800
1992-93	17,000.0	111.0	740.0	536,100	Dec 07	60,400

M Data Missing
 * Record incomplete
 E Estimate
 N.D. Not determined
 ** Record not Computed
 + Less than 0.05 Acre Feet or less than 0.05 CFS, but greater than 0

RUNOFF – STREAM GAGING STATION PEAK FLOW

LOS ANGELES RIVER *below* Firestone Blvd.
STATION NO. F34D-R

Season	Daily CFS			Total Runoff (Acre-feet)	Peak Inflow	
	Maximum	Minimum	Mean		Date	CFS
1993-94	3,870.0	92.6	192.0	138,800	Feb 20	21,100
1994-95	24,200.0	96.5	487.0	352,800	Mar 11	74,300
1995-96	9,110.0	87.2	189.0	137,200	Feb 21	37,900
1996-97	6,170.0	98.0	232.0	168,000	Dec 09	29,900
1997-98	23,600.0	96.0	732.0	530,100	Feb 03	60,100
1998-99	4,100.0	88.0	241.0	174,200	Jan 31	20,500
1999-00	7,260.0	88.0	273.0	198,300	Feb 23	43,100
2000-01	10,100.0	88.0	345.0	250,100	Jan 11	49,600
2001-02	Unreliable	data			Nov 24	890
2002-03	15,712.7	104.8	259.0	187,881.1		N.D.
2003-04	3,302.7	124.4	153.0	107,052.9		N.D.
2004-05	3,080.0	124.0	218	158,000.0	Dec 28	5897
2005-06	4920	130	219	158,800	Feb 27	13394

M	Data Missing
*	Record incomplete
E	Estimate
N.D.	Not determined
**	Record not Computed
+	Less than 0.05 Acre Feet or less than 0.05 CFS, but greater than 0

RUNOFF – STREAM GAGING STATION PEAK FLOW

LOS ANGELES RIVER @ Tujunga Avenue
STATION NO. F300-R

Season	Daily CFS			Total Runoff (Acre-feet)	Peak Inflow	
	Maximum	Minimum	Mean		Date	CFS
1950-51	181.0	2.6	12.3	8,910	Jan 29	598
1951-52	5,360.0	3.1	101.0	73,040	Jan 15	13,200
1952-53	851.0	6.5	27.1	19,610	Dec 01	2,900
1953-54	1,360.0	4.6	27.2	19,690	Feb 13	5,190
1954-55	842.0	5.7	30.4	22,000	Jan 10	4,560
1955-56	3,890.0	5.7	35.1	25,490	Jan 16	6,800
1956-57	1,300.0	4.5	27.2	19,700	Jan 13	6,060
1957-58	3,530.0	3.8	100.0	72,710	Apr 03	10,800
1958-59	2,080.0	4.8	29.2	21,180	Jan 06	12,800
1959-60	1,040.0	4.0	28.0	20,650	Jan 12	6,900
1960-61	1,010.0	3.2	18.3	13,260	Nov 05	6,600
1961-62	6,170.0	2.6	97.7	70,690	Feb 12	21,000
1962-63	2,200.0	4.0	34.1	24,690	Feb 09	8,700
1963-64	1,440.0	3.6	35.4	25,730	Jan 22	7,910
1964-65	2,020.0	5.0	50.4	36,490	Apr 09	7,840
1965-66	8,990.0	8.2	126.0	91,340	Dec 29	20,500
1966-67	5,860.0	5.2	83.3	60,320	Nov 07	21,000
1967-68	5,720.0	5.5	66.8	48,500	Mar 08	18,300
1968-69	19,100.0	4.8	355.0	256,800	Jan 25	30,800
1969-70	2,450.0	6.4	55.4	40,080	Mar 04	11,600
1970-71	9,170.0	7.0	95.4	69,090	Nov 29	25,900
1971-72	2,800.0	7.8	38.0	27,520	Dec 27	11,000
1972-73	6,470.0	5.5	101.0	73,100	Jan 18	17,900
1973-74	7,650.0	5.0	73.0	52,830	Jan 07	16,100
1974-75	3,570.0	5.0	57.1	41,310	Dec 04	16,740
1975-76	2,440.0	3.7	35.5	25,200	Feb 09	9,680
1976-77	2,920.0	1.5	50.9	36,850	Jan 03	15,300
1977-78	19,200.0	0.8	454.6	329,106	Feb 10	30,100
1978-79	5,210.0	5.5	136.0	98,301	Mar 27	22,500
1979-80	9,440.0	8.4	284.9	202,020	Feb 16	27,625
1980-81	2,600.0	10.0	77.7	56,220	Jan 29	17,940
1981-82	3,610.0	5.0	72.7	52,648	Mar 17	17,800
1982-83	19,580.0	5.7	416.8	301,711	Mar 01	27,625

M Data Missing
 * Record incomplete
 E Estimate
 N.D. Not determined
 ** Record not Computed
 + Less than 0.05 Acre Feet or less than 0.05 CFS, but greater than 0

RUNOFF – STREAM GAGING STATION PEAK FLOW

LOS ANGELES RIVER @ Tujunga Avenue
STATION NO. F300-R

Season	Daily CFS			Total Runoff (Acre-feet)	Peak Inflow	
	Maximum	Minimum	Mean		Date	CFS
1983-84	NO RECORD					
1984-85	1,820.0	8.1	47.4	34,312	Dec 18	6,740
1985-86	3,060.0	20.0	126.0	91,248	Jan 31	16,700
1986-87	*	*	*	*		*
1987-88	3,850.0	31.7	164.4	118,911	Oct 22	24,300
1988-89	1,460.0	59.8	103.4	74,960	Dec 24	5,140
1989-90	2,910.0	55.6	93.5	67,699	Feb 17	7,296
1990-91	3,130.0	14.4	113.7	82,553	Feb 27	13,500
1991-92	10,800.0	33.7	239.0	173,398	Feb 11	22,300
1992-93	10,600.0	51.9	416.0	301,300	Feb 07	25,700
1993-94	2,390.0	54.7	133.0	96,020		N.D.
1994-95	10,800.0	53.7	252.0	167,800	Mar 10	35,000
1995-96	3,110.0	51.0	117.0	84,630	Feb 21	13,000
1996-97	2,590.0	53.0	156.0	112,700	Dec 09	12,300
1997-98	11,900.0	63.0	420.0	304,200	Feb 23	30,500
1998-99	1,200.0	35.0	85.1	61,630	Jan 31	9,320
1999-00	1,200.0	35.0	85.1	61,630	Feb 23	9,320
2000-01	2,790.0	47.0	134.0	97,450	Jan 11	17,200
2001-02	1,489.4	26.6	90.5	65,515.0	Nov 24	12,815
2002-03	10,976.2	43.3	187.0	135,474.1	Feb 12	25,000
2003-04	3,711.5	42.1	110.0	80,739.7	Feb 26	16,400
2004-05	15,800.0	35.0	582.0	421,000.0	Jan 09	25,300
2005-06	3540	45.2	157	113,700	Jan 02	15647

M	Data Missing
*	Record incomplete
E	Estimate
N.D.	Not determined
**	Record not Computed
+	Less than 0.05 Acre Feet or less than 0.05 CFS, but greater than 0

RUNOFF – STREAM GAGING STATION PEAK FLOW

**MALIBU CREEK *below* Cold Creek
STATION NO. F130-R**

Season	Daily CFS			Total Runoff (Acre-feet)	Peak Inflow	
	Maximum	Minimum	Mean		Date	CFS
1930-31	*	*	*	1,920*	Feb 04	723
1931-32	1,770.0	+	20.2	14,670	Feb 09	3,100
1932-33	1,100.0	0.1	12.7	9,190	Jan 19	4,460
1933-34	3,160.0	0.1	17.1	12,370	Jan 01	9,650
1934-35	511.0	+	8.6	6,220		N.D.
1935-36	92.0	0.0	3.2	2,310	Feb 23	147
1936-37	1,680.0	0.0	33.1	23,940	Feb 14	2,760
1937-38	5,090.0E	0.2	47.1	34,100	Mar 02	10,000E
1938-39	139.0	0.0	6.4	4,630	Dec 20	331
1939-40	335.0	+	8.4	6,100	Feb 02	690
1940-41	2,200.0	0.1	101.0	73,220	Feb 20	3,620
1941-42	32.0	0.1	2.5	1,820	Dec 28	140
1942-43	5,370.0	0.1	65.8	47,600	Jan 22	12,200
1943-44	3,400.0	0.7	41.6	30,170	Feb 22	7,700
1944-45	210.0	0.2	5.8	4,240	Feb 02	516
1945-46	267.0	0.1	5.2	3,800	Mar 30	506
1946-47	142.0	0.1	5.3	3,820	Nov 13	980
1947-48	15.0	+	0.2	177.0	Mar 24	113
1948-49	0.6	+	0.1	90.0	May 18	1
1949-50	64.0	0.0	0.7	477.0	Feb 06	674
1950-51	0.3	0.0	0.1	56.0	Jan 11	3
1951-52	6,720.0	0.0	80.2	58,200	Mar 15	13,600
1952-53	81.0	+	4.0	2,940	Nov 15	322
1953-54	655.0	0.1	6.9	4,990	Feb 13	2,250
1954-55	16.0	0.1	1.0	758.0	Jan 18	45
1955-56	1,260.0	0.1	6.5	4,680	Jan 26	3,600
1956-57	12.0	+	0.6	444.0	Feb 23	46
1957-58	1,630.0	+	43.7	31,660	Apr 03	4,260
1958-59	114.0	0.1	2.1	1,510	Jan 06	3,180
1959-60	17.0	+	0.7	504.0	Apr 27	84
1960-61	2.0	+	0.1	99.0	Jan 26	8
1961-62	3,920.0	+	36.3	26,150	Feb 10	7,060
1962-63	24.0	+	1.0	701.0	Mar 16	104

M Data Missing
 * Record incomplete
 E Estimate
 N.D. Not determined
 ** Record not Computed
 + Less than 0.05 Acre Feet or less than 0.05 CFS, but greater than 0

RUNOFF – STREAM GAGING STATION PEAK FLOW

**MALIBU CREEK *below* Cold Creek
STATION NO. F130-R**

Season	Daily CFS			Total Runoff (Acre-feet)	Peak Inflow	
	Maximum	Minimum	Mean		Date	CFS
1963-64	17.0	+	0.5	384.0	Jan 22	65
1964-65	148.0	+	2.2	1,560	Apr 09	521
1965-66	7,060.0	0.2	51.8	37,520	Dec 29	20,600
1966-67	2,710.0	0.9	35.5	25,700	Jan 24	10,200
1967-68	1,350.0	1.0	18.5	13,430	Mar 08	3,830
1968-69	24,200.0	1.4	166.0	119,900	Jan 25	33,800
1969-70	368.0	0.5	9.9	7,200	Mar 04	1,150
1970-71	1,480.0	1.2	23.7	17,300	Dec 19	7,390
1971-72	582.0	0.9	6.0	4,340	Dec 27	2,120
1972-73	3,340.0	0.8	35.1	25,400	Feb 11	7,480
1973-74	2,240.0	2.7	22.0	15,910	Jan 07	5,100
1974-75	519.0	2.3	15.2	11,020	Dec 04	2,670
1975-76	163.0	1.1	5.4	3,910	Feb 09	339
1976-77	315.0	1.1	6.9	4,980	Jan 07	597
1977-78	7,620.0	1.7	112.4	80,990	Mar 04	19,400
1978-79	1,220.0	2.3	46.4	33,408	Mar 27	4,420
1979-80	*	*	*	*	Feb 16	*
1980-81	357.0	1.7	13.5	9,832	Mar 05	910
1981-82	400.0	2.2	13.9	10,031	Mar 17	676
1982-83	7,720.0	2.7	121.8	88,148	Mar 01	24,200
1983-84	758.0	2.5	24.1	17,411	Dec 25	1,840
1984-85	588.0	0.9	16.6	12,002	Dec 19	880
1985-86	1,480.0	1.4	39.3	27,881	Feb 15	5,880
1986-87	216.0	0.5	8.6	6,236	Nov 18	653
1987-88	559.0	0.6	24.0	17,337	Feb 28	1,680
1988-89	257.0	1.6	12.3	8,876	Feb 09	441
1989-90	*	*	*	*		*
1990-91	982.0	0.8	20.5	14,872	Mar 19	3,150
1991-92	5,850.0	2.0	92.7	67,330	Feb 10	23,300
1992-93	*	*	*	*		*
1993-94	880.0	0.9	16.7	11,090	Feb 20	2,450
1994-95	4,530.0	3.1	97.8	68,700	Mar 11	15,700
1995-96	637.0	1.5	12.9	9,395	Feb 21	1,220

M Data Missing
 * Record incomplete
 E Estimate
 N.D. Not determined
 ** Record not Computed
 + Less than 0.05 Acre Feet or less than 0.05 CFS, but greater than 0

RUNOFF – STREAM GAGING STATION PEAK FLOW

MALIBU CREEK *below* Cold Creek
STATION NO. F130-R

Season	Daily CFS			Total Runoff (Acre-feet)	Peak Inflow	
	Maximum	Minimum	Mean		Date	CFS
1996-97	807.0	3.2	43.1	31,180	Dec 09	1,800
1997-98	4,020.0	2.4	113.0	81,700	Feb 07	19,100
1998-99	134.0	2.8	10.3	7,430	Apr 11	761
1999-00	701.0	1.4	22.6	16,440	Feb 23	2,380
2000-01	3,950.0	0.6	53.8	38,920	Mar 06	10,900
2001-02	93.3	0.9	10.6	7,670.1	Nov 24	413
2002-03	1,978.6	1.9	25.9	18,761.4	Feb 12	5,410
2003-04	1,470.2	1.2	13.0	9,441.6	Feb 26	5,130
2004-05	7,330.0	1.3	143	103,000.0	Jan 09	12,700
2005-06	845	3.08	31.9	23,130	Jan 02	2586

M	Data Missing
*	Record incomplete
E	Estimate
N.D.	Not determined
**	Record not Computed
+	Less than 0.05 Acre Feet or less than 0.05 CFS, but greater than 0

RUNOFF – STREAM GAGING STATION PEAK FLOW

MESCAL CREEK @Mouth of Canyon
STATION NO. F395-R

Season	Daily CFS			Total Runoff (Acre-feet)	Peak Inflow	
	Maximum	Minimum	Mean		Date	CFS
1982-83*	72.0	0.0	5.2	3,795.0	Mar 01	120
1983-84	17.3	0.0	2.6	1,905.1	Dec 25	35
1984-85	1.6	0.0	0.2	139.6	Dec 27	8
1985-86	40.9	0.0	1.1	794.2	Feb 15	115
1986-87	1.7	0.0	0.1	39.1	Mar 07	8
1987-88	5.4	0.0	0.4	324.7		
1988-89	3.7	0.0	0.2	121.2	Mar 04	16
1989-90*	3.5	0.0	0.1	26.8		
1990-91	20.8	0.0	8.4	511.7		
1991-92*	59.7	0.0	2.1	1,235.0		
1992-93*	153.0	0.0	11.4	4,538.0		
1993-94	NO RECORD					
1994-95	69.3	0.0	3.0	2,184.0	Mar 05	132
1995-96*	13.6	0.0	0.5	369.0	Apr 08	127
1996-97	17.0	0.0	0.4	264.0	Jan 26	40
1997-98	71.0	0.0	4.2	3,050.0	Feb 23	174
1998-99	1.0	0.0	0.1	104.0	Jul 14	3
1999-00*	2.0	0.0	0.2	124.0	Feb 21	4
2000-01	14.0	0.0	1.3	952.0	May 21	15
2001-02	0.5	0.0	0.0	1.0	Nov 24	8
2002-03	0.0	0.0	0.2	0.0	Sep 03	247
2003-04	3.8	0.0	0.1	75.0	Dec 25	23
2004-05	209.0	0.0	8.3	5,980.0	Jan 09	370
2005-06	10.6	0*	1.71	1,130	Dec 31	121

M	Data Missing
*	Record incomplete
E	Estimate
N.D.	Not determined
**	Record not Computed
+	Less than 0.05 Acre Feet or less than 0.05 CFS, but greater than 0

RUNOFF – STREAM GAGING STATION PEAK FLOW

MINT CANYON CREEK @ Fitch Avenue
STATION NO. F328-R

Season	Daily CFS			Total Runoff (Acre-feet)	Peak Inflow	
	Maximum	Minimum	Mean		Date	CFS
1957-58	66.0	0.0	0.6	435.0	Dec 15	708
1958-59	14.0	0.0	+	44.0	Jan 06	317
1959-60	0.3	0.0	+	2.0	Jan 10	8
1960-61	3.6	0.0	+	14.0	Nov 05	64
1961-62	49.0	0.0	0.4	257.0	Feb 11	176
1962-63	3.0	0.0	+	26.0	Sep 18	70
1963-64	13.0	0.0	0.1	45.0	Apr 01	111
1964-65	17.0	0.0	0.1	66.0	Apr 08	94
1965-66	71.0	0.0	0.8	588.0	Nov 17	684
1966-67	14.0	0.0	0.1	72.0	Dec 03	185
1967-68	13.0	0.0	+	34.0	Nov 19	251
1968-69	1,030.0	0.0	4.4	3,190	Feb 25	3,500
1969-70	5.0	0.0	0.1	25.0	Feb 28	46
1970-71	85.0	0.0	0.4	328.0	Nov 29	943
1971-72	5.9	0.0	0.1	35.0	Dec 27	60
1972-73	25.0	0.0	0.2	117.0	Feb 11	184
1973-74	2.8	0.0	+	13.0	Jan 07	11
1974-75	4.4	0.0	+	27.0	Mar 08	85
1975-76	12.0	0.0	0.1	46.0	Sep 05	389
1976-77	3.9	0.0	0.0	18.0	May 08	43
1977-78	*	*	*	*	Mar 04	*
1978-79	48.0	0.0	0.2	144.0	Mar 28	395
1979-80	119.4	0.0	1.7	1,201	Feb 16	415
1980-81	8.2	0.0	0.3	237.0	Jan 28	80
1981-82	22.6	0.0	8.6	483.0	Mar 17	157
1982-83	392.0	0.0	2.6	1,873	Mar 02	1,353
1983-84	1.8	0.0	0.2	202.0	Dec 25	6
1984-85	16.1	0.0	0.1	65.0	Dec 19	46
1985-86	59.7	0.0	9.9	302.0	Mar 16	188
1986-87	0.0	0.0	0.0	0.0		0
1987-88	8.8	0.0	0.1	46.0		N.D.
1988-89	19.0	0.0	0.2	131.0	Feb 09	71
1989-90	37.8	0.0	0.5	356.0		N.D.

M Data Missing
 * Record incomplete
 E Estimate
 N.D. Not determined
 ** Record not Computed
 + Less than 0.05 Acre Feet or less than 0.05 CFS, but greater than 0

RUNOFF – STREAM GAGING STATION PEAK FLOW

MINT CANYON CREEK @ Fitch Avenue
STATION NO. F328-R

Season	Daily CFS			Total Runoff (Acre-feet)	Peak Inflow	
	Maximum	Minimum	Mean		Date	CFS
1990-91	0.0	0.0	0.0	0.0		0
1991-92	*	*	*	*		*
1992-93	77.1	0.0	4.0	2,929	Mar 22	87
1993-94	1.5	0.0	0.5	392.0	Feb 04	2
1994-95	43.5*	0.1*	*	*	Jan 10	157
1995-96	60.4	0.0	0.7	478.0		*
1996-97	4.0	0.0	0.1	59.0	Jan 26	33
1997-98	276.0	0.0	1.5	1,080	Feb 23	1,560
1998-99	4.7	0.0	0.1	68.0	Oct 18	27
1999-00	40.0	0.0	0.3	219.0	Feb 23	167
2000-01	13.0	0.0	0.1	57.0	Feb 13	50
2001-02	0.7	0.0	0.0	9.1	Nov 24	3
2002-03	0.0	0.0	0.5	0.0	Feb 12	539
2003-04	8.9	0.0	0.0	51.3	Feb 26	20
2004-05	229.0	0.0	2.7	1,930.0	Jan 09	550
2005-06	12.5	0.0	0.15	97	Jan 02	155

M	Data Missing
*	Record incomplete
E	Estimate
N.D.	Not determined
**	Record not Computed
+	Less than 0.05 Acre Feet or less than 0.05 CFS, but greater than 0

RUNOFF – STREAM GAGING STATION PEAK FLOW

MONTEBELLO STORM DRAIN *outlet to Rio Hondo*
STATION NO. F181-R

Season	Daily CFS			Total Runoff (Acre-feet)	Peak Inflow	
	Maximum	Minimum	Mean		Date	CFS
1931-32	*	0.0	*	1,120*	Jan 31	531
1932-33	125.0	0.0	0.8	529.0	Jan 19	713
1933-34	391.0	0.0	2.6	1,910	Jan 01	1,360
1934-35	114.0	0.0	2.3	1,650	Jan 05	1,140
1935-36	55.0	0.0	1.2	889.0	Feb 14	374
1936-37	NO RECORD					
1937-38	N.D.	N.D.	N.D.	N.D.	Mar 02	1,400E
1938-39	147.0	0.0	1.4	981.0	Sep 25	688
1939-40	77.0	0.1	1.2	885.0	Feb 01	729
1940-41	204.0	0.1	5.6	4,090	Mar 03	936
1941-42	102.0	0.1	1.3	962.0	Dec 10	521
1942-43	300.0E	0.1	3.6	2,580		N.D.
1943-44	323.0E	0.1	3.3	2,390	Feb 22	1,040
1944-45	64.0	0.1E	0.8	768.0	Nov 11	506
1945-46	92.0	0.0	1.2	865.0	Dec 22	384
1946-47	144.0	0.1	1.9	1,350	Nov 13	1,240
1947-48	86.0	0.1	1.3	913.0	Dec 05	1,220
1948-49	41.0	0.1	1.2	861.0	Dec 17	347
1949-50	95.0	0.1	1.7	1,240	Jan 08	790
1950-51	50.0	0.1	1.2	888.0	Jan 10	333
1951-52	302.0	0.1	4.6	3,330	Mar 07	1,010
1952-53	97.0	0.1	2.0	1,430	Nov 15	770
1953-54	232.0	0.1	3.0	2,190	Feb 13	1,010
1954-55	*	*	*	1,210*	Jan 18	759
1955-56	463.0	+	2.9	2,110	Jan 26	856
1956-57	65.0	+	1.6	1,120	Feb 28	570
1957-58	199.0	+	4.5	3,250	Feb 19	865
1958-59	109.0	0.1	1.7	1,230	Jan 06	869
1959-60	96.0	0.1	2.1	1,530	Jan 12	784
1960-61	65.0	0.1	1.2	884.0	Nov 26	478
1961-62	225.0	0.1	4.6	3,370	Feb 12	783
1962-63	129.0	0.3	2.1	1,530	Mar 16	851
1963-64	77.0	0.2	1.8	1,280	Nov 19	553

M Data Missing
 * Record incomplete
 E Estimate
 N.D. Not determined
 ** Record not Computed
 + Less than 0.05 Acre Feet or less than 0.05 CFS, but greater than 0

RUNOFF – STREAM GAGING STATION PEAK FLOW

MONTEBELLO STORM DRAIN *outlet to Rio Hondo*
STATION NO. F181-R

Season	Daily CFS			Total Runoff (Acre-feet)	Peak Inflow	
	Maximum	Minimum	Mean		Date	CFS
1964-65	124.0	+	2.7	1,970	Apr 09	844
1965-66	281.0	0.1	4.4	3,200	Dec 29	904
1966-67	288.0	0.2	4.9	3,560	Jan 24	1,060
1967-68	198.0	0.2	2.9	2,130	Mar 08	923
1968-69	424.0	0.2	8.5	6,165	Jan 25	1,600E
1969-70	135.0	+	2.4	1,740	Feb 10	792
1970-71	169.0	+	2.8	2,000	Nov 29	833
1971-72	142.0	0.2	1.6	1,160	Dec 24	637
1972-73	140.0	0.1	3.8	2,740	Feb 27	811
1973-74	128.0	+	1.4	988.0	Jan 07	546
1974-75	61.0	+	1.0	748.0	Dec 04	608
1975-76	39.0	+	0.8	603.0	Sep 11	240
1976-77	36.1	0.0	0.7	490.0	May 08	226
1977-78	318.0	0.0	4.2	3,050	Jan 16	991
1978-79	107.0	0.0	1.7	1,239	Mar 27	619
1979-80	809.0	0.0	9.6	6,759		N.D.
1980-81	52.8	0.0	0.7	515.0	Mar 02	293
1981-82	62.2	0.0	1.0	728.0	Nov 28	341
1982-83	630.0	0.0	6.0	4,319	Mar 01	1,620
1983-84	31.7	0.0	6.0	455.0	Oct 01	506
1984-85	43.5	0.0	0.9	644.0	Dec 19	469
1985-86	77.6	0.0	1.4	1,327	Feb 14	676
1986-87	38.6	0.0	0.5	391.0	Oct 02	520
1987-88	81.2	0.0	1.1	775.0	Jan 17	493
1988-89	30.3	0.1	1.0	726.0	Dec 21	255
1989-90	110.0	0.1	1.1	767.0	Feb 17	500
1990-91	74.8	0.0	1.3	907.0	Feb 27	486
1991-92	183.0	0.1	2.2	1,565	Feb 12	1,020
1992-93	204.0	0.0	4.6	3,364	Dec 07	1,040
1993-94	47.7	0.0	0.7	536.0	Mar 19	542
1994-95	131.0	0.0	4.0	2,896	Jan 10	1,340
1995-96	134.0	0.0	1.1	792.0	Feb 20	899
1996-97	35.0	0.0	1.0	745.0	Jan 15	290

M Data Missing
 * Record incomplete
 E Estimate
 N.D. Not determined
 ** Record not Computed
 + Less than 0.05 Acre Feet or less than 0.05 CFS, but greater than 0

RUNOFF – STREAM GAGING STATION PEAK FLOW

MONTEBELLO STORM DRAIN *outlet to Rio Hondo*
 STATION NO. F181-R

Season	Daily CFS			Total Runoff (Acre-feet)	Peak Inflow	
	Maximum	Minimum	Mean		Date	CFS
1997-98	60.0	+	1.7	1,230	Feb 06	658
1998-99	26.0	0.0	0.5	358.0	Nov 28	214
1999-00	124.0	0.1	1.8	1,270	Feb 23	254
2000-01	66.0	+	1.5	1,060	Jan 12	641
2001-02	29.8	0.0	0.4	297.9	Nov 24	472
2002-03	128.8	0.0	1.4	1,037.4	Feb 12	644
2003-04	64.8	0.0	0.9	643.3	Feb 25	663
2004-05	82.0	0.1	1.0	720.0	Jan 09	190
2005-06	42.7	0.15	0.58	421	Feb 07	56

M	Data Missing
*	Record incomplete
E	Estimate
N.D.	Not determined
**	Record not Computed
+	Less than 0.05 Acre Feet or less than 0.05 CFS, but greater than 0

RUNOFF – STREAM GAGING STATION PEAK FLOW

PACOIMA CREEK FLUME *below* Pacoima Dam
 STATION NO. F118B-R

Season	Daily CFS			Total Runoff (Acre-feet)	Peak Inflow	
	Maximum	Minimum	Mean		Date	CFS
1931-32	75.0	0.0	11.7	8,408.8	Feb 16	75
1932-33	27.8	0.0	2.5	1,790.8	Apr 13	81
1933-34	39.7	0.1	3.9	2,543.5	Jan 26	54
1934-35	56.0	0.0	9.0	3,961.6	Aug 21	174
1935-36	57.0	0.0	4.2	3,021.2	May 13	153
1936-37	216.0	0.0	20.7	14,559.0	Mar 02	233
1937-38	339.0	0.0	33.1	22,739.1	Mar 02	685
1938-39	49.0	0.1	4.9	3,079.2	Jan 20	51
1939-40	123.0	0.1	4.5	3,177.9	Feb 04	169
1940-41	431.0	0.0	41.0	26,430.0	Mar 05	460
1941-42	25.0	0.0	3.5	1,986.6	Jul 15	97
1942-43	576.0	0.0	31.3	20,401.8	Jan 23	598
1943-44	305.0	0.0	21.0	15,136.5	Mar 02	326
1944-45	174.0	0.0	7.6	4,909.3	Feb 02	397
1945-46	137.0	0.0	8.3	2,904.0	Feb 05	241
1946-47	230.0	0.0	8.2	6,026.4	Jan 07	237
1947-48	6.4	0.0	0.4	322.5	Jun 22	10
1948-49	7.9	0.0	1.4	739.8	Jun 24	10
1949-50	98.0	0.0	1.4	1,020.7	Apr 11	314
1950-51	5.3	0.0	0.1	66.0	Jun 12	17
1951-52	416.0	0.0	19.6	14,350.4	Jan 18	634
1952-53	157.0	0.0	4.9	3,502.0	Nov 17	163
1953-54	229.0	0.0	4.1	2,941.9	Apr 05	292
1954-55	14.7	0.0	1.0	737.1	Apr 21	42
1955-56	5.2	0.0	1.7	1,251.8	Nov 23	66
1956-57	28.0	0.0	1.1	774.5	May 07	47
1957-58	N.D.					
1958-59	N.D.					
1959-60	3.7	0.0	0.4	268.8	Aug 02	4
1960-61	0.1	0.0	0.0	6.2		0
1961-62	160.0	0.0	9.2	6,340.4	Apr 07	511
1962-63	20.0	0.0	0.3	193.2	Sep 25	23
1963-64	19.3	0.0	0.9	666.8	Jun 15	117

M Data Missing
 * Record incomplete
 E Estimate
 N.D. Not determined
 ** Record not Computed
 + Less than 0.05 Acre Feet or less than 0.05 CFS, but greater than 0

RUNOFF – STREAM GAGING STATION PEAK FLOW

PACOIMA CREEK FLUME *below* Pacoima Dam
 STATION NO. F118B-R

Season	Daily CFS			Total Runoff (Acre-feet)	Peak Inflow	
	Maximum	Minimum	Mean		Date	CFS
1964-65	5.1	0.0	1.4	996.5	May 07	5
1965-66	480.0	0.0	20.9	15,184.1	Nov 23	664
1966-67	193.0	0.0	32.5	23,601.5	Jul 06	197
1967-68	N.D.					
1968-69	N.D.					
1969-70	N.D.					
1970-71	N.D.					
1971-72	N.D.					
1972-73	N.D.					
1973-74	N.D.					
1974-75	66.0	0.1	3.5	2,527.5	Dec 12	211
1975-76	63.8	0.1	2.2	1,613.6	Jun 15	66
1976-77	25.9	0.0	0.7	507.8	Apr 04	460
1977-78	1,029.0	0.0	54.7	39,723.8	Mar 04	39,724
1978-79	134.4	0.0	16.6	12,016.9		
1979-80	980.0	0.0	35.8	26,180.6	Feb 16	977
1980-81	124.0	0.0	4.7	3,438.5	Feb 05	134
1981-82	131.0	0.2	6.7	4,868.4	Mar 26	135
1982-83	2,044.0	0.2	61.4	44,490.0	Mar 01	3,941
1983-84	101.0	0.0	1.9	1,386.2	Jan 25	252
1984-85	170.0	0.0	4.8	3,466.9		
1985-86	110.0	0.0	9.8	7,083.0	May 27	245
1986-87	33.6	0.0	0.0	0.0		
1987-88	58.9	0.0	4.7	3,366.1		
1988-89	36.0	0.0	2.6	1,924.8	Dec 21	309
1989-90	93.5	0.0	0.7	675.0	Oct 11	308
1990-91	355.0	0.0	40.5	26,401.4		
1991-92	704.0	0.0	28.7	20,798.0	Feb 12	917
1992-93	688.0	0.0	69.8	50,500.0	Jan 13	745
1993-94*	71.3	0.0	4.2	774.0		
1994-95	N.D.					
1995-96	N.D.					
1996-97	174.0	0.6	7.5	5,430.0		

M Data Missing
 * Record incomplete
 E Estimate
 N.D. Not determined
 ** Record not Computed
 + Less than 0.05 Acre Feet or less than 0.05 CFS, but greater than 0

RUNOFF – STREAM GAGING STATION PEAK FLOW

PACOIMA CREEK FLUME *below* Pacoima Dam
 STATION NO. F118B-R

Season	Daily CFS			Total Runoff (Acre-feet)	Peak Inflow	
	Maximum	Minimum	Mean		Date	CFS
1997-98	1,020.0	0.0	43.8	31,700.0		
1998-99	38.0	0.0	2.9	2,100.0	Nov 19	196
1999-00	30.0	0.0	2.5	1,830.0	Jun 22	224
2000-01	54.0	0.0	3.7	2,710.0	Jun 05	188
2001-02	62.9	0.0	0.6	407.7	Oct 23	114
2002-03	78.0	0.0	3.7	2,646.8	May 22	365
2003-04	133.1	0.0	1.4	1,524.9	Oct 21	400
2004-05	856.0	0.0	45.2	32,700.0	Jan 09	987
2005-06	212	0.0	11.4	8,230	Jan 11	397

M	Data Missing
*	Record incomplete
E	Estimate
N.D.	Not determined
**	Record not Computed
+	Less than 0.05 Acre Feet or less than 0.05 CFS, but greater than 0

RUNOFF – STREAM GAGING STATION PEAK FLOW

PACOIMA DIVERSION @ Branford Street
STATION NO. F305-R

Season	Daily CFS			Total Runoff (Acre-feet)	Peak Inflow	
	Maximum	Minimum	Mean		Date	CFS
1953-54	116.0	0.0	1.4	975.9	Feb 13	508
1954-55	53.0	0.0	1.2	872.1	May 07	450
1955-56	194.0	0.0	1.6	1,122.8	Jan 26	622
1956-57	57.0	0.0	1.2	841.6	Jan 13	580
1957-58	326.0	0.0	8.9	6,390.1	Feb 04	1,380
1958-59	163.0	0.0	1.0	691.4	Jan 06	2,800
1959-60	46.0	0.0	1.0	689.7	Jan 11	666
1960-61	86.0	0.0	1.3	910.0	Nov 05	988
1961-62	104.0	0.0	1.4	988.2	Feb 11	2,960
1962-63	78.0	0.0	1.2	883.2	Apr 25	988
1963-64	150.0	0.0	1.5	1,116.1	Jan 22	2,550
1964-65	62.0	0.0	1.7	1,206.0	Apr 09	946
1965-66	614.0	0.0	8.6	6,144.2	Nov 17	4,800
1966-67	312.0	0.0	6.3	4,562.1	Jan 22	3,140
1967-68	N.D.					
1968-69	N.D.					
1969-70	N.D.					
1970-71	N.D.					
1971-72	N.D.					
1972-73	N.D.					
1973-74	N.D.					
1974-75	136.0	0.6	4.1	2,959.7	Mar 06	1,590
1975-76	107.0	0.7	2.8	2,039.2	Sep 05	2,580
1976-77	135.0	0.5	2.7	1,978.1	Jan 03	2,860
1977-78	3,200.0	0.6	704.1	42,305.5	Mar 04	3,730
1978-79	214.0	0.7	6.4	4,628.6	Mar 28	4,090
1979-80	1,180.0	0.6	8.3	17,147.5		
1980-81	162.0	0.0	3.0	2,145.5	Jan 29	3,790
1981-82	250.0	0.2	3.7	2,709.2	Mar 17	4,660
1982-83	4,280.0	0.0	60.8	44,045.2	Mar 01	10,900
1983-84	68.5	0.0	2.6	1,921.2	Oct 04	896
1984-85	65.0	0.1	1.5	1,103.6	Dec 18	1,270
1985-86	134.0	0.0	3.2	2,280.0	Jan 31	2,230

M Data Missing
 * Record incomplete
 E Estimate
 N.D. Not determined
 ** Record not Computed
 + Less than 0.05 Acre Feet or less than 0.05 CFS, but greater than 0

RUNOFF – STREAM GAGING STATION PEAK FLOW

PACOIMA DIVERSION @ Branford Street
STATION NO. F305-R

Season	Daily CFS			Total Runoff (Acre-feet)	Peak Inflow	
	Maximum	Minimum	Mean		Date	CFS
1986-87	141.0	0.0	2.9	2,118.9	Nov 17	2,260
1987-88	388.0	0.2	4.9	3,592.5	Oct 22	7,470
1988-89	772.0	0.7	3.6	2,639.4	Nov 14	740
1989-90	77.5	0.8	2.8	2,050.5	Feb 04	1,050
1990-91	M	M	M	M		M
1991-92	1,130.0	0.7	16.8	12,188.2	Feb 04	9,700
1992-93	1,420.0	0.5	55.3	40,071.1	Dec 07	6,470
1993-94	154.0	0.7	4.9	3,531.0	Dec 11	3,190
1994-95	1,250.0	0.0	18.8	13,621.3	Mar 10	7,250
1995-96	364.0	0.4	5.5	4,020.9	Feb 21	3,700
1996-97	225.0	1.3	7.0	5,052.3	Dec 22	4,700
1997-98	1,460.0	1.0	34.5	25,006.8	Feb 07	13,600
1998-99	108.0	1.8	6.4	4,622.3	Oct 29	3,350
1999-00*	169.0	2.3	6.1	4,390.0	Feb 20	3,740
2000-01	305.0	1.3	7.0	5,030.0	Jan 11	6,130
2001-02	167.0	0.9	3.2	2,316.2	Nov 24	5,895
2002-03	703.8	0.7	7.9	5,706.2	Dec 16	6,060
2004-05	3,440.0	0.1	57.1	41,400.0	Jan 09	10,100
2005-06	100	0.90	4.18	3,030	Apr 01	1560

M	Data Missing
*	Record incomplete
E	Estimate
N.D.	Not determined
**	Record not Computed
+	Less than 0.05 Acre Feet or less than 0.05 CFS, but greater than 0

RUNOFF – STREAM GAGING STATION PEAK FLOW

PALLETT CREEK @ Valyermo Highway
STATION NO. F122-R

Season	Daily CFS			Total Runoff (Acre-feet)	Peak Inflow	
	Maximum	Minimum	Mean		Date	CFS
1961-62	92.0	0.0	0.4	311.0	Feb 11	259
1962-63	0.7	0.0	0.3	190.0	Feb 09	3
1963-64	0.0	0.0	0.0	0.0		0
1964-65	0.3	0.0	+	1.0	Aug 12	16
1965-66	53.0	0.0	1.5	1,110	Dec 29	176
1966-67	3.8	0.3	0.8	618.0	Dec 06	7
1967-68	5.0	0.3	0.8	615.0	Nov 21	10
1968-69	770.0	0.3	7.8	5,640	Feb 25	1,480
1969-70	37.0	0.6	1.2	846.0	Feb 28	161
1970-71	183.0	0.1	1.0	744.0	Nov 29	839
1971-72	56.0	0.1	0.6	452.0	Dec 25	282
1972-73	6.5	+	0.2	156.0	Feb 11	24
1973-74	0.6	0.1	0.3	213.0	Dec 11	1
1974-75	1.6	0.0	0.2	140.0	Dec 04	10
1975-76	2.5	0.0	0.1	87.0	Sep 24	51
1976-77	2.5	0.0	0.1	39.0	May 08	10
1977-78	1,220	0.0	33.4	24,170	Feb 10	1,630
1978-79	156.0	0.6	5.9	4,312	Mar 29	191
1979-80	210.0	0.0	7.6	5,487	Feb 16	1,470
1980-81	15.8	0.0	1.7	1,193	Mar 01	60
1981-82	12.8	0.0	0.6	423.0	Apr 11	49
1982-83	454.0	0.0	11.9	8,626	Mar 01	831
1983-84	15.0	0.2	1.8	1,282	Jul 30	147
1984-85	11.6	0.0	0.4	292.0	Dec 27	14
1985-86	37.3	0.0	0.9	622.0	Jan 30	124
1986-87	1.5	0.0	0.4	264.0	Feb 25	3
1987-88	21.9	0.0	0.3	245.0		N.D.
1988-89	0.5	0.0	0.1	105.0	Dec 16	1
1989-90	0.0	0.0	0.0	0.0		0
1990-91	0.0	0.0	0.0	0.0		0
1991-92	240.0	0.0	4.9	3,570	Feb 12	670
1992-93	498.0	0.4	15.2	10,980	Feb 24	621
1993-94	2.0	0.2	1.0	645.0		N.D.

M Data Missing
 * Record incomplete
 E Estimate
 N.D. Not determined
 ** Record not Computed
 + Less than 0.05 Acre Feet or less than 0.05 CFS, but greater than 0

RUNOFF – STREAM GAGING STATION PEAK FLOW

**PALLETT CREEK @ Valermo Highway
STATION NO. F122-R**

Season	Daily CFS			Total Runoff (Acre-feet)	Peak Inflow	
	Maximum	Minimum	Mean		Date	CFS
1994-95	133.0	0.0	6.8	4,934	Mar 11	579
1995-96	1.6	0.0	0.7	534.0	Jul 24	14
1996-97	0.4	0.0	0.1	90.0	Feb 08	0
1997-98	47.0	0.0	5.1	3,680	Feb 23	231
1998-99	2.6	0.1	0.9	655.0	Nov 28	6
1999-00	8.9	0.0	0.2	115.0	Feb 20	76
2000-01	3.8	0.0	0.7	513.0	Jan 02	45
2001-02	0.7	0.0	0.3	223.0	Nov 12	1
2002-03	0.0	0.0	0.2	0.0	Feb 12	65
2003-04	3.4	0.0	0.2	126.0	Feb 26	15
2004-05	300.0	0.0	12.7	9,160.0	Jan 09	1,330
2005-06	20.3	1.42	2.53	1,710	Feb 28	50

M Data Missing
 * Record incomplete
 E Estimate
 N.D. Not determined
 ** Record not Computed
 + Less than 0.05 Acre Feet or less than 0.05 CFS, but greater than 0

RUNOFF – STREAM GAGING STATION PEAK FLOW

RIO HONDO *below* Lower Azusa Avenue
STATION NO. F192B-R

Season	Daily CFS			Total Runoff (Acre-feet)	Peak Inflow	
	Maximum	Minimum	Mean		Date	CFS
1931-32	*	*	*	12,710*		N.D.
1932-33	937.0	0.0	5.2	3,800	Jan 20	5,160
1933-34	2,700.0	0.0	11.2	8,110	Jan 01	5,860
1934-35	324.0	0.0	11.3	8,160	Apr 08	604
1935-36	114.0	0.0	4.7	3,400	Feb 11	391
1936-37	904.0	0.0	38.6	27,960	Feb 20	1,030
1937-38	10,500.0	0.0	241.0	174,300	Mar 02	31,000
1938-39	191.0	0.0	2.2	1,570	Jan 05	680
1939-40	224.0	0.0	5.0	3,640	Jan 07	288
1940-41	2,220.0	0.0	113.0	81,450	Mar 04	4,000
1941-42	214.0	0.1	2.7	1,980	Dec 10	254
1942-43	1,300.0	0.0	14.7	10,680	Jan 23	3,500
1943-44	502.0	0.3	15.9	11,600	Feb 22	1,080
1944-45	112.0	0.1	1.9	1,380	Nov 11	1,060
1945-46	267.0	0.0	18.0	13,030	Dec 23	483
1946-47	279.0	0.0	11.8	8,560	Nov 27	283
1947-48	570.0	0.0	7.2	5,250	Jun 07	584
1948-49	4.9	0.0	0.1	71.0	Feb 27	50
1949-50	24.0	0.0	0.3	203.0	Dec 18	124
1950-51	24.0	0.0	0.3	234.0	Jan 11	636
1951-52	753.0	0.0	8.7	6,340	Jan 16	2,180
1952-53	785.0	0.0	9.0	6,550	Nov 15	944
1953-54	654.0	0.0	14.9	10,800	Feb 13	1,740
1954-55	184.0	0.0	2.0	1,460	Jan 18	2,340
1955-56	1,020.0	0.0	4.0	2,940	Jan 26	3,030
1956-57	390.0	0.0	5.9	4,280	Feb 23	2,270
1957-58	735.0	0.0	32.6	23,610*	Feb 19	1,530
1958-59	218.0	0.0	1.8	1,290*	Jan 06	1,530
1959-60	30.0	0.0	0.4	303.0	Jan 12	185
1960-61	16.0	0.0	0.2	131.0	Nov 05	132
1961-62	630.0	0.0	13.1	9,460	Feb 12	856
1962-63	28.0	0.0	0.3	221.0	Mar 16	182
1963-64	22.0	0.0	0.3	187.0	Jan 21	296

M Data Missing
 * Record incomplete
 E Estimate
 N.D. Not determined
 ** Record not Computed
 + Less than 0.05 Acre Feet or less than 0.05 CFS, but greater than 0

RUNOFF – STREAM GAGING STATION PEAK FLOW

RIO HONDO *below* Lower Azusa Avenue
STATION NO. F192B-R

Season	Daily CFS			Total Runoff (Acre-feet)	Peak Inflow	
	Maximum	Minimum	Mean		Date	CFS
1964-65	32.0	0.0	0.5	340.0	Apr 09	397
1965-66	261.0	0.0	7.7	5,570	Nov 24	1,440
1966-67	175.0	0.0	14.7	10,620	Jan 22	438
1967-68	61.0	0.0	0.8	576.0	Mar 08	714
1968-69	4,380.0	0.0	100.0	72,550	Jan 25	10,600
1969-70	251.0	0.0	5.0	3,580	Mar 04	1,160
1970-71	95.0	0.0	4.2	3,060	Nov 29	446
1971-72	5.0	0.0	0.3	210.0	Dec 24	266
1972-73	270.0	0.0	14.5	10,520	Feb 27	2,390
1973-74	144.0	0.0	5.1	3,720	Jan 07	196
1974-75	54.0	+	0.7	538.0	Dec 04	643
1975-76	34.0	0.0	0.5	345.0	Sep 11	635
1976-77	22.5	0.0	0.5	393.0	May 09	230
1977-78	1,910.0	0.0	84.7	61,288	Mar 01	3,210
1978-79	163.0	0.0	19.7	14,291	Feb 21	311
1979-80	1,490.0	0.0	77.5	55,368	Feb 16	3,050
1980-81	237.0	0.0	17.8	13,060	Dec 16	3,070
1981-82	196.0	0.0	11.5	8,293	Sep 23	342
1982-83	350.0	0.0	66.3	48,030	Apr 18	350
1983-84	251.0	0.0	15.5	11,194	Nov 01	303
1984-85	12.5	0.0	0.2	175.0	Nov 08	216
1985-86	318.0	0.0	36.7	26,570	Feb 15	357
1986-87	24.7	0.0	0.2	171.0	Jan 04	296
1987-88	223.0	0.0	5.9	4,290	Dec 04	350
1988-89	12.7	0.0	2.8	173.0	Dec 15	109
1989-90	46.2	0.0	0.4	259.0	Feb 17	236
1990-91	388.0	0.0	11.3	7,831	Aug 01	356
1991-92	809.0	0.0	25.4	18,429	Feb 13	3,860
1992-93	1,010.0	0.0	65.6	47,470	Feb 19	3,190
1993-94	47.0	0.0	2.4	1,748	Dec 14	272
1994-95	803.0	0.0	33.8	24,500	Mar 11	3,210
1995-96	665.0	0.0	29.1	21,100	Feb 21	1,400
1996-97	250.0	0.0	15.8	11,400	Jan 26	634

M Data Missing
 * Record incomplete
 E Estimate
 N.D. Not determined
 ** Record not Computed
 + Less than 0.05 Acre Feet or less than 0.05 CFS, but greater than 0

RUNOFF – STREAM GAGING STATION PEAK FLOW

RIO HONDO *below* Lower Azusa Avenue
 STATION NO. F192B-R

Season	Daily CFS			Total Runoff (Acre-feet)	Peak Inflow	
	Maximum	Minimum	Mean		Date	CFS
1997-98	1,270.0	0.0	35.4	25,610	Feb 07	3,670
1998-99	125.0	0.0	3.2	2,290	Nov 08	348
1999-00	33.0	0.0	0.6	455.0	Apr 17	348
2000-01	37.0	0.0	0.5	391.0	Jan 11	318
2001-02	103.6	0.0	2.6	1,794.4	Nov 24	1,035
2002-03	81.1	0.0	1.4	980.5	Dec 16	565
2003-04	61.7	0.0	1.5	1,120.8	Feb 26	437
2004-05	1,310.0	0.0	88.0	63,700.0	Feb 19	4,350
2005-06	212	0.0	9.20	6,660	Oct 17	538

M	Data Missing
*	Record incomplete
E	Estimate
N.D.	Not determined
**	Record not Computed
+	Less than 0.05 Acre Feet or less than 0.05 CFS, but greater than 0

RUNOFF – STREAM GAGING STATION PEAK FLOW

RIO HONDO *above* Stuart and Gray Road
STATION NO. F45B-R

Season	Daily CFS			Total Runoff (Acre-feet)	Peak Inflow	
	Maximum	Minimum	Mean		Date	CFS
1927-28	*	0.0	*	269*	Mar 06	4*
1928-29	248.0	0.0	3.4	2,460	Apr 04	912
1929-30	285.0	0.0	2.8	2,000	Mar 15	743
1930-31	335.0	0.0	2.6	1,900	Feb 04	841
1931-32	3,440.0	0.0	27.4	19,920	Feb 09	4,610
1932-33	971.0	0.0	6.2	4,450	Jan 19	2,730
1933-34	5,810.0	0.0	23.5	17,030	Jan 01	16,000
1934-35	667.0	0.0	8.3	6,000	Apr 08	3,450
1935-36	472.0	0.0	5.8	4,220	Feb 12	3,160
1936-37	1,460.0	0.0	37.1	26,870	Feb 14	4,800
1937-38	12,700.0	0.0	238.0	172,100	Mar 03	24,400E
1938-39	910.0	0.0	13.2	9,540	Dec 18	5,260
1939-40	442.0	0.0	6.7	4,850	Jan 08	1,930
1940-41	3,690.0	0.0	129.0	93,260	Mar 04	6,420
1941-42	564.0	0.0	9.3	6,730	Dec 10	4,240
1942-43	4,660.0	0.0	57.9	41,910	Jan 23	11,800
1943-44	2,570.0E	0.0	36.9	26,820	Feb 22	6,670
1944-45	492.0	0.0	11.7	8,460	Nov 11	4,500
1945-46	1,130.0	0.0	15.6	11,280	Dec 22	4,270
1946-47	923.0	0.0	22.1	16,030	Nov 13	5,950
1947-48	425.0	0.0	4.8	3,510	Mar 24	2,880
1948-49	268.0	0.0	2.1	1,490	Jan 20	713
1949-50	402.0	0.0	3.9	2,840	Jan 08	1,790
1950-51	135.0	0.0	1.1	781.0	Jan 29	1,080
1951-52	2,430.0	0.0	35.9	26,040	Jan 16	9,040
1952-53	571.0	0.0	4.8	3,450	Nov 15	4,600
1953-54	1,780.0	0.0	14.9	10,760	Feb 13	8,860
1954-55	753.0	0.0	11.1	8,000	Jan 18	4,160
1955-56	4,910.0	0.0	20.0	14,540	Jan 26	11,600
1956-57	967.0	0.0	6.4	4,640	Feb 23	6,560
1957-58	2,230.0	0.0	41.8	30,260	Feb 19	10,800
1958-59	915.0	0.0	5.4	3,900	Jan 06	11,000
1959-60	219.0	0.0	3.3	2,370	Jan 12	3,030

M Data Missing
 * Record incomplete
 E Estimate
 N.D. Not determined
 ** Record not Computed
 + Less than 0.05 Acre Feet or less than 0.05 CFS, but greater than 0

RUNOFF – STREAM GAGING STATION PEAK FLOW

RIO HONDO *above* Stuart and Gray Road
STATION NO. F45B-R

Season	Daily CFS			Total Runoff (Acre-feet)	Peak Inflow	
	Maximum	Minimum	Mean		Date	CFS
1960-61	115.0	0.0	1.2	831.0	Nov 26	2,090
1961-62	2,080.0	0.0	31.4	22,780	Feb 19	7,100
1962-63	620.0	0.0	4.5	3,280	Feb 09	4,240
1963-64	190.0	0.0	2.4	1,730	Jan 22	2,060
1964-65	1,130.0	0.0	7.3	5,310	Apr 09	8,780
1965-66	4,810.0	+	95.8	69,390	Dec 29	19,000
1966-67	5,210.0	+	26.6	21,530	Jan 24	20,100
1967-68	4,300.0	+	25.3	18,360	Mar 08	17,900
1968-69	23,100.0	+	424.0	307,100	Jan 25	46,900
1969-70	964.0	+	10.0	7,220	Feb 28	7,540
1970-71	2,430.0	+	13.1	9,520	Nov 29	9,350
1971-72	2,420.0	+	6.0	4,409	Dec 24	11,400
1972-73	2,550.0	+	21.9	15,860	Feb 11	15,180
1973-74	3,360.0	+	15.4	11,180	Jan 07	11,710
1974-75	303.0	+	9.5	6,910	Dec 04	13,250
1975-76	920.0	+	9.4	6,660	Sep 11	9,820
1976-77	619.0	0.0	6.9	5,020	Oct 23	2,890
1977-78	13,800.0	+	270.0	195,463	Mar 01	32,000
1978-79	4,600.0	0.5	46.5	33,662	Mar 27	25,600
1979-80	16,000.0	0.5	313.4	221,877	Feb 16	48,100
1980-81	2,050.0	0.0	13.2	9,539	Mar 01	13,500
1981-82	4,410.0	0.0	28.7	20,768	Nov 28	17,100
1982-83	20,600.0	0.0	236.5	172,592	Mar 01	38,400
1983-84	2,600.0	0.0	17.2	12,502	Oct 01	9,480
1984-85	1,400.0	0.0	14.1	10,216	Feb 09	7,130
1985-86	4,500.0	0.0	*	*	Feb 15	19,400
1986-87	1,730.0	0.1	8.6	6,256	Jan 04	10,000
1987-88	2,660.0	0.0	16.7	12,111	Jan 17	11,300
1988-89	1,280.0	0.1	12.4	8,967	Dec 21	6,050
1989-90	5,030.0	0.1	16.9	12,222	Feb 17	17,500
1990-91	3,880.0	0.0	34.1	24,720	Feb 27	19,600
1991-92	6,930.0	0.1	56.7	41,160	Feb 12	32,000
1992-93	11,200.0	0.0	386.0	279,400	Feb 18	32,800

M Data Missing
 * Record incomplete
 E Estimate
 N.D. Not determined
 ** Record not Computed
 + Less than 0.05 Acre Feet or less than 0.05 CFS, but greater than 0

RUNOFF – STREAM GAGING STATION PEAK FLOW

RIO HONDO *above* Stuart and Gray Road
 STATION NO. F45B-R

Season	Daily CFS			Total Runoff (Acre-feet)	Peak Inflow	
	Maximum	Minimum	Mean		Date	CFS
1993-94	260.0	0.0	10.0	7,222	Mar 19	4,240
1994-95	10,500.0	0.1	164.0	119,100	Jan 10	37,400
1995-96	6,320.0	0.0	40.3	29,240	Feb 20	20,200
1996-97	3,420.0	0.1	30.7	22,230	Jan 25	13,300
1997-98	9,700.0	0.0	178.0	129,200	Feb 08	34,700
1998-99	417.0	0.0	3.9	2,850	Nov 08	2,360
1999-00	2,960.0	+	*	*	Feb 23	14,600
2000-01	Under	Construct	since	May 2000.		
2001-02	*	*	*	*	Mar 17	421
2002-03	4,490.1	0.0	49.9	36,130.1	Sep 29	52
2003-04	4,756.1	0.0	20.0	14,409.5	Feb 26	25,100
2004-05	22,400.0	0.0	424.0	307,000.0	Jan 09	41,600
2005-06	2,140	+	9.68	7,010	Jan 02	4280

M	Data Missing
*	Record incomplete
E	Estimate
N.D.	Not determined
**	Record not Computed
+	Less than 0.05 Acre Feet or less than 0.05 CFS, but greater than 0

RUNOFF – STREAM GAGING STATION PEAK FLOW

**RIO HONDO BYPASS - Zone One Ditch
STATION NO. F313B-R**

Season	Daily CFS			Total Runoff (Acre-feet)	Peak Inflow	
	Maximum	Minimum	Mean		Date	CFS
1953-54	138.0	0.0	12.0	7,232.5		
1954-55	169.0	0.0	19.6	9,750.0		
1955-56	172.0	0.0	23.5	14,983.5		
1956-57	168.0	0.0	27.5	19,964.8		
1957-58	175.0	0.0	18.4	13,371.4		
1958-59	N.D.					
1959-60	N.D.					
1960-61	N.D.					
1961-62	153.0	0.0	44.3	31,825.0		
1962-63	137.0	0.0	12.5	9,121.4		
1963-64	N.D.					
1964-65	N.D.					
1965-66	N.D.					
1966-67	N.D.					
1967-68	N.D.					
1968-69	N.D.					
1969-70	N.D.					
1970-71	N.D.					
1971-72	N.D.					
1972-73	N.D.					
1973-74	N.D.					
1974-75	145.0	0.0	46.8	33,879.9		
1975-76	169.0	0.0	27.1	19,669.7		
1976-77	138.0	0.0	7.8	5,640.8	Jan 05	182
1977-78	165.0	0.0	33.5	24,287.8	Sep 05	188
1978-79	184.0	0.0	63.6	46,015.3	Aug 04	187
1979-80	165.0	0.0	24.1	17,523.8	Oct 20	188
1980-81	134.0	0.0	67.9	49,193.1	Jan 11	185
1981-82	127.0	0.0	31.4	22,760.1	Oct 01	161
1982-83	91.6	0.0	7.9	5,750.1	Jan 16	93
1983-84	84.9	0.0	14.4	4,341.2	Dec 16	110
1984-85	150.0	0.0	52.5	38,014.2	Mar 27	185
1985-86	183.0	0.0	16.5	11,946.2	Jan 25	190

M Data Missing
 * Record incomplete
 E Estimate
 N.D. Not determined
 ** Record not Computed
 + Less than 0.05 Acre Feet or less than 0.05 CFS, but greater than 0

RUNOFF – STREAM GAGING STATION PEAK FLOW

**RIO HONDO BYPASS - Zone One Ditch
STATION NO. F313B-R**

Season	Daily CFS			Total Runoff (Acre-feet)	Peak Inflow	
	Maximum	Minimum	Mean		Date	CFS
1986-87	177.0	0.0	67.3	48,538.7	Mar 18	233
1987-88	178.0	0.0	40.3	29,307.8	May 24	184
1988-89	192.0	0.0	80.4	58,223.0	Jan 19	201
1989-90	193.0	0.0	78.4	56,728.9	Jan 25	271
1990-91	174.0	0.0	27.8	20,195.3	Oct 01	189
1991-92	116.0	0.0	24.3	17,613.2	Feb 12	360
1992-93	165.0	0.0	29.3	21,194.8	Feb 18	355
1993-94	155.0	1.3	48.6	35,157.8	Jan 25	203
1994-95	136.0	0.0	15.5	11,241.5	Jan 10	359
1995-96	111.0	0.0	30.6	22,231.9	Feb 20	318
1996-97*	184.0	0.0	34.6	25,060.8	Jun 13	200
1997-98	200.0	0.0	31.6	22,864.6	May 05	214
1998-99	122.0	0.0	35.7	25,854.0	Jan 27	216
1999-00*	182.0	0.0	51.8	37,608.9	May 11	192
2000-01	159.0	0.0	23.7	17,130.0	Apr 07	178
2001-02	174.3	0.0	68.0	49,258.9	Dec 19	198
2002-03	226.5	0.0	70.2	50,861.9	Dec 16	288
2003-04	192.4	0.0	36.0	27,686.0	Feb 04	251
2004-05	192.0	0.0	26.1	18,900.0	Nov 21	240
2005-06	198	0.0	51.4	37,220	Mar 17	257

M	Data Missing
*	Record incomplete
E	Estimate
N.D.	Not determined
**	Record not Computed
+	Less than 0.05 Acre Feet or less than 0.05 CFS, but greater than 0

RUNOFF – STREAM GAGING STATION PEAK FLOW

RUBIO DIVERSION CHANNEL *below* Gooseberry Inlet
STATION NO. F338-R

Season	Daily CFS			Total Runoff (Acre-feet)	Peak Inflow	
	Maximum	Minimum	Mean		Date	CFS
1959-60	0.8	0.0	0.0	9.0	Jan 11	9
1960-61	0.8	0.0	0.0	6.0	Jan 26	5
1961-62	7.9	0.0	0.1	62.0	Feb 11	22
1962-63	2.6	0.0	0.0	20.0	Feb 10	32
1963-64	0.8	0.0	0.0	14.0	Jan 21	8
1964-65	1.0	0.0	0.0	30.0	Nov 09	21
1965-66	18.3	0.0	0.3	206.0	Dec 29	63
1966-67	12.5	0.0	0.2	127.0	Jan 22	43
1967-68	18.2	0.0	0.2	112.0	Nov 19	267
1968-69	254.0	0.0	4.2	3,050	Jan 25	880
1969-70	11.7	0.0	0.4	272.0	Feb 28	146
1970-71	36.0	0.0	0.6	413.0	Nov 29	266
1971-72	M	M	M	M		M
1972-73	58.0	+	1.5	1,098	Jan 18	114
1973-74	22.6	+	2.8	1,994	Nov 18	76
1974-75	11.0	+	0.9	627.0	Mar 06	85
1975-76	13.0	0.0	0.6	431.0	Feb 09	88
1976-77	4.8	0.0	0.5	384.0	May 09	47
1977-78	76.3	0.0	3.0	2,141	Mar 04	276
1978-79	5.0	0.0	0.7	494.0	Mar 28	71
1979-80	108.0	0.2	8.9	6,438	Feb 19	1,400
1980-81	13.3	0.4	3.6	2,598	May 02	115
1981-82	20.7	0.0	2.1	1,519	Apr 01	106
1982-83	150.0	0.2	3.1	2,391		296
1983-84	16.5	0.0	1.0	740.0	Oct 04	184
1984-85	9.8	0.0	0.5	332.0	Jan 18	31
1985-86	8.2	0.0	7.8	463.0		N.D.
1986-87	NO RECORD					
1987-88	9.0	0.0	0.7	526.0		N.D.
1988-89	6.0	0.0	0.9	631.0	Mar 25	6
1989-90	5.2	0.0	0.3	232.0		N.D.
1990-91	16.3	0.0	0.3	249.0	Mar 01	16
1991-92	45.4	0.0	2.2	1,592	Feb 10	191

M Data Missing
 * Record incomplete
 E Estimate
 N.D. Not determined
 ** Record not Computed
 + Less than 0.05 Acre Feet or less than 0.05 CFS, but greater than 0

RUNOFF – STREAM GAGING STATION PEAK FLOW

RUBIO DIVERSION CHANNEL *below* Gooseberry Inlet
 STATION NO. F338-R

Season	Daily CFS			Total Runoff (Acre-feet)	Peak Inflow	
	Maximum	Minimum	Mean		Date	CFS
1992-93	*	*	*	*		*
1993-94	*	*	*	*		*
1994-95	71.6	0.0	2.8	2,056	Feb 14	170
1995-96	41.2	0.0	1.6	1,139	Feb 20	131
1996-97	5.8	0.0	0.8	601.0	Sep 25	31
1997-98	9.8	0.0	1.5	1,050	Mar 02	106
1998-99	27.0	0.0	1.4	1,030	Mar 15	179
1999-00	6.0	0.2	0.5	360.0	Feb 16	94
2000-01	37.0	0.0	1.1	822.0	Jan 11	179
2001-02	3.2	0.0	0.4	202.6	Dec 20	89
2002-03	4.3	0.0	0.1	93.3	Mar 15	49
2003-04	5.9	0.0	0.1	80.0	Feb 26	55
2004-05	68.0	0.0	1.5	1,100.0	Jan 09	270
2005-06	33.6	0.09	2.39	1,730	Apr 14	194

M	Data Missing
*	Record incomplete
E	Estimate
N.D.	Not determined
**	Record not Computed
+	Less than 0.05 Acre Feet or less than 0.05 CFS, but greater than 0

RUNOFF – STREAM GAGING STATION PEAK FLOW

RUBIO WASH @ Glendon Way
STATION NO. F82C-R

Season	Daily CFS			Total Runoff (Acre-feet)	Peak Inflow	
	Maximum	Minimum	Mean		Date	CFS
1930-31	107.0	0.0	1.5	1,110	Feb 03	1,690
1931-32	124.0	0.0	2.1	1,490	Nov 27	798
1932-33	234.0	0.0	1.5	1,110	Jan 16	1,510
1933-34	684.0	0.0	3.6	2,580	Dec 31	2,070
1934-35	134.0	0.0	2.4	1,770	Oct 17	1,680
1935-36	81.0	0.0	1.8	1,280	Feb 22	1,370
1936-37	186.0	0.0	3.9	2,800	Dec 27	1,180
1937-38	802.0	0.0	5.8	4,180	Mar 02	2,400E
1938-39	250.0	0.0	3.3	2,370	Jan 05	1,720
1939-40	122.0	0.0	2.4	1,270	Jan 07	1,000
1940-41	200.0	0.0	8.1	5,890	Mar 03	1,940
1941-42	130.0	0.0	2.1	1,530	Dec 10	1,200
1942-43	697.0	0.0	6.2	4,520	Mar 04	2,780
1943-44	393.0	0.0	4.4	3,190	Feb 22	1,930
1944-45	152.0	0.0	2.1	1,540	Nov 11	1,780
1945-46	244.0	0.0	2.5	1,840	Dec 22	1,630
1946-47	233.0	0.0	3.2	2,300	Nov 13	2,650
1947-48	91.0	0.0	1.5	1,080	Mar 24	2,090
1948-49	59.0	0.0	1.5	1,080	Oct 30	530
1949-50	161.0	0.0	2.3	1,690	Feb 06	1,060
1950-51	80.0	0.0	1.4	1,010	Jan 11	2,290
1951-52	335.0	0.0	7.3	5,300	Jan 16	3,020
1952-53	133.0	0.0	2.0	1,460	Nov 15	2,200
1953-54	288.0	+	3.4	2,490	Jan 19	2,310
1954-55	126.0	+	2.6	1,870	Jan 18	1,290
1955-56	639.0	0.0	4.0	2,880	Jan 26	1,970
1956-57	199.0	+	3.2	2,290	Feb 23	2,980
1957-58	286.0	0.1	7.7	5,610	Feb 19	2,740
1958-59	218.0	0.2	2.8	2,030	Jan 06	2,780
1959-60	135.0	0.2	2.5	1,820	Jan 11	985
1960-61	117.0	0.2	1.8	1,270	Nov 06	902
1961-62	281.0	0.1	5.7	4,120	Jan 20	1,200
1962-63	246.0	0.1	2.4	1,760	Feb 09	1,180

M Data Missing
 * Record incomplete
 E Estimate
 N.D. Not determined
 ** Record not Computed
 + Less than 0.05 Acre Feet or less than 0.05 CFS, but greater than 0

RUNOFF – STREAM GAGING STATION PEAK FLOW

RUBIO WASH @ Glendon Way
STATION NO. F82C-R

Season	Daily CFS			Total Runoff (Acre-feet)	Peak Inflow	
	Maximum	Minimum	Mean		Date	CFS
1963-64	136.0	0.2	2.6	1,870	Jan 21	1,570
1964-65	164.0	0.1	2.8	2,030	Apr 09	2,040
1965-66	466.0	0.1	6.4	4,650	Nov 24	2,300
1966-67	344.0	0.2	7.2	5,220	Dec 03	2,040
1967-68	343.0	0.2	4.0	2,930	Mar 08	2,460
1968-69	712.0	0.2	11.4	8,220	Jan 25	2,890
1969-70	**	**	**	**	Feb 28	2,540
1970-71	**	**	**	**	Nov 29	3,700
1971-72	**	**	**	**	Dec 24	1,240
1972-73	410.0	0.0	7.0*	5,041*	Feb 11	3,166
1973-74	460.0	0.2	5.5	3,950	Jan 07	1,985
1974-75	328.0	0.3	4.5	3,240	Dec 04	3,180
1975-76	373.0	0.2	4.1	2,920	Sep 10	2,070
1976-77	180.0	0.1	4.4	3,187	Oct 23	2,610
1977-78	531.0	0.0	12.9	9,340	Feb 10	*
1978-79	176.0	0.0	8.4	6,056	Feb 21	2,680
1979-80	781.0	0.0	11.8	8,372	Jan 29	4,594
1980-81	205.0	0.0	4.3	3,108	Mar 01	1,754
1981-82	186.0	0.0	4.0	2,890	Mar 17	1,650
1982-83	620.0	0.1	12.6	9,079	Mar 02	4,560
1983-84	165.0	0.1	2.8	1,976	Dec 25	1,680
1984-85	154.0	0.1	3.5	2,543	Dec 19	1,610
1985-86	212.0	0.1	6.1	4,445	Mar 08	2,090
1986-87	153.0	0.2	3.6	2,580	Oct 02	2,790
1987-88	246.0	0.0	4.3	3,113	Dec 04	3,620
1988-89	123.0	0.1	2.9	2,122	Dec 15	783
1989-90	341.0	0.3	4.5	3,249	Jan 16	1,560
1990-91	355.0	0.0	4.9	3,513	Mar 01	1,840
1991-92	287.0	0.0	5.7	4,115	Feb 12	2,540
1992-93	323.0	0.0	7.9	5,726	Jan 14	3,660
1993-94	105.0	0.0	2.3	1,640	Mar 24	1,970
1994-95	707.0	0.0	9.4	6,777	Mar 11	4,610
1995-96	656.0	0.0	7.5	5,464	Jan 31	5,010

M Data Missing
 * Record incomplete
 E Estimate
 N.D. Not determined
 ** Record not Computed
 + Less than 0.05 Acre Feet or less than 0.05 CFS, but greater than 0

RUNOFF – STREAM GAGING STATION PEAK FLOW

RUBIO WASH @ Glendon Way
 STATION NO. F82C-R

Season	Daily CFS			Total Runoff (Acre-feet)	Peak Inflow	
	Maximum	Minimum	Mean		Date	CFS
1996-97	156.0	0.0	3.9	2,790	Jan 15	1,180
1997-98	438.0	0.0	9.1	6,590	Feb 06	4,030
1998-99	79.0	0.0	2.2	1,560	Nov 28	2,430
1999-00	218.0	0.1	5.6	4,030	Feb 21	2,710
2000-01	249.0	0.6	5.7	4,120	Jan 11	1,670
2001-02	186.3	0.4	3.0	2,187.3	Nov 24	3,553
2002-03	0.0	0.0	7.1	0.0	Mar 16	2,550
2003-04	335.6	0.0	3.9	2,810.8	Feb 26	2,970
2004-05	466.0	0.1	11.3	8,170.0	Oct 20	3,470
2005-06	270	0.06	4.74	3,430	Jan 02	2663

M	Data Missing
*	Record incomplete
E	Estimate
N.D.	Not determined
**	Record not Computed
+	Less than 0.05 Acre Feet or less than 0.05 CFS, but greater than 0

RUNOFF – STREAM GAGING STATION PEAK FLOW

SAN DIMAS CREEK *below* San Dimas Dam
 STATION NO. F303-R

Season	Daily CFS			Total Runoff (Acre-feet)	Peak Inflow	
	Maximum	Minimum	Mean		Date	CFS
1951-52	171.0	0.0	6.4	4,661.2	Mar 16	292
1952-53	6.1	0.1	1.5	1,115.5	Jul 06	7
1953-54	61.0	0.0	2.1	1,539.0	Jan 25	161
1954-55	6.1	0.0	0.8	563.3	Nov 16	175
1955-56	40.0	0.0	1.1	816.1	Jan 26	54
1956-57	5.0	0.0	0.6	435.2		5
1957-58	220.0	0.0	9.1	6,525.2	Apr 03	270
1958-59	19.0	0.0	1.8	1,260.9	Feb 18	20
1959-60	5.9	0.0	0.7	483.5	Aug 25	6
1960-61	17.1	0.0	0.4	292.3	Aug 01	20
1961-62	136.0	0.0	3.9	2,728.0	Dec 03	215
1962-63	83.0	0.0	1.5	1,104.3	Feb 09	404
1963-64	24.0	0.0	1.0	752.3		
1964-65	49.0	0.1	1.7	1,195.6	Apr 09	133
1965-66	242.0	0.1	8.8	6,332.0	Nov 23	500
1966-67	516.0	0.0	15.9	11,533.9	Dec 06	1,190
1967-68	N.D.					
1968-69	N.D.					
1969-70	N.D.					
1970-71	N.D.					
1971-72	N.D.					
1972-73	N.D.					
1973-74	N.D.					
1974-75	18.0	0.2	2.2	1,565.2	May 13	36
1975-76	9.3	0.1	1.3	926.3	Mar 22	14
1976-77	26.0	0.0	1.6	1,135.1	Apr 06	58
1977-78	703.0	0.0	0.8	18,359.4	Mar 04	938
1978-79	227.0	0.2	0.3	7,354.5	Mar 28	102
1979-80	894.0	0.1	0.0	0.0		
1980-81	26.1	0.3	4.4	3,216.6	Dec 01	27
1981-82	100.0	0.1	5.1	3,700.6	Mar 17	201
1982-83	5,840.0	0.4	24.0	17,376.2	Mar 01	883
1983-84	37.0	0.2	6.0	4,322.4	Feb 28	53

M Data Missing
 * Record incomplete
 E Estimate
 N.D. Not determined
 ** Record not Computed
 + Less than 0.05 Acre Feet or less than 0.05 CFS, but greater than 0

RUNOFF – STREAM GAGING STATION PEAK FLOW

SAN DIMAS CREEK *below* San Dimas Dam
STATION NO. F303-R

Season	Daily CFS			Total Runoff (Acre-feet)	Peak Inflow	
	Maximum	Minimum	Mean		Date	CFS
1984-85	48.2	0.4	3.5	2,561.1	Jun 04	51
1985-86	56.3	0.0	3.3	2,415.3		
1986-87	9.3	0.0	0.9	616.1	Jan 04	23
1987-88	31.0	0.4	1.7	1,253.2		
1988-89	98.7	0.1	2.0	1,400.9	May 10	248
1989-90	50.2	0.0	0.5	365.0	Jun 08	198
1990-91	20.1	0.1	3.2	2,352.0	Oct 23	229
1991-92	136.0	0.0	5.3	3,830.5	Mar 24	150
1992-93	587.0	0.3	33.7	24,415.1	Jan 18	651
1993-94	22.2	0.3	3.3	2,389.3	Oct 27	130
1994-95	177.0	0.4	14.0	10,127.2	Mar 06	248
1995-96	73.1	0.5	5.7	4,111.1	Feb 22	78
1996-97	100.0	0.2	4.1	2,976.6	Apr 01	107
1997-98	271.0	0.4	16.3	11,836.8	Feb 24	452
1998-99	64.0	0.0	5.1	3,723.6	May 20	104
1999-00*	7.4	0.0	0.6	457.4	Jun 26	36
2000-01	41.0	0.0	2.2	1,570.0	May 15	293
2001-02	22.7	0.0	0.6	464.9	May 15	242
2002-03	151.6	0.1	3.3	2,371.4	Mar 16	771
2003-04	40.4	0.2	2.2	1,610.1	Dec 25	169
2004-05	1,110.0	0.0	32.9	23,700.0	Jan 11	1,410
2005-06	116	0.32	7.28	5,270	May 11	378

M	Data Missing
*	Record incomplete
E	Estimate
N.D.	Not determined
**	Record not Computed
+	Less than 0.05 Acre Feet or less than 0.05 CFS, but greater than 0

RUNOFF – STREAM GAGING STATION PEAK FLOW

SAN DIMAS WASH *below* Puddingstone Diversion
 STATION NO. F218-R

Season	Daily CFS			Total Runoff (Acre-feet)	Peak Inflow	
	Maximum	Minimum	Mean		Date	CFS
1945-46	22.0	0.0	0.3	246.7	Apr 04	42
1946-47	9.8	0.0	0.7	483.6	Dec 27	10
1947-48	N.D.					
1948-49	N.D.					
1949-50	N.D.					
1950-51	N.D.					
1951-52	23.0	0.0	1.1	781.1	Mar 17	23
1952-53	N.D.					
1953-54	12.2	0.0	0.3	244.0	Feb 14	12
1954-55	N.D.					
1955-56	8.4	0.0	0.1	92.6	Jan 27	16
1956-57	N.D.					
1957-58	12.0	0.0	1.6	1,112.5	Mar 28	19
1958-59	5.4	0.0	0.1	48.8	Feb 12	7
1959-60	N.D.					
1960-61	14.4	0.0	0.1	72.4	Jul 21	15
1961-62	3.4	0.0	0.1	50.8	Apr 06	43
1962-63	9.7	0.0	0.4	286.0	Oct 25	16
1963-64	16.9	0.0	0.1	67.2	Apr 10	46
1964-65	18.5	0.0	0.5	334.0	May 11	35
1965-66	34.0	0.0	4.6	3,329.7	Jan 04	35
1966-67	11.8	0.0	2.9	2,097.7	Feb 13	44
1967-68	N.D.					
1968-69	N.D.					
1969-70	N.D.					
1970-71	N.D.					
1971-72	N.D.					
1972-73	N.D.					
1973-74	N.D.					
1974-75	18.5	0.0	1.1	785.9	Feb 18	30
1975-76	10.2	0.0	0.5	332.8	Mar 01	11
1976-77	16.8	0.0	0.0	0.0		
1977-78	31.6	0.0	9.1	6,621.4	Apr 28	40

M Data Missing
 * Record incomplete
 E Estimate
 N.D. Not determined
 ** Record not Computed
 + Less than 0.05 Acre Feet or less than 0.05 CFS, but greater than 0

RUNOFF – STREAM GAGING STATION PEAK FLOW

SAN DIMAS WASH *below* Puddingstone Diversion
STATION NO. F218-R

Season	Daily CFS			Total Runoff (Acre-feet)	Peak Inflow	
	Maximum	Minimum	Mean		Date	CFS
1978-79	18.0	0.0	0.2	4,827.2	Dec 19	22
1979-80	26.5	0.0	6.9	4,966.2	Mar 29	28
1980-81	20.3	0.0	2.6	1,879.3	Feb 04	25
1981-82	27.0	0.0	3.4	2,445.6	Dec 09	40
1982-83	35.4	0.0	0.4	8,301.6	May 12	37
1983-84	22.3	0.0	0.1	2,884.2		
1984-85	21.0	0.0	1.8	1,281.9	Dec 27	22
1985-86	42.7	0.0	1.4	994.7	Mar 17	43
1986-87	6.9	0.0	0.5	702.5	Jan 05	16
1987-88	11.9	0.0	1.0	774.3	Jul 05	16
1988-89	13.8	0.0	1.0	691.2	Feb 04	16
1989-90	14.1	0.0	0.2	126.5	Jun 11	20
1990-91	19.1	0.0	2.8	2,012.0	Mar 06	21
1991-92	14.6	0.0	3.3	2,375.0	Apr 20	18
1992-93	19.1	0.0	4.5	3,225.0	Jan 11	27
1993-94	14.7	0.0	2.1	1,497.0	Feb 22	15
1994-95	21.1	0.0	7.7	5,554.0	Mar 30	23
1995-96	33.7	0.0	3.5	2,573.0	Feb 21	40
1996-97	35.0	0.0	2.7	1,980.0	Jan 28	36
1997-98	33.0	0.0	5.5	3,960.0	Feb 08	37
1998-99	25.0	0.0	1.8	1,290.0	Apr 22	30
1999-00	35.0	0.0	0.8	553.0	Jun 14	39
2000-01	27.0	0.0	1.1	819.0	Jun 03	29
2001-02	7.8	0.0	0.1	67.2	Jun 11	17
2002-03	19.2	0.0	0.8	553.9	Mar 16	38
2003-04	23.1	0.0	1.6	1,144.6	Dec 25	28
2004-05	29.0	0.0	6.7	4,830.0	Nov 02	35
2005-06	36.1	0.0	4.47	3,240	Apr 11	39

M	Data Missing
*	Record incomplete
E	Estimate
N.D.	Not determined
**	Record not Computed
+	Less than 0.05 Acre Feet or less than 0.05 CFS, but greater than 0

RUNOFF – STREAM GAGING STATION PEAK FLOW

SAN GABRIEL RIVER *below* Santa Fe Dam
 STATION NO. E281-R

Season	Daily CFS			Total Runoff (Acre-feet)	Peak Inflow	
	Maximum	Minimum	Mean		Date	CFS
1942-43	6,700.0	0.0	242.0	175,100.0	Jan 23	8,000
1943-44	2,550.0	0.0	133.0	96,890.0	Feb 22	3,480
1944-45	783.0	0.0	14.0	10,140.0	Feb 02	960
1945-46	1,140.0	0.0	45.0	32,560.0	Dec 23	1,600
1946-47	2,550.0	0.0	53.3	38,600.0	Dec 31	2,580
1947-48	809.0	0.0	11.2	8,120.0	Jun 04	822
1948-49	0.0	0.0	0.0	0.0		
1949-50	0.0	0.0	0.0	0.0		
1950-51	0.0	0.0	0.0	0.0		
1951-52	838.0	0.0	45.2	32,800.0	Jan 17	861
1952-53	488.0	0.0	23.5	16,990.0	Oct 30	598
1953-54	0.0	0.0	0.0	0.0		
1954-55	0.0	0.0	0.0	0.0		
1955-56	0.0	0.0	0.0	0.0		
1956-57	0.0	0.0	0.0	0.0		
1957-58	944.0	0.0	126.0	91,530.0	Apr 05	1,210
1958-59	342.0	0.0	12.4	9,000.0	Feb 24	606
1959-60	3.3	0.0	0.2	15.0	Feb 02	7
1960-61	0.0	0.0	0.0	0.0		
1961-62	437.0	0.0	46.2	33,450.0	Feb 13	728
1962-63	0.0	0.0	0.0	0.0		
1963-64	24.0	0.1	1.0	754.0		
1964-65	0.0	0.0	0.0	0.0		
1965-66	6,000.0	0.0	133.0	96,200.0	Nov 23	11,000
1966-67	597.0	0.0	62.1	44,930.0	Mar 23	614
1967-68	2.8	0.0	+	5.5	Nov 29	30
1968-69	26,000.0	0.0	540.0	391,200.0	Jan 26	30,900
1969-70	263.0	0.0	13.3	9,600.0	Mar 04	458
1970-71	116.0	0.0	6.5	4,721.5	Dec 17	116
1971-72	12.0	0.0	0.2	182.0	Dec 12	25
1972-73	310.0	0.0	32.6	23,330.8	Mar 22	340
1973-74	85.0	0.0	1.4	1,007.4	Apr 15	146
1974-75	No Data	from 1975	to 1998			

M Data Missing
 * Record incomplete
 E Estimate
 N.D. Not determined
 ** Record not Computed
 + Less than 0.05 Acre Feet or less than 0.05 CFS, but greater than 0

RUNOFF – STREAM GAGING STATION PEAK FLOW

SAN GABRIEL RIVER *below* Santa Fe Dam
 STATION NO. E281-R

Season	Daily CFS			Total Runoff (Acre-feet)	Peak Inflow	
	Maximum	Minimum	Mean		Date	CFS
1998-99	251.0	0.0	7.2	5,240.0		N.D.
1999-00	61.0	0.0	7.4	5,380.0	May 12	129
2000-01	129.0	0.0	0.8	611.0	Feb 12	306
2001-02	394.0	0.0	3.8	2,791.0	Nov 24	903
2002-03	72.7	0.0	2.0	1,452.6	Aug 25	185
2003-04	93.2	0.0	1.2	896.4	Dec 25	284
2004-05	14,700.0	0.0	441.0	320,000.0	Jan 09	26,100
2005-06	409	0.0	11.0	7,930	Nov 09	475

M	Data Missing
*	Record incomplete
E	Estimate
N.D.	Not determined
**	Record not Computed
+	Less than 0.05 Acre Feet or less than 0.05 CFS, but greater than 0

RUNOFF – STREAM GAGING STATION PEAK FLOW

SAN GABRIEL RIVER *below* Valley Blvd.
 STATION NO. F261C-R

Season	Daily CFS			Total Runoff (Acre-feet)	Peak Inflow	
	Maximum	Minimum	Mean		Date	CFS
2005-06	4.3	4.3	4.3	2570	Dec 01	4

M	Data Missing
*	Record incomplete
E	Estimate
N.D.	Not determined
**	Record not Computed
+	Less than 0.05 Acre Feet or less than 0.05 CFS, but greater than 0

RUNOFF – STREAM GAGING STATION PEAK FLOW

SAN GABRIEL RIVER *below* Cogswell Dam
STATION NO. F209-R

Season	Daily CFS			Total Runoff (Acre-feet)	Peak Inflow	
	Maximum	Minimum	Mean		Date	CFS
1933-34	1,758.4	0.0	12.5	9,140.1	Jan 01	4,401
1934-35	594.0	0.1	27.5	19,700.6	Dec 13	1,260
1935-36	43.0	0.2	9.8	7,088.5	Feb 17	45
1936-37	577.0	0.1	46.9	33,585.1	Feb 14	752
1937-38	6,620.0	0.7	80.2	58,918.4	Mar 02	25,000
1938-39	683.0	0.4	15.7	11,358.9	Sep 25	1,190
1939-40	141.0	0.6	13.0	9,373.6	Jan 15	1,240
1940-41	1,130.0	0.5	83.7	59,817.1	Feb 22	1,160
1941-42	76.0	1.0	9.3	7,294.0	Nov 01	90
1942-43	4,775.0	0.6	75.8	54,926.9	Feb 23	7,300
1943-44	805.0	2.2	52.2	37,701.6	Dec 28	1,210
1944-45	144.0	0.8	14.6	10,411.2	Nov 20	157
1945-46	602.0	0.8	22.7	16,477.5	Mar 30	814
1946-47	1,110.0	0.1	27.9	20,245.4	Jan 06	1,240
1947-48	28.0	0.1	4.8	3,045.2	May 17	79
1948-49	12.3	0.1	4.5	2,775.3	Jul 21	67
1949-50	12.7	0.1	4.9	3,551.8	Mar 02	84
1950-51	10.6	0.2	0.8	576.0	Oct 24	52
1951-52	1,240.0	0.1	35.4	25,874.4	Jan 18	2,000
1952-53	289.0	0.1	17.0	12,479.1	Jan 09	328
1953-54	144.0	0.1	10.5	7,551.7	Jan 26	146
1954-55	36.0	0.1	4.4	3,193.4	Oct 04	149
1955-56	15.6	0.1	5.0	3,626.0		
1956-57	139.0	0.1	5.3	3,789.0	Nov 09	260
1957-58	1,170.0	0.1	48.3	34,530.8	Apr 04	1,430
1958-59	120.0	0.2	8.8	6,244.7	Feb 16	124
1959-60	13.0	0.1	2.8	2,018.1	Jan 29	260
1960-61	5.6	0.1	0.8	579.2	Jan 11	336
1961-62	1,810.0	0.1	34.5	23,810.6	Feb 11	2,370
1962-63	N.D.					
1963-64	30.0	0.1	3.7	2,661.4	Jun 24	788
1964-65	47.0	0.1	5.8	4,170.0	Apr 09	53
1965-66	1,120.0	0.3	56.9	41,365.3	Nov 22	2,570

M Data Missing
 * Record incomplete
 E Estimate
 N.D. Not determined
 ** Record not Computed
 + Less than 0.05 Acre Feet or less than 0.05 CFS, but greater than 0

RUNOFF – STREAM GAGING STATION PEAK FLOW

**SAN GABRIEL RIVER *below* Cogswell Dam
STATION NO. F209-R**

Season	Daily CFS			Total Runoff (Acre-feet)	Peak Inflow	
	Maximum	Minimum	Mean		Date	CFS
1966-67	1,040.0	0.3	45.1	32,757.2	Dec 06	2,460
1967-68	N.D.					
1968-69	N.D.					
1969-70	N.D.					
1970-71	N.D.					
1971-72	N.D.					
1972-73	N.D.					
1973-74	N.D.					
1974-75	34.0	2.0	11.5	8,299.4	Oct 24	34
1975-76	32.7	2.0	6.9	4,998.9	Sep 15	33
1976-77	29.4	1.4	6.9	5,021.0	Oct 02	29
1977-78	3,550.0	1.9	3.9	86,060.2	Mar 04	8,780
1978-79	495.0	2.3	33.3	24,094.0	Mar 27	510
1979-80	1,920.0	2.5	81.5	33,672.8	Feb 19	2,760
1980-81	235.0	0.4	10.6	7,704.0	Apr 13	1,330
1981-82	1,110.0	0.4	12.5	9,059.1	Mar 23	3,910
1982-83	3,470.0	5.3	3.5	78,268.4	Mar 02	4,680
1983-84	115.0	4.4	0.6	12,496.7	Dec 28	190
1984-85	93.9	1.3	8.8	6,352.3	Jan 09	102
1985-86	535.0	4.6	21.2	15,314.4	Mar 19	1,140
1986-87	62.3	2.8	91.3	2,806.6	Nov 12	619
1987-88	202.0	2.3	19.7	11,249.1	Jan 27	756
1988-89	39.4	2.1	7.5	4,680.6	Feb 24	62
1989-90	7.2	1.4	2.4	1,717.7		
1990-91	390.0	1.0	15.3	10,933.5	Apr 03	417
1991-92	1,770.0	0.1	47.5	34,449.0	Feb 12	M
1992-93	1,360.0	1.0	109.0	79,250.8	Jan 14	1,550
1993-94	84.9	1.0	14.3	10,319.0	Dec 02	86
1994-95	951.0	0.5	56.7	41,044.0	Jan 10	1,740
1995-96	466.0	0.1	14.6	10,600.1	Feb 21	938
1996-97	335.0	0.1	11.2	8,084.8	Jan 22	651
1997-98	1,760.0	4.7	57.2	41,406.4	Feb 24	2,590
1998-99	184.0	2.5	17.2	12,430.8	Dec 01	935

M Data Missing
 * Record incomplete
 E Estimate
 N.D. Not determined
 ** Record not Computed
 + Less than 0.05 Acre Feet or less than 0.05 CFS, but greater than 0

RUNOFF – STREAM GAGING STATION PEAK FLOW

SAN GABRIEL RIVER *below* Cogswell Dam
 STATION NO. F209-R

Season	Daily CFS			Total Runoff (Acre-feet)	Peak Inflow	
	Maximum	Minimum	Mean		Date	CFS
1999-00	14.0	0.5	7.4	5,400.0	Feb 20	47
2000-01	22.0	7.6	14.4	10,410.0	Feb 13	37
2001-02	14.3	0.8	5.4	3,930.8	Nov 13	26
2002-03	24.7	0.3	11.5	8,284.5	May 28	232
2003-04	33.5	0.8	9.3	6,783.4	Oct 29	330
2004-05	3,220.0	1.6	134.0	96,800.0	Jan 11	5,370
2005-06	68.5	12.5	22.4	15,140	May 09	69

M	Data Missing
*	Record incomplete
E	Estimate
N.D.	Not determined
**	Record not Computed
+	Less than 0.05 Acre Feet or less than 0.05 CFS, but greater than 0

RUNOFF – STREAM GAGING STATION PEAK FLOW

SAN GABRIEL RIVER @ Foothill Blvd.
STATION NO. F190-R

Season	Daily CFS			Total Runoff (Acre-feet)	Peak Inflow	
	Maximum	Minimum	Mean		Date	CFS
1931-32	N.D.	0.0	N.D.	76,220*		N.D.
1932-33	2,530.0	0.0	15.7	11,400	Jan 19	10,000
1933-34	3,150.0	0.0	20.3	14,690	Jan 01	5,550
1934-35	448.0	0.0	81.7	59,220	Apr 08	1,080
1935-36	169.0	0.0	21.1	15,300	Feb 02	572
1936-37	1,610.0	0.0	162.0	117,400	Feb 19	2,050
1937-38	22,200.0	0.0	387.2	280,300*	Mar 02	62,000E
1938-39	220.0	0.0	15.0	10,850	Jan 05	267
1939-40	388.0	0.0	13.7	9,980	Jun 25	400
1940-41	4,090.0	0.0	304.0	220,100	Mar 04	5,280
1941-42	312.0	0.0	5.5	3,990	Apr 20	345
1942-43	10,400.0E	0.0	318.0	230,200	Feb 23	11,400
1943-44	2,750.0	0.0	163.0	118,300	Feb 22	4,840
1944-45	844.0	0.0	22.9	16,620	Feb 02	1,080
1945-46	1,190.0	0.0	58.1	42,060	Dec 23	1,670
1946-47	3,000.0	0.0	65.6	47,520	Dec 28	3,200
1947-48	1,010.0	0.0	14.3	10,370	Jun 02	1,120
1948-49	0.0	0.0	0.0	0.0		0
1949-50	20.0	0.0	0.1	67.0	Dec 18	192
1950-51	0.0	0.0	0.0	0.0		0
1951-52	3,860.0	0.0	98.1	71,210	Jan 18	4,670
1952-53	1,030.0	0.0	56.9	41,180	Oct 28	1,080
1953-54	848.0	0.0	30.3	21,920	Apr 16	2,160
1954-55	3.8	0.0	+	38.0	Jan 18	12
1955-56	215.0	0.0	2.0	1,430	Jan 26	800
1956-57	573.0	0.0	7.4	5,320	Apr 17	585
1957-58	2,270.0	0.0	229.0	165,600	Apr 05	2,520
1958-59	380.0	0.0	18.8	13,590	Jan 06	3,390
1959-60	13.0	0.0	0.7	499.0	Apr 27	90
1960-61	26.0	0.0	0.2	147.0	Jan 26	48
1961-62	1,750.0	0.0	103.0	74,270	Feb 12	2,260
1962-63	47.0	0.0	0.3	237.0	Feb 09	301
1963-64	13.0	0.0	0.1	66.0	Jan 22	56

M Data Missing
 * Record incomplete
 E Estimate
 N.D. Not determined
 ** Record not Computed
 + Less than 0.05 Acre Feet or less than 0.05 CFS, but greater than 0

RUNOFF – STREAM GAGING STATION PEAK FLOW

SAN GABRIEL RIVER @ Foothill Blvd.
STATION NO. F190-R

Season	Daily CFS			Total Runoff (Acre-feet)	Peak Inflow	
	Maximum	Minimum	Mean		Date	CFS
1964-65	293.0	0.0	11.0	7,940	Sep 06	881
1965-66	8,680.0	0.0	240.0	173,700	Nov 23	9,420
1966-67	2,080.0	0.0	249.0	180,000	Dec 06	9,830
1967-68	232.0	0.0	33.0	23,940	Nov 25	326
1968-69	22,700.0	0.0	794.0	575,300	Jan 26	N.D.
1969-70	378.0	0.0	32.9	23,810	Dec 21	411
1970-71	1,300.0	0.0	44.0	31,850	Mar 01	1,400
1971-72	254.0	0.0	13.3	9,660	Dec 08	254
1972-73	803.0	0.0	129.0	93,260	Feb 11	1,010
1973-74	374.0	0.0	56.2	40,640	Jan 07	670
1974-75	256.0	0.0	37.3	27,040		256
1975-76	179.0	0.0	27.3	19,833	Mar 01	10,002
1976-77	226.0	0.0	24.6	17,770	Oct 14	248
1977-78	*	*	664.2	480,390	Mar 04	24,300
1978-79	525.0	0.0	153.0	110,800	Mar 27	720
1979-80	8,751.0	0.0	440.0	313,199		N.D.
1980-81	362.0	0.0	23.8	17,247	Jan 29	477
1981-82	573.0	0.1	79.8	57,237	Mar 14	720
1982-83	12,810.0	0.0	16.1	356,249	Mar 02	12,810
1983-84	432.0	1.8	50.9	36,846		N.D.
1984-85	396.0	0.0	16.7	12,084		N.D.
1985-86	805.0	0.0	117.0	84,632	Mar 03	805
1986-87	112.0	0.0	31.2	22,594	Mar 06	130
1987-88	544.0	0.0	62.3	444,868	Jun 08	805
1988-89	464.0	0.0	49.6	35,849	Feb 04	1,130
1989-90	145.0	0.0	26.7	19,337	Apr 17	155
1990-91	567.0	0.0	74.1	52,908	Jul 27	578
1991-92	1,580.0	0.0	200.0	144,865	Feb 15	4,000
1992-93	8,600.0	0.0	598.0	432,600	Feb 16	11,300
1993-94	393.0	0.0	53.4	38,660	Feb 17	1,750
1994-95	2,180.0	0.0	278.0	201,100	Mar 06	5,020
1995-96	531.0	0.0	91.7	66,560	Oct 06	1,130
1996-97	563.0	0.0	62.3	45,100	Dec 22	522

M Data Missing
 * Record incomplete
 E Estimate
 N.D. Not determined
 ** Record not Computed
 + Less than 0.05 Acre Feet or less than 0.05 CFS, but greater than 0

RUNOFF – STREAM GAGING STATION PEAK FLOW

SAN GABRIEL RIVER @ Foothill Blvd.
 STATION NO. F190-R

Season	Daily CFS			Total Runoff (Acre-feet)	Peak Inflow	
	Maximum	Minimum	Mean		Date	CFS
1997-98	7,660.0	0.0	319.0	230,900	Feb 24	11,900
1998-99	216.0	0.0	28.2	20,420	Jul 15	326
1999-00	272.0	0.0	40.9	29,690		N.D.
2000-01	377.0	0.0	45.9	33,220	Dec 13	730
2001-02	350.3	0.0	22.0	15,915.7	Oct 31	460
2002-03	543.4	0.0	51.3	37,111.2	Mar 16	669
2003-04	0.0	0.0	56.0	0.0	Feb 26	806
2004-05	15,300.0	0.0	674.0	488,000.0	Jan 11	18,800
2005-06	613	0.0	148.0	107,000	May 11	662

M	Data Missing
*	Record incomplete
E	Estimate
N.D.	Not determined
**	Record not Computed
+	Less than 0.05 Acre Feet or less than 0.05 CFS, but greater than 0

RUNOFF – STREAM GAGING STATION PEAK FLOW

SAN GABRIEL RIVER *above* Florence Avenue
STATION NO. F262C-R

Season	Daily CFS			Total Runoff (Acre-feet)	Peak Inflow	
	Maximum	Minimum	Mean		Date	CFS
1934-35	718.0	0.0	6.5	4,700	Oct 17	5,850
1935-36	414.0	0.0	2.4	1,750	Feb 12	3,400
1936-37	NO RECORD					
1937-38	NO RECORD					
1938-39	325.0	0.0		2,540*	Sep 25	1,380
1939-40	271.0	0.0	2.6	1,900	Jan 08	1,150
1940-41	2,390.0	0.0	105.0	75,780	Mar 04	5,630
1941-42	117.0	0.0	18.7	13,570	Dec 10	413
1942-43	9,190.0	0.0	257.0	186,400	Jan 23	14,000
1943-44	4,860.0	0.0	110.0	79,930	Feb 22	16,000
1944-45	806.0	0.0	36.1	26,110	Nov 12	4,020
1945-46	1,500.0	0.0	22.8	16,480	Dec 23	4,370
1946-47	2,880.0	0.0	38.2	27,650	Dec 31	3,640
1947-48	0.0	0.0	0.0	0.0		0
1948-49	0.0	0.0	0.0	0.0		0
1949-50	0.0	0.0	0.0	0.0		0
1950-51	0.0	0.0	0.0	0.0		0
1951-52	3,070.0	0.0	33.4	24,250	Jan 16	8,040
1952-53	181.0	0.0	1.4	983.0	Dec 02	1,270
1953-54	688.0	0.0	5.2	3,790	Feb 13	4,060
1954-55	317.0	0.0	1.4	1,000	Jan 18	1,850
1955-56	4,580.0	0.0	14.3	10,360	Jan 26	12,800E
1956-57	490.0	0.0	1.9	1,390	Jan 13	2,040
1957-58	1,720.0	0.0	31.9	23,960	Apr 07	6,300
1958-59	826.0	0.0	4.3	3,130	Jan 06	4,060
1959-60	377.0	0.0	2.7	1,990	Jan 12	2,210
1960-61	316.0	0.0	0.9	678.0	Jan 26	2,940
1961-62	2,170.0	0.0	23.7	17,340	Feb 11	6,470
1962-63	1,190.0	0.0	7.1	5,160	Mar 16	4,270
1963-64	707.0	0.0	4.8	3,460	Nov 20	4,330
1964-65	1,210.0	0.0	12.4	9,010	Apr 09	4,900
1965-66	697.0	0.0	7.8	5,620	Jan 30	2,080
1966-67	1,900.0	0.0	32.2	23,300	Jan 23	4,320

M Data Missing
 * Record incomplete
 E Estimate
 N.D. Not determined
 ** Record not Computed
 + Less than 0.05 Acre Feet or less than 0.05 CFS, but greater than 0

RUNOFF – STREAM GAGING STATION PEAK FLOW

SAN GABRIEL RIVER *above* Florence Avenue
STATION NO. F262C-R

Season	Daily CFS			Total Runoff (Acre-feet)	Peak Inflow	
	Maximum	Minimum	Mean		Date	CFS
1967-68	NO RECORD					
1968-69	8,430.0	0.0	273.0	197,600	Jan 25	10,900
1969-70	1,650.0	0.0	16.5	11,950	Mar 04	4,510
1970-71	2,160.0	0.0	15.5	11,220	Nov 29	4,410
1971-72	1,450.0	0.0	10.2	7,400	Dec 24	7,510
1972-73	2,540.0	0.0	28.6	20,700	Feb 11	5,680
1973-74	3,650.0	0.0	26.8	19,420	Jan 07	5,870
1974-75	1,390.0	0.0	8.4	6,110	Dec 04	6,010
1975-76	690.0	0.0	5.9	4,160	Sep 10	2,800
1976-77	486.0	0.0	4.4	3,171	Jan 03	3,320
1977-78	5,440.0	0.0	224.0	162,158	Feb 12	8,220
1978-79	*	*	*	*		*
1979-80	9,290.0	0.0	222.3	156,500	Feb 17	10,900
1980-81	219.0	0.0	1.1	773.0	Mar 02	414
1981-82	186.0	0.0	1.0	723.0	Mar 17	755
1982-83	4,920.0	0.0	95.2	68,938	Mar 01	10,400
1983-84	131.0	0.0	1.8	1,341	Nov 25	179
1984-85	215.0	0.0	2.4	1,771	Dec 19	283
1985-86	528.0	0.0	6.4	4,597	Sep 25	4,510
1986-87	585.0	0.0	2.7	1,936	Jan 04	3,350
1987-88	75.9	0.0	0.6	466.0	Apr 21	327
1988-89	148.0	0.0	1.1	825.0	Dec 25	1,174
1989-90	32.0	0.0	0.1	65.0	Feb 17	353
1990-91	169.0	0.0	1.0	694.0	Mar 27	605
1991-92	673.0	0.0	5.3	3,840	Feb 12	2,340
1992-93	6,990.0	0.0	276.0	199,500	Jan 18	7,600
1993-94	0.0	0.0	0.0	0.0		-
1994-95	1,520.0	0.0	35.6	25,760	Jan 10	5,120
1995-96	871.0	0.0	3.8	2,727	Feb 21	2,360
1996-97	291.0	0.0	5.1	3,710	Dec 11	1,240
1997-98	5,750.0	0.0	168.0	121,400	Mar 26	8,070
1998-99	19.0	0.0	0.2	116.0	Nov 08	78
1999-00	159.0	0.0	1.1	788.0	Mar 08	3,130

M Data Missing
 * Record incomplete
 E Estimate
 N.D. Not determined
 ** Record not Computed
 + Less than 0.05 Acre Feet or less than 0.05 CFS, but greater than 0

RUNOFF – STREAM GAGING STATION PEAK FLOW

SAN GABRIEL RIVER *above* Florence Avenue
 STATION NO. F262C-R

Season	Daily CFS			Total Runoff (Acre-feet)	Peak Inflow	
	Maximum	Minimum	Mean		Date	CFS
2000-01	708.0	0.0	4.8	3,480	Jan 11	2,180
2001-02	242.8	0.0	1.0	555.0	Nov 24	1,756
2002-03	311.5	0.0	1.6	1,143	Feb 12	1,430
2003-04	0.0	0.0	0.5	0.0	Feb 26	856
2004-05	5,940.0	0.0	199.0	144,000.0	Feb 21	7,930
2005-06	969	0.0	7.16	5,180	Apr 05	2819

M	Data Missing
*	Record incomplete
E	Estimate
N.D.	Not determined
**	Record not Computed
+	Less than 0.05 Acre Feet or less than 0.05 CFS, but greater than 0

RUNOFF – STREAM GAGING STATION PEAK FLOW

SAN GABRIEL RIVER *below* San Gabriel River Parkway
 STATION NO. F263C-R

Season	Daily CFS			Total Runoff (Acre-feet)	Peak Inflow	
	Maximum	Minimum	Mean		Date	CFS
1928-29	93.0	0.0	3.9	2,850	Mar 10	397
1929-30	152.0	0.0	4.8	3,490	Jan 11	726
1930-31	106.0	0.0	3.4	2,490	Feb 04	404
1931-32	1,620.0	0.0	18.0	13,060	Feb 09	3,830
1932-33	286.0	0.0	4.2	3,040	Jan 29	1,450
1933-34	5,580.0	0.0	23.4	16,950	Jan 01	22,000
1934-35	746.0	0.0	16.8	12,190	Oct 17	5,400
1935-36	355.0	0.0	6.3	4,590	Feb 12	3,400
1936-37	2,440.0	0.0	47.3	34,240*	Feb 14	6,970
1937-38	11,400.0	0.0	131.0	94,810	Mar 02	22,700E
1938-39	672.0	0.0	34.1	24,620	Sep 25	2,110
1939-40	544.0	0.0	27.8	20,180	Feb 01	2,110
1940-41	2,700.0	0.0	139.0	100,900	Mar 04	5,830
1941-42	149.0	0.0	39.5	28,630	Dec 10	412
1942-43	10,500.0	0.0	289.0	209,600	Jan 23	14,810
1943-44	5,350.0	0.0	144.0	104,200	Feb 22	14,100
1944-45	744.0	0.0	58.7	42,520	Nov 12	4,210
1945-46	1,660.0	0.0	47.5	34,370	Dec 23	4,660
1946-47	2,810.0	0.0	62.7	45,420	Dec 30	3,240
1947-48	48.0	0.0	11.8	8,590	Feb 06	84
1948-49	77.0	0.0	8.9	6,470	Jan 20	144
1949-50	272.0	0.0	5.7	4,130	Feb 06	845
1950-51	16.0	0.0	0.8	558.0	Jan 30	27
1951-52	2,860.0	0.0	70.2	50,900	Jan 16	14,000
1952-53	327.0	0.0	19.2	13,880	Dec 02	1,450
1953-54	901.0	0.0	15.2	10,990	Feb 13	5,450
1954-55	323.0	0.0	12.8	9,250	Jan 18	1,590
1955-56	4,030.0	0.0	33.1	24,050	Jan 26	12,400
1956-57	558.0	0.0	24.9	18,000	Mar 01	3,600
1957-58	2,210.0	0.0	114.0	82,190	Apr 07	6,890
1958-59	777.0	0.0	16.9	33,960	Jan 06	3,870
1959-60	449.0	0.0	49.7	36,100	Jan 12	2,390
1960-61	421.0	0.0	65.9	47,700	Jan 26	1,330

M Data Missing
 * Record incomplete
 E Estimate
 N.D. Not determined
 ** Record not Computed
 + Less than 0.05 Acre Feet or less than 0.05 CFS, but greater than 0

RUNOFF – STREAM GAGING STATION PEAK FLOW

SAN GABRIEL RIVER *below* San Gabriel River Parkway
STATION NO. F263C-R

Season	Daily CFS			Total Runoff (Acre-feet)	Peak Inflow	
	Maximum	Minimum	Mean		Date	CFS
1961-62	2,840.0	0.0	142.0	103,100	Feb 11	8,810
1962-63	1,080.0	0.0	58.6	42,430	Mar 17	4,320
1963-64	881.0	0.0	63.0	45,700	Jan 22	3,380
1964-65	1,410.0	0.0	107.0	77,270	Apr 09	5,590
1965-66	916.0	0.0	76.4	55,320	Feb 06	2,670
1966-67	2,270.0	0.3	86.7	62,800	Jan 23	5,680
1967-68	222.0	3.2	36.2	26,240	Nov 19	330
1968-69	10,210.0	15.0	379.0	274,300	Jan 26	11,740
1969-70	1,880.0	13.0	109.0	79,110	Mar 04	5,530
1970-71	2,170.0	2.6	75.4	54,590	Dec 21	4,610
1971-72	1,900.0	0.0	45.1	32,740	Dec 24	6,970
1972-73	2,540.0	0.0	92.6	67,020	Feb 11	5,620
1973-74	3,640.0	4.0	83.6	60,500	Jan 04	6,170
1974-75	2,050.0	1.0	52.7	38,190	Dec 04	7,520
1975-76	1,500.0	0.0	44.4	32,000		N.D.
1976-77	739.0	0.0	23.0	16,670	Jan 03	4,080
1977-78	6,630.0	0.0	353.4	256,222	Mar 01	7,650
1978-79	338.0	2.3	51.0	36,943	Jan 15	2,052
1979-80	9,140.0	6.0	283.9	201,315	Feb 19	10,600
1980-81	336.0	3.8	33.0	23,902	Mar 01	577
1981-82	290.0	0.0	32.0	23,162	Mar 14	523
1982-83	4,740.0	7.7	163.1	118,084	Mar 01	8,650
1983-84	152.0	3.8	30.6	22,254	Oct 01	414
1984-85	387.0	3.1	31.1	22,522	Dec 18	750
1985-86	598.0	0.5	59.4	31,244	Sep 25	3,340
1986-87	1,060.0	0.0	30.3	21,994	Jan 04	5,140
1987-88	559.0	0.0	32.7	23,684	Apr 20	1,270
1988-89	570.0	0.0	28.9	20,899	Dec 24	3,020
1989-90	612.0	0.0	39.6	28,677	Feb 17	947
1990-91	787.0	0.0	34.7	24,904	Feb 28	1,140
1991-92	1,320.0	0.0	42.0	30,460	Feb 12	3,390
1992-93	6,460.0	0.0	377.0	273,200	Jan 18	7,430
1993-94	387.0	0.2	35.9	26,000	Jan 25	1,520

M Data Missing
 * Record incomplete
 E Estimate
 N.D. Not determined
 ** Record not Computed
 + Less than 0.05 Acre Feet or less than 0.05 CFS, but greater than 0

RUNOFF – STREAM GAGING STATION PEAK FLOW

SAN GABRIEL RIVER *below* San Gabriel River Parkway
STATION NO. F263C-R

Season	Daily CFS			Total Runoff (Acre-feet)	Peak Inflow	
	Maximum	Minimum	Mean		Date	CFS
1994-95	2,470.0	0.0	146.0	105,900	Mar 11	5,070
1995-96	794.0	1.6	47.8	34,720	Jan 31	1,620
1996-97	1,210.0	0.7	73.9	53,530	Dec 09	2,040
1997-98	5,450.0	2.4	233.0	168,600	Feb 23	7,060
1998-99	350.0	0.0	35.5	25,720	Feb 05	621
1999-00	607.0	0.1	58.6	42,560	Jun 06	2,550
2000-01	1,240.0	0.0	68.3	49,420	Feb 25	4,620
2001-02	766.1	0.0	47.3	34,260.2	Nov 24	4,017
2002-03	1,576.2	0.0	45.2	32,730.5	Feb 12	5,360
2003-04	1,259.1	0.0	34.0	24,869.2	Feb 26	4,080
2004-05	5,800.0	0.0	306.0	222,000.0	Feb 21	7,090
2005-06	1,280	3.71	75.60	54,710	Jan 02	5868

M	Data Missing
*	Record incomplete
E	Estimate
N.D.	Not determined
**	Record not Computed
+	Less than 0.05 Acre Feet or less than 0.05 CFS, but greater than 0

RUNOFF – STREAM GAGING STATION PEAK FLOW

SAN GABRIEL RIVER *below* Morris Dam
STATION NO. U8-R

Season	Daily CFS			Total Runoff (Acre-feet)	Peak Inflow	
	Maximum	Minimum	Mean		Date	CFS
1895-96	134.0	0.0	N.D.	N.D.		
1896-97	1,760.0	0.0	95.6	69,200		N.D.
1897-98	1,600.0	0.0	9.6	6,920		N.D.
1898-99	16.0	0.0	0.1	74.0		N.D.
1899-00	49.0	0.0	0.4	272.0		N.D.
1900-01	5,170.0	0.0	94.1	68,100	Feb 05	N.D.
1901-02	318.0	0.0	4.3	3,100		6,250
1902-03	2,940.0	0.0	104.0	74,900		N.D.
1903-04	1,070.0	0.0	9.3	6,720		N.D.
1904-05	2,940.0	0.0	172.0	124,000		N.D.
1905-06	7,950.0	0.0	262.0	190,000		N.D.
1906-07	6,730.0	0.0	406.0	293,000		N.D.
1907-08	1,160.0	0.0	46.4	33,700		N.D.
1908-09	7,030.0	0.0	197.0	143,000		N.D.
1909-10	12,400.0	0.0	137.0	99,100	Jan 01	13,900
1910-11	9,100.0	0.0	321.0	231,000	Mar 10	13,500
1911-12	2,950.0	0.0	55.5	40,300		N.D.
1912-13	1,880.0	0.0	25.6	18,600		N.D.
1913-14	11,800.0	0.0	359.0	260,000	Feb 20	18,100
1914-15	1,110.0	0.0	108.0	77,900	Jan 29	2,770
1915-16	22,300.0	0.0	315.0	228,000	Jan 18	40,000
1916-17	3,900.0	0.0	49.3	35,700		N.D.
1917-18	4,940.0	0.0	123.0	88,600	Mar 17	8,680
1918-19	76.0	0.0	3.2	2,290	Feb 11	230
1919-20	2,400.0	0.0	94.6	68,700	Mar 02	5,000
1920-21	2,050.0	0.0	40.1	29,000	Mar 14	4,000
1921-22	16,000.0	0.0	505.0	365,000	Dec 19	22,300
1922-23	2,250.0	0.0	44.0	31,800	Dec 13	3,670
1923-24	253.0	0.0	3.5	2,540	Mar 26	510
1924-25	588.0	0.0	4.2	3,030	Mar 04	3,000
1925-26	5,530.0	0.0	113.0	81,700	Apr 07	14,900
1926-27	11,400.0	0.0	123.0	88,900	Feb 16	18,200
1927-28	672.0	0.0	4.1	2,940	Feb 04	1,810

M Data Missing
 * Record incomplete
 E Estimate
 N.D. Not determined
 ** Record not Computed
 + Less than 0.05 Acre Feet or less than 0.05 CFS, but greater than 0

RUNOFF – STREAM GAGING STATION PEAK FLOW

SAN GABRIEL RIVER *below* Morris Dam
STATION NO. U8-R

Season	Daily CFS			Total Runoff (Acre-feet)	Peak Inflow	
	Maximum	Minimum	Mean		Date	CFS
1928-29	411.0	0.0	10.0	7,210	Mar 10	895
1929-30	396.0	0.0	21.5	15,600	Mar 15	586
1930-31	601.0	0.0	9.5	6,900	Apr 26	1,450
1931-32	5,830.0	0.0	120.0	87,200	Feb 09	7,500
1932-33	1,630.0	0.0	21.9	15,900	Jan 19	5,820
1933-34	2,380.0	0.0	30.4	22,080	Jan 01	6,120
1934-35	460.0	0.0	102.0	74,080	Feb 09	507
1935-36	224.0	0.0	31.6	22,980	Apr 10	455
1936-37	1,770.0	0.0	195.0	141,100	Feb 20	1,950
1937-38	21,660.0	0.1	415.0	300,200	Mar 02	65,700
1938-39	316.0	6.5	53.5	38,680		N.D.
1939-40	506.0	0.0	50.5	36,640	Jun 24	506
1940-41	3,870.0	0.0	317.0	229,300	Mar 04	4,460
1941-42	370.0	2.5	13.1	9,480	Apr 20	422
1942-43	10,370.0	2.0	334.0	242,000	Jan 23	12,100
1943-44	2,710.0	3.6	184.0	133,700	Feb 22	5,170
1944-45	980.0	6.1	62.8	45,490	Feb 06	988
1945-46	937.0	0.3	75.9	54,930	Dec 23	980
1946-47	2,930.0	0.0	74.9	54,220	Dec 31	2,980
1947-48	1,170.0	0.0	18.1	13,170	Jun 02	1,320
1948-49	61.0	0.0	5.7	4,140	Oct 27	79
1949-50	7.9	0.0	0.7	51.0	Jul 31	8
1950-51	47.0	0.0	8.6	6,220	Apr 27	168
1951-52	3,530.0	0.0	91.1	66,120		N.D.
1952-53	1,190.0	0.0	69.4	50,240		N.D.
1953-54	960.0	0.0	34.6	25,030	Apr 16	9,420
1954-55	9.9	0.0	0.1	86.0	Sep 26	10
1955-56	43.0	0.0	0.2	176.0	Sep 30	45
1956-57	650.0	0.0	12.4	9,010	Apr 14	656
1957-58	2,470.0	0.0	241.0	174,100	Apr 05	2,780
1958-59	348.0	0.0	11.3	8,200	Feb 24	364
1959-60	0.0	0.0	0.0	0.0		0
1960-61	7.5	0.0	1.7	1,250	May 06	9

M Data Missing
 * Record incomplete
 E Estimate
 N.D. Not determined
 ** Record not Computed
 + Less than 0.05 Acre Feet or less than 0.05 CFS, but greater than 0

RUNOFF – STREAM GAGING STATION PEAK FLOW

SAN GABRIEL RIVER *below* Morris Dam
STATION NO. U8-R

Season	Daily CFS			Total Runoff (Acre-feet)	Peak Inflow	
	Maximum	Minimum	Mean		Date	CFS
1961-62	1,520.0	0.0	102.0	73,590	Feb 12	1,650
1962-63	27.0	0.0	1.0	712.0	Sep 04	45
1963-64	22.0	0.0	0.2	160.0	Aug 26	50
1964-65	276.0	0.0	10.7	981.0	Jun 12	291
1965-66	7,260.0	0.0	225.0	162,900	Nov 23	8,640
1966-67	3,750.0	0.0	232.0	167,900	Dec 06	5,680
1967-68	236.0	0.0	31.7	23,030	Nov 25	326
1968-69	19,300.0	0.0	750.0	543,000	Feb 25	29,850
1969-70	1,060.0	0.0	52.4	37,970	Feb 28	1,102
1970-71	434.0	0.0	31.4	22,760	Jan 04	439
1971-72	299.0	0.0	15.3	11,090	Dec 08	299
1972-73	849.0	0.0	131.0	94,790	Mar 19	918
1973-74	310.0	0.0	60.8	44,010	Nov 07	364
1974-75	248.0	0.0	29.7	21,500		248
1975-76	191.0	0.0	28.8	20,870	Mar 25	178
1976-77	267.0	0.0	21.8	15,760	Oct 13	273
1977-78	10,800.0	0.0	630.1	456,170	Mar 04	14,100
1978-79	504.0	0.0	149.2	108,000	Apr 22	519
1979-80	8,310.0	0.0	473.3	337,410	Feb 19	8,720
1980-81	415.0	0.0	37.8	27,335	Dec 11	514
1981-82	586.0	0.0	90.2	65,284	Mar 24	5,490
1982-83	11,600.0	0.0	15.9	352,733	Mar 02	11,900
1983-84	485.0	0.0	2.2	48,419	Oct 13	552
1984-85	464.0	0.0	48.5	35,100	Jan 01	469
1985-86	831.0	0.0	131.0	94,778	Feb 25	856
1986-87	186.0	0.0	60.8	43,995	Feb 23	212
1987-88	253.0	0.0	94.1	67,673	Jun 08	793
1988-89	434.0	0.4	68.0	49,058	Jan 05	434
1989-90	166.0	0.1	64.0	46,101	Apr 28	162
1990-91	785.0	0.0	113.0	80,999	Jul 28	793
1991-92	1,740.0	0.8	206.0	149,508	Feb 15	3,460
1992-93	9,500.0	0.0	655.0	474,300	Jan 14	9,500
1993-94	480.0	0.0	57.8	41,860	Aug 02	1,490

M Data Missing
 * Record incomplete
 E Estimate
 N.D. Not determined
 ** Record not Computed
 + Less than 0.05 Acre Feet or less than 0.05 CFS, but greater than 0

RUNOFF – STREAM GAGING STATION PEAK FLOW

SAN GABRIEL RIVER *below* Morris Dam
 STATION NO. U8-R

Season	Daily CFS			Total Runoff (Acre-feet)	Peak Inflow	
	Maximum	Minimum	Mean		Date	CFS
1994-95	*	*	*	*		*
1995-96	552.0	0.4	124.0	89,820	Sep 25	1,220
1996-97	696.0	0.3	90.3	65,340	Feb 02	1,620
1997-98	7,200.0	0.0	365.0	264,000	Feb 24	10,300
1998-99	250.0	0.0	33.1	23,970	Mar 01	3,140
1999-00	316.0	1.2	59.1	42,940	May 01	834
2000-01	490.0	2.0	65.3	47,240	May 09	1,240
2001-02	242.1	2.3	65.5	47,415.9	Oct 31	1,183
2002-03	746.8	1.9	118.0	85,273.4	Nov 14	1,070
2003-04	676.8	1.1	89.0	64,272.9	Oct 06	683
2004-05	15,900.0	21.0	748.0	541,000.0	Jan 11	20,700
2005-06	791	1.65	215	155,600	May 11	868

M	Data Missing
*	Record incomplete
E	Estimate
N.D.	Not determined
**	Record not Computed
+	Less than 0.05 Acre Feet or less than 0.05 CFS, but greater than 0

RUNOFF – STREAM GAGING STATION PEAK FLOW

SAN GABRIEL RIVER *above* Whittier Narrow Dam
STATION NO. G44B-R

Season	Daily CFS			Total Runoff (Acre-feet)	Peak Inflow	
	Maximum	Minimum	Mean		Date	CFS
1991-92*	1,080.0	0.0	18.7	13,303.3		
1992-93	8,940.0	0.0	331.0	239,550.9		
1993-94	1,030.0	0.0	19.2	13,928.9	Mar 24	8,650
1994-95	6,130.0	0.0	112.0	80,833.8	Jan 10	29,600
1995-96	5,280.0	0.0	33.9	24,639.1	Feb 20	19,700
1996-97	2,300.0	0.0	31.7	22,917.2	Dec 09	7,130
1997-98	7,200.0	0.0	107.0	77,631.5	Feb 07	28,900
1998-99	355.0	0.0	4.3	3,135.7	Nov 08	3,700
1999-00*	1,510.0	0.0	23.2	16,815.7	Feb 23	11,700
2000-01	2,360.0	0.0	28.3	20,490.0	Jan 11	9,210
2001-02	1,063.1	0.0	3.5	2,562.9	Nov 24	21,429
2002-03	3,906.9	0.0	48.8	35,377.6	Dec 16	22,100
2003-04	3,474.5	0.0	28.0	20,670.1	Feb 26	15,600
2004-05	18,200.0	0.0	374.0	271,000.0	Jan 09	26,900
2005-06	1,470	0.0	17.20	12,480	Mar 28	10027

M Data Missing
 * Record incomplete
 E Estimate
 N.D. Not determined
 ** Record not Computed
 + Less than 0.05 Acre Feet or less than 0.05 CFS, but greater than 0

RUNOFF – STREAM GAGING STATION PEAK FLOW

**SAN GABRIEL RIVER *above* Spring Street
STATION NO. F42B-R**

Season	Daily CFS			Total Runoff (Acre-feet)	Peak Inflow	
	Maximum	Minimum	Mean		Date	CFS
1927-28	0.0	0.0	0.0	0.0		0
1928-29	0.0	0.0	0.0	0.0		0
1929-30	0.0	0.0	0.0	0.0		0
1930-31	0.0	0.0	0.0	0.0		0
1931-32	1,270.0	0.0	9.0	6,560	Feb 09	4,490
1932-33	170.0	0.0	1.1	809.0	Jan 20	2,250
1933-34	4,860.0	0.0	17.1	12,370	Jan 01	15,000
1934-35	463.0	0.0	3.3	2,380	Oct 17	3,390
1935-36	220.0	0.0	1.6	1,190	Feb 12	1,910
1936-37	1,850.0	0.0	18.7	13,510	Feb 14	4,560
1937-38	14,500.0	0.0	122.0	88,020	Mar 02	27,000E
1938-39	265.0	0.0	1.5	1,080	Dec 19	956
1939-40	192.0E	0.0	2.0	1,460	Feb 03	1,400
1940-41	1,710.0	0.0	91.0	65,890	Mar 13	4,830
1941-42	148.0	0.0	15.0	10,830	Dec 11	277
1942-43	9,570.0	0.0	280.0	175,100	Jan 23	14,600
1943-44	5,570.0	0.0	99.4	72,200	Feb 22	15,000
1944-45	742.0	0.0	30.8	22,280	Feb 02	1,910
1945-46	1,460.0	0.0	17.4	12,590	Dec 23	3,300
1946-47	2,520.0	0.0	33.3	24,100	Jan 01	2,740
1947-48	0.0	0.0	0.0	0.0		0
1948-49	0.0	0.0	0.0	0.0		0
1949-50	0.0	0.0	0.0	0.0		0
1950-51	0.0	0.0	0.0	0.0		0
1951-52	STATION	OUT		21,100E		0
1952-53	101.0	0.0	0.3	220.0	Dec 02	301
1953-54	445.0	0.0	2.9	2,060	Feb 13	3,520
1954-55	240.0	0.0	1.1	820.0	Jan 18	1,640
1955-56	4,300.0	0.0	12.9	9,390	Jan 26	12,500
1956-57	393.0	0.0	1.2	896.0	Jan 13	1,760
1957-58	1,510.0	0.0	31.6	22,890	Apr 07	5,220
1958-59	615.0	0.0	3.2	2,340	Jan 06	2,940
1959-60	355.0	0.0	2.6	1,860	Jan 12	2,180

M Data Missing
 * Record incomplete
 E Estimate
 N.D. Not determined
 ** Record not Computed
 + Less than 0.05 Acre Feet or less than 0.05 CFS, but greater than 0

RUNOFF – STREAM GAGING STATION PEAK FLOW

**SAN GABRIEL RIVER *above* Spring Street
STATION NO. F42B-R**

Season	Daily CFS			Total Runoff (Acre-feet)	Peak Inflow	
	Maximum	Minimum	Mean		Date	CFS
1960-61	204.0	0.0	0.6	448.0	Jan 26	1,780
1961-62	2,940.0	0.0	32.0	23,070	Feb 11	7,350
1962-63	1,530.0	0.0	7.3	5,290	Mar 17	4,120
1963-64	751.0	0.0	4.4	3,160	Jan 22	2,570
1964-65	1,070.0	0.0	12.1	8,770	Apr 09	4,540
1965-66	630.0	0.0	10.2	7,400	Feb 06	1,950
1966-67	1,190.0	0.0	37.1	26,850	Jan 23	4,760
1967-68	847.0	+	9.2	6,720	Nov 21	3,280
1968-69	9,350.0	+	286.0	207,300	Jan 25	11,700
1969-70	1,760.0	+	24.2	17,520	Mar 05	5,550
1970-71	2,700.0	+	27.1	19,610	Dec 19	5,550
1971-72	1,980.0	0.1	82.2	39,900	Dec 24	8,580
1972-73	2,710.0	10.6	70.6	51,100	Jan 16	5,680
1973-74	3,730.0	10.6	63.9	46,220	Jan 04	6,090
1974-75	2,190.0	6.1	48.1	34,850	Dec 04	7,190
1975-76	660.0	12.6	50.5	36,640	Sep 10	3,890
1976-77	816.0	20.0	54.7	39,600	Jan 03	4,460
1977-78	*	*	*	*		*
1978-79	*	*	*	*	Jan 31	*
1979-80	8,310.0	19.3	252.7	179,251	Feb 14	11,000
1980-81	*	*	*	*		*
1981-82	433.0	31.4	74.5	53,942	Mar 14	1,260
1982-83	5,900.0	43.4	221.0	159,961	Mar 01	13,400
1983-84	483.0	32.9	109.0	78,947	Nov 01	4,470
1984-85	488.0	44.2	3.8	84,238	Feb 09	1,480
1985-86	*	*	*	*	Feb 15	3,930
1986-87	1,110.0	32.9	113.3	82,029	Jan 04	4,990
1987-88	727.0	26.0	108.4	78,667	Dec 04	2,220
1988-89	406.0	33.3	91.0	65,899	Dec 25	2,080
1989-90	880.0	4.3	81.0	58,661	Feb 17	1,610
1990-91	813.0	25.7	78.2	56,581	Mar 01	1,610
1991-92	2,000.0	28.4	107.0	77,647	Feb 12	6,330
1992-93	6,480.0	19.8	389.0	269,000	Feb 19	10,100

M Data Missing
 * Record incomplete
 E Estimate
 N.D. Not determined
 ** Record not Computed
 + Less than 0.05 Acre Feet or less than 0.05 CFS, but greater than 0

RUNOFF – STREAM GAGING STATION PEAK FLOW

SAN GABRIEL RIVER *above Spring Street*
 STATION NO. F42B-R

Season	Daily CFS			Total Runoff (Acre-feet)	Peak Inflow	
	Maximum	Minimum	Mean		Date	CFS
1993-94	*	*	*	*		*
1994-95	3,230.0	33.3	173.0	125,400	Mar 11	10,200
1995-96	1,120.0	25.8	112.0	81,050	Feb 20	4,330
1996-97	738.0	51.0	143.0	97,910	Dec 11	2,410
1997-98	5,550.0	57.0	276.0	199,900	Feb 07	12,500
1998-99	290.0	52.0	136.0	98,720	Apr 11	1,120
1999-00	414.0	59.0	126.0	91,220	Mar 08	2,240
2000-01	2,010.0	27.0	159.0	115,200	Jan 11	8,480
2001-02	845.6	1.6	112.0	80,817.7	Nov 24	4,065
2002-03	1,625.5	33.4	96.1	132,237.7	Feb 12	5,190
2003-04	1,595.3	44.6	157.0	114,093.6	Feb 26	5,780
2004-05	6,230.0	21.0	323.0	234,000.0	Feb 20	10,100
2005-06	1,170	60.60	132.0	95,690	Sep 11	10772

M	Data Missing
*	Record incomplete
E	Estimate
N.D.	Not determined
**	Record not Computed
+	Less than 0.05 Acre Feet or less than 0.05 CFS, but greater than 0

RUNOFF – STREAM GAGING STATION PEAK FLOW

SAN JOSE CHANNEL *below* Seventh Avenue
STATION NO. F312B-R

Season	Daily CFS			Total Runoff (Acre-feet)	Peak Inflow	
	Maximum	Minimum	Mean		Date	CFS
1955-56	1,830.0	0.0	5.6	4,070	Jan 26	5,180
1956-57	190.0	0.0	1.1	795.0	Mar 01	1,410
1957-58	1,210.0	0.0	19.4	14,060	Apr 07	3,990
1958-59	487.0	0.0	4.4	3,210	Jan 06	2,720
1959-60	253.0	0.0	4.7	3,430	Apr 27	1,380
1960-61	103.0	0.0	0.6	403.0	Jan 26	429
1961-62	1,220.0	0.0	13.2	9,540	Feb 11	3,800
1962-63	581.0	0.0	7.6	5,530	Mar 16	1,940
1963-64	483.0	+	6.8	4,900	Jan 22	1,250
1964-65	1,080.0	0.0	14.0	10,110	Apr 09	4,540
1965-66	1,640.0	+	21.1	15,290	Dec 29	5,220
1966-67	2,290.0	2.8	36.3	26,260	Jan 24	10,200
1967-68	2,180.0	6.4	24.6	17,870	Mar 08	10,100
1968-69	4,370.0	9.3	73.2	52,980	Feb 25	9,710
1969-70	898.0	8.0	28.7	20,490	Mar 04	3,930
1970-71	1,180.0	5.0	22.4	16,190	Dec 21	4,400
1971-72	988.0	3.9	17.4	12,650	Dec 24	3,720
1972-73	1,820.0	7.0	38.4	27,830	Feb 13	6,440
1973-74	1,970.0	8.0	33.3	24,060	Jan 04	4,900
1974-75	1,260.0	5.2	64.4	46,650	Dec 04	9,620
1975-76	1,200.0	5.0	25.6	18,310	Sep 10	5,000
1976-77	816.0	3.0	23.2	16,820	Aug 17	3,580
1977-78	2,740.0	5.0	74.0	53,613	Mar 04	11,100
1978-79	2,420.0	5.6	43.9	31,812	Jan 31	7,330
1979-80	3,150.0	6.3	81.4	57,830	Feb 18	13,000
1980-81	1,240.0	12.6	96.2	69,674	Mar 01	4,810
1981-82	1,140.0	8.6	34.1	24,673	Mar 14	5,790
1982-83	2,720.0	11.8	65.8	47,646	Feb 27	19,200
1983-84	1,050.0	8.6	28.3	20,538	Oct 01	5,060
1984-85	927.0	8.6	38.6	27,929	Dec 18	5,330
1985-86	1,850.0	10.2	51.8	37,499	Feb 15	7,250
1986-87	1,900.0	7.8	38.4	27,787	Jan 04	6,980
1987-88	1,700.0	6.3	35.3	25,633	Jan 17	7,850

M Data Missing
 * Record incomplete
 E Estimate
 N.D. Not determined
 ** Record not Computed
 + Less than 0.05 Acre Feet or less than 0.05 CFS, but greater than 0

RUNOFF – STREAM GAGING STATION PEAK FLOW

SAN JOSE CHANNEL *below* Seventh Avenue
STATION NO. F312B-R

Season	Daily CFS			Total Runoff (Acre-feet)	Peak Inflow	
	Maximum	Minimum	Mean		Date	CFS
1988-89	1,100.0	7.4	59.2	42,258	Dec 21	4,800
1989-90	3,060.0	7.8	80.6	58,322	Feb 17	7,700
1990-91	1,960.0	7.1	68.0	48,938	Mar 01	7,270
1991-92	2,370.0	7.3	83.0	60,221	Feb 11	16,800
1992-93	4,370.0*	7.0*	*	*	Jan 07	20,200
1993-94	*	*	*	*		*
1994-95	2,480.0	22.7	105.0	75,660	Jan 10	11,400
1995-96	1,630.0	0.0	44.4	32,260	Feb 20	10,100
1996-97	868.0	1.8	40.4	29,240	Jan 25	4,440
1997-98	1,760.0	11.0	70.7	51,170	Feb 07	14,500
1998-99	314.0	3.4	26.1	18,980	Nov 28	2,150
1999-00	1,220.0	6.9	81.1	58,900	Apr 18	6,480
2000-01	3,320.0E	6.9*	83.5E	60,440E		N.D.
2001-02	1,025.1	8.9	74.3	53,896.8	Nov 24	11,784
2002-03	1,983.2	8.0	61.7	44,691.3	Dec 16	9,720
2003-04	1,842.5	1.9	53.0	38,387.9	Feb 26	7,980
2004-05	2,390.0	9.2	114.0	82,700.0	Feb 19	10,500
2005-06	1,480	12.0	104.0	75,240	Jan 02	9293

M	Data Missing
*	Record incomplete
E	Estimate
N.D.	Not determined
**	Record not Computed
+	Less than 0.05 Acre Feet or less than 0.05 CFS, but greater than 0

RUNOFF – STREAM GAGING STATION PEAK FLOW

SANTA ANITA WASH @ Longden Avenue
STATION NO. F193B-R

Season	Daily CFS			Total Runoff (Acre-feet)	Peak Inflow	
	Maximum	Minimum	Mean		Date	CFS
1959-60	55.0	+	0.6	465.0	Apr 27	534
1960-61	33.0	0.0	0.3	216.0	Nov 12	314
1961-62	693.0	0.0	8.2	5,910	Feb 11	1,780
1962-63	101.0	0.0	1.0	709.0	Feb 09	621
1963-64	47.0	0.0	0.9	650.0	Nov 20	581
1964-65	63.0	0.0	1.4	985.0	Apr 09	518
1965-66	541.0	+	12.0	8,730	Dec 29	1,380
1966-67	613.0	+	16.0	11,570	Dec 06	1,180
1967-68	111.0	+	1.7	1,230	Nov 19	816
1968-69	2,760.0	+	46.9	33,930	Jan 25	6,850
1969-70	150.0	+	3.2	2,300	Mar 02	1,290
1970-71	350.0	+	3.4	2,440	Dec 21	590
1971-72	71.0	0.0	0.4	320.0	Dec 24	324
1972-73	595.0	0.0	5.9	4,270	Feb 27	1,630
1973-74	158.0	+	2.9	2,090	Jan 07	518
1974-75	95.0	0.0	1.2	875.0	Dec 04	943
1975-76	82.0	0.0	1.5	1,060	Sep 11	766
1976-77	46.0	0.0	1.0	752.0	Oct 23	694
1977-78	877.0	0.0	35.5	25,720	Feb 10	2,350
1978-79	1,160.0	0.1	12.4	8,978	Feb 21	1,730
1979-80	1,690.0	0.1	72.1	51,148	Jan 29	2,090
1980-81	121.0	0.0	1.3	963.0	Jan 29	1,100
1981-82	176.0	0.0	3.4	2,485	Mar 17	1,060
1982-83	958.0	0.0	79.5	57,533	Mar 02	2,240
1983-84	143.0	0.1	8.9	6,453	Nov 01	656
1984-85	92.7	0.0	3.0	2,142	Dec 19	517
1985-86	104.0	0.2	6.9	4,987	Feb 14	379
1986-87	27.3	0.0	0.6	454.0	Oct 02	858
1987-88	82.0	0.0	1.6	1,156	Jan 17	858
1988-89	42.2	0.0	1.0	717.0	Dec 16	180
1989-90	76.6	0.0	0.8	617.0	Jan 13	463
1990-91	104.0	0.0	2.2	1,602	Mar 01	490
1991-92	498.0	0.0	19.2	13,964	Feb 12	1,320

M Data Missing
 * Record incomplete
 E Estimate
 N.D. Not determined
 ** Record not Computed
 + Less than 0.05 Acre Feet or less than 0.05 CFS, but greater than 0

RUNOFF – STREAM GAGING STATION PEAK FLOW

SANTA ANITA WASH @ Longden Avenue
STATION NO. F193B-R

Season	Daily CFS			Total Runoff (Acre-feet)	Peak Inflow	
	Maximum	Minimum	Mean		Date	CFS
1992-93	552.0	0.0	35.7	25,860	Jan 18	1,370
1993-94	354.0	0.0	2.2	1,623	Apr 27	404
1994-95	375.0	0.0	19.2	13,920	Jan 10	1,070
1995-96	299.0	0.0	4.5	3,257	Jan 31	1,550
1996-97	89.0	+	5.7	4,110	Jan 26	443
1997-98	910.0	+	22.1	16,010	Feb 06	883
1998-99	34.0	0.0	1.0	717.0	Jan 26	230
1999-00	71.0	+	2.1	1,510	Feb 21	581
2000-01	86.0	+	2.9	2,110	Jan 11	430
2001-02	43.5	0.0	1.1	813.1	Nov 24	611
2002-03	113.5	0.0	2.7	1,922.2	Feb 13	741
2003-04	137.9	0.0	1.7	1,260.2	Feb 26	664
2004-05	1,650.0	0.0	42.8	31,000.0	Jan 10	2,610
2005-06	242	0.0	4.20	3,040	Jan 02	840

M	Data Missing
*	Record incomplete
E	Estimate
N.D.	Not determined
**	Record not Computed
+	Less than 0.05 Acre Feet or less than 0.05 CFS, but greater than 0

RUNOFF – STREAM GAGING STATION PEAK FLOW

SANTA ANITA WASH *below* Foothill Blvd.
 STATION NO. F260C-R

Season	Daily CFS			Total Runoff (Acre-feet)	Peak Inflow	
	Maximum	Minimum	Mean		Date	CFS
1935-36	0.0	0.0	0.0			
1936-37	140.0	0.0	10.0	6,448.3	Feb 15	174
1937-38	468.0	0.0	3.4	2,330.0		
1938-39	46.0	0.0	2.0	1,471.3	Jan 05	128
1939-40	58.0	0.0	1.6	1,062.3	Jan 08	248
1940-41	262.0	0.0	18.1	12,930.8	Mar 04	482
1941-42	26.0	0.0	1.0	692.6	Dec 29	65
1942-43	2,130.0	0.0	30.0	21,674.2	Jan 23	3,800
1943-44	395.0	0.0	8.7	6,139.4	Feb 22	747
1944-45	92.0	0.0	2.3	1,540.0	Jun 25	225
1945-46	182.0	0.0	2.0	1,479.5	Dec 23	350
1946-47	144.0	0.0	3.4	2,488.7	Dec 29	289
1947-48	N.D.					
1948-49	N.D.					
1949-50	N.D.					
1950-51	N.D.					
1951-52	N.D.					
1952-53	N.D.					
1953-54	N.D.					
1954-55	N.D.					
1955-56	N.D.					
1956-57	N.D.					
1957-58	254.0	0.0	8.9	6,316.6		
1958-59	66.0	0.0	0.7	474.8	Jan 06	1,000
1959-60	10.2	0.0	0.2	161.3	Jan 11	194
1960-61	9.5	0.0	0.1	96.2	Nov 05	257
1961-62	584.0	0.0	7.3	4,982.9	Feb 11	1,440
1962-63	43.0	0.0	0.6	408.2	Feb 09	257
1963-64	32.0	0.0	0.6	423.3	Jan 22	335
1964-65	27.0	0.0	0.6	446.5	Apr 16	267
1965-66	481.0	0.0	10.5	7,589.0	Dec 29	1,260
1966-67	489.0	0.0	14.8	10,772.2	Dec 06	914

M Data Missing
 * Record incomplete
 E Estimate
 N.D. Not determined
 ** Record not Computed
 + Less than 0.05 Acre Feet or less than 0.05 CFS, but greater than 0

RUNOFF – STREAM GAGING STATION PEAK FLOW

SANTA ANITA WASH *below* Foothill Blvd.
STATION NO. F260C-R

Season	Daily CFS			Total Runoff (Acre-feet)	Peak Inflow	
	Maximum	Minimum	Mean		Date	CFS
1967-68	N.D.					
1968-69	N.D.					
1969-70	N.D.					
1970-71	N.D.					
1971-72	N.D.					
1972-73	N.D.					
1973-74	N.D.					
1974-75	43.0	0.0	0.5	378.8	Dec 04	477
1975-76	53.5	0.0	0.8	583.5	Feb 09	209
1976-77	35.9	0.0	0.6	414.7	Oct 23	437
1977-78	937.0	0.0	41.6	30,147.0	Feb 10	2,030
1978-79	29.3	0.0	2.3	1,685.8	Feb 21	335
1979-80	N.D.					
1980-81	39.5	0.0	0.9	652.0	Mar 19	411
1981-82	100.0	0.0	2.8	2,019.2	Mar 17	346
1982-83	773.0	0.0	30.2	21,839.8	Mar 02	1,340
1983-84	61.5	0.0	5.7	4,150.8	Nov 01	398
1984-85	110.0	0.0	4.5	3,282.6	Dec 19	378
1985-86	913.0	0.0	0.0	0.0		
1986-87	64.3	0.0	2.0	1,415.2	Jan 04	424
1987-88	40.8	0.0	1.3	938.8	Jan 17	975
1988-89	22.4	0.0	1.0	673.8	Dec 16	91
1989-90	28.0	0.0	0.7	537.1	Feb 17	189
1990-91	52.7	0.0	0.8	570.0	Feb 28	323
1991-92	593.0	0.0	27.7	20,116.0	Feb 12	1,110
1992-93	572.0	0.0	33.8	24,439.1	Jan 18	905
1993-94	59.2	0.0	5.8	4,192.3	Feb 17	175
1994-95	215.0	0.0	15.7	11,368.9	Mar 10	517
1995-96	236.0	0.0	9.4	5,846.3		
1996-97	86.0	0.0	4.8	3,454.6	Jan 26	252
1997-98	429.0	0.0	11.6	8,366.7		N.D.
1998-99	3.0	0.0	0.1	49.4	Jan 26	76

M Data Missing
 * Record incomplete
 E Estimate
 N.D. Not determined
 ** Record not Computed
 + Less than 0.05 Acre Feet or less than 0.05 CFS, but greater than 0

RUNOFF – STREAM GAGING STATION PEAK FLOW

SANTA ANITA WASH *below* Foothill Blvd.
 STATION NO. F260C-R

Season	Daily CFS			Total Runoff (Acre-feet)	Peak Inflow	
	Maximum	Minimum	Mean		Date	CFS
1999-00	63.0	0.0	1.7	1,257.5	Feb 21	479
2000-01	89.0	0.0	1.3	930.0	Jun 28	264
2001-02	2.2	0.0	0.6	426.3	Nov 24	22
2002-03	3.5	0.0	0.1	9.7	Mar 15	195
2003-04	64.2	0.0	0.8	565.9	Feb 26	331
2004-05	1,210.0	0.0	23.6	17,100.0	Jan 10	1,740
2005-06	30.20	0.0	1.34	972.0	Jan 02	422

M	Data Missing
*	Record incomplete
E	Estimate
N.D.	Not determined
**	Record not Computed
+	Less than 0.05 Acre Feet or less than 0.05 CFS, but greater than 0

RUNOFF – STREAM GAGING STATION PEAK FLOW

SANTA CLARA RIVER @ Old Road Bridge
STATION NO. F92C-R

Season	Daily CFS			Total Runoff (Acre-feet)	Peak Inflow	
	Maximum	Minimum	Mean		Date	CFS
1930-31	291.0	0.1	2.6	1,890	07-Feb	2,310
1931-32	739.0	0.1	5.9	4,280	09-Feb	2,090
1932-33	90.0	0.0	0.7	488	19-Jan	618
1933-34	448.0	+	2.2	1,600	01-Jan	3,870
1934-35	82.0	+	1.5	1,090	05-Jan	608
1935-36	113.0	0.0	2.2	1,590	23-Feb	833
1936-37	471.0	0.0	6.7	4,850	27-Dec	3,410
1937-38	6,370.0	+	37.2	26,900	02-Mar	24,000E
1938-39	435.0E	+	14.4	10,410	15-Dec	4,620
1939-40	79.0	0.3	2.2	1,570	01-Feb	676
1940-41	3,450.0	0.3	57.1	41,320	04-Mar	5,050
1941-42	167.0	0.6	32.3	23,400	28-Dec	443
1942-43	5,420.0	1.4	65.2	47,170	23-Jan	15,000
1943-44	9,360.0	2.0	68.6	49,770	22-Feb	22,200
1944-45	110.0	2.2	15.3	11,050	02-Feb	317
1945-46	194.0	0.4	8.9	6,440	30-Mar	500
1946-47	371.0	1.0	15.4	11,150	26-Dec	1,620
1947-48	33.0E	0.8	3.1	2,270	24-Mar	350E
1948-49	4.9	0.4	1.8	1,300	11-Mar	10
1949-50	5.2	0.1	1.2	888	06-Feb	9
1950-51	2.0	+	0.3	217	29-Jan	6
1951-52	1,620.0	+	23.1	16,760	16-Jan	7,600
1952-53	43.0	0.1	0.8	592	01-Dec	N.D.
1953-54	104.0	+	1.6	1,160	19-Jan	626
1954-55	96.0	+	0.8	612	18-Jan	746
1955-56	184.0	+	1.4	1,000	26-Jan	344
1956-57	195.0	0.0	1.4	1,020	28-Feb	1,920
1957-58	1,440.0	0.0	14.7	10,620	03-Apr	3,850
1958-59	215.0	0.0	1.3	940	06-Jan	1,410
1959-60	12.0	0.0	0.4	288	27-Apr	151
1960-61	58.0	0.0	0.7	533	05-Nov	830
1961-62	1,690.0	0.0	14.5	10,470	12-Feb	4,250

M Data Missing
 * Record incomplete
 E Estimate
 N.D. Not determined
 ** Record not Computed
 + Less than 0.05 Acre Feet or less than 0.05 CFS, but greater than 0

RUNOFF – STREAM GAGING STATION PEAK FLOW

SANTA CLARA RIVER @ Old Road Bridge
STATION NO. F92C-R

Season	Daily CFS			Total Runoff (Acre-feet)	Peak Inflow	
	Maximum	Minimum	Mean		Date	CFS
1962-63	105.0	0.0	1.3	965	16-Mar	1,470
1963-64	85.0	0.0	1.1	780	22-Jan	860
1964-65	240.0	0.0	2.1	1,550	08-Apr	1,260
1965-66	3,200.0	0.0	22.0	15,990	29-Dec	11,600
1966-67	820.0	+	9.8	7,100	24-Jan	3,000
1967-68	475.0	0.0	4.2	3,070	24-Jan	2,810
1968-69	N.D.	0.2	**	30,170E	25-Feb	31,800E
1969-70	164.0	1.0	13.3	9,610	01-Mar	900
1970-71	1,830.0	0.5	15.1	10,930	29-Nov	8,150
1971-72	442.0	0.5	9.2	6,640	27-Dec	2,200
1972-73	1,470.0	0.4	13.0	9,450	11-Feb	4,760
1973-74	984.0	1.0	9.1	6,600	07-Jan	2,440
1974-75	187.0	0.9	5.4	3,910	04-Dec	1,120
1975-76	138.0	+	3.7	2,710	10-Sep	999
1976-77	273.0	+	3.8	2,750	08-May	2,510
1977-78	*	*	*	*	10-Feb	*
1978-79	605.0	1.0	16.0	11,617	28-Mar	3,370
1979-80	*	*	*	*		*
1980-81	NO RECORD					
1981-82	NO RECORD					
1982-83	5,214.0	0.8	113.8	83,154	01-Mar	14,925
1983-84	*	*	*	*		*
1984-85	295.0	1.0	18.8	13,558	19-Dec	1,820
1985-86	492.0	7.5	24.7	17,896	14-Feb	1,050
1986-87	71.3	5.2	14.3	10,197	18-Nov	444
1987-88	485.0	0.0	16.5	11,981	04-Dec	1,450
1988-89	145.0	3.7	11.9	8,535	16-Dec	876
1989-90	18.0	4.9	12.2	8,864	17-Feb	523
1990-91	604.0	2.4	13.9	10,058	01-Mar	2,750
1991-92	*	*	*	*		*
1992-93	*	*	*	*		*
1993-94	*	*	*	*		*

M Data Missing
 * Record incomplete
 E Estimate
 N.D. Not determined
 ** Record not Computed
 + Less than 0.05 Acre Feet or less than 0.05 CFS, but greater than 0

RUNOFF – STREAM GAGING STATION PEAK FLOW

SANTA CLARA RIVER @ Old Road Bridge
 STATION NO. F92C-R

Season	Daily CFS			Total Runoff (Acre-feet)	Peak Inflow	
	Maximum	Minimum	Mean		Date	CFS
1994-95	*	*	*	*		*
1995-96	*	*	*	*		*
1996-97	181.0	1.9	8.6	6,190	22-Dec	2,000
1997-98	7,080.0	1.3	89.2	53,800	23-Feb	19,000
1998-99	136.0	4.3	15.7	11,330	31-Jan	1,610
1999-00	1,300.0	3.0	18.7	13,600	23-Feb	8,770
2000-01	27.0	2.6	7.8	5,620	24-Jan	30
2001-02	17.0	2.2	5.2	2,350.0	17-Feb	38
2002-03	0	0	13.1	0	12-Feb	7,290
2003-04	990	0.42	6.8	4940	26-Feb	5900
2004-05	7580	0.65	125	90270	09-Jan	20900
2005-06	117.0	1.45	6.97	4430	02-Jan	707

M	Data Missing
*	Record incomplete
E	Estimate
N.D.	Not determined
**	Record not Computed
+	Less than 0.05 Acre Feet or less than 0.05 CFS, but greater than 0

RUNOFF – STREAM GAGING STATION PEAK FLOW

SANTA FE DIVERSION CHANNEL *below* Santa Fe Dam
STATION NO. F280-R

Season	Daily CFS			Total Runoff (Acre-feet)	Peak Inflow	
	Maximum	Minimum	Mean		Date	CFS
1943-44	253.0	0.0	20.9	15,180	May 18	253
1944-45	0.0	0.0	0.0	0.0		0
1945-46	479.0	0.0	31.2	22,610	Sep 13	484
1946-47	446.0	0.0	16.8	12,200	Nov 27	484
1947-48	786.0	0.0	10.9	7,880	Jun 04	800
1948-49	0.0	0.0	0.0	0.0		0
1949-50	0.0	0.0	0.0	0.0		0
1950-51	0.0	0.0	0.0	0.0		0
1951-52	381.0	0.0	3.2	2,280	Mar 16	732
1952-53	819.0	0.0	10.7	7,720	Nov 03	839
1953-54	750.0	0.0	11.5	8,350	May 07	752
1954-55	0.0	0.0	0.0	0.0		0
1955-56	0.0	0.0	0.0	0.0		0
1956-57	452.0	0.0	4.7	3,400	Apr 16	455
1957-58	621.0	0.0	27.0	19,530	Apr 04	635
1958-59	0.0	0.0	0.0	0.0		0
1959-60	0.0	0.0	0.0	0.0		0
1960-61	0.0	0.0	0.0	0.0		0
1961-62	547.0	0.0	12.7	9,190	Feb 12	819
1962-63	0.0	0.0	0.0	0.0		0
1963-64	0.0	0.0	0.0	0.0		0
1964-65	+	0.0	+	+	Sep 08	1
1965-66	348.0	0.0	10.4	7,540	Jan 07	425
1966-67	227.0	0.0	21.3	15,470	Dec 18	236
1967-68	0.8	0.0	+	33.0	Nov 20	1
1968-69	268.0	0.0	33.6	24,340	Apr 15	290
1969-70	55.0	0.0	1.9	1,360	Mar 03	202
1970-71	90.0	0.0	3.4	2,430	Dec 24	92
1971-72	95.0	0.0	1.0	697.0	Jan 19	116
1972-73	222.0	0.0	13.0	9,410	Feb 21	280
1973-74	233.0	0.0	6.4	4,650	Apr 16	241
1974-75	24.0	0.0	0.6	466.0	Apr 22	27
1975-76	0.0	0.0	0.0	0.0		0

M Data Missing
 * Record incomplete
 E Estimate
 N.D. Not determined
 ** Record not Computed
 + Less than 0.05 Acre Feet or less than 0.05 CFS, but greater than 0

RUNOFF – STREAM GAGING STATION PEAK FLOW

SANTA FE DIVERSION CHANNEL *below* Santa Fe Dam
STATION NO. F280-R

Season	Daily CFS			Total Runoff (Acre-feet)	Peak Inflow	
	Maximum	Minimum	Mean		Date	CFS
1976-77	23.5	0.0	2.0	1,439	Aug 17	52
1977-78	*	*	56.2	40,699	Apr 21	432
1978-79	148.0	0.0	16.7	12,113	May 01	195
1979-80	388.0	0.0	48.3	34,730	Mar 02	440
1980-81	370.0	0.0	19.8	14,360	Nov 20	384
1981-82	268.0	0.0	18.0	13,050	Jun 17	284
1982-83	365.0	0.0	49.9	36,043	Jul 13	400
1983-84	382.0	0.0	23.1	16,768	Oct 14	453
1984-85	31.7	0.0	0.4	278.0	Dec 19	57
1985-86	378.0	0.0	40.2	29,110	Feb 27	391
1986-87	4.7	0.0	1.9	115.0	Nov 18	7
1987-88	424.0	0.0	11.5	8,362	Jun 09	429
1988-89	7.0	0.0	0.4	302.0	May 11	11
1989-90	0.0	0.0	0.0	0.0		0
1990-91	547.0	0.0	23.5	16,782	Jul 31	566
1991-92	428.0	0.0	50.2	36,405	Feb 04	450
1992-93	193.0	0.0	42.0	30,370	Aug 09	215
1993-94	72.0	0.0	2.1	1,511	Jul 29	129
1994-95	410.0	0.0	23.5	17,050	Dec 04	414
1995-96	385.0	0.0	35.8	25,988	Oct 05	397
1996-97	393.0	0.0	19.6	14,220	Jul 22	407
1997-98	452.0	0.0	23.5	17,010	May 19	467
1998-99	113.0	0.0	2.2	1,570	Feb 10	225
1999-00	0.0	0.0	0.0	0.0		0
2000-01	16.0	0.0	0.7	470.0	Jan 08	179
2001-02	16.8	0.0	0.3	217.3	Jan 16	22
2002-03	208.1	0.0	2.2	1,562.4	Aug 12	326
2003-04	51.9	0.0	0.8	605.0	Oct 09	56
2004-05	520.0	0.0	46.0	33,300.0	Mar 09	540
2005-06	258.0	0.0	9.48	6,860	Apr 27	280

M	Data Missing
*	Record incomplete
E	Estimate
N.D.	Not determined
**	Record not Computed
+	Less than 0.05 Acre Feet or less than 0.05 CFS, but greater than 0

RUNOFF – STREAM GAGING STATION PEAK FLOW

SANTIAGO CREEK *above* Little Rock Creek
STATION NO. F125-R

Season	Daily CFS			Total Runoff (Acre-feet)	Peak Inflow	
	Maximum	Minimum	Mean		Date	CFS
1953-54	24.0	0.0	0.9	631.0	Jan 25	44
1954-55	13.0	0.0	0.8	602.0	Feb 17	16
1955-56	41.0	0.0	0.6	406.0	Jan 26	87
1956-57	6.8	0.0	0.3	199.0	Jan 13	15
1957-58	58.0	0.0	3.2	2,280	Apr 03	107
1958-59	10.0	0.0	0.5	386.0	Feb 16	21
1959-60	1.3	0.0	0.1	75.0	Feb 02	2
1960-61	+	0.0	+	+	Aug 05	1
1961-62	118.0	0.0	1.3	945.0	Feb 11	199
1962-63	0.9	0.0	+	19.0	Apr 21	1
1963-64	0.4	0.0	+	10.0	Apr 02	1
1964-65	3.5	0.0	0.1	87.0	Apr 20	4
1965-66	78.0	0.0	1.3	926.0	Dec 29	269
1966-67	38.0	0.0	1.4	982.0	Dec 06	66
1967-68	9.5	0.0	0.5	380.0	Nov 21	17
1968-69	345.0	0.0	5.8	4,170	Jan 25	1,140
1969-70	14.0	0.0	0.6	455.0	Mar 01	21
1970-71	7.2	0.0	0.4	290.0	Nov 29	22
1971-72	3.2	0.0	0.1	75.0	Dec 24	5
1972-73	72.0	0.0	0.9	640.0	Feb 11	175
1973-74	4.3	0.0	0.2	144.0	Jan 17	6
1974-75	3.8	0.0	0.2	121.0	Mar 06	6
1975-76	14.0	0.0	0.1	55.0	Sep 24	1,060
1976-77	5.5	0.0	0.1	83.0	May 09	9
1977-78	*	*	*	*	Feb 09	*
1978-79	23.0	0.0	1.4	986.0	Mar 28	303
1979-80	67.0	0.0	3.1	2,227	Feb 16	193
1980-81	2.8	0.0	0.2	158.0		N.D.
1981-82	30.0	0.0	0.8	602.0		N.D.
1982-83	152.0	0.0	5.6	4,022	Mar 01	280
1983-84	11.2	0.0	1.0	711.0	Dec 25	26
1984-85	40.3	0.0	0.5	347.0	Dec 19	103
1985-86	13.7	0.0	0.5	337.0	Jan 30	24

M Data Missing
 * Record incomplete
 E Estimate
 N.D. Not determined
 ** Record not Computed
 + Less than 0.05 Acre Feet or less than 0.05 CFS, but greater than 0

RUNOFF – STREAM GAGING STATION PEAK FLOW

SANTIAGO CREEK *above* Little Rock Creek
STATION NO. F125-R

Season	Daily CFS			Total Runoff (Acre-feet)	Peak Inflow	
	Maximum	Minimum	Mean		Date	CFS
1986-87	0.7	0.0	+	11.0	Mar 07	1
1987-88	17.0	0.0	3.3	204.0		N.D.
1988-89	10.9	0.0	2.9	165.0	Feb 09	86
1989-90	0.0	0.0	0.0	0.0		0
1990-91	19.7	0.0	0.2	109.0		N.D.
1991-92	50.8	0.0	0.9	627.0	Feb 12	97
1992-93	177.0	0.0	5.9	4,266	Feb 19	235
1993-94	1.5	0.0	0.3	248.0	Feb 14	2
1994-95	76.5	0.0	1.9	1,379	Mar 11	90
1995-96	55.6	0.0	0.5	335.0	Mar 05	75
1996-97	12.0	0.0	0.2	120.0	Jan 26	19
1997-98	121.0	0.0	4.2	3,050	Feb 23	317
1998-99	2.8	0.0	0.3	246.0	Jul 13	5
1999-00	6.1	0.0	0.1	98.0	Apr 18	7
2000-01	23.0	0.0	0.6	454.0	Mar 06	37
2001-02	N.D.					
2002-03	0.0	0.0	0.3	0.0	Feb 12	52
2003-04	5.6	0.0	0.1	32.0	Feb 26	21
2004-05	236.0	0.0	6.2	4,440.0	Feb 21	470
2005-06	64.0	0.0	2.10	1,420	Feb 28	95

M Data Missing
 * Record incomplete
 E Estimate
 N.D. Not determined
 ** Record not Computed
 + Less than 0.05 Acre Feet or less than 0.05 CFS, but greater than 0

RUNOFF – STREAM GAGING STATION PEAK FLOW

SAWPIT CREEK *below* Sawpit Dam
STATION NO. F278-R

Season	Daily CFS			Total Runoff (Acre-feet)	Peak Inflow	
	Maximum	Minimum	Mean		Date	CFS
1941-42	1.3	0.0	0.1	30.3	Mar 13	3
1942-43	186.0	0.0	4.0	2,859.6	Jan 23	284
1943-44	50.0	0.0	1.0	667.4	Feb 22	67
1944-45	N.D.					
1945-46	21.0	0.0	0.2	169.2	Dec 23	36
1946-47	18.0	0.0	0.5	328.9	Dec 26	26
1947-48	N.D.					
1948-49	N.D.					
1949-50	N.D.					
1950-51	N.D.					
1951-52	N.D.					
1952-53	N.D.					
1953-54	N.D.					
1954-55	N.D.					
1955-56	N.D.					
1956-57	N.D.					
1957-58	N.D.					
1958-59	N.D.					
1959-60	N.D.					
1960-61	N.D.					
1961-62	N.D.					
1962-63	N.D.					
1963-64	N.D.					
1964-65	N.D.					
1965-66	N.D.					
1966-67	N.D.					
1967-68	N.D.					
1968-69	N.D.					
1969-70	N.D.					
1970-71	N.D.					
1971-72	N.D.					
1972-73	N.D.					
1973-74	N.D.					

M Data Missing
 * Record incomplete
 E Estimate
 N.D. Not determined
 ** Record not Computed
 + Less than 0.05 Acre Feet or less than 0.05 CFS, but greater than 0

RUNOFF – STREAM GAGING STATION PEAK FLOW

SAWPIT CREEK *below* Sawpit Dam
STATION NO. F278-R

Season	Daily CFS			Total Runoff (Acre-feet)	Peak Inflow	
	Maximum	Minimum	Mean		Date	CFS
1974-75	5.7	0.5	1.3	921.3	Oct 04	9
1975-76	6.1	0.2	0.9	646.0	Sep 11	20
1976-77	5.9	0.2	0.8	603.2	Oct 22	36
1977-78	87.9	0.2	6.5	4,716.9	Mar 04	132
1978-79	9.9	0.0	2.8	1,984.9	Oct 02	55
1979-80	110.0	0.0	4.8	3,485.2	Feb 06	216
1980-81	4.9	0.0	1.4	1,045.7	Mar 19	9
1981-82	38.6	0.4	1.8	1,307.1	Apr 26	72
1982-83	88.5	0.0	6.2	4,486.2	Mar 01	269
1983-84	15.2	0.0	1.8	1,268.8	May 07	63
1984-85	6.6	0.5	1.3	936.0	Dec 19	14
1985-86	10.1	0.0	1.7	1,204.0	Mar 08	13
1986-87	N.D.					
1987-88	4.2	0.4	1.7	1,192.7		
1988-89	9.5	0.2	1.0	740.4		
1989-90	5.5	0.0	0.8	544.9		
1990-91	34.3	0.0	1.5	1,089.1		
1991-92	43.9	0.4	2.6	1,909.7	Feb 11	59
1992-93	76.6	1.1	8.8	6,392.7	Feb 08	93
1993-94	4.1	1.4	2.1	1,555.2	Jun 22	30
1994-95	79.7	1.5	4.9	3,551.6	Mar 05	85
1995-96	32.0	0.1	3.1	2,247.3	Feb 22	35
1996-97	11.0	1.5	2.7	1,952.1	Jan 26	14
1997-98	89.0	1.7	4.2	3,039.1	Feb 24	143
1998-99	3.2	0.7	2.2	1,579.8	Jun 02	50
1999-00*	4.3	0.7	1.7	1,261.9	May 03	6
2000-01	8.1E	0.45E	1.47E	1060E	Feb 13	15
2001-02	1.8	0.1	1.0	694.6	Jan 27	8
2002-03	10.1	0.3	1.4	982.7	Feb 12	28
2003-04	13.0	0.3	1.0	359.8	Feb 26	45
2004-05	184.0	0.1	5.6	4,030.0	Jan 09	260
2005-06	8.68	1.20	2.09	1,510	Jan 02	22

M Data Missing
 * Record incomplete
 E Estimate
 N.D. Not determined
 ** Record not Computed
 + Less than 0.05 Acre Feet or less than 0.05 CFS, but greater than 0

RUNOFF – STREAM GAGING STATION PEAK FLOW

SAWPIT WASH *below* Live Oak Avenue
STATION NO. F194B-R

Season	Daily CFS			Total Runoff (Acre-feet)	Peak Inflow	
	Maximum	Minimum	Mean		Date	CFS
1960-61	50.0	+	*	263*	Jan 26	420
1961-62	573.0	+	16.6	11,980	Feb 11	1,300
1962-63	137.0	+	1.6	1,180	Feb 09	690
1963-64	83.0	+	1.6	1,190	Jan 22	682
1964-65	95.0	+	2.1	1,500	Apr 09	1,290
1965-66	243.0	+	7.3	9,240	Dec 29	1,470
1966-67	298.0	+	22.0	16,020	Dec 03	1,120
1967-68	130.0	+	2.1	1,520	Nov 19	1,870
1968-69	1,270.0	+	53.7	38,870	Jan 25	3,960
1969-70	773.0	0.0	6.7	4,830	Feb 28	2,800
1970-71	196.0	+	5.8	4,190	Nov 29	1,350
1971-72	142.0	0.1	2.0	1,450	Dec 24	519
1972-73	381.0	0.0	16.8	12,130	Feb 27	2,860
1973-74	265.0	0.1	9.0	6,490	Jan 07	652
1974-75	180.0	+	2.8	2,010	Dec 04	2,140
1975-76	101.0	0.1	1.8	1,310	Sep 11	1,790
1976-77	118.0	0.1	3.8	2,732	Oct 23	1,090
1977-78	*	*	*	*	Feb 10	*
1978-79	160.0	0.2	20.3	14,687	Feb 21	1,280
1979-80	886.0	0.2	50.2	35,952	Feb 16	3,940
1980-81	376.0	0.0	23.1	16,742	Jan 29	900
1981-82	257.0	0.1	18.1	13,029	Mar 17	1,560
1982-83	530.0	0.1	56.4	40,867	Mar 01	2,890
1983-84	294.0	0.0	20.4	14,767	Oct 01	1,210
1984-85	122.0	0.0	2.6	1,873	Dec 19	801
1985-86	*	*	*	*		*
1986-87	99.2	0.1	1.2	857.0	Oct 02	1,070
1987-88	385.0	0.0	12.9	9,344	Dec 04	1,630
1988-89	75.8	0.0	1.6	1,167	Dec 16	555
1989-90	147.0	0.0	1.3	909.0	Jan 13	707
1990-91	331.0	0.0	17.3	12,646	Aug 08	375
1991-92	325.0	0.0	36.8	26,730	Feb 11	1,710

M Data Missing
 * Record incomplete
 E Estimate
 N.D. Not determined
 ** Record not Computed
 + Less than 0.05 Acre Feet or less than 0.05 CFS, but greater than 0

RUNOFF – STREAM GAGING STATION PEAK FLOW

SAWPIT WASH *below* Live Oak Avenue
STATION NO. F194B-R

Season	Daily CFS			Total Runoff (Acre-feet)	Peak Inflow	
	Maximum	Minimum	Mean		Date	CFS
1992-93	352.0	0.0	42.4	30,690	Jan 14	4,160
1993-94	72.2	0.0	3.7	2,671	Mar 19	1,160
1994-95	495.0	0.1	29.2	21,160	Jan 10	1,940
1995-96	530.0	0.2	44.1	32,020	Jan 31	3,580
1996-97	393.0	0.1	22.6	16,350	Jan 26	1,130
1997-98	452.0	0.2	32.6	23,570	Feb 06	2,960
1998-99	142.0	0.2	3.5	2,500	Jan 26	543
1999-00	127.0	0.1	4.1	2,960	Apr 17	1,110
2000-01	187.0	0.1	3.4	2,440	Jan 02	2,200
2001-02	121.5	0.0	1.0	709.5	Nov 24	2,087
2002-03	292.6	0.0	6.1	4,381.8	Mar 15	1,730
2003-04	235.8	0.0	2.9	2,118.4	Feb 26	1,810
2004-05	478.0	0.0	44.3	32,000.0	Feb 19	3,930
2005-06	221.0	+	12.50	9,040	Apr 14	2507

M Data Missing
 * Record incomplete
 E Estimate
 N.D. Not determined
 ** Record not Computed
 + Less than 0.05 Acre Feet or less than 0.05 CFS, but greater than 0

RUNOFF – STREAM GAGING STATION PEAK FLOW

THOMPSON CREEK *below* Thomson Creek Dam
 STATION NO. F32B-R

Season	Daily CFS			Total Runoff (Acre-feet)	Peak Inflow	
	Maximum	Minimum	Mean		Date	CFS
1945-46	N.D.					
1946-47	N.D.					
1947-48	N.D.					
1948-49	N.D.					
1949-50	N.D.					
1950-51	N.D.					
1951-52	4.6	0.0	0.0	32.5	Mar 17	5
1952-53	N.D.					
1953-54	N.D.					
1954-55	N.D.					
1955-56	N.D.					
1956-57	N.D.					
1957-58	7.3	0.0	0.3	219.2	Apr 05	9
1958-59	N.D.					
1959-60	N.D.					
1960-61	N.D.					
1961-62	N.D.					
1962-63	N.D.					
1963-64	N.D.					
1964-65	N.D.					
1965-66	N.D.					
1966-67	23.0	0.0	0.4	305.1	Dec 06	130
1967-68	N.D.					
1968-69	N.D.					
1969-70	N.D.					
1970-71	N.D.					
1971-72	N.D.					
1972-73	N.D.					
1973-74	N.D.					
1974-75	N.D.					
1975-76	N.D.					
1976-77	N.D.					
1977-78	136.0	0.0	1.4	1,038.0	Mar 02	170

M Data Missing
 * Record incomplete
 E Estimate
 N.D. Not determined
 ** Record not Computed
 + Less than 0.05 Acre Feet or less than 0.05 CFS, but greater than 0

RUNOFF – STREAM GAGING STATION PEAK FLOW

THOMPSON CREEK *below* Thomson Creek Dam
STATION NO. F32B-R

Season	Daily CFS			Total Runoff (Acre-feet)	Peak Inflow	
	Maximum	Minimum	Mean		Date	CFS
1978-79	3.6	0.0	0.1	46.4	May 04	8
1979-80	219.0	0.0	2.2	1,592.3	Feb 17	333
1980-81	N.D.					
1981-82	4.1	0.0	0.0	17.9	Feb 18	8
1982-83	76.5	0.0	0.8	581.4	Mar 02	83
1983-84	3.3	0.0	0.0	11.3	Dec 28	12
1984-85	N.D.					
1985-86	9.6	0.0	0.1	58.5	Mar 16	17
1986-87	N.D.					
1987-88	0.6	0.0	0.0	2.0	Jan 17	1
1988-89	0.3	0.0	0.0	2.4	Feb 04	1
1989-90	37.4	0.0	0.0	0.0	Apr 04	57
1990-91	2.2	0.0	0.0	33.7	Mar 02	3
1991-92	2.2	0.0	0.1	67.2	Feb 10	6
1992-93	54.7	0.0	1.9	1,323.0	Feb 08	113
1993-94	3.7	0.0	0.0	8.0	Nov 01	7
1994-95	25.8	0.0	0.4	299.0	Mar 06	63
1995-96	32.8	0.0	0.6	456.0	Feb 21	35
1996-97	11.0	0.0	0.1	50.0	Jan 29	55
1997-98	74.0	0.0	0.7	522.0	Feb 23	158
1998-99	0.1	0.0	0.0	14.0	Jul 14	0
1999-00	0.4	0.0	0.0	19.0	Apr 18	1
2000-01	1.1	0.0	0.0	4.3	Jan 16	10
2001-02	1.2	0.0	0.0	24.4	Nov 20	1
2002-03	14.0	0.0	1.0	71.3	Mar 16	18
2003-04	38.0	0.0	0.1	268.1	Mar 16	13
2004-05	84.0	0.0	2.3	1,640.0	Feb 21	140
2005-06	0.08	0.0	0.0	0.28	Feb 28	0

M	Data Missing
*	Record incomplete
E	Estimate
N.D.	Not determined
**	Record not Computed
+	Less than 0.05 Acre Feet or less than 0.05 CFS, but greater than 0

RUNOFF – STREAM GAGING STATION PEAK FLOW

TOPANGA CREEK *above* Mouth of Canyon
 STATION NO. F54C-R

Season	Daily CFS			Total Runoff (Acre-feet)	Peak Inflow	
	Maximum	Minimum	Mean		Date	CFS
1930-31	186.0	+	1.0	705.0	Feb 14	386
1931-32	409.0	+	4.9	3,590	Feb 08	1,250
1932-33	542.0	+	3.1	2,240	Jan 19	1,430
1933-34	1,590.0	0.0	8.9	6,420	Dec 31	4,510
1934-35	130.0	+	1.9	1,360	Jan 05	1,200
1935-36	77.0	+	2.0	1,490	Feb 22	528
1936-37	413.0	+	9.1	6,620	Mar 15	1,130
1937-38	3,270.0	+	21.2	15,310	Mar 02	9,300E
1938-39	NO RECORD					
1939-40	183.0	+	2.9	2,080	Feb 01	1,280
1940-41	1,100.0E	+	26.2	18,940	Feb 20	8,700E
1941-42	47.0	+	0.8	540.0	Dec 28	385
1942-43	1,100.0E	+	12.0	8,720	Jan 22	2,200
1943-44	1,100.0E	0.1	9.6	6,970	Feb 22	5,070
1944-45	176.0	0.1	1.5	1,090	Feb 02	964
1945-46	182.0	+	1.9	1,390	Dec 23	905
1946-47	86.0	+	1.4	994.0	Nov 20	567
1947-48	23.0	0.0	0.2	168.0	Mar 24	276
1948-49	5.0	+	0.1	99.0	Dec 26	63
1949-50	35.0	+	0.5	379.0	Dec 18	275
1950-51	2.4	+	0.1	74.0	Jan 11	21
1951-52	1,990.0	0.0	23.3	16,900	Jan 15	6,050
1952-53	52.0	+	1.0	725.0	Dec 01	702
1953-54	396.0	0.0	2.5	1,820	Feb 13	2,090
1954-55	33.0	+	0.5	354.0	Jan 18	151
1955-56	337.0	+	1.4	1,030	Jan 26	1,540
1956-57	69.0	+	0.5	374.0	Feb 23	655
1957-58	599.0	+	10.4	7,460	Apr 03	3,950
1958-59	141.0	+	1.1	785.0	Jan 06	1,510
1959-60	76.0	+	0.6	422.0	Apr 27	539
1960-61	8.1	+	0.1	58.0	Jan 26	28
1961-62	1,150.0	+	10.7	7,720	Feb 10	2,790
1962-63	66.0	+	0.6	454.0	Feb 09	569

M Data Missing
 * Record incomplete
 E Estimate
 N.D. Not determined
 ** Record not Computed
 + Less than 0.05 Acre Feet or less than 0.05 CFS, but greater than 0

RUNOFF – STREAM GAGING STATION PEAK FLOW

TOPANGA CREEK *above* Mouth of Canyon
 STATION NO. F54C-R

Season	Daily CFS			Total Runoff (Acre-feet)	Peak Inflow	
	Maximum	Minimum	Mean		Date	CFS
1963-64	17.0	+	0.2	178.0	Jan 21	196
1964-65	148.0	+	1.2	886.0	Apr 09	716
1965-66	1,120.0	+	10.0	7,270	Dec 29	3,500
1966-67	569.0	0.1	7.0	5,070	Jan 24	2,280
1967-68	186.0	0.1	2.2	1,570	Mar 08	567
1968-69	4,920.0	0.1	40.6	29,400	Jan 25	12,200
1969-70	84.0	0.0	1.2	902.0	Mar 04	844
1970-71	720.0	+	6.3	4,560	Jan 29	3,020
1971-72	110.0	0.2	1.1	809.0	Dec 27	588
1972-73	1,140.0	0.1	8.6	6,250	Feb 11	3,840
1973-74	1,060.0	0.1	5.7	4,110	Jan 07	2,060
1974-75	286.0	0.1	3.0	2,200	Mar 06	1,670
1975-76	24.0	+	0.3	214.0	Feb 09	72
1976-77	30.0	+	0.6	405.0	Jan 03	219
1977-78	2,676.0	0.1	32.4	23,480	Mar 04	10,127
1978-79	425.0	0.2	7.2*	5,180	Mar 27	2,490
1979-80	3,919.0	0.2	33.2	23,236	Feb 16	20,200
1980-81	89.7	0.1	1.8	1,279	Mar 02	219
1981-82	143.8	0.2	1.5	1,066	Mar 17	650
1982-83	2,274.0	0.2	277.0	19,241	Jan 27	10,200
1983-84	203.0	0.2	2.2	1,445	Dec 25	2,612
1984-85	26.3	0.2	1.3	943.0	Dec 26	56
1985-86	823.0	0.2	10.0	7,211	Feb 14	5,135
1986-87	*	*	*	*		*
1987-88	*	*	*	*		*
1988-89	9.7	0.1	0.4	283.0	Dec 21	32
1989-90	*	*	*	*		*
1990-91	Discont	2/90	Restored	10/97.		
1996-97	80.0	0.5	3.0	2,140	Dec 09	229
1997-98	494.0	0.7	24.4	17,640	Feb 23	2,470
1998-99	19.0	0.5	1.2	839.0	Apr 11	93
1999-00	133.0	0.3	2.8	2,030	Feb 23	1,050
2000-01	257.0	0.5	7.6	5,520	Jan 11	2,820

M Data Missing
 * Record incomplete
 E Estimate
 N.D. Not determined
 ** Record not Computed
 + Less than 0.05 Acre Feet or less than 0.05 CFS, but greater than 0

RUNOFF – STREAM GAGING STATION PEAK FLOW

TOPANGA CREEK *above* Mouth of Canyon
 STATION NO. F54C-R

Season	Daily CFS			Total Runoff (Acre-feet)	Peak Inflow	
	Maximum	Minimum	Mean		Date	CFS
2001-02	35.2	0.0	1.4	1,048.5	Nov 24	195
2002-03	551.7	0.2	5.4	3,918	Feb 12	1,660
2003-04	648.8	0.2	4.4	3,183.5	Feb 26	3,780
2004-05	2,000.0	1.0	54.9	39,700.0	Dec 28	3,980
2005-06	86.10	1.31	4.14	3,000	Jan 02	481

M	Data Missing
*	Record incomplete
E	Estimate
N.D.	Not determined
**	Record not Computed
+	Less than 0.05 Acre Feet or less than 0.05 CFS, but greater than 0

RUNOFF – STREAM GAGING STATION PEAK FLOW

VERDUGO WASH @ Estelle Avenue
STATION NO. F252-R

Season	Daily CFS			Total Runoff (Acre-feet)	Peak Inflow	
	Maximum	Minimum	Mean		Date	CFS
1928-29	15.0	0.0	*	140*	Apr 04	56*
1929-30	14.0	0.0	0.4	274.0	May 03	80
1930-31	8.4	+	0.2	145.0	Apr 26	46
1931-32	39.0	0.1	1.0	713.0	Feb 09	145
1932-33	42.0	0.1	0.4	295.0	Jan 19	391
1933-34	NO RECORD					
1934-35	85.0*	0.0	*	620.0	Jan 05	1,020*
1935-36	33.0	0.0	0.6	463.0	Mar 30	1,100*
1936-37	*	0.0	*	1,560	Dec 27	768
1937-38	1,500.0	0.0	7.5	5,450	Mar 02	4,400E
1938-39	78.0	0.0	2.0	1,420	Jan 05	520
1939-40	60.0	+	2.0	1,430	Jan 08	533
1940-41	357.0	+	10.2	7,370	Feb 19	1,120
1941-42	81.0	0.8	3.0	2,160	Dec 10	440
1942-43	1,020.0	0.3	12.0	8,690	Jan 23	3,570
1943-44	998.0	0.2	7.0	5,040	Feb 22	3,160
1944-45	181.0	0.6	2.8	2,010	Feb 02	1,520
1945-46	135.0	0.3	2.7	1,930	Dec 22	816
1946-47	234.0	0.0	2.7	1,940	Dec 25	1,860
1947-48	41.0	0.0	0.5	382.0	Mar 24	573
1948-49	35.0	0.0	0.6	433.0	Dec 16	202
1949-50	69.0	0.0	0.9	638.0	Feb 06	467
1950-51	41.0	0.0	0.5	383.0	Jan 11	960
1951-52	422.0	0.0	7.8	5,630	Jan 16	2,920
1952-53	100.0	0.0	1.3	968.0	Nov 15	1,520
1953-54	227.0	0.0	2.7	1,920	Feb 13	1,300
1954-55	134.0	0.0	2.0	1,480	Jan 18	784
1955-56	550.0	0.0	2.5	1,840	Jan 26	1,940
1956-57	184.0	0.0	1.9	1,400	Feb 23	2,960
1957-58	236.0	0.0	5.2	3,770	Feb 19	1,700
1958-59	232.0	0.0	2.0	1,440	Feb 16	2,080
1959-60	56.0	0.0	1.2	862.0	Jan 11	533

M	Data Missing
*	Record incomplete
E	Estimate
N.D.	Not determined
**	Record not Computed
+	Less than 0.05 Acre Feet or less than 0.05 CFS, but greater than 0

RUNOFF – STREAM GAGING STATION PEAK FLOW

VERDUGO WASH @ Estelle Avenue
STATION NO. F252-R

Season	Daily CFS			Total Runoff (Acre-feet)	Peak Inflow	
	Maximum	Minimum	Mean		Date	CFS
1960-61	98.0	+	0.9	667.0	Nov 05	676
1961-62	592.0	0.0	6.8	4,830	Feb 12	1,880
1962-63	370.0	+	2.0	1,460	Feb 09	2,180
1963-64	192.0	0.0	2.1	1,510	Jan 21	1,640
1964-65	249.0	+	3.8	2,780	Apr 08	1,480
1965-66	1,030.0	0.1	12.2	8,830	Dec 29	3,480
1966-67	422.0	0.5	10.4	7,530	Jan 22	3,230
1967-68	606.0	0.2	9.3	6,730	Mar 08	3,460
1968-69	1,850.0	1.8	36.1	26,120	Jan 25	5,050
1969-70	261.0	2.0	8.4	6,090	Feb 28	2,500
1970-71	931.0	1.8	10.6	7,690	Nov 29	5,330
1971-72	476.0	1.2	14.8	4,570	Dec 24	1,960
1972-73	897.0	1.0	12.8	9,280	Jan 18	4,010
1973-74	671.0	1.8	10.2	7,380	Jan 07	2,390
1974-75	373.0	0.7	7.7	5,590	Dec 04	3,390
1975-76	180.0	0.5	6.4	4,560	Mar 01	1,190
1976-77	210.0	0.3	6.0	4,318	Jan 03	2,100
1977-78	1,700.0	+	34.2	24,739	Feb 10	9,820
1978-79	*	*	*	*	Mar 27	*
1979-80	440.0	1.2	18.1	13,000	Feb 16	6,420
1980-81	266.0	1.5	12.0	8,706	Jan 29	2,870
1981-82	333.0	1.0	12.5	9,083	Apr 01	1,960
1982-83	1,260.0	2.0	37.0	26,750	Mar 01	6,714
1983-84	NO RECORD					
1984-85	279.0	1.0	9.2	6,686	Dec 19	2,430
1985-86	437.0	1.2	12.1	8,737	Mar 08	1,620
1986-87	158.0	1.5	5.0	3,635		N.D.
1987-88	688.0	2.3	19.3	14,042	Feb 01	4,150
1988-89	301.0	0.3	9.1	6,262	Dec 16	1,700
1989-90	474.0	+	5.7	4,120	Feb 17	1,820
1990-91	544.0	0.2	11.1	8,017		N.D.
1991-92	636.0	0.0	20.1	14,621	Feb 10	4,110

M Data Missing
 * Record incomplete
 E Estimate
 N.D. Not determined
 ** Record not Computed
 + Less than 0.05 Acre Feet or less than 0.05 CFS, but greater than 0

RUNOFF – STREAM GAGING STATION PEAK FLOW

VERDUGO WASH @ Estelle Avenue
STATION NO. F252-R

Season	Daily CFS			Total Runoff (Acre-feet)	Peak Inflow	
	Maximum	Minimum	Mean		Date	CFS
1992-93	733.0	1.7	32.5	23,520	Jun 05	4,320
1993-94	265.0	0.0	10.4	7,543	Nov 30	2,220
1994-95	1,710.0	1.0	46.5	33,700	Jan 10	4,460
1995-96	1,260.0	0.8	18.6	13,520	Feb 21	3,460
1996-97	1,140.0	1.9	23.3	16,860	Dec 22	3,010
1997-98	966.0	3.9	22.3	16,150	Feb 07	5,550
1998-99	117.0	3.6	10.0	7,250	Nov 28	1,390
1999-00	289.0	2.9	11.7	8,470	Feb 16	2,700
2000-01	258.0	3.1	10.9	7,870	Jan 10	1,040
2001-02	264.6	0.3	10.5	7,544.5	Nov 24	4,328
2002-03	524.3	0.1	11.5	8,340.7	Mar 15	2,960
2003-04	0.0	0.0	7.4	0.0	Feb 26	2,840
2004-05	1,350.0	5.4	51.2	37,100.0	Feb 21	4,940
2005-06	547.0	8.06	19.50	14,140	Jan 02	3902

M Data Missing
 * Record incomplete
 E Estimate
 N.D. Not determined
 ** Record not Computed
 + Less than 0.05 Acre Feet or less than 0.05 CFS, but greater than 0

RUNOFF – STREAM GAGING STATION PEAK FLOW

WALNUT CREEK *above* Puente Avenue
STATION NO. F304-R

Season	Daily CFS			Total Runoff (Acre-feet)	Peak Inflow	
	Maximum	Minimum	Mean		Date	CFS
1952-53	47.0	0.0	0.4	292.0	Dec 01	713
1953-54	297.0	0.0	34.9	25,290	Feb 13	1,500
1954-55	337.0	0.0	29.9	21,640	Jan 18	732
1955-56	1,120.0	0.0	68.5	49,730	Jan 26	3,450
1956-57	361.0	0.0	71.2	51,530	Feb 28	2,200
1957-58	494.0	0.0	11.7	8,490	Apr 07	2,510
1958-59	279.0	0.0	2.2	1,610	Jan 06	2,480
1959-60	163.0	0.0	1.8	1,300	Jan 12	1,160
1960-61	272.0	0.0	12.4	9,010	Jan 26	411
1961-62	431.0	*	*	4,800	Feb 11	2,090
1962-63	267.0	+	4.6	3,360	Mar 16	1,410
1963-64	232.0	+	3.9	2,860	Jan 22	1,280
1964-65	435.0	0.2	16.1	11,640	Apr 09	3,250
1965-66	646.0	0.2	11.0	7,920	Dec 29	2,060
1966-67	685.0	0.1	20.8	15,060	Jan 24	3,360
1967-68	647.0	+	23.3	16,880	Mar 08	3,390
1968-69	1,830.0	+	68.4	49,490	Feb 25	4,960
1969-70	278.0	+	4.5	3,250	Mar 01	2,210
1970-71	384.0	0.0	9.4	6,810	Dec 21	1,630
1971-72	546.0	0.0	4.1	3,070	Dec 24	2,650
1972-73	591.0	0.0	9.5	6,920	Jan 16	2,730
1973-74	749.0	0.1	9.2	6,670	Jan 07	2,020
1974-75	551.0	+	7.1	5,170	Dec 04	4,200
1975-76	255.0	+	3.9	2,800	Sep 10	1,200
1976-77	295.0	0.0	5.4	3,939	May 09	1,920
1977-78	1,970.0	0.0	65.0	47,085	Mar 04	7,820
1978-79	714.0	0.0	17.4	12,619	Mar 27	3,020
1979-80	2,490.0	0.0	54.5	38,432	Feb 16	6,280
1980-81	468.0	0.0	4.7	3,406	Mar 01	1,840
1981-82	724.0	0.0	11.1	8,030	Mar 14	2,800
1982-83	1,570.0	0.0	45.2	32,750	Feb 27	5,850
1983-84	424.0	0.0	5.7	4,138	Oct 01	2,340
1984-85	276.0	0.0	8.2	5,917	Nov 13	2,230

M Data Missing
 * Record incomplete
 E Estimate
 N.D. Not determined
 ** Record not Computed
 + Less than 0.05 Acre Feet or less than 0.05 CFS, but greater than 0

RUNOFF – STREAM GAGING STATION PEAK FLOW

WALNUT CREEK *above* Puente Avenue
STATION NO. F304-R

Season	Daily CFS			Total Runoff (Acre-feet)	Peak Inflow	
	Maximum	Minimum	Mean		Date	CFS
1985-86	532.0	0.0	13.2	9,537	Mar 08	3,580
1986-87	693.0	0.0	5.4	3,976	Oct 02	2,653
1987-88	454.0	0.0	7.3	5,355	Oct 22	3,288
1988-89	157.0	0.0	2.3	1,626	Mar 25	869
1989-90	43.7	0.0	2.9	2,066	May 28	2,006
1990-91	724.0	+	11.1	7,924	Mar 26	3,386
1991-92	1,090.0	0.0	28.1	20,383	Feb 12	6,400
1992-93	1,470.0	0.0	68.9	49,850	Jan 07	5,700
1993-94	249.0	0.0	6.6	4,807	Apr 26	2,690
1994-95	900.0	0.0	24.8	17,970	Jan 10	5,040
1995-96	1,200.0	0.0	17.0	12,338	Jan 31	5,400
1996-97	453.0	+	12.9	9,360	Jan 26	2,810
1997-98	1,310.0	+	39.0	28,250	Feb 07	5,670
1998-99	159.0	0.0	6.3	4,590	Nov 28	1,400
1999-00	381.0	0.0	11.0	8,010	Feb 23	3,130
2000-01	620.0	0.0	12.1	8,760	Jan 11	2,430
2001-02	320.4	0.0	2.8	2,001.4	Nov 24	5,196
2002-03	810.3	0.1	15.0	10,840.6	Mar 15	3,990
2003-04	568.3	0.2	8.3	6,006.7	Feb 25	2,350
2004-05	1,370.0	0.2	58.9	42,600.0	Oct 20	4,720
2005-06	391.0	1.06	19.40	14,050	Jan 02	2867

M Data Missing
 * Record incomplete
 E Estimate
 N.D. Not determined
 ** Record not Computed
 + Less than 0.05 Acre Feet or less than 0.05 CFS, but greater than 0

RUNOFF – STREAM GAGING STATION PEAK FLOW

WALNUT CREEK *below* Puddingstone Dam
STATION NO. F40-R

Season	Daily CFS			Total Runoff (Acre-feet)	Peak Inflow	
	Maximum	Minimum	Mean		Date	CFS
1932-33	1.3	0.0	0.1	16.7	Jan 29	33
1933-34	3.2	0.0	0.3	40.0	Sep 17	+
1934-35	1.2	0.0	0.1	44.1	Oct 17	4
1935-36	0.5	0.0	0.1	35.6	Feb 12	13
1936-37	6.1	0.0	0.4	197.4	Feb 06	18
1937-38	99.0	0.1	6.6	4,820.4	Mar 07	104
1938-39	23.0	0.1	1.8	1,337.1	Oct 30	25
1939-40	1.0	0.1	0.2	144.6	Jan 07	7
1940-41	15.7	0.1	2.5	1,790.1	Feb 19	25
1941-42	44.0	0.1	2.3	1,640.5	Dec 03	91
1942-43	141.0	0.1	4.2	3,062.5	Mar 04	287
1943-44	51.0	0.1	1.5	1,120.1	Mar 02	51
1944-45	6.2	0.1	0.6	392.9	Feb 02	10
1945-46	30.0	0.1	3.9	2,833.7	Aug 31	37
1946-47	3.6	0.1	0.2	128.5	Nov 12	6
1947-48	0.7	0.0	0.1	32.1	Jul 13	7
1948-49	0.9	0.0	0.1	21.0	Jul 22	3
1949-50	1.5	0.0	0.0	28.4	Dec 18	4
1950-51	0.2	0.0	0.0	11.3	Dec 14	3
1951-52	2.9	0.0	0.1	108.1	Jan 16	12
1952-53	3.3	0.0	0.2	135.6	Apr 20	4
1953-54	362.0	0.0	42.2	30,644.6	Sep 23	392
1954-55	366.0	0.0	32.4	23,298.9	Dec 12	404
1955-56	396.0	0.1	70.1	50,797.5	Sep 30	389
1956-57	381.0	0.1	74.2	53,783.0	Apr 26	414
1957-58	5.4	0.0	0.4	314.4	Apr 07	16
1958-59	2.7	0.0	0.1	59.6	Jan 06	11
1959-60	0.5	0.0	0.1	41.5	Jan 12	3
1960-61	291.0	0.0	13.0	9,455.8	Nov 16	294
1961-62	1.5	0.0	0.1	48.9		
1962-63	21.0	0.0	0.7	481.9	Nov 28	21
1963-64	0.2	0.0	0.0	20.1	Feb 19	8
1964-65	309.3	0.0	10.4	7,431.4	Mar 20	310

M Data Missing
 * Record incomplete
 E Estimate
 N.D. Not determined
 ** Record not Computed
 + Less than 0.05 Acre Feet or less than 0.05 CFS, but greater than 0

RUNOFF – STREAM GAGING STATION PEAK FLOW

WALNUT CREEK *below* Puddingstone Dam
STATION NO. F40-R

Season	Daily CFS			Total Runoff (Acre-feet)	Peak Inflow	
	Maximum	Minimum	Mean		Date	CFS
1965-66	110.0	0.0	4.2	3,119.8	Dec 13	112
1966-67	157.0	0.0	13.9	10,035.8	May 05	159
1967-68	N.D.					
1968-69	N.D.					
1969-70	N.D.					
1970-71	N.D.					
1971-72	N.D.					
1972-73	N.D.					
1973-74	N.D.					
1974-75	94.0	0.0	0.0	0.0	Apr 11	450
1975-76	2.0	0.0	0.0	64.9	May 24	20
1976-77	15.2	0.0	0.3	214.2	May 18	31
1977-78	1,080.0	0.0	34.4	24,888.4	Mar 06	1,115
1978-79	37.8	0.2	5.7	4,121.3	Mar 09	80
1979-80	1,070.0	0.2	28.1	20,376.2	Feb 18	1,070
1980-81	31.7	0.1	0.7	515.1	Mar 01	34
1981-82	474.0	0.1	3.6	2,591.2	Mar 18	573
1982-83	550.0	0.1	21.0	15,239.2	Mar 01	622
1983-84	64.0	0.1	2.8	2,049.1	Feb 04	255
1984-85	205.0	0.1	1.2	873.7	Jan 13	216
1985-86	219.0	0.1	4.4	3,150.5	Mar 16	298
1986-87	151.0	0.0	2.6	1,112.9	Jan 14	159
1987-88	107.0	0.1	2.8	2,049.3		107
1988-89	44.0	0.1	2.5	1,842.0	Feb 10	48
1989-90	83.8	0.1	1.3	890.8	Feb 21	161
1990-91	361.0	0.1	3.8	2,774.5	Mar 27	700
1991-92	492.0	0.1	5.3	3,829.3	Feb 12	580
1992-93	608.0	0.1	39.0	28,252.2	Feb 19	863
1993-94	41.9	0.1	1.6	1,136.5	Dec 16	43
1994-95	779.0	0.1	13.7	9,925.9	Mar 06	834
1995-96	290.0	0.2	4.5	3,255.1	Feb 20	652
1996-97	105.0	0.3	5.5	3,957.1	Dec 30	114
1997-98	312.0	0.3	18.9	13,657.4	May 28	818

M Data Missing
 * Record incomplete
 E Estimate
 N.D. Not determined
 ** Record not Computed
 + Less than 0.05 Acre Feet or less than 0.05 CFS, but greater than 0

RUNOFF – STREAM GAGING STATION PEAK FLOW

WALNUT CREEK *below* Puddingstone Dam
 STATION NO. F40-R

Season	Daily CFS			Total Runoff (Acre-feet)	Peak Inflow	
	Maximum	Minimum	Mean		Date	CFS
1998-99	36.0	0.2	1.3	963.9	Oct 01	126
1999-00	131.0	0.3	2.5	1,808.5	Feb 22	230
2000-01	202.0	0.2	4.0	2,930.0	Mar 03	569
2001-02	20.1	0.4	0.9	645.5	Jan 04	22
2002-03	275.2	0.3	4.9	3,562.8	Mar 16	292
2003-04	56.9	0.6	2.1	1,549.5	Dec 01	83
2004-05	792.0	0.0	24.8	17,900.0	Jan 11	1,010
2005-06	109.0	0.44	3.85	2,790	Apr 06	112

M	Data Missing
*	Record incomplete
E	Estimate
N.D.	Not determined
**	Record not Computed
+	Less than 0.05 Acre Feet or less than 0.05 CFS, but greater than 0

APPENDIX E

HYDROLOGIC REPORT 2005 – 2006

RESERVOIRS – YEARLY RESERVOIR OPERATION SUMMARY

RESERVOIRS – YEARLY RESERVOIR OPERATION SUMMARY

Big Dalton Dam

Season	Inflow Annual (AF)	Inflow		Outflow Annual (AF)	Peak Inflow	
		Max-Day (CFS)	Min-Day (CFS)		Date	Q (CFS)
1929-30	52	3	0	52		N.D.
1930-31	41	2	0	41	Apr 26	3
1931-32	690	54	0	688	Feb 09	86
1932-33	79	5	0	81	Jan 20	12
1933-34	448	93	0	448	Jan 01	227
1934-35	593	21	0	575	Apr 08	49
1935-36	360	12	0	370	Feb 11	72
1936-37	1879	51	0	1868	Feb 06	98
1937-38	3271	415	0	3192	Mar 02	1320
1938-39	280	4	0	288	Jan 05	26
1939-40	232	4	0	236	Jan 08	29
1940-41	2767	56	+	2748	Mar 04	88
1941-42	209	2	0	233	Mar 14	6
1942-43	3143	160	0	3110	Jan 23	595
1943-44	1087	109	+	1085	Feb 22	226
1944-45	734	19	0	729	Nov 11	47
1945-46	525	40	0	509	Dec 23	148
1946-47	492	16	0	512	Nov 20	56
1947-48	58	1	0	8	Apr 28	9.7
1948-49	94	1	0	113	Dec 17	3.3
1949-50	142	2	0	130	Feb 06	3.5
1950-51	27	2	+	14	Jan 11	4.8
1951-52	1626	73	0	1577	Jan 16	154
1952-53	120	1	+	68	Dec 01	4.8
1953-54	346	13	0	359	Jan 25	53
1954-55	87	1	+	5	Jan 18	2.4
1955-56	190	14	+	213	Jan 26	56
1956-57	76	1	+	27	Jan 13	1.8
1957-58	2104	97	0	2052	Apr 03	169
1958-59	160	6	+	133	Feb 16	26
1959-60	54	1	+	11	Apr 27	4.8
1960-61	187	18	0	1510	Nov 05	462
1961-62	1222	63	0	933	Dec 02	1130
1962-63	248	20	0	159	Feb 09	92
1963-64	165	3	0	300	Mar 22	30
1964-65	380	18	0	15	Apr 09	73

N.D. Not determined

R.I. Records incomplete

+ Less than 0.05 Acre Feet or less than 0.05 CFS, but greater than 0

RESERVOIRS – YEARLY RESERVOIR OPERATION SUMMARY

Big Dalton Dam

Season	Inflow Annual (AF)	Inflow		Outflow Annual (AF)	Peak Inflow	
		Max-Day (CFS)	Min-Day (CFS)		Date	Q (CFS)
1965-66	2210	113	0	2013	Nov 22	489
1966-67	4787	292	0	4790	Dec 06	685
1967-68	771	15	0	681	Nov 19	56
1968-69	13251	1210	0	12995	Jan 25	1540
1969-70	728	15	0	610	Feb 28	91
1970-71	856	22	0	1100	Dec 21	38
1971-72	217	10	+		Dec 27	11
1972-73	1386	100	+	1046	Feb 11	163
1973-74	860	43	0	1030	Jan 07	68
1974-75	379	4	0	211	Mar 06	7.8
1975-76	237	6	0	467	Mar 01	17
1976-77	171	3	0	20	Jan 03	14
1977-78	6182	232	0	6234	Mar 04	500
1978-79	R.I.					N.D.
1979-80	R.I.					N.D.
1980-81	349	5	0	364	Jan 29	29
1981-82	1018	50	0	923	Mar 17	53
1982-83	5562	240	0	5532	Mar 01	350
1983-84	703	8	0	704	Dec 25	16
1984-85	611	10	0	585	Dec 19	16
1985-86	886	20	0	865	Mar 16	26.3
1986-87	203	N.D.	0	196	Jan 04	N.D.
1987-88	342	7	0	324	Jan 17	17
1988-89	382	13	0	340	Feb 04	31
1989-90	112	3	0	90	Feb 17	8
1990-91	470	26	0	453	Mar 27	62
1991-92	1259	37	0	1243	Feb 12	121
1992-93	7102	322	0	7146	Jan 18	385
1993-94	369	3	0	300	Feb 07	4
1994-95	3839	73	0	3820	Jan 10	127
1995-96	1247	54	0	1215	Feb 20	96
1996-97	1127	7.6	0	1108		N.D.
1997-98	4703	213	0	4642	Feb 23	344
1998-99						N.D.
1999-00	208	17	0	218	Mar 09	N.D.
2000-01	271	4.7	0	256	Feb 13	38.0

N.D. Not determined

R.I. Records incomplete

+ Less than 0.05 Acre Feet or less than 0.05 CFS, but greater than 0

RESERVOIRS – YEARLY RESERVOIR OPERATION SUMMARY
--

Big Dalton Dam

Season	Inflow Annual (AF)	Inflow		Outflow Annual (AF)	Peak Inflow	
		Max-Day (CFS)	Min-Day (CFS)		Date	Q (CFS)
2001-02	28.5	0.4	0	0	Jan 27	1.1
2002-03	1021	74	0	637	Mar 18	145.4
2003-04	N.D.	N.D.	N.D.	N.D.		N.D.
2004-05	7780	494	0	7350	Jan 09	935
2005-06	1670	60.2	0	1380	Apr 05	91.6

N.D. Not determined

R.I. Records incomplete

+ Less than 0.05 Acre Feet or less than 0.05 CFS, but greater than 0

RESERVOIRS – YEARLY RESERVOIR OPERATION SUMMARY

Big Tujunga Dam

Season	Inflow Annual (AF)	Inflow		Outflow Annual (AF)	Peak Inflow	
		Max-Day (CFS)	Min-Day (CFS)		Date	Q (CFS)
1932-33	4342	218	0	4518		N.D.
1933-34	4441	994	0	4234	Jan 01	2430
1934-35	11992	380	0	10698	Apr 08	718
1935-36	3875	130	0	5508	Feb 12	312
1936-37	26969	803	0.6	25729	Feb 06	1740
1937-38	64855	12030	1	65022	Mar 02	32940
1938-39	9905	327	1.2	9106	Dec 19	666
1939-40	7058	337	0.4	7197	Jan 08	2300
1940-41	59402	1200	0.9	59086	Mar 04	1570
1941-42	7120	70	0.8	7724	Dec 10	134
1942-43	52877	5700	1.1	52919	Jan 23	17850
1943-44	42270	2780	5	41722	Feb 22	4770
1944-45	13206	475	1.2	12231	Nov 11	1850
1945-46	11543	1150	0.8	12383	Mar 30	2310
1946-47	12987	674	0.9	12827	Nov 13	1690
1947-48	2679	44	0.7	3579	Apr 29	85
1948-49	2129	16	0.1	1645	Mar 11	18
1949-50	2029	32	0.2	1905	Feb 06	43
1950-51	841	7.7	0.1	1235	Apr 29	17
1951-52	27288	896	0.3	26125	Jan 18	2030
1952-53	3496	35	0.1	4873	Nov 15	108
1953-54	5389	212	0.1	5290	Jan 25	500
1954-55	2623	30	0.2	2282	Jan 18	52
1955-56	3026	233	0.4	3433	Jan 26	582
1956-57	1967	107	0.1	1660	Jan 13	283
1957-58	27558	1220	0.1	27563	Apr 03	2860
1958-59	3405	172	0.1	3152	Jan 06	213
1959-60	1183	12	0.3	1653	Jan 12	24
1960-61	838	14	0.4	718	Nov 06	35
1961-62	16711	2540	0.4	16776	Feb 11	5050
1962-63	1715	90	0.2	1359	Feb 10	237
1963-64	1526	40	0	2039	Jan 22	90
1964-65	2429	60	0.4	1503	Apr 09	165
1965-66	30772	2810	0.6	29779	Dec 29	10800
1966-67	30158	1180	1.6	30338	Dec 06	2600
1967-68	10584	352	1	11446	Nov 21	725

N.D. Not determined

R.I. Records incomplete

+ Less than 0.05 Acre Feet or less than 0.05 CFS, but greater than 0

RESERVOIRS – YEARLY RESERVOIR OPERATION SUMMARY

Big Tujunga Dam

Season	Inflow Annual (AF)	Inflow		Outflow Annual (AF)	Peak Inflow	
		Max-Day (CFS)	Min-Day (CFS)		Date	Q (CFS)
1968-69	107609	7800	0	106462	Feb 25	17800
1969-70	11643	372	1.5	11624	Mar 01	613
1970-71	12394	1100	2.1	11412	Nov 29	3970
1971-72	4118	194	0.5	3374	Dec 24	462
1972-73	15375	1914	0.5	14680	Feb 11	6320
1973-74	8663	256	0.9	5582	Jan 07	561
1974-75	5442	198	0.3	8666	Mar 06	315
1975-76	4482	408	0.1	3863	Feb 09	1400
1976-77	3928	164	1.2	3547	Jan 03	878
1977-78	R.I.					N.D.
1978-79	R.I.					N.D.
1979-80	R.I.					N.D.
1980-81	10927	226	3.0	11470	Jan 29	496
1981-82	16578	569	3.8	16557	Mar 17	1499
1982-83	95294	7065	3.8	93880	Mar 01	10007
1983-84	10861	337	0.0	11314	Dec 25	808
1984-85	7362	200	0.7	6952	Dec 19	361
1985-86	12370	529	0.4	11757	Jan 30	969
1986-87	2943	28	0.0	2843	Jan 04	53
1987-88	7121	190	0.0	6902	Feb 01	685
1988-89	4300	91	0.0	4208	Feb 10	131
1989-90	929	41	0.0	741	Feb 17	62
1990-91	8074	530	0.0	7992	Mar 01	1871
1991-92	31767	1249	0.1	31414	Feb 12	5167
1992-93	89492	3490	0.2	89311	Feb 19	7774
1993-94	8635	80	0.0	9241	Feb 08	170
1994-95	34562	1005	0.2	34532	Jan 10	3608
1995-96	8491	477	1.1	7970	Feb 21	530
1996-97	9025	156	0.3	8080		N.D.
1997-98	48676	3370	0.4	48281	Feb 23	8288
1998-99						N.D.
1999-00	5740	739	0	5923	Feb 22	N.D.
2000-01	8102	343	0	8032	Feb 13	399.4
2001-02	1307.6	15.2	0	906.2		N.D.
2002-03	7090	660	0	7031	Mar 16	418.3
2003-04	2310	335	0	2120	Feb 26	932

N.D. Not determined

R.I. Records incomplete

+ Less than 0.05 Acre Feet or less than 0.05 CFS, but greater than 0

RESERVOIRS – YEARLY RESERVOIR OPERATION SUMMARY

Big Tujunga Dam

Season	Inflow Annual (AF)	Inflow		Outflow Annual (AF)	Peak Inflow	
		Max-Day (CFS)	Min-Day (CFS)		Date	Q (CFS)
2004-05	132800	4910	+	132000	Jan 09	7960
2005-06	13910	467	0	13790	Jan 02	1043.3

N.D. Not determined
 R.I. Records incomplete
 + Less than 0.05 Acre Feet or less than 0.05 CFS, but greater than 0

RESERVOIRS – YEARLY RESERVOIR OPERATION SUMMARY

Cogswell Dam

Season	Inflow Annual (AF)	Inflow		Outflow Annual (AF)	Peak Inflow	
		Max-Day (CFS)	Min-Day (CFS)		Date	Q (CFS)
1934-35	3517	54	0.1	3517		N.D.
1935-36	7154	265	0	7138		N.D.
1936-37	32986	943	0.1	32996	Feb 14	1240
1937-38	60336	7990	1.4	58799	Mar 02	24710
1938-39	11560	673	0.9	11369	Sep 25	1360
1939-40	9634	309	0.8	9569	Jan 08	2020
1940-41	61270	1400	0.5	59951	Feb 20	1640
1941-42	6080	108	0.3	7331	Dec 10	294
1942-43	54700	2320	0.7	53703	Jan 23	15000
1943-44	38150	2,860	1.4	37460	Feb 22	4650
1944-45	11887	424	1.4	10385	Nov 11	1600
1945-46	14711	1260	0.8	16377	Mar 30	2790
1946-47	20135	1030	0.1	20135	Dec 25	2290
1947-48	3103	86	0.3	3032	Apr 29	262
1948-49	2911	32	0.3	2765	Jan 20	65
1949-50	3778	99	0.4	3536	Dec 18	239
1950-51	887	9.6	0.3	568	Apr 29	24
1951-52	33783	1260	0.3	25439	Jan 16	2640
1952-53	4410	70	0.8	12345	Dec 01	254
1953-54	8004	412	0.3	7500	Jan 24	1030
1954-55	3941	51	0.3	3165	Apr 30	176
1955-56	4070	419	0.1	3564	Jan 26	1040
1956-57	3421	225	0.2	3757	Jan 13	685
1957-58	36476	1460	0.0	34530	Apr 03	3710
1958-59	4904	340	0.4	6205	Jan 06	1760
1959-60	1935	27	0.5	2006	Jan 10	65
1960-61	1106	36	0.4	572	Jan 26	116
1961-62	25497	3480	0.3	23255	Feb 11	7010
1962-63	3220	153	0.6	4783	Feb 09	1017
1963-64	2587	89	0.4	2647	Apr 01	276
1964-65	5037	266	0.3	4159	Apr 09	479
1965-66	41747	2640	0.3	42170	Dec 29	9220
1966-67	40504	1860	0.6	32757	Dec 06	4650
1967-68	9569	338	0.6	12713	Nov 19	893
1968-69	95676	6380	0.1	90488	Jan 25	15700
1969-70	10222	410	1.0	13859	Feb 28	1020

N.D. Not determined

R.I. Records incomplete

+ Less than 0.05 Acre Feet or less than 0.05 CFS, but greater than 0

RESERVOIRS – YEARLY RESERVOIR OPERATION SUMMARY

Cogswell Dam

Season	Inflow Annual (AF)	Inflow		Outflow Annual (AF)	Peak Inflow	
		Max-Day (CFS)	Min-Day (CFS)		Date	Q (CFS)
1970-71	10822	1030	0.8	11683	Nov 29	2930
1971-72	4009	297	0.4	4557	Dec 24	798
1972-73	19613	2210	0.4	16632	Feb 11	6970
1973-74	12746	424	1.1	12051	Jan 07	880
1974-75	6610	241	1.1	8344	Mar 06	432
1975-76	5550	509	0.1	5040	Feb 09	824
1976-77	4955	206	0.3	5000	Jan 03	421
1977-78	86754	3852	0.0	86030	Feb 10	11200
1978-79	23057	519	1.9	24083	Jan 05	N.D.
1979-80	59867	3028	1.8	57887	Feb 16	6196
1980-81	5299	127	0	7752	Jan 29	511
1981-82	14258	605	0.4	9059	Mar 17	1238
1982-83	77775	3966	1.4	78446	Mar 02	5898
1983-84	9561	272	2.8	12495	Dec 25	790
1984-85	7167	284	0.0	6383	Dec 19	531
1985-86	15584	560	0.6	15314	Feb 15	916
1986-87	2194	35	0.1	2669	Jan 04	63
1987-88	11621	282	0.0	10919	Mar 01	528
1988-89	4953	99	0.0	5105	Feb 04	175
1989-90	1903	61	0.0	1775	Feb 18	99
1990-91	10229	605	0.0	10921	Mar 01	1063
1991-92	39922	2352	0.2	39922	Feb 11	5231
1992-93	83608	2330	0.0	78936	Feb 19	4135
1993-94	6896	105	0.2	11142	Feb 08	162
1994-95	41056	1002	0.1	41072	Jan 10	2479
1995-96	8780	496	0.1	8777	Feb 20	1056
1996-97	9428	192	0.2	8089		N.D.
1997-98	47709	3476	0.5	41403	Feb 23	7343
1998-99						N.D.
1999-00	5066	258	0.0	5083	Feb 21	365.1
2000-01	10268	210	0.0	10412	Feb 13	761.6
2001-02	1870.6	29.9	0	3747.4		N.D.
2002-03	9561	856	0	7725	Feb 13	1385.3
2003-04	N.D.	N.D.	N.D.	N.D.		N.D.
2004-05	101900	4790	0.44	96850	Jan 09	6590
2005-06	13310	297	2.16	15140	Jan 03	477.8

N.D. Not determined

R.I. Records incomplete

+ Less than 0.05 Acre Feet or less than 0.05 CFS, but greater than 0

RESERVOIRS - YEARLY RESERVOIR OPERATION SUMMARY
--

Devil's Gate Dam

Season	Inflow Annual (AF)	Daily Mean Inflow		Outflow Annual (AF)	Peak Inflow	
		Max-Day (CFS)	Min-Day (CFS)		Date	Q (CFS)
1933-34	2,938	757	0	0	Jan 01	3,310
1934-35	3,843	N.D.	0	N.D.	Oct 17	1,310
1935-36	3,457	N.D.	0	86	Feb 02	939
1936-37	12,030	340	0	2,818	Feb 06	852
1937-38	25,436	3,720	0	17,496	Mar 02	10,840
1938-39	3,044	200	0	634	Dec 19	201
1939-40	1,350	142	0	745	Jan 08	859
1940-41	27,013	1,380	0	24,582	Feb 20	3,870
1941-42	689	91	0	443	Dec 10	479
1942-43	25,655	2,560	0	23,552	Jan 23	7,740
1943-44	8,680	1,450	0	7,905	Feb 22	2,310
1944-45	2,341	288	0	2,031	Nov 11	949
1945-46	2,994	435	0	1,343	Dec 22	1,040
1946-47	4,045	285	0	3,949	Dec 25	1,280
1947-48	260	32	0	57	Mar 24	444
1948-49	185	14	0	37	Mar 10	59
1949-50	318	37	0	81	Feb 06	237
1950-51	171	18	0	17	Jan 11	468
1951-52	11,508	792	0	11,377	Jan 16	2,650
1952-53	563	51	0	194	Nov 15	823
1953-54	1,324	178	0	488	Jan 25	565
1954-55	651	50	0	154	Jan 18	334
1955-56	2,229	591	0	1,339	Jan 26	1,420
1956-57	926	111	0	142	Feb 23	795
1957-58	9,642	447	0	6,508	Apr 03	1,020
1958-59	1,055	160	0	465	Jan 06	1,280
1959-60	1,052	40	0	131	Jan 11	329
1960-61	1,035	131	0	488	Nov 06	1,260
1961-62	7,014	970	0	5,260	Feb 11	1,840
1962-63	1,215	289	0	251	Feb 09	1,290
1963-64	860	81	0	170	Jan 21	727
1964-65	1,721	170	0	246	Apr 09	755
1965-66	15,667	1,340	0	13,199	Nov 22	3,740
1966-67	16,391	934	0	6,057	Dec 06	2,130
1967-68	6,858	698	0	2,233	Nov 19	1,310
1968-69	44,817	4,220	0	39,164	Jan 25	7,910
1969-70	2,109	202	0	1,311	Mar 04	534

N.D. Not determined

R.I. Records incomplete

+ Less than 0.05 acre feet or less than 0.05 cfs, but greater than 0

RESERVOIRS - YEARLY RESERVOIR OPERATION SUMMARY
--

Devil's Gate Dam

Season	Inflow Annual (AF)	Daily Mean Inflow		Outflow Annual (AF)	Peak Inflow	
		Max-Day (CFS)	Min-Day (CFS)		Date	Q (CFS)
1970-71	3,098	682	0	1,894	Nov 29	1,760
1971-72	798	152	0	+	Dec 24	433
1972-73	8,298	1,517	0	5,615	Feb 11	3,520
1973-74	4,032	589	0	2,749	Jan 07	1,100
1974-75	2,024	237	0	711	Mar 06	451
1975-76	2,172	281	0	1,204	Sep 10	869
1976-77	1,682	177	0	1,593	Jan 03	587
1977-78	R.I.				Mar 04	6,941
1978-79	R.I.				Mar 28	269
1979-80	R.I.				Feb 16	2793*
1980-81	1,857	84	0	2,337	Jan 29	802
1981-82	6,574	199	0	6,569	Mar 17	272
1982-83	26,491	2,571	0	26,338	Mar 02	3,419
1983-84	937	100	0	1,074	Oct 01	105
1984-85	1,320	129	0	1,320	Dec 19	480
1985-86	2,877	166	0	2,877	Feb 15	282
1986-87	N.D.	N.D.		N.D.	Jan 04	202
1987-88	2,346	96	0	2,346	Oct 31	226
1988-89	113	18	0	113	Dec 16	54
1989-90	142	12	0	142	Feb 17	88
1990-91	4,997	523	0	4,997	Mar 01	924
1991-92	19,885	1,310	0	19,885	Feb 12	3,107
1992-93	60,794	1,134	0	60,793	Jan 17	2,213
1993-94	1,456	21	0	1,456	Feb 17	25
1994-95	21,173	1,030	0	21,173	Jan 10	2,493
1995-96	3,119	414	0	3,120	Feb 21	584
1996-97	R.I.					N.D.
1997-98	R.I.					N.D.
1998-99						N.D.
1999-00	15,780	471	0	15,780	Mar 05	818
2000-01	12,260	493	0	12,290	Feb 13	628
2001-02	1,730	66	0	1,680	Nov 24	395
2002-03	3,140	272	0	1,980	Feb 12	770
2003-04	2,070	245	0	1,600	Feb 26	1,250
2004-05	134,400	8,370	0	134,200	Jan 09	9,870
2005-06	6,570	407	0	6,150	Jan 02	1,640

N.D. Not determined

R.I. Records incomplete

+ Less than 0.05 acre feet or less than 0.05 cfs, but greater than 0

RESERVOIRS – YEARLY RESERVOIR OPERATION SUMMARY

Eaton Wash Dam

Season	Inflow Annual (AF)	Inflow		Outflow Annual (AF)	Peak Inflow	
		Max-Day (CFS)	Min-Day (CFS)		Date	Q (CFS)
1936-37	3062	112	0	1502		N.D.
1937-38	6993	883	0	5213	Mar 02	2670
1938-39	340	51	0	84	Dec 18	169
1939-40	390	31	0	96	Jan 08	220
1940-41	7323	188	0	6089	Feb 20	426
1941-42	78	11	0	0	Dec 10	73
1942-43	7212	498	0	6399	Jan 23	1700
1943-44	2901	265	0	1970	Feb 22	371
1944-45	331	52	0	101	Nov 11	204
1945-46	514	77	0	265	Dec 23	284
1946-47	746	74	0	507	Nov 13	286
1947-48	64	11	0	5	Apr 28	90
1948-49	36	4.7	0	1.2	Jan 20	10
1949-50	188	23	0	61	Dec 18	88
1950-51	44	3.8	0	7.5	Jan 11	80
1951-52	2636	151	0	2020	Jan 16	495
1952-53	145	18	0	0	Dec 01	225
1953-54	533	56	0	202	Jan 19	220
1954-55	146	14	0	0	Jan 18	91
1955-56	330	123	0	151	Jan 26	422
1956-57	127	20	0	9.2	Feb 23	138
1957-58	3114	150	0	2248	Apr 01	443
1958-59	301	46	0	152	Jan 06	702
1959-60	60	5.8	0	0	Jan 11	48
1960-61	61	10	0	0	Jan 26	39
1961-62	1729	322	0	1299	Feb 11	737
1962-63	177	51	0	19	Feb 09	198
1963-64	222	38	0	33	Jan 22	246
1964-65	534	49	0	328	Apr 09	220
1965-66	5400	415	0	4267	Dec 29	1520
1966-67	3856	317	0	1907	Dec 06	595
1967-68	1304	133	0	404	Nov 19	331
1968-69	20866	1,110	0	18644	Jan 25	2540
1969-70	718	90	0	527	Mar 05	878
1970-71	809	178	0	581	Nov 29	457
1971-72	207	42	0	+	Dec 27	107

N.D. Not determined

R.I. Records incomplete

+ Less than 0.05 Acre Feet or less than 0.05 CFS, but greater than 0

RESERVOIRS – YEARLY RESERVOIR OPERATION SUMMARY

Eaton Wash Dam

Season	Inflow Annual (AF)	Inflow		Outflow Annual (AF)	Peak Inflow	
		Max-Day (CFS)	Min-Day (CFS)		Date	Q (CFS)
1972-73	4299	532	0	2844	Feb 11	587
1973-74	2420	200	0	1607	Jan 07	309
1974-75	672	79	0	418	Mar 06	81
1975-76	893	74	0	424	Mar 01	175
1976-77	461	36	0	281	Jan 03	191
1977-78	R.I.					N.D.
1978-79	R.I.					N.D.
1979-80	R.I.					N.D.
1980-81	578	45	0	587	Mar 01	195
1981-82	1676	121	0	1530	Mar 17	200
1982-83	19050	732	0	18941	Mar 02	1982
1983-84	1918	61	0	1929	Dec 25	188
1984-85	701	23	0	698	Dec 19	23
1985-86	1937	56	0	1933	Jan 30	223
1986-87	N.D.	27	0	N.D.	Jan 04	N.D.
1987-88	848	55	0	649	Feb 01	228
1988-89	322	26	0	182	Dec 16	74
1989-90	233	40	0	131	Feb 17	63
1990-91	1602	127	0	1589	Mar 01	239
1991-92	5693	295	0	5678	Feb 11	1068
1992-93	14662	340	0	14661	Jan 07	937
1993-94	1100	26	0	984	Feb 08	51
1994-95	7500	225	0	7461	Jan 10	757
1995-96	1891	158	0	1865	Feb 20	266
1996-97	R.I.					N.D.
1997-98	6514	308	0	6514	Feb 23	1418
1998-99						N.D.
1999-00	626	55	0	799	Feb 28	70
2000-01	N.D.				Feb 13	179.4
2001-02	R.I.	R.I.	0	42.4		N.D.
2002-03	768	98	0	402	Feb 11	295.5
2003-04	517	100	0	298	Feb 26	363
2004-05	11850	259	0	11170	Oct 20	593
2005-06	1900	75.4	0	1470	Mar 28	223.2

N.D. Not determined

R.I. Records incomplete

+ Less than 0.05 Acre Feet or less than 0.05 CFS, but greater than 0

RESERVOIRS – YEARLY RESERVOIR OPERATION SUMMARY

Live Oak Dam

Season	Inflow Annual (AF)	Inflow		Outflow Annual (AF)	Peak Inflow	
		Max-Day (CFS)	Min-Day (CFS)		Date	Q (CFS)
1932-33	0	0	0	0		0
1933-34	N.D.	N.D.	N.D.	142		N.D.
1934-35	27	2.3	0	27	Apr 08	16
1935-36	N.D.	4.1	0	0		N.D.
1936-37	494	35	0	413	Feb 06	139.2
1937-38	800	147	0	785	Mar 02	339
1938-39	21	1.0	0	3.2	Feb 03	1.4
1939-40	16	1.2	0	1.4	Jan 08	11
1940-41	719	39	0	718	Mar 04	90
1941-42	0	+	+	0		+
1942-43	827	78	0	827	Jan 22	170
1943-44	218	33	0	218	Feb 22	74
1944-45	177	9.4	0	177	Feb 02	67
1945-46	105	22	0	89	Dec 23	127
1946-47	64	7.5	0	45	Nov 20	25
1947-48	0	0	0	0		N.D.
1948-49	0	0	0	0		N.D.
1949-50	4.7	0.3	0	3.6	Dec 19	2.6
1950-51	0	0	0	0		N.D.
1951-52	362	34	0	343	Jan 16	148
1952-53	2	+	0	3.2	Dec 01	0.8
1953-54	78	13	0	64	Jan 25	82
1954-55	0.3	+	0	0.3		N.D.
1955-56	77	25	0	72	Jan 26	128
1956-57	1.9	0.1	0	0.1	Jan 13	1.1
1957-58	699	38	0	699	Apr 03	67
1958-59	5.6	0.8	0	5.4	Jan 06	9.2
1959-60	0	0	0	0		N.D.
1960-61	4.8	0.7	0	0	Nov 06	22
1961-62	186	29	0	111	Nov 20	366
1962-63	13	5.8	0	5.4	Feb 09	23
1963-64	4.8	0.8	0	0	Mar 22	6.2
1964-65	20	6.8	0	15	Apr 09	58
1965-66	243	23	0	241	Nov 22	116
1966-67	699	112	+	672	Dec 06	360
1967-68	131	6.0	0	130	Mar 08	39

N.D. Not determined

R.I. Records incomplete

+ Less than 0.05 Acre Feet or less than 0.05 CFS, but greater than 0

RESERVOIRS – YEARLY RESERVOIR OPERATION SUMMARY

Live Oak Dam

Season	Inflow Annual (AF)	Inflow		Outflow Annual (AF)	Peak Inflow	
		Max-Day (CFS)	Min-Day (CFS)		Date	Q (CFS)
1968-69	2146	152	0	2115	Jan 25	403
1969-70	258	8.4	0	258	Feb 28	14
1970-71	243	7.2	0	243	Dec 21	16
1971-72	71	3.5	0	71	Dec 24	5
1972-73	291	34	0	290	Feb 11	52
1973-74	132	13	0	132	Jan 07	31
1974-75	71	2.0	0	61	Mar 06	14
1975-76	30	2.5	0	24	Mar 01	7.2
1976-77	32	2.0	0	33	Jan 03	13
1977-78	1517	70.9	0	1517	Mar 04	187
1978-79	655	18.1	0	655	Mar 27	43.4
1979-80	R.I.					N.D.
1980-81	240	3	0	237	Mar 02	4
1981-82	421	19	0	421	Mar 18	32
1982-83	1778	72	0	1780	Mar 01	144
1983-84	447	12	0	448	Dec 25	47
1984-85	162	3.6	0	162	Dec 19	5
1985-86	192	4.4	0	192	Feb 16	7
1986-87	37	0.8	0	37	Jan 04	10
1987-88	70	2.7	0	69	Jan 17	4
1988-89	96	6.0	0	93	Feb 04	11
1989-90	51	2	0	51	Feb 17	3
1990-91	205	22	0	204	Mar 01	44
1991-92	277	26	0	277	Feb 12	112
1992-93	1762	55	0	1759	Jan 07	68
1993-94	230	2.8	0	235	Mar 19	17
1994-95	820	32	0	820	Jan 10	86
1995-96	357	37	0	357	Feb 20	75
1996-97	R.I.					N.D.
1997-98	828	50	0	782	Feb 23	139
1998-99						N.D.
1999-00	0	31	0	0	Feb 21	N.D.
2000-01						N.D.
2001-02	11.7	0.2	0	0	Jan 28	4
2002-03	197	31	0	46	Mar 16	201.1
2003-04	286	28	0	230	Feb 26	169

N.D. Not determined

R.I. Records incomplete

+ Less than 0.05 Acre Feet or less than 0.05 CFS, but greater than 0

RESERVOIRS – YEARLY RESERVOIR OPERATION SUMMARY

Live Oak Dam

Season	Inflow Annual (AF)	Inflow		Outflow Annual (AF)	Peak Inflow	
		Max-Day (CFS)	Min-Day (CFS)		Date	Q (CFS)
2004-05	3010	155	0	2930	Feb 11	339
2005-06	784	19.4	0	813	Apr 03	305

N.D. Not determined
 R.I. Records incomplete
 + Less than 0.05 Acre Feet or less than 0.05 CFS, but greater than 0

RESERVOIRS – YEARLY RESERVOIR OPERATION SUMMARY

Morris Dam

Season	Inflow Annual (AF)	Inflow		Outflow Annual (AF)	Peak Inflow	
		Max-Day (CFS)	Min-Day (CFS)		Date	Q (CFS)
1937-38	339303	18590	0	337955	Mar 02	70300
1938-39	62367	890	0	75278	Dec 20	N.D.
1939-40	41367	439	1	51030	Mar 06	N.D.
1940-41	294818	4137	1	263819	Feb 20	4230
1941-42	21562	419	0.1	16504	Nov 07	N.D.
1942-43	251552	10380	0	247717	Jan 23	12660
1943-44	149889	2667	0	147194	May 25	5840
1944-45	49942	1291	0	47340	Mar 26	3590
1945-46	53467	987	0	62578	Apr 04	4880
1946-47	60442	3369	0	55718	Dec 28	9300
1947-48	14004	973	0	17392	Dec 12	2380
1948-49	5387	799	0	3777	Jun 02	N.D.
1949-50	1901	70	0	834	Dec 05	N.D.
1950-51	5066	180	0	3446	Apr 21	N.D.
1951-52	76910	3188	0	69966	Jan 16	5200
1952-53	47762	1003	0	52075	Nov 03	1280
1953-54	30334	1574	0	29069	Apr 10	3590
1954-55	1593	299	0	557	Apr 15	N.D.
1955-56	3994	491	0	816	Sep 19	N.D.
1956-57	9962	659	0	10574	Apr 12	667
1957-58	216335	2418	0	213390	Apr 05	2740
1958-59	10152	378	0	9665	Feb 16	444
1959-60	2688	359	0	994	Jul 09	N.D.
1960-61	6006	459	0	889	May 16	N.D.
1961-62	74783	1847	0	73031	Feb 15	2160
1962-63	1708	99	0	1957	Feb 09	N.D.
1963-64	1001	36	0	922	Jan 21	N.D.
1964-65	10093	1426	0	8908	Jun 05	1430
1965-66	200376	9263	0	193965	Dec 29	10330
1966-67	203232	3872	0	193246	Dec 06	5320
1967-68	35015	567	0	32902	May 06	675
1968-69	554905	19290	12	554687	Feb 25	29690
1969-70	68267	1558	0	66131	Mar 01	1800
1970-71	27828	496	0	31319	Dec 29	497
1971-72	21193	298	0	15445	Jan 05	302
1972-73	N.D.	840	0	114349	Feb 11	924

N.D. Not determined

R.I. Records incomplete

+ Less than 0.05 Acre Feet or less than 0.05 CFS, but greater than 0

RESERVOIRS – YEARLY RESERVOIR OPERATION SUMMARY

Morris Dam

Season	Inflow Annual (AF)	Inflow		Outflow Annual (AF)	Peak Inflow	
		Max-Day (CFS)	Min-Day (CFS)		Date	Q (CFS)
1973-74	27471	1054	0	30553	Jan 08	3410
1974-75	9838	313	0.2	7366	Nov 20	389
1975-76	2270	47	0.2	2110	Sep 30	125
1976-77						N.D.
1977-78						N.D.
1978-79						N.D.
1979-80						N.D.
1980-81						N.D.
1981-82						N.D.
1982-83						N.D.
1983-84						N.D.
1984-85						N.D.
1985-86						N.D.
1986-87						N.D.
1987-88						N.D.
1988-89						N.D.
1989-90						N.D.
1990-91						N.D.
1991-92						N.D.
1992-93						N.D.
1993-94						N.D.
1994-95	207136	3858	1.3	201716	Jan 10	N.D.
1995-96	41898	454	1.3	47242	Feb 20	N.D.
1996-97	38827	313	1.5	38822		N.D.
1997-98	213739	7805	0	229947	Feb 23	11892
1998-99						N.D.
1999-00	21977	9394	0	23550	Aug 30	N.D.
2000-01	25183	1202	0	21730	Feb 13	N.D.
2001-02	2516.7	29.4	0	4818.5	Jan 27	116
2002-03	41678	763	0	33874	May 29	1874
2003-04	33820	447	0	29180	Oct 06	742
2004-05	510900	17100	1.4	511900	Jan 11	21700
2005-06	159000	1110	13.3	85710	May 07	2865

N.D. Not determined

R.I. Records incomplete

+ Less than 0.05 Acre Feet or less than 0.05 CFS, but greater than 0

RESERVOIRS – YEARLY RESERVOIR OPERATION SUMMARY

Pacoima Dam

Season	Inflow Annual (AF)	Inflow		Outflow Annual (AF)	Peak Inflow	
		Max-Day (CFS)	Min-Day (CFS)		Date	Q (CFS)
1929-30	1110	N.D.	N.D.	965		N.D.
1930-31	1082	N.D.	N.D.	886		N.D.
1931-32	8741	N.D.	N.D.	8443		N.D.
1932-33	2160	101	0	2119		N.D.
1933-34	3454	N.D.	N.D.	3493	Jan 01	914
1934-35	5569	84	0	5556		N.D.
1935-36	3098	88	0	3094	Feb 12	248
1936-37	15737	356	0	14210	Feb 14	508
1937-38	25878	2360	0	26796	Mar 02	8320
1938-39	3525	86	0	3080	Dec 19	145
1939-40	3209	156	0	3133	Jan 08	928
1940-41	25785	536	0	25942	Mar 04	815
1941-42	1920	48	0.1	2032	Dec 29	85
1942-43	20698	1250	0.1	20407	Jan 23	2650
1943-44	15004	898	0.4	15167	Feb 22	1790
1944-45	4866	206	0.4	4911	Feb 02	494
1945-46	4600	332	0	2904	Mar 30	564
1946-47	4356	149	0	6029	Nov 20	282
1947-48	369	6.4	0.1	335	Apr 29	12
1948-49	723	10	0.1	740	Mar 05	17
1949-50	1063	19	0.1	1019	Feb 06	26
1950-51	142	1.3	0	69	Apr 29	2.4
1951-52	16794	681	0	4325	Jan 16	1290
1952-53	967	8.5	0	3500	Dec 01	32
1953-54	2952	107	0.1	2941	Jan 25	272
1954-55	748	18	0.1	737	Apr 30	25
1955-56	1466	90	0	1252	Jan 27	179
1956-57	573	9.8	0	773	Jan 13	14
1957-58	15818	714	0	15808	Apr 03	1180
1958-59	783	29	0	708	Jan 06	184
1959-60	131	0.9	0	271	Jan 11	2.2
1960-61	59	6.3	0	11	Nov 12	60
1961-62	6326	584	0.1	6279	Feb 11	811
1962-63	384	8.1	0.1	228	Feb 10	19
1963-64	529	8.3	0.1	722	Jan 22	56
1964-65	1313	70	0.1	1048	Apr 09	160

N.D. Not determined

R.I. Records incomplete

+ Less than 0.05 Acre Feet or less than 0.05 CFS, but greater than 0

RESERVOIRS – YEARLY RESERVOIR OPERATION SUMMARY

Pacoima Dam

Season	Inflow Annual (AF)	Inflow		Outflow Annual (AF)	Peak Inflow	
		Max-Day (CFS)	Min-Day (CFS)		Date	Q (CFS)
1965-66	15553	647	0	15214	Nov 22	2010
1966-67	23605	698	0.4	23600	Dec 06	1380
1967-68	3843	76	0	3833	Nov 21	107
1968-69	43398	2860	0	42998	Feb 25	4710
1969-70	2717	99	0.4	2308	Mar 01	276
1970-71	4806	118	0.5	4994	Nov 29	384
1971-72	1062	36	0.2	802	Dec 26	91
1972-73	7726	696	0.1	7383	Feb 11	1640
1973-74	4197	168	0.2	4154	Jan 08	532
1974-75	2279	48	0.1	2526	Mar 06	97
1975-76	1622	58	0.1	1614	Feb 09	102
1976-77	1424	43	0.3	507	Jan 03	213
1977-78	R.I.					N.D.
1978-79	R.I.					N.D.
1978-80	R.I.					N.D.
1980-81	2731	66	0	3440	Jan 29	167
1981-82	5979	226	.3	4867	Mar 17	590
1982-83	43336	2359	.5	44566	Mar 01	4671
1983-84	3521	88	.2	1386	Dec 25	153
1984-85	2853	79	0	3651	Dec 20	104
1985-86	7886	279	0	7015	Feb 15	N.D.
1986-87	638	7	0	224	Jan 04	9
1987-88	3522	52	.1	3441	Oct 23	93
1988-89	2398	40	0	2065	Feb 04	72
1989-90	784	27	0	817	Feb 17	59
1990-91	3520	127	0	3222	Mar 27	140
1991-92	N.D.	708	0	N.D.	Feb 10	1180
1992-93	40473	929	.1	39814	Jan 13	1186
1993-94	2465	27	0	3354	Feb 08	46
1994-95	23547	351	0	23710	Jan 10	1073
1995-96	7655	389	0	7710	Feb 21	532
1996-97	6497	163	1.2	5417		N.D.
1997-98	31461	1462	0.1	31467	Feb 23	3292
1998-99						N.D.
1999-00	2646	70	0	2675	Feb 22	70.2
2000-01	5038	755	0	4176		N.D.

N.D. Not determined

R.I. Records incomplete

+ Less than 0.05 Acre Feet or less than 0.05 CFS, but greater than 0

RESERVOIRS – YEARLY RESERVOIR OPERATION SUMMARY

Pacoima Dam

Season	Inflow Annual (AF)	Inflow		Outflow Annual (AF)	Peak Inflow	
		Max-Day (CFS)	Min-Day (CFS)		Date	Q (CFS)
2001-02	350.9	3.1	0	407.5	Jan 27	23.1
2002-03	3407	110	0	2437	Feb 12	260.9
2003-04	1510	81	0	1520	Feb 26	201
2004-05	48550	2200	0	32650	Jan 09	3510
2005-06	10490	272	0	8230	Jan 02	381.7

N.D. Not determined

R.I. Records incomplete

+ Less than 0.05 Acre Feet or less than 0.05 CFS, but greater than 0

RESERVOIRS – YEARLY RESERVOIR OPERATION SUMMARY

Puddingstone Dam

Season	Inflow Annual (AF)	Inflow		Outflow Annual (AF)	Peak Inflow	
		Max-Day (CFS)	Min-Day (CFS)		Date	Q (CFS)
1928-29	114	12	0	151		N.D.
1929-30	295	15	0	223		N.D.
1930-31	73	9.0	0	119		N.D.
1931-32	1547	162	0	1086		N.D.
1932-33	314	30	0	906		N.D.
1933-34	2669	596	0	1809		N.D.
1934-35	610	N.D.	N.D.	846	Jan 15	205
1935-36	703	54	0	969	Apr 10	590
1936-37	5732	303	0	2173	Feb 06	1480
1937-38	12221	2200	0	7544	Mar 02	5310
1938-39	1576	101	0	5305		N.D.
1939-40	646	54	0	2524	Jan 07	448
1940-41	12030	377	0	3308	Mar 04	1080
1941-42	475	30	0	4385	Dec 10	409
1942-43	10043	1130	0	4836	Jan 23	2300
1943-44	3408	525	0	3178	Feb 22	1030
1944-45	1615	139	0	2376	Nov 11	484
1945-46	1591	275	0	6009	Dec 23	929
1946-47	1414	96	0	788	Nov 13	445
1947-48	324	31	0	362	Dec 05	195
1948-49	336	21	0	201	Mar 13	240
1949-50	493	55	0	140	Feb 06	178
1950-51	182	15	0	145	Jan 29	162
1951-52	4,673	353	0	1857	Jan 16	952
1952-53	928	32	0	1140	Dec 01	358
1953-54	31282	244	0	31609	Jan 25	600
1954-55	26065	255	0	23287	Nov 11	338
1955-56	57309	458	0	50771	Jan 26	1360
1956-57	50583	216	0	53781	Jan 13	262
1957-58	6670	302	0	1976	Apr 03	690
1958-59	394	68	0	72	Jan 06	871
1959-60	837	80	0	40	Jan 12	148
1960-61	10900	198	0	9416	Nov 06	N.D.
1961-62	4463	173	0	33	Dec 02	963
1962-63	927	139	0	464	Feb 10	325
1963-64	594	43	0	0	Jan 22	242

N.D. Not determined

R.I. Records incomplete

+ Less than 0.05 Acre Feet or less than 0.05 CFS, but greater than 0

RESERVOIRS – YEARLY RESERVOIR OPERATION SUMMARY

Puddingstone Dam

Season	Inflow Annual (AF)	Inflow		Outflow Annual (AF)	Peak Inflow	
		Max-Day (CFS)	Min-Day (CFS)		Date	Q (CFS)
1964-65	2,675	153	0	7401	Apr 09	1770
1965-66	10456	444	0	3066	Nov 22	1590
1966-67	11508	1090	0	9988	Dec 06	2440
1967-68	15811	174	0	14275	Mar 08	760
1968-69	36802	2830	0	35754	Jan 25	4340
1969-70	1650	163	0.2	+	Mar 01	507
1970-71	1494	149	0.1	4094	Dec 18	365
1971-72	1007	186	+	+	Dec 24	538
1972-73	4038	341	0.1	+	Feb 11	604
1973-74	2409	310	0.1	1069	Jan 07	660
1974-75	1832	153	0	1832	Dec 04	769
1975-76	2644	180	0.1	0	Sep 10	493
1976-77	2655	138	0.1	197	Jan 03	812
1977-78	R.I					N.D.
1978-79	R.I					N.D.
1979-80	R.I					N.D.
1980-81	2115	154	0	515	Jan 29	1132
1981-82	4731	350	0	2598	Mar 18	810
1982-83	15956	764	0	15238	Mar 01	2570
1983-84	2791	192	0	2048	Dec 25	1159
1984-85	2688	143	0	873	Dec 18	236
1985-86	4888	241	0	3150	Mar 16	1058
1986-87	1989	291	0	1118	Jan 04	854
1987-88	4010	143	0	2373	Jan 17	422
1988-89	3539	117	0	2045	Feb 04	211
1989-90	2545	235	0	977	Feb 17	683
1990-91	4461	371	0	2932	Mar 01	1270
1991-92	6781	407	0	5333	Feb 12	959
1992-93	30324	909	0	28674	Jan 18	1992
1993-94	2884	78	0.1	1322	Feb 07	212
1994-95	11261	537	0.1	9927	Jan 10	1411
1995-96	4587	438	0	3275	Feb 20	1460
1996-97	5421	200	0	4382		N.D.
1997-98	15722	626	0.1	13941	Feb 23	1660
1998-99	615			238		N.D.
1999-00	1795	3010	0	656	Feb 24	N.D.

N.D. Not determined

R.I. Records incomplete

+ Less than 0.05 Acre Feet or less than 0.05 CFS, but greater than 0

RESERVOIRS – YEARLY RESERVOIR OPERATION SUMMARY
--

Puddingstone Dam

Season	Inflow Annual (AF)	Inflow		Outflow Annual (AF)	Peak Inflow	
		Max-Day (CFS)	Min-Day (CFS)		Date	Q (CFS)
2000-01	N.D.				Jan 11	597.8
2001-02	1351.5	170.7	0	149.6		N.D.
2002-03	5160	592	0	3147	Mar 16	487.3
2003-04	3370	172	0	1550	Feb 26	242
2004-05	19820	796	0	17890	Feb 19	1320
2005-06	6070	209	0	2790	Mar 28	916.5

N.D. Not determined

R.I. Records incomplete

+ Less than 0.05 Acre Feet or less than 0.05 CFS, but greater than 0

RESERVOIRS – YEARLY RESERVOIR OPERATION SUMMARY

Puddingstone Diversion

Season	Inflow Annual (AF)	Inflow		Outflow Annual (AF)	Peak Inflow	
		Max-Day (CFS)	Min-Day (CFS)		Date	Q (CFS)
1935-36	304	48	0	304	Apr 10	85
1936-37	5019	104	0	4646		N.D.
1937-38	11697	1640	0	11506	Mar 02	5760
1938-39	1288	28	0	1293	Jan 10	N.D.
1939-40	350	26	0	155	Jan 08	33
1940-41	7213	133	0	6776	Mar 14	155
1941-42	341	13	0	203	Dec 12	24
1942-43	8593	970	0	7939	Jan 23	2040
1943-44	3406	357	0	3010	Feb 22	724
1944-45	1719	64	0	1294	Feb 02	88
1945-46	970	159	0	773	Dec 23	234
1946-47	1400	55	0	1109	Dec 26	58
1947-48	0	0	0	0		N.D.
1948-49	0	0	0	0		N.D.
1949-50	0	0	0	0		N.D.
1950-51	0	0	0	0		N.D.
1951-52	3366	158	0	2910	Jan 16	201
1952-53	0	0	0	0		N.D.
1953-54	628	57	0	429	Feb 14	82
1954-55	0	0	0	0		N.D.
1955-56	196	34	0	128	Jan 26	93
1956-57	0	0	0	0		N.D.
1957-58	5938	227	0	5172	Apr 03	284
1958-59	89	14	0	49	Feb 18	18
1959-60	0	0	0	0		N.D.
1960-61	146	11	0	64	Nov 26	137
1961-62	3277	152	0	3106	Nov 20	2110
1962-63	827	95	0	515	Feb 09	640
1963-64	112	19	0	67	Jan 22	55
1964-65	873	69	0	538	Apr 09	239
1965-66	6471	320	0	5864	Nov 22	864
1966-67	13656	958	0	12140	Dec 06	2230
1967-68	2744	62	0	2180	Nov 30	125
1968-69	35110	2610	0	34200	Jan 25	5600
1969-70	4005	27	0	2788	Mar 04	62
1970-71	2181	35	0	1524	Dec 21	61

N.D. Not determined

R.I. Records incomplete

+ Less than 0.05 Acre Feet or less than 0.05 CFS, but greater than 0

RESERVOIRS – YEARLY RESERVOIR OPERATION SUMMARY

Puddingstone Diversion

Season	Inflow Annual (AF)	Inflow		Outflow Annual (AF)	Peak Inflow	
		Max-Day (CFS)	Min-Day (CFS)		Date	Q (CFS)
1971-72	764	15	0	488	Dec 24	56
1972-73	3746	163	0	3321	Feb 11	219
1973-74	1660	75	0	1371	Jan 07	110
1974-75	969	15	0	786	Mar 06	46
1975-76	423	9.1	0	333	Mar 01	16
1976-77	844	29	0	578	Jan 03	57
1977-78	R.I.					N.D.
1978-79	R.I.					N.D.
1979-80	R.I.					N.D.
1980-81	2025	21	0	1877	Jan 29	44
1981-82	2856	122	0	2831	Mar 18	260
1982-83	18257	705	0	18272	Mar 01	1867
1983-84	3267	54	0	3259	Dec 25	84
1984-85	1353	37	0	1294	Dec 18	40
1985-86	1324	99	0	1201	Mar 16	104
1986-87	686	18	0	702	Jan 04	49
1987-88	927	38	0	823	Jan 17	214
1988-89	1060	76	0	927	Feb 04	111
1989-90	228	48	0	193	Feb 17	78
1990-91	2079	54	0	2024	Feb 28	195
1991-92	3289	163	0	3277	Feb 12	264
1992-93	25714	698	0	25686	Jan 18	757
1993-94	1475	14	0	1488	Feb 07	23
1994-95	11349	211	0	11349	Jan 10	252
1995-96	3045	71	0	3044	Feb 20	161
1996-97	2468	84	0	2440		N.D.
1997-98	13037	514	0	12996	Feb 24	652
1998-99						N.D.
1999-00	746	46	0	769	Jun 23	55.1
2000-01						N.D.
2001-02	R.I.	R.I.	0	49.2		N.D.
2002-03						N.D.
2003-04	1300	45	0	1100	Dec 25	240
2004-05	25850	1440	0	25690	Jan 09	1920
2005-06	4040	129	0	3920	Aug 02	238

N.D. Not determined

R.I. Records incomplete

+ Less than 0.05 Acre Feet or less than 0.05 CFS, but greater than 0

RESERVOIRS – YEARLY RESERVOIR OPERATION SUMMARY

San Dimas Dam

Season	Inflow Annual (AF)	Inflow		Outflow Annual (AF)	Peak Inflow	
		Max-Day (CFS)	Min-Day (CFS)		Date	Q (CFS)
1928-29	N.D.	N.D.	0	N.D.		N.D.
1929-30	591	28	0	573		N.D.
1930-31	585	23	0	466		N.D.
1931-32	2502	162	0	2496		N.D.
1932-33	652	50	0	648		N.D.
1933-34	1351	229	0	1357	Jan 01	422
1934-35	1753	60	0	1682	Apr 08	145
1935-36	1094	35	0	1136	Feb 11	155
1936-37	6316	154	0	6126	Feb 06	296
1937-38	12492	1600	0.4	12494	Mar 02	4920
1938-39	2165	43	0.2	2024	Jan 05	80
1939-40	1532	60	0	1600	Jan 08	302
1940-41	9645	131	0.1	9240	Mar 04	235
1941-42	1603	16	0.2	1855	Dec 10	29
1942-43	9271	573	0.5	9095	Jan 23	1700
1943-44	5348	398	0.1	5423	Feb 22	785
1944-45	3747	97	0.9	3811	Nov 11	375
1945-46	2560	149	0.1	2368	Dec 23	519
1946-47	2705	100	0.1	2982	Nov 20	340
1947-48	720	10	0	706	Feb 05	15
1948-49	728	11	0.1	694	Jan 20	19
1949-50	734	25	0.1	750	Dec 18	65
1950-51	300	5.3	0.1	301	Apr 29	16
1951-52	4864	208	0.1	4593	Jan 16	453
1952-53	822	9.8	0.1	1092	Dec 01	25
1953-54	1514	97	0.1	1501	Jan 25	327
1954-55	561	11	0.1	526	Jan 18	27
1955-56	736	98	0.1	767	Jan 26	362
1956-57	452	12	0.1	433	Jan 13	41
1957-58	6786	299	0	6503	Apr 03	753
1958-59	931	37	0.1	1239	Feb 16	189
1959-60	408	6.7	0.1	455	Feb 08	11
1960-61	468	31	0.1	250	Nov 05	397
1961-62	3206	224	+	2664	Nov 20	2520
1962-63	1001	81	0.1	1108	Feb 09	440
1963-64	680	20	0.1	711	Jan 22	121

N.D. Not determined

R.I. Records incomplete

+ Less than 0.05 Acre Feet or less than 0.05 CFS, but greater than 0

RESERVOIRS – YEARLY RESERVOIR OPERATION SUMMARY

San Dimas Dam

Season	Inflow Annual (AF)	Inflow		Outflow Annual (AF)	Peak Inflow	
		Max-Day (CFS)	Min-Day (CFS)		Date	Q (CFS)
1964-65	1118	53	0	1175	Apr 09	232
1965-66	6494	305	0.2	6326	Dec 29	1010
1966-67	12352	674	0	11598	Dec 06	1720
1967-68	3148	80	0.1	3058	Nov 19	414
1968-69	28645	1710	0.7	28808	Jan 25	3620
1969-70	4314	71	0.7	4736	Mar 01	114
1970-71	2465	70	0.5	2125	Nov 29	127
1971-72	1040	33	0.2	1217	Dec 24	77
1972-73	4252	346	0.7	4000	Feb 11	685
1973-74	2447	121	0.3	2389	Jan 07	185
1974-75	1487	28	0.1	1566	Mar 06	67
1975-76	1002	52	0.1	926	Sep 10	443
1976-77	1094	41	0	1146	Jan 03	260
1977-78	R.I.					
1978-79	R.I.					
1979-80	19951	673	2.3	18715	Feb 16	2549
1980-81	3016	37	.8	3216	Jan 29	147
1981-82	3848	161	.2	3700	Mar 17	295
1982-83	17632	527	0	17381	Mar 01	1559
1983-84	3816	55	0	4330	Dec 25	115
1984-85	2554	45	.6	2560	Dec 19	67
1985-86	2401	55	0	2415	Mar 16	89
1986-87	N.D.	10	.1	N.D.	Jan 05	13
1987-88	1821	54	0	1216	Jan 17	157
1988-89	1122	35	0	1225	Feb 04	96
1989-90	731	28	0	462	Feb 17	93
1990-91	1967	112	0	2361	Mar 27	236
1991-92	4037	143	0	3938	Feb 12	403
1992-93	24941	651	0	24446	Jan 14	945
1993-94	2295	17	.2	2424	Feb 07	31
1994-95	10102	177	.8	9801	Jan 10	363
1995-96	4036	149	.2	4097	Feb 20	418
1996-97	13175	81	0	2988		N.D.
1997-98	12122	396	0.3	11948	Feb 23	1194
1998-99						N.D.
1999-00	1243	64	0	1297	Feb 18	N.D.

N.D. Not determined

R.I. Records incomplete

+ Less than 0.05 Acre Feet or less than 0.05 CFS, but greater than 0

RESERVOIRS – YEARLY RESERVOIR OPERATION SUMMARY
--

San Dimas Dam

Season	Inflow Annual (AF)	Inflow		Outflow Annual (AF)	Peak Inflow	
		Max-Day (CFS)	Min-Day (CFS)		Date	Q (CFS)
2000-01	1695	61	0	1524	Jan 11	473.3
2001-02	490	10.3	0	435.7	Jan 28	25.7
2002-03	2405	246	0	1578	Feb 13	1238
2003-04	1710	190	0	1610	Dec 25	1560
2004-05	24490	1160	0.32	23760	Jan 09	1680
2005-06	5780	162	2.07	5270	May 11	379

N.D. Not determined

R.I. Records incomplete

+ Less than 0.05 Acre Feet or less than 0.05 CFS, but greater than 0

RESERVOIRS – YEARLY RESERVOIR OPERATION SUMMARY

San Gabriel Dam

Season	Inflow Annual (AF)	Inflow		Outflow Annual (AF)	Peak Inflow	
		Max-Day (CFS)	Min-Day (CFS)		Date	Q (CFS)
1937-38	339155	30720	37	332893	Mar 02	89320
1938-39	67231	1330	23	61655	Dec 19	2780
1939-40	58554	757	18	63386	Jan 08	2270
1940-41	306801	3940	20	305515	Feb 20	5780
1941-42	50285	297	20	49759	Dec 29	468
1942-43	271286	17180	20	267085	Jan 23	46000
1943-44	184923	5710	43	184622	Feb 22	9860
1944-45	91961	1300	28	90131	Nov 11	6440
1945-46	99531	2980	28	89502	Dec 21	5760
1946-47	107688	3340	18	104088	Dec 26	6520
1947-48	29259	257	9.9	37794	Apr 29	506
1948-49	24728	94	11	21546	Jan 20	120
1949-50	27797	266	9.5	27736	Dec 19	448
1950-51	10169	54	3	13002	Jan 11	174
1951-52	159048	3340	3.9	118918	Jan 16	6130
1952-53	41270	375	7.5	77961	Dec 01	544
1953-54	60515	1280	8.3	56517	Jan 25	2940
1954-55	39159	171	18	37304	Apr 30	313
1955-56	35215	950	14	38127	Jan 26	2250
1956-57	37210	1090	15	35069	Jan 13	2850
1957-58	230745	4270	21	229610	Apr 03	6900
1958-59	43762	1030	14	43100	Jan 06	3080
1959-60	19474	112	5	19258	Apr 28	168
1960-61	12041	122	2.2	12698	Nov 05	634
1961-62	116890	6350	3.4	112380	Feb 11	13960
1962-63	25930	512	6.2	24587	Feb 09	2440
1963-64	24009	287	5.2	22601	Apr 01	504
1964-65	36281	396	5.5	34427	Apr 09	1070
1965-66	220689	9030	12	217503	Dec 29	27180
1966-67	224903	6700	30	224538	Dec 06	12420
1967-68	66761	697	26	68771	Nov 19	1620
1968-69	527883	28020	24	524874	Jan 25	44400
1969-70	66842	1250	26	66688	Feb 28	2550
1970-71	60375	2120	29	55358	Nov 29	6400
1971-72	34908	975	14	38192	Dec 25	1390
1972-73	124722	5075	14.1	124333	Feb 11	17430

N.D. Not determined

R.I. Records incomplete

+ Less than 0.05 Acre Feet or less than 0.05 CFS, but greater than 0

RESERVOIRS – YEARLY RESERVOIR OPERATION SUMMARY

San Gabriel Dam

Season	Inflow Annual (AF)	Inflow		Outflow Annual (AF)	Peak Inflow	
		Max-Day (CFS)	Min-Day (CFS)		Date	Q (CFS)
1973-74	72959	1140	32	67194	Jan 07	1820
1974-75	47681	423	27	46194	Mar 06	880
1975-76	38598	978	18	33781	Sep 11	1630
1976-77	36322	407	15	34846	Jan 03	1137
1977-78	486296	13437	14.9	483712	Mar 04	31730
1978-79	158043	1647	42.9	163511	Mar 28	1965
1979-80	346155	11476	42.5	344454	Feb 16	24540
1980-81	42882	281	15	40116	Jan 29	784
1981-82	95225	1591	19	79833	Mar 17	2869
1982-83	404332	14585	33	402734	Mar 01	17080
1983-84	61069	983	13	75284	Dec 25	1568
1984-85	46633	617	8.5	46101	Dec 19	742
1985-86	103558	1252	14	100926	Jan 30	1911
1986-87	22847	149	3	22919	Jan 05	259
1987-88	66101	574	3.8	49337	Feb 01	814
1988-89	33435	273	4	47683	Dec 16	496
1989-90	18979	248	2.3	17008	Feb 18	388
1990-91	61479	1575	3.3	39454	Mar 01	4294
1991-92	171617	5796	0	193158	Feb 12	11426
1992-93	445072	10181	0	429615	Feb 19	12934
1993-94	44269	312	.6	50441	Feb 08	433
1994-95	248268	3811	12.8	242886	Jan 10	6996
1995-96	72722	2995	2	70533	Feb 21	3822
1996-97	66304	947	5.2	64946		N.D.
1997-98	275500	9169	8.2	237419	Feb 23	22512
1998-99						N.D.
1999-00	43634	1626	3	43713	Feb 21	N.D.
2000-01	58142	629	0	56650	Feb 13	1362.7
2001-02	13861.7	95.5	0	16673.7		N.D.
2002-03	58481	1958	0	58481	Mar 16	2810
2003-04	36750	1160	0	43980	Dec 25	8400
2004-05	537400	19600	0	534000	Jan 11	24700
2005-06	50760	1270	0	126400	Jan 03	1452

N.D. Not determined

R.I. Records incomplete

+ Less than 0.05 Acre Feet or less than 0.05 CFS, but greater than 0

RESERVOIRS – YEARLY RESERVOIR OPERATION SUMMARY

Santa Anita Dam

Season	Inflow Annual (AF)	Inflow		Outflow Annual (AF)	Peak Inflow	
		Max-Day (CFS)	Min-Day (CFS)		Date	Q (CFS)
1926-27	1208	13	0.4	1030		N.D.
1927-28	1009	22	0.1	1162		N.D.
1928-29	1214	30	0	1256		N.D.
1929-30	1276	25	0.1	964		N.D.
1930-31	989	34	0	1155		N.D.
1931-32	4010	236	0.1	3883		N.D.
1932-33	2190	152	0	2022	Jan 19	390
1933-34	2603	322	0	2622	Jan 01	800
1934-35	3693	92	0.1	3585	Apr 08	449
1935-36	2480	84	0	2535	Feb 12	228
1936-37	8798	192	0	8616	Feb 06	313
1937-38	16594	1780	1.3	16689	Mar 02	5140
1938-39	2726	74	0.4	2461	Dec 19	159
1939-40	2743	62	0.4	2664	Jan 08	378
1940-41	15225	239	0.4	15235	Mar 04	300
1941-42	2070	25	0.6	2140	Dec 29	53
1942-43	19371	1110	0.6	19440	Jan 23	3100
1943-44	7463	514	1.3	7294	Feb 22	813
1944-45	4147	101	1.1	4133	Nov 11	303
1945-46	3426	164	0.8	3360	Dec 23	492
1946-47	4489	122	0.7	4462	Nov 20	382
1947-48	1075	14	0.3	1243	Apr 28	41
1948-49	1031	17	0.2	983	Jan 20	32
1949-50	1357	30	0.2	1311	Dec 18	115
1950-51	460	4.5	0.1	497	Jan 11	10
1951-52	8408	351	0.1	8292	Jan 16	837
1952-53	1562	20	0.5	1729	Dec 01	153
1953-54	3302	201	0.4	3412	Jan 24	1240
1954-55	1432	18	0.3	1437	Nov 11	173
1955-56	2218	175	0.3	2196	Jan 26	569
1956-57	1535	36	0.5	1431	Feb 23	122
1957-58	11696	298	0.7	11715	Apr 03	618
1958-59	2183	66	0.6	2033	Jan 06	622
1959-60	954	6.5	0.1	1152	Feb 01	16
1960-61	527	12	0.1	407	Jan 26	65
1961-62	6328	682	0.1	6242	Feb 11	1460

N.D. Not determined

R.I. Records incomplete

+ Less than 0.05 Acre Feet or less than 0.05 CFS, but greater than 0

RESERVOIRS – YEARLY RESERVOIR OPERATION SUMMARY

Santa Anita Dam

Season	Inflow Annual (AF)	Inflow		Outflow Annual (AF)	Peak Inflow	
		Max-Day (CFS)	Min-Day (CFS)		Date	Q (CFS)
1962-63	1628	56	0.7	1848	Feb 09	368
1963-64	1219	32	+	1144	Apr 01	53
1964-65	2039	50	0	1988	Apr 09	130
1965-66	13102	600	0.4	12933	Dec 29	1920
1966-67	16245	645	1.5	16261	Dec 06	1520
1967-68	3376	56	0.1	3579	Nov 19	165
1968-69	38734	2292	0.3	38369	Jan 25	5500
1969-70	2859	85	1	2859	Feb 28	208
1970-71	3211	184	1	3075	Nov 29	674
1971-72	1316	36	0.5	1249	Dec 24	99
1972-73	6414	482	0.4	6258	Feb 11	1350
1973-74	4660	174	1.2	4546	Jan 07	280
1974-75	2347	36	0.1	2647	Mar 06	54
1975-76	1580	52	0.2	1469	Mar 01	101
1976-77	1320	35	1	1206	Jan 03	200
1977-78	R.I.					
1978-79	R.I.					
1979-80	R.I.					
1980-81	2221	27	0.6	2210	Jan 29	147
1981-82	3714	127	0.6	3652	Mar 17	213
1982-83	21246	882	0	21325	Mar 02	1197
1983-84	3603	57	0.3	3586	Dec 25	142
1984-85	2363	48	0	2272	Dec 19	102
1985-86	4735	77	0.4	4612	Jan 30	89
1986-87	1041	7.6	0	1174	Jan 05	11
1987-88	2490	37	0.1	2488	Jan 17	87
1988-89	1729	52	0	1599	Feb 04	119
1989-90	737	30	0	740	Feb 17	117
1990-91	2393	92	0	2323	Mar 01	417
1991-92	9339	390	0.2	9292	Feb 11	863
1992-93	23546	558	0.2	23581	Jan 07	909
1993-94	1475	15	0	1565	Mar 24	19
1994-95	12439	242	0.1	12281	Jan 10	587
1995-96	4494	274	0.1	4535	Feb 21	481
1996-97	4970	93	0.1	4934		N.D.
1997-98	13694	787	0	13655	Feb 23	2449

N.D. Not determined

R.I. Records incomplete

+ Less than 0.05 Acre Feet or less than 0.05 CFS, but greater than 0

RESERVOIRS – YEARLY RESERVOIR OPERATION SUMMARY

Santa Anita Dam

Season	Inflow Annual (AF)	Inflow		Outflow Annual (AF)	Peak Inflow	
		Max-Day (CFS)	Min-Day (CFS)		Date	Q (CFS)
1998-99						N.D.
1999-00	1872	35	0	1970	Feb 24	54
2000-01	2712	233	0	2561	Feb 13	N.D.
2001-02	414.2	7.7	0	204.1	Jan 28	14
2002-03	1904	75	0	1925	Mar 16	725.9
2003-04	1460	67	0	1520	Feb 26	229
2004-05	26960	1310	0.52	9350	Jan 09	1350
2005-06	4380	109	0	4370	Jan 02	474

N.D. Not determined

R.I. Records incomplete

+ Less than 0.05 Acre Feet or less than 0.05 CFS, but greater than 0

RESERVOIRS – YEARLY RESERVOIR OPERATION SUMMARY

Thompson Creek Dam

Season	Inflow Annual (AF)	Inflow		Outflow Annual (AF)	Peak Inflow	
		Max-Day (CFS)	Min-Day (CFS)		Date	Q (CFS)
1931-32	81	12	0	81	Feb 09	91
1932-33	0	0	0	0		N.D.
1933-34	N.D.	N.D.	N.D.	0		N.D.
1934-35	1	N.D.	N.D.	0		N.D.
1935-36	0.5	N.D.	N.D.	0		N.D.
1936-37	274	24	0	0		N.D.
1937-38	1099	259	0	1096	Mar 02	580
1938-39	21	0.6	0	0	Jan 30	1.1
1939-40	49	4.5	0	0	Jan 07	26
1940-41	640	46	0	2.8	Mar 04	97
1941-42	0.3	+	0	0	Dec 10	0.5
1942-43	767	121	0	334	Jan 23	270
1943-44	286	56	0	0	Feb 22	111
1944-45	149	18	0	0	Nov 12	132
1945-46	148	25	0	0	Dec 23	120
1946-47	88	16	0	0	Nov 20	47
1947-48	0	0	0	0		N.D.
1948-49	0	0	0	0		N.D.
1949-50	6.2	2	0	0	Dec 19	4.5
1950-51	0	0	0	0		N.D.
1951-52	314	30	0	34	Jan 16	70
1952-53	12	1.3	0	0	Dec 01	8.2
1953-54	194	19	0	0	Jan 25	172
1954-55	4.4	1	0	0	Jan 18	1.4
1955-56	58	25	0	0	Jan 26	117
1956-57	4.4	2	0	0	Jan 13	5.8
1957-58	389	34	0	219	Apr 03	67
1958-59	5.6	1	0	0	Feb 16	4.7
1959-60	2	0.3	0	0	Apr 28	5.4
1960-61	5.2	1	0	0	Nov 12	3.9
1961-62	101	9.3	0	0	Nov 20	190
1962-63	88	26	0	17	Feb 09	145
1963-64	23	4.2	0	0	Mar 22	20
1964-65	26	9.9	0	0	Apr 09	55
1965-66	258	34	0	0	Nov 23	140
1966-67	842	200	0	305	Dec 06	408

N.D. Not determined

R.I. Records incomplete

+ Less than 0.05 Acre Feet or less than 0.05 CFS, but greater than 0

RESERVOIRS – YEARLY RESERVOIR OPERATION SUMMARY

Thompson Creek Dam

Season	Inflow Annual (AF)	Inflow		Outflow Annual (AF)	Peak Inflow	
		Max-Day (CFS)	Min-Day (CFS)		Date	Q (CFS)
1967-68	167	6.8	0	0	Nov 19	18
1968-69	2556	279	0	2061	Jan 25	574
1969-70	54	4.8	0	1.6	Mar 01	13
1970-71	32	5.5	0	0	Dec 21	12
1971-72	6	1.3	0	0	Dec 27	3
1972-73	161	34	0	7.5	Feb 11	58
1973-74	37	10	0	37	Jan 07	29
1974-75	0	0	0	0		N.D.
1975-76	15	3.5	0	0	Feb 01	3.5
1976-77	37	6.8	0	0		N.D.
1977-78	R.I.					N.D.
1978-79	R.I.					N.D.
1979-80	R.I.					N.D.
1980-81	0	0	0	0		N.D.
1981-82	62	9.4	0	18	Mar 17	40
1982-83	1118	114	0	583	Mar 01	377
1983-84	70	2.7	0	11	Dec 26	4
1984-85	0	0	0	0		N.D.
1985-86	58	9.7	0	58	Mar 16	27
1986-87	0	0	0	0		N.D.
1987-88	2	.3	0	2.1	Jan 17	.9
1988-89	2.1	.3	0	2	Feb 04	.5
1989-90	5.6	.5	0	5.6	Feb 17	.8
1990-91	76	17	0	34	Mar 27	20
1991-92	190	16	0	190	Mar 23	20
1992-93	1267	57	0	1202	Jan 18	166
1993-94	.4	.1	0	.4	Mar 19	1.2
1994-95	330	35	0	330	Jan 10	82
1995-96	392	31	0	392	Feb 20	73
1996-97	48	11	0	48		N.D.
1997-98	526	98	0	525	Feb 23	299
1998-99						N.D.
1999-00	0	0	0	0		N.D.
2000-01						N.D.
2001-02	N.D.	N.D.	N.D.	0		N.D.
2002-03						N.D.

N.D. Not determined

R.I. Records incomplete

+ Less than 0.05 Acre Feet or less than 0.05 CFS, but greater than 0

RESERVOIRS – YEARLY RESERVOIR OPERATION SUMMARY
--

Thompson Creek Dam

Season	Inflow Annual (AF)	Inflow		Outflow Annual (AF)	Peak Inflow	
		Max-Day (CFS)	Min-Day (CFS)		Date	Q (CFS)
2003-04	242	34	0	61	Feb 26	195
2004-05	1800	85	0	1630	Jan 10	280
2005-06	213	25	0	0.3	Feb 28	79

N.D. Not determined

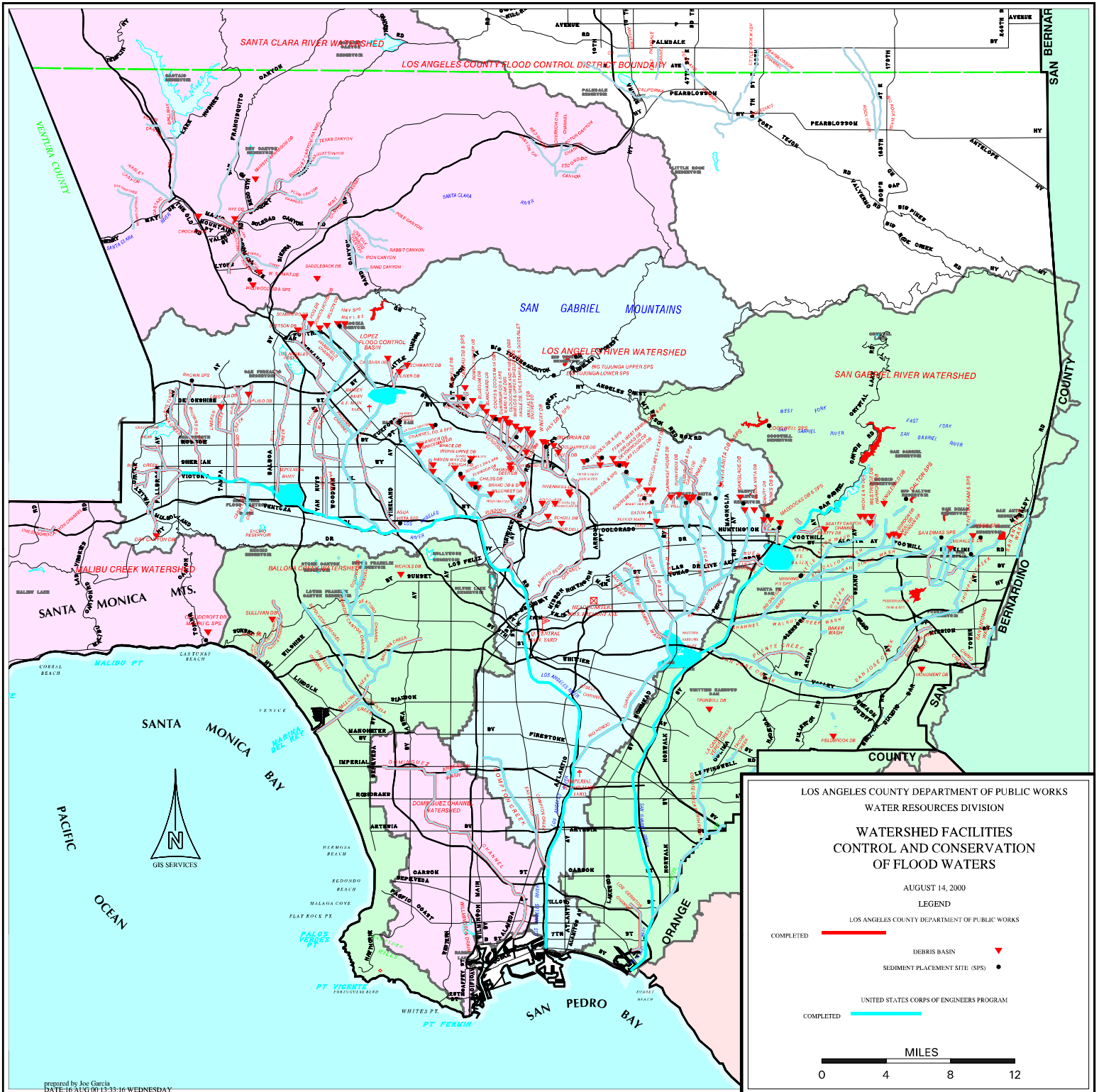
R.I. Records incomplete

+ Less than 0.05 Acre Feet or less than 0.05 CFS, but greater than 0

APPENDIX F

HYDROLOGIC REPORT 2005 – 2006

EROSION CONTROL – LOCATION MAP



APPENDIX G

HYDROLOGIC REPORT 2005 – 2006

WATER CONSERVATION – SUMMARY – DPW FACILITIES

WATER CONSERVATION – SUMMARY – DPW FACILITIES

BEN LOMOND

	Type	SHALLOW
	Season First Used	1958-59
Area	Gross	24 ACRES
	Wetted	17 ACRES
Capacities	Channel**	9,000 CFS
	Intakes	400 CFS
	Storage	168 AF
	Percolation*	30 CFS
	Location	BOTH NORTH AND SOUTH SIDES OF SAN DIMAS WASH CHANNEL AT SOUTHWESTERLY CORNER OF INTERSECTION OF ARROW HIGHWAY AND BARRANCA AVENUE.
	Source of Water	COVINA IRRIGATING COMPANY, UNCONTROLLED RUNOFF, IMPORTED.
	Remarks	SPREADING GROUNDS UTILIZED TO CONSERVE EXCESS COVINA IRRIGATION COMPANY WATER RELEASED FROM THE COMMITTEE OF NINE.
		* THE CAPACITY LISTED IS ESTIMATES OF INFILTRATION RATES.
		** DESIGN CAPACITY OF MAIN CHANNEL.

BIG DALTON

	Type	SHALLOW
	Season First Used	1930-31
Area	Gross	24 ACRES
	Wetted	8 ACRES
Capacities	Channel**	5,000 CFS
	Intakes	45 CFS
	Storage	12 AF
	Percolation*	12 CFS
	Location	WESTERLY SIDE OF BIG DALTON WASH, ONE HALF MILE ABOVE SIERRA MADRE AVENUE.
	Source of Water	CONTROLLED FLOWS FROM BIG DALTON DAM AND BIG DALTON DEBRIS BASIN.
	Remarks	
		* THE CAPACITY LISTED IS ESTIMATES OF INFILTRATION RATES.
		** DESIGN CAPACITY OF MAIN CHANNEL.

BRANFORD

	Type	DEEP
	Season First Used	1956-57
Area	Gross	12 ACRES
	Wetted	7 ACRES
Capacities	Channel**	1,540 CFS
	Intakes	1,540 CFS
	Storage	137 AF
	Percolation*	1 CFS
	Location	SOUTHWESTERLY OF ARLETA AVENUE ABOVE CONFLUENCE OF TUJUNGA WASH AND PACOIMA DIVERSION CHANNEL.
	Source of Water	UNCONTROLLED FLOWS FROM BRANFORD STREET DRAIN.
	Remarks	INSTREAM SPREADING FACILITY. OUTLET CAPACITY 1,540 CFS TO PACOIMA DIVERSION CHANNEL.
		* THE CAPACITY LISTED IS ESTIMATES OF INFILTRATION RATES.
		** DESIGN CAPACITY OF MAIN CHANNEL.

WATER CONSERVATION – SUMMARY – DPW FACILITIES

BUENA VISTA

	Type	DEEP
	Season First Used	1954-55
Area	Gross	10 ACRES
	Wetted	6 ACRES
Capacities	Channel**	2,900 CFS
	Intakes	2,900 CFS
	Storage	177 AF
	Percolation*	6 CFS
	Location	1.0 MILE EASTERLY OF SAWPIT WASH. 0.5 MILE NORTHERLY OF ARROW HIGHWAY, BETWEEN MERIDIAN STREET AND BUENA VISTA CHANNEL.
	Source of Water	CONTROLLED FLOW FROM SANTA FE DAM AND UNCONTROLLED FLOW FROM BUENA VISTA CHANNEL.
	Remarks	INSTREAM SPREADING FACILITY. TOTAL OUTLET CAPACITY OF 270 CFS.
		* THE CAPACITY LISTED IS ESTIMATES OF INFILTRATION RATES.
		** DESIGN CAPACITY OF MAIN CHANNEL.

CITRUS

	Type	SHALLOW
	Season First Used	1960-61
Area	Gross	19 ACRES
	Wetted	15 ACRES
Capacities	Channel**	11,000 CFS
	Intakes	245 CFS
	Storage	80 AF
	Percolation*	28 CFS
	Location	SOUTH SIDE OF BIG DALTON WASH BETWEEN CITRUS AND CERRITOS AVENUES.
	Source of Water	CONTROLLED FLOWS FROM BIG DALTON DAM AND LITTLE DALTON DEBRIS DAMS. UNCONTROLLED FLOWS FROM BIG DALTON WASH.
	Remarks	THERE ARE 2 INTAKES, ONE IS A DROP INLET, THE OTHER AN AIR INFLATED RUBBER DAM.
		* THE CAPACITY LISTED IS ESTIMATES OF INFILTRATION RATES.
		** DESIGN CAPACITY OF MAIN CHANNEL.

DOMINGUEZ GAP

	Type	DEEP
	Season First Used	1957-58
Area	Gross	54 ACRES
	Wetted	24 ACRES
Capacities	Channel**	146,000 CFS
	Intakes	20 CFS
	Storage	234 AF
	Percolation*	1 CFS
	Location	SOUTH OF DEL AMO BOULEVARD AND BORDERS THE EASTERN AND WESTERN SIDES OF THE LOS ANGELES RIVER
	Source of Water	CONTROLLED FLOW FROM LOS ANGELES RIVER LOW FLOW CHANNEL AND UNCONTROLLED FLOWS FROM STORM DRAINS.
	Remarks	EAST SIDE BASIN USED FOR FLOOD REGULATION WITH SOME CONSERVATION STORAGE. INTAKE CAPACITY IS 20 CFS FOR LOW FLOW DIVERSION FROM THE LOS ANGELES RIVER. THE WEST SIDE BASIN IS FED BY A 24-INCH CONCRETE PIPE FROM THE EAST SIDE BASIN.
		* THE CAPACITY LISTED IS ESTIMATES OF INFILTRATION RATES.
		** DESIGN CAPACITY OF MAIN CHANNEL.

WATER CONSERVATION – SUMMARY – DPW FACILITIES

EATON BASIN

	Type	DEEP
	Season First Used	1956-57
Area	Gross	16 ACRES
	Wetted	10 ACRES
Capacities	Channel**	9,500 CFS
	Intakes	400 CFS
	Storage	284 AF
	Percolation*	10 CFS
Location	EAST SIDE OF EATON WASH, NORTH OF DUARTE ROAD, 0.6 MILES SOUTH OF HUNTINGTON DRIVE.	
Source of Water	CONTROLLED FLOW FROM EATON WASH DAM AND UNCONTROLLED FLOWS BETWEEN DAM AND SPREADING BASIN.	
Remarks		
	*	THE CAPACITY LISTED IS ESTIMATES OF INFILTRATION RATES.
	**	DESIGN CAPACITY OF MAIN CHANNEL.

EATON WASH

	Type	DEEP & SHALLOW
	Season First Used	1947-48
Area	Gross	28 ACRES
	Wetted	25 ACRES
Capacities	Channel**	6,600 CFS
	Intakes	200 CFS
	Storage	525 AF
	Percolation*	14 CFS
Location	EASTERLY SIDE OF EATON WASH FROM BELOW EATON DAM TO FOOTHILL BOULEVARD.	
Source of Water	CONTROLLED FLOW FROM EATON WASH DAM. IMPORTED WATER CAN BE SPREAD IN STRIP BASINS.	
Remarks		
	*	THE CAPACITY LISTED IS ESTIMATES OF INFILTRATION RATES.
	**	DESIGN CAPACITY OF MAIN CHANNEL.

FORBES

	Type	SHALLOW
	Season First Used	1964-65
Area	Gross	21 ACRES
	Wetted	10 ACRES
Capacities	Channel**	9,000 CFS
	Intakes	100 CFS
	Storage	87 AF
	Percolation*	5 CFS
Location	SOUTH SIDE OF SAN DIMAS WASH BETWEEN LONE HILL AVENUE AND VALLEY CENTER AVENUE.	
Source of Water	CONTROLLED RELEASES FROM PUDDINGSTONE DIVERSION DAM, AND UNCONTROLLED FLOWS FROM SAN DIMAS WASH; ALSO IMPORTED .	
Remarks		
	*	THE CAPACITY LISTED IS ESTIMATES OF INFILTRATION RATES.
	**	DESIGN CAPACITY OF MAIN CHANNEL.

WATER CONSERVATION – SUMMARY – DPW FACILITIES

HANSEN

	Type	SHALLOW
	Season First Used	1944-45
Area	Gross	156 ACRES
	Wetted	105 ACRES
Capacities	Channel**	22,000 CFS
	Intakes	400 CFS
	Storage	279 AF
	Percolation*	150 CFS
	Location	NORTHWESTERLY SIDE OF TUJUNGA WASH FROM ABOVE GLENOAKS BOULEVARD SOUTHWESTERLY TO SAN FERNANDO ROAD.
	Source of Water	CONTROLLED FLOWS FROM HANSEN DAM AND BIG TUJUNGA DAM.
	Remarks	
		* THE CAPACITY LISTED IS ESTIMATES OF INFILTRATION RATES.
		** DESIGN CAPACITY OF MAIN CHANNEL.

IRWINDALE/MANNING PIT

	Type	DEEP
	Season First Used	1958-59
Area	Gross	62 ACRES
	Wetted	30 ACRES
Capacities	Channel**	25,500 CFS
	Intakes	400 CFS
	Storage	1,134 AF
	Percolation*	60 CFS
	Location	NORTHEASTERLY OF INTERSECTION OF BIG DALTON CHANNEL AND IRWINDALE AVENUE; CONTINUES 1,300 FEET EAST OF IRWINDALE VENUE
	Source of Water	BIG DALTON CHANNEL CONTROLLED FLOWS FROM BIG AND LITTLE DALTON DEBRIS DAMS AND PUDDINGSTONE DIVERSION DAM; UNCONTROLLED FLOWS; ALSO IMPORTED RELEASES .
	Remarks	IRWINDALE CLEANED OUT SUMMER OF 1996.
		* THE CAPACITY LISTED IS ESTIMATES OF INFILTRATION RATES.
		** DESIGN CAPACITY OF MAIN CHANNEL.

LITTLE DALTON

	Type	SHALLOW
	Season First Used	1931-32
Area	Gross	14 ACRES
	Wetted	5 ACRES
Capacities	Channel**	8,600 CFS
	Intakes	20 CFS
	Storage	5 AF
	Percolation*	15 CFS
	Location	WESTERLY OF GLENDORA MT. ROAD FROM LITTLE DALTON DEBRIS BASIN SOUTH TO EAST PALM DRIVE.
	Source of Water	CONTROLLED FLOW FROM LITTLE DALTON DEBRIS BASIN AND IMPORTED WATER. (IMPORTED WATER DELIVERY COMMENCED IN OCTOBER 1995).
	Remarks	
		* THE CAPACITY LISTED IS ESTIMATES OF INFILTRATION RATES.
		** DESIGN CAPACITY OF MAIN CHANNEL.

WATER CONSERVATION – SUMMARY – DPW FACILITIES

LIVE OAK

	Type	SHALLOW
	Season First Used	1961-62
Area	Gross	5 ACRES
	Wetted	2 ACRES
Capacities	Channel**	2,600 CFS
	Intakes	15 CFS
	Storage	2 AF
	Percolation*	13 CFS
	Location	WESTERLY SIDE OF LIVE OAK WASH. NORTH OF BASE LINE ROAD (PROJECTED).
	Source of Water	CONTROLLED FLOW FROM LIVE OAK DAM AND LIVE OAK DEBRIS BASIN
	Remarks	
		* THE CAPACITY LISTED IS ESTIMATES OF INFILTRATION RATES.
		** DESIGN CAPACITY OF MAIN CHANNEL.

LOPEZ

	Type	SHALLOW
	Season First Used	1956-57
Area	Gross	18 ACRES
	Wetted	12 ACRES
Capacities	Channel**	11,000 CFS
	Intakes	25 CFS
	Storage	24 AF
	Percolation*	15 CFS
	Location	SOUTHEASTERLY SIDE OF PACOIMA WASH, NORTHEASTERLY OF FOOTHILL BOULEVARD.
	Source of Water	CONTROLLED FLOW FROM PACOIMA DAM AND LOPEZ FLOOD CONTROL BASIN
	Remarks	
		* THE CAPACITY LISTED IS ESTIMATES OF INFILTRATION RATES.
		** DESIGN CAPACITY OF MAIN CHANNEL.

PACOIMA

	Type	SHALLOW
	Season First Used	1932-33
Area	Gross	169 ACRES
	Wetted	107 ACRES
Capacities	Channel**	17,000 CFS
	Intakes	600 CFS
	Storage	440 AF
	Percolation*	65 CFS
	Location	BOTH SIDES OF OLD PACOIMA WASH CHANNEL FROM ARLETA AVENUE SOUTHWESTERLY TO WOODMAN AVENUE.
	Source of Water	CONTROLLED FLOW FROM PACOIMA DAM. PARTIALLY CONTROLLED FLOW FROM LOPEZ FLOOD CONTROL BASIN, UNCONTROLLED FLOW FROM EAST CANYON AND PACOIMA WASH AND IMPORTED WATER.
	Remarks	
		* THE CAPACITY LISTED IS ESTIMATES OF INFILTRATION RATES.
		** DESIGN CAPACITY OF MAIN CHANNEL.

WATER CONSERVATION – SUMMARY – DPW FACILITIES

PECK ROAD

	Type	DEEP
	Season First Used	1959-60
Area	Gross	157 ACRES
	Wetted	105 ACRES
Capacities	Channel**	30,100 CFS
	Intakes	30,100 CFS
	Storage	3,347 AF
	Percolation*	25 CFS
Location	CONFLUENCE OF SAWPIT AND SANTA ANITA WASHES.	
Source of Water	CONTROLLED RELEASES FROM SANTA ANITA AND SAWPIT DEBRIS BASINS AND UNCONTROLLED FLOWS FROM LOCAL RUNOFF VIA SAWPIT AND SANTA ANITA WASHES.	
Remarks	INSTREAM SPREADING FACILITY.	
	*	THE CAPACITY LISTED IS ESTIMATES OF INFILTRATION RATES.
	**	DESIGN CAPACITY OF MAIN CHANNEL.

RIO HONDO COASTAL

	Type	SHALLOW
	Season First Used	1937-38
Area	Gross	570 ACRES
	Wetted	430 ACRES
Capacities	Channel**	40,000 CFS
	Intakes	1,950 CFS
	Storage	3,694 AF
	Percolation*	400 CFS
Location	EASTERLY SIDE OF RIO HONDO SOUTHERLY FROM S. P. R. R. (SOUTH OF WHITTIER BLVD.) TO SLAUSON AVENUE; WEST SIDE OF RIO HONDO CHANNEL FROM 0.2 MILE ABOVE WHITTIER BOULEVARD SOUTH TO FOSTER BRIDGE BOULEVARD.	
Source of Water	CONTROLLED RELEASES FROM SAN GABRIEL CANYON DAMS, SANTA FE AND WHITTIER NARROWS DAMS. UNCONTROLLED RUNOFF VIA SAN GABRIEL RIVER, RIO HONDO CHANNEL AND THEIR TRIBUTARIES; ALSO IMPORTED AND RECLAIMED WATER.	
Remarks	IN COOPERATION WITH THE CORPS OF ENGINEERS. THE DISTRICT OPERATES 1,200 ACRE-FOOT POOL AT WHITTIER NARROWS DAM FOR RETENTION OF STORM WATER.	
	*	THE CAPACITY LISTED IS ESTIMATES OF INFILTRATION RATES.
	**	DESIGN CAPACITY OF MAIN CHANNEL.

S.G. RIVER (MONTEBELLO FOREBAY)

	Type	SHALLOW
	Season First Used	1954-55
Area	Gross	308 ACRES
	Wetted	308 ACRES
Capacities	Channel**	20,000 CFS
	Intakes	In river Percolation
	Storage	913 AF
	Percolation*	75 CFS
Location	HEADWORKS TO FIRESTONE AVE. ONLY. STORAGE BEHIND THE SEVEN RUBBER DAMS INSTALLED ON DROP STRUCTURE.	
Source of Water	SAME AS SAN GABRIEL COASTAL.	
Remarks		
	*	THE CAPACITY LISTED IS ESTIMATES OF INFILTRATION RATES.
	**	DESIGN CAPACITY OF MAIN CHANNEL.

WATER CONSERVATION – SUMMARY – DPW FACILITIES

S.G. RIVER (SAN GABRIEL VALLEY)

	Type	
	Season First Used	1965-66
Area	Gross	196 ACRES
	Wetted	196 ACRES
Capacities	Channel**	41,000-98,000 CFS
	Intakes	In river Percolation
	Storage	0 AF
	Percolation*	180 CFS
	Location	SAN GABRIEL RIVER FROM SANTA FE DAM TO WHITTIER NARROWS DAM.
	Source of Water	CONTROLLED FLOW FROM DAMS IN SAN GABRIEL CANYON, SANTA FE DAM AND UNCONTROLLED VALLEY RUNOFF BELOW SANTA FE DAM; ALSO IMPORTED WATER.
	Remarks	
		* THE CAPACITY LISTED IS ESTIMATES OF INFILTRATION RATES.
		** DESIGN CAPACITY OF MAIN CHANNEL.

SAN DIMAS CANYON

	Type	SHALLOW
	Season First Used	1965-66
Area	Gross	22 ACRES
	Wetted	11 ACRES
Capacities	Channel**	7,000 CFS
	Intakes	25 CFS
	Storage	22 AF
	Percolation*	12 CFS
	Location	SOUTHEAST SIDE OF SAN DIMAS WASH BETWEEN PUDDINGSTONE DIVERSION AND SAN DIMAS CANYON ROAD.
	Source of Water	CONTROLLED RELEASES FROM PUDDINGSTONE DIVERSION DAM; UNCONTROLLED FLOW FROM LOCAL STORM RUNOFF.
	Remarks	
		* THE CAPACITY LISTED IS ESTIMATES OF INFILTRATION RATES.
		** DESIGN CAPACITY OF MAIN CHANNEL.

SAN GABRIEL CANYON

	Type	DEEP
	Season First Used	1917
Area	Gross	165 ACRES
	Wetted	140 ACRES
Capacities	Channel**	98,000 CFS
	Intakes	150 CFS
	Storage	8,170 AF
	Percolation*	50 CFS
	Location	EASTERLY SIDE OF SAN GABRIEL RIVER. BELOW MOUTH OF SAN GABRIEL CANYON. NORTH OF THE CITY OF AZUSA.
	Source of Water	SAN GABRIEL RIVER CONTROLLED RELEASES FROM COGSWELL DAM, SAN GABRIEL DAM, AND MORRIS DAM. COMMITTEE OF NINE SURPLUS FLOWS AND IMPORTED WATER.
	Remarks	THERE ARE 2 INTAKES TO THIS FACILITY, ONE IS FED FROM SURPLUS 'COMMITTEE OF NINE' FLOWS, THE OTHER IS FROM THE RIVER INTO BASIN NO. 2.
		* THE CAPACITY LISTED IS ESTIMATES OF INFILTRATION RATES.
		** DESIGN CAPACITY OF MAIN CHANNEL.

WATER CONSERVATION – SUMMARY – DPW FACILITIES

SAN GABRIEL COASTAL

	Type	SHALLOW
	Season First Used	1938-39
Area	Gross	128 ACRES
	Wetted	96 ACRES
Capacities	Channel**	20,000 CFS
	Intakes	350 CFS
	Storage	550 AF
	Percolation*	75 CFS
	Location	WESTERLY SIDE OF SAN GABRIEL RIVER, SOUTHERLY FROM WHITTIER BOULEVARD TO WASHINGTON BOULEVARD.
	Source of Water	CONTROLLED RELEASES FROM SAN GABRIEL CANYON DAMS, SANTA FE AND WHITTIER NARROWS DAMS. ALSO IMPORTED AND RECLAIMED WATER.
	Remarks	
		* THE CAPACITY LISTED IS ESTIMATES OF INFILTRATION RATES.
		** DESIGN CAPACITY OF MAIN CHANNEL.

SANTA ANITA

	Type	SHALLOW
	Season First Used	1944-45
Area	Gross	20 ACRES
	Wetted	8 ACRES
Capacities	Channel**	12,000 CFS
	Intakes	20 CFS
	Storage	25 AF
	Percolation*	5 CFS
	Location	WESTERLY SIDE OF SANTA ANITA WASH 1.25 MILES ABOVE FOOTHILL BOULEVARD.
	Source of Water	CONTROLLED FLOW FROM SANTA ANITA DAM AND SANTA ANITA DEBRIS BASIN.
	Remarks	THE HEADWORKS LOCATED UPSTREAM OF THE DEBRIS BASIN DIVERTS WATER TO SANTA ANITA SPREADING GROUNDS AND CITY OF SIERRA MADRE SPREADING GROUNDS
		* THE CAPACITY LISTED IS ESTIMATES OF INFILTRATION RATES.
		** DESIGN CAPACITY OF MAIN CHANNEL.

SANTA FE

	Type	SHALLOW
	Season First Used	1953-54
Area	Gross	338 ACRES
	Wetted	168 ACRES
Capacities	Channel**	98,000 CFS
	Intakes	600 CFS
	Storage	540 AF
	Percolation*	400 CFS
	Location	WITHIN SANTA FE DAM RESERVOIR AND SPILLWAY AREAS.
	Source of Water	CONTROLLED FLOWS FROM SAN GABRIEL CANYON RESERVOIRS. UNCONTROLLED FLOWS FROM SAN GABRIEL RIVER BELOW MORRIS RESERVOIR; ALSO IMPORTED WATER.
	Remarks	NEW DIVERSION HEADWORKS STRUCTURE CONSTRUCTED, CONSISTING OF A NEW RUBBER DAM AND 2 INTAKES GATES.
		* THE CAPACITY LISTED IS ESTIMATES OF INFILTRATION RATES.
		** DESIGN CAPACITY OF MAIN CHANNEL.

WATER CONSERVATION – SUMMARY – DPW FACILITIES

SAWPIT

	Type	SHALLOW
	Season First Used	1946-47
Area	Gross	12 ACRES
	Wetted	4 ACRES
Capacities	Channel**	5,000 CFS
	Intakes	30 CFS
	Storage	13 AF
	Percolation*	12 CFS
	Location	WESTERLY SIDE OF SAWPIT WASH BELOW MOUTH OF CANTON NEAR NORUMBEGA DRIVE, MONROVIA.
	Source of Water	CONTROLLED FLOWS FROM SAWPIT DAM AND SAWPIT DEBRIS BASIN.
	Remarks	
		* THE CAPACITY LISTED IS ESTIMATES OF INFILTRATION RATES.
		** DESIGN CAPACITY OF MAIN CHANNEL.

VALLY BLVD. RUBBER DAM

	Type	SHALLOW
	Season First Used	1994-95
Area	Gross	60 ACRES
	Wetted	60 ACRES
Capacities	Channel**	60,000 CFS
	Intakes	In river Percolation
	Storage	400 AF
	Percolation*	0 CFS
	Location	DROP STRUCTURE SOUTH OF VALLY BLVD, AT THE CONFLUENCE OF THE SAN GABRIEL RIVER AND WALNUT CREEK.
	Source of Water	SAME AS FORBES AND IRWINDALE/MANNING PIT CAN ALSO RECEIVE RELEASE FROM SAN GABRIEL CANYON RERSERVOIRS AND IMPORTED WATER.
	Remarks	
		* THE CAPACITY LISTED IS ESTIMATES OF INFILTRATION RATES.
		** DESIGN CAPACITY OF MAIN CHANNEL.

WALNUT

	Type	DEEP
	Season First Used	1962-63
Area	Gross	16 ACRES
	Wetted	8 ACRES
Capacities	Channel**	8,000 CFS
	Intakes	150 CFS
	Storage	170 AF
	Percolation*	5 CFS
	Location	WEST SIDE OF WALNUT WASH, NORTH OF SAN BERNARDINO FREEWAY.
	Source of Water	CONTROLLED FLOW FROM PUDDINGSTONE DAM AND UNCONTROLLED FLOWS FROM WALNUT CREEK.
	Remarks	BASIN CLEANED OUT SUMMER OF 1995.
		* THE CAPACITY LISTED IS ESTIMATES OF INFILTRATION RATES.
		** DESIGN CAPACITY OF MAIN CHANNEL.

APPENDIX H

HYDROLOGIC REPORT 2005 – 2006

WATER CONSERVATION – SUMMARY – NON DPW FACILITIES

WATER CONSERVATION – SUMMARY – NON DPW FACILITIES

FISH CANYON (COMMITTEE OF NINE)

Type SHALLOW BASINS
Season First Used ABOUT 1917
Area **Gross** 6 ACRES
 Wetted 4.0 ACRES
Capacities **Channel**** CFS
 Intakes CFS
 Storage AF
 Percolation* 7 CFS
Location WESTERLY SIDE OF SAN GABRIEL RIVER BELOW MOUTH OF FISH CANYON AND NORTH OF THE CITY OF AZUSA.
Source of Water THE 'COMMITTEE OF NINE'.
Remarks OWNED AND OPERATED BY CAL-AMERICAN WATER COMPANY.
 * THE CAPACITY LISTED IS ESTIMATES OF INFILTRATION RATES.
 ** DESIGN CAPACITY OF MAIN CHANNEL.

SIERRA MADRE (CITY OF SIERRA MADRE)

Type SHALLOW BASINS
Season First Used ABOUT 1933
Area **Gross** 22 ACRES
 Wetted 9.0 ACRES
Capacities **Channel**** CFS
 Intakes 25 CFS
 Storage 47 AF
 Percolation* 15 CFS
Location CITY OF SIERRA MADRE, SOUTH SIDE OF GRANDVIEW AVENUE, ONE HALF MILE WEST OF SANTA ANITA AVENUE.
Source of Water LITTLE SANTA ANITA CREEK AND STREET RUNOFF ALSO CONTROLLED FLOWS FROM SANTA ANITA DAM.
Remarks THE DEPARTMENT DIVERTS WATER TO THIS FACILITY VIA SANTA ANITA HEADWORKS.
 * THE CAPACITY LISTED IS ESTIMATES OF INFILTRATION RATES.
 ** DESIGN CAPACITY OF MAIN CHANNEL.

THOMPSON CREEK POMONA VALLEY PROTECTIVE ASSOCIATION

Type DITCHES CHECKS AND DEEP BASIN
Season First Used ABOUT 1928
Area **Gross** 53 ACRES
 Wetted 37.0 ACRES
Capacities **Channel**** CFS
 Intakes 35 CFS
 Storage AF
 Percolation* 15 CFS
Location SOUTHERLY FROM, AND ADJACENT TO THOMPSON CREEK DAM, EAST SIDE OF CREEK
Source of Water COBAL, WILLIAMS, PALMER, AND PADUA CREEKS, ALSO THOMPSON CREEK, WHEN RESERVOIR ABOVE ELEVATION 1,625.
Remarks OPERATED BY POMONA VALLEY PROTECTIVE ASSOCIATION. THE DEPARTMENT DIVERTS WATER TO THIS FACILITY VIA THE PALMER DIVERSION.
 * THE CAPACITY LISTED IS ESTIMATES OF INFILTRATION RATES.
 ** DESIGN CAPACITY OF MAIN CHANNEL.

WATER CONSERVATION – SUMMARY – NON DPW FACILITIES

TUJUNGA (L.A. CITY DEPT. OF WATER AND POWER)

	Type	SHALLOW BASINS
	Season First Used	ABOUT 1931-32
Area	Gross	188 ACRES
	Wetted	83.2 ACRES
Capacities	Channel**	22000.0 CFS
	Intakes	400 CFS
	Storage	100 AF
	Percolation*	120 CFS
	Location	SAN FERNANDO VALLEY, EAST SIDE OF TUJUNGA WASH AT ROSCOE BOULEVARD
	Source of Water	CONTROLLED RELEASES FROM BIG TUJUNGA CAM, HANSEN DAM AND UNCONTROLLED RUNOFF FROM STORM DRAINS, ALSO IMPORTED WATER.
	Remarks	THE DEPARTMENT HAS AN AGREEMENT WITH THE CITY OF LOS ANGELES TO OPERATE THIS FACILITY.
		* THE CAPACITY LISTED IS ESTIMATES OF INFILTRATION RATES.
		** DESIGN CAPACITY OF MAIN CHANNEL.

APPENDIX I

HYDROLOGIC REPORT 2005 – 2006

WATER CONSERVATION – SUMMARY – WATER CONSERVED

WATER CONSERVATION – SUMMARY – WATER CONSERVED

Los Angeles County Department of Public Works
Total Monthly Water Conserved (acre-feet) during Water Year 2005-2006

AREA	SPREADING FACILITY	OCT	NOV	DEC	JAN	FEB	MAR	APR	MAY	JUN	JUL	AUG	SEP	ACC TOT	Historic Average	Historic High	
																Amnt	Wtr Yr
San Fernando Valley Facilities	Brandford	76	21	51	54	76	82	43	60	25	31	29	28	576	400	1,448	2004-05
	Hansen	1,240	1,680	981	2,890	544	3,220	4,420	2,320	1,264	831	784	666	20,840	10,897	35,221	1982-83
	Lopez	+	88	68	+	+	+	316	277	153	9	47	0	958	568	1,938	1967-68
	Pacoima	225	0	133	848	470	1,550	2,790	1,330	0	0	0	0	7,346	4,956	22,973	1982-83
	Tujunga*	30	4	470	639	1,660	3,840	3,680	436	0	0	0	0	10,759	9,384	42,817	1982-83
	Tujunga Wash	87	194	142	474	314	941	1,354	374	153	50	36	17	4,136	N/A	N/A	N/A
	SUBTOTAL1	1,658	1,987	1,845	4,905	3,064	9,633	12,603	4,797	1,595	921	896	711	44,615	26,205		
San Gabriel Valley Facilities	Ben Lomond	231	124	279	33	92	107	726	712	1,433	0	0	184	3,921	2,969	8,160	2004-05
	Big Dalton	0	44	0	84	0	0	641	410	87	204	88	0	1,558	658	3,766	1966-67
	Buena Vista	13	13	6	6	11	29	48	1,298	6	18	15	18	1,481	665	2,731	1957-58
	Citrus	109	39	96	154	155	226	559	254	219	278	242	123	2,454	874	6,478	1994-95
	Eaton Basin	160	49	106	273	285	331	245	175	208	269	290	309	2,700	1,008	3,481	1982-83
	Eaton Grounds	0	+	0	144	0	316	736	48	0	0	0	0	1,244	962	4,761	1982-83
	Forbes	54	39	111	0	82	+	155	132	40	0	50	0	663	823	2,628	1986-87
	Irwindale	771	448	803	95	336	331	765	738	1,040	42	834	704	6,907	5,162	41,280	1991-92
	Little Dalton	0	0	310	48	0	0	0	0	0	0	0	0	358	422	5,546	1995-96
	Live Oak	85	78	86	72	0	0	190	107	0	0	0	0	618	221	1,660	1982-83
	Peck Road	376	277	243	387	289	470	696	634	300	288	236	250	4,446	7,925	50,026	1982-83
	San Dimas Canyon	155	52	105	261	87	128	571	408	296	168	268	73	2,572	1,919	6,049	1982-83
	San Gabriel Canyon	3,100	2,650	2,420	2,450	1,790	2,280	2,240	3,770	2,620	2,780	3,360	3,420	32,880	10,699	33,577	2002-03
	Santa Anita	30	34	25	79	41	128	152	101	60	20	8	4	682	487	1,641	1965-66
	Santa Fe SG	4,300	8,030	5,453	4,380	5,600	9,160	12,951	14,670	1,712	2,287	461	625	69,629	26,547	124,478	1982-83
	Sawpit	133	35	37	93	1	43	170	153	95	74	50	0	884	781	2,926	1982-83
	Walnut	249	221	5	0	38	344	322	248	183	170	133	122	2,035	1,220	3,261	2004-05
	Sierra Madre*	100	135	97	296	215	314	408	279	103	26	55	32	2,060	1,765	5,003	1966-67
	Fish Canyon*	594	547	486	452	400	389	546	392	698	636	646	631	6,417	6,142	9,737	1978-79
S.G. River Perc. Reach from Morris Dam to W.N. Dam	Morris Dam to Sta. F190		2,285	4,463	2,796	2,871	2,169	5,018	7,237	2,528	2,389	1,607	2,115	39,170	21,906	119,600	1977-78
	Sta. F190 to Santa Fe Dam O/F	1,436	889	1,736	1,087	1,117	844	1,951	2,815	983	929	625	822	15,234	13,933	141,600	1968-69
	Santa Fe Dam O/F to Sta. F263	319	5,497	3,892	1,828	1,800	1,725	1,575	5,512	2,192	3,022	2,381	1,502	31,245	18,731	103,347	2004-05
	SUBTOTAL2	15,907	21,486	20,759	15,018	15,210	19,334	30,665	40,093	14,803	13,600	11,349	10,934	229,158	125,819		
Coastal Plain Facilities	Rio Hondo Coastal	1,496	0	997	2,814	7,362	15,290	11,360	6,339	4,040	6,109	6,456	0	62,263	65,404	96,363	1978-79
	Whittier Narrows Reservoir	1,828	898	1,904	1,669	5,276	2,686	4,882	1,311	1,343	704	1,272	192	23,965	30,591	102,610	1991-92
	San Gabriel Coastal	4,220	3,444	6,778	6,579	5,959	5,078	5,059	3,391	2,262	1,564	3,264	1,802	49,400	30,247	81,586	1992-93
	Dominguez Gap	21	13	0	46	39	15	1	0	0	0	0	0	135	575	2,414	1961-62
	SUBTOTAL3	7,565	4,355	9,679	11,108	18,636	23,069	21,302	11,041	7,645	8,377	10,992	1,994	135,763	126,817		
Total Water Conserved		25,130	27,828	32,283	31,031	36,910	52,036	64,570	55,931	24,043	22,898	23,237	13,639	409,536	278,841		

NOTES: * : Owned by other entities.
e Estimated.
+ Less than One AF.
¥ Reach from below Big Tujunga to Hansen Dam.

APPENDIX J

HYDROLOGIC REPORT 2005 – 2006

WATER CONSERVATION – SUMMARY – IMPORTED WATER

WATER CONSERVATION – SUMMARY – IMPORTED WATER

IMPORTED WATER OUTLET RELEASES: *Water Delivered in Acre-Feet*

	San Dimas	Thompson Creek	Alhambra	USG 3		TVMWD	SGVMWD						Waste to Ocean	Monthly Total Spread
	CB48	CB28	CB36	MSGB/ Santa Fe	S.G. Cyn. S.G.	PM26	S.G. Cyn		Beatty Cyn	San Dimas				
							Basin 1	MSGB		CB	MSGB	Forbes		
OCT	0.0	0.0	0.0	3,010.0	1,839.0	0.0	1,262.0	1,849.0	0.0	0.0	0.0	0.0	0.0	8,808.0
NOV	0.0	1,322.0	0.0	5,525.0	2,072.0	0.0	579.0	2,317.0	0.0	0.0	0.0	0.0	0.0	12,159.0
DEC	0.0	3,543.0	0.0	7,830.0	2,157.0	310.0	595.0	305.0	0.0	0.0	706.0	111.0	0.0	15,644.0
JAN	0.0	3,459.0	0.0	6,304.0	1,936.0	47.0	0.0	0.0	0.0	0.0	0.0	0.0	0.0	11,818.0
FEB	3,095.5	3,623.8	0.0	5,599.8	1,834.1	47.3	0.0	0.0	1,207.0	0.0	0.0	0.0	0.0	15,479.9
MAR	3,108.0	0.0	0.0	7,225.0	2,276.0	0.0	0.0	0.0	1,547.0	0.0	0.0	0.0	0.0	14,156.0
APR	0.0	0.0	0.0	917.0	0.0	0.0	0.0	0.0	0.0	0.0	5.0	0.0	0.0	1,454.0
MAY	0.0	1,070.0	0.0	985.0	0.0	0.0	0.0	0.0	0.0	0.0	76.0	0.0	0.0	3,436.0
JUN	0.0	3,078.0	0.0	0.0	0.0	0.0	79.2	0.0	0.0	0.0	2,275.0	40.0	0.0	5,639.2
JUL	0.0	3,945.9	0.0	0.0	0.0	0.0	59.4	0.0	2,985.6	0.0	0.0	0.0	0.0	7,198.9
AUG	318.4	6,665.5	0.0	0.0	0.0	0.0	959.0	0.0	997.6	0.0	719.1	0.0	0.0	9,867.9
SEP	0.0	0.0	0.0	981.6	0.0	0.0	1,194.3	0.0	1,301.0	0.0	656.2	0.0	0.0	4,249.3
TOTAL	6,521.9	26,707.2	0.0	38,377.4	12,114.1	404.3	4,727.9	4,471.0	8,038.2	0.0	4,437.3	151.0	0.0	109,910.2

APPENDIX K

HYDROLOGIC REPORT 2005 – 2006

WATER CONSERVATION – SUMMARY – RECLAIMED WATER

WATER CONSERVATION – SUMMARY – RECLAIMED WATER

RECLAIMED WATER : *Water Delivered in Acre-Feet*

	WHITTIER NARROWS PLANT				SAN JOSE PLANT				POMONA PLANT				MONTHLY TOTAL WASTED	MONTHLY TOTAL SPREAD
	Delivered		Wasted	Monthly Spread	Delivered		Wasted	Monthly Spread	Delivered		Wasted	Monthly Spread		
	Rio Hondo	San Gabriel			Rio Hondo	San Gabriel			Rio Hondo	San Gabriel				
OCT	515.4	195.8	59.3	651.9	0.0	1,683.8	110.1	1,573.7	0.0	240.0	26.0	214.0	195.4	2,439.6
NOV	674.1	0.0	0.0	674.1	0.0	2,363.2	0.0	2,363.2	0.0	261.7	0.0	261.7	0.0	3,299.0
DEC	707.8	0.0	26.1	681.7	0.0	2,404.6	71.6	2,333.0	0.0	398.6	24.8	373.9	122.5	3,388.5
JAN	699.9	0.0	0.0	699.9	0.0	2,470.5	181.4	2,289.1	0.0	509.3	58.5	450.8	239.9	3,439.8
FEB	559.0	19.2	22.5	555.7	854.7	1,426.8	86.9	2,194.6	112.6	197.1	30.4	279.4	139.8	3,029.7
MAR	422.2	273.2	25.0	670.4	1,712.6	1,795.6	70.2	3,438.1	234.8	248.8	0.0	483.6	95.1	4,592.1
APR	675.8	0.0	103.9	571.9	2,010.8	480.4	416.0	2,075.2	235.8	60.7	42.4	254.1	562.3	2,901.3
MAY	439.3	391.1	0.0	830.4	478.3	2,168.1	0.0	2,646.4	13.4	133.8	0.0	147.3	0.0	3,624.1
JUN	268.4	586.8	0.0	855.1	1,883.6	1,331.3	0.0	3,214.9	84.4	53.2	0.0	137.6	0.0	4,207.7
JUL	489.1	442.8	0.0	931.9	2,274.1	1,025.9	0.0	3,300.0	93.6	30.7	0.0	124.3	0.0	4,356.2
AUG	788.2	124.6	0.0	912.8	2,554.7	692.6	0.0	3,247.3	118.6	2.6	0.0	121.2	0.0	4,281.3
SEP	0.0	832.3	0.0	832.3	0.0	1,550.6	0.0	1,550.6	0.0	79.6	0.0	79.6	0.0	2,462.5
TOTAL	6,239.1	2,865.8	236.7	8,868.2	11,768.9	19,393.5	936.2	30,226.2	893.3	2,216.2	182.0	2,927.4	1,355.0	42,021.8

APPENDIX L

HYDROLOGIC REPORT 2005 – 2006

WATER CONSERVATION – SUMMARY – GROUND WATER

WATER CONSERVATION – SUMMARY – GROUND WATER

GROUND WATER FLUCTUATION:**Location : Coastal Plain, City of Long Beach****Ground Surface Elevation: 26.6 ft above MSL**

STATION	460K
	WS Elev.
Jan-50	-30.1
Feb-50	-30.7
Mar-50	-27.3
Apr-50	-45.6
May-50	-41.4
Jun-50	-45.1
Jul-50	-49.6
Aug-50	-56.9
Sep-50	-51.9
Oct-50	-55.3
Nov-50	-60.7
Dec-50	-43.8
Jan-51	-49.9
Feb-51	-49.4
Mar-51	-54
Apr-51	-66.9
May-51	-57.9
Jun-51	-67.7
Jul-51	-67.1
Aug-51	-77.2
Sep-51	-70.4
Oct-51	-73.3
Nov-51	-67.6
Dec-51	-53.8
Jan-52	-46.8
Feb-52	-45.7
Mar-52	-44.7
Apr-52	-47.4
May-52	-40.3
Jun-52	-45.9
Jul-52	-62.7
Aug-52	-74
Sep-52	-76.4
Oct-52	-72.4
Nov-52	-65
Dec-52	-47.7
Jan-53	-43.2
Feb-53	-42.4

WATER CONSERVATION – SUMMARY – GROUND WATER

GROUND WATER FLUCTUATION:

Location : Coastal Plain, City of Long Beach

Ground Surface Elevation: 26.6 ft above MSL

STATION	460K
	WS Elev.
Mar-53	-49.9
Apr-53	-61.6
May-53	-60.6
Jun-53	-71.9
Jul-53	-80.9
Aug-53	-83.5
Sep-53	-78.4
Oct-53	-78.7
Nov-53	-72.3
Dec-53	-63.3
Jan-54	-58.9
Feb-54	-49
Mar-54	-58.3
Apr-54	-54.4
May-54	-61
Jun-54	-75.2
Jul-54	-80.4
Aug-54	-87.4
Sep-54	-88.9
Oct-54	-82.9
Nov-54	-74.9
Dec-54	-63.7
Jan-55	-63.6
Feb-55	-51.3
Mar-55	-59.4
Apr-55	-67.1
May-55	-59.2
Jun-55	-70.7
Jul-55	-77.7
Aug-55	-86.2
Sep-55	-93.3
Oct-55	-93.7
Nov-55	-78.7
Dec-55	-69.3
Jan-56	-72.7
Feb-56	-68.1
Mar-56	-74.7
Apr-56	-83.5

WATER CONSERVATION – SUMMARY – GROUND WATER

GROUND WATER FLUCTUATION:

Location : Coastal Plain, City of Long Beach

Ground Surface Elevation: 26.6 ft above MSL

STATION	460K
	WS Elev.
May-56	-82.3
Jun-56	-87.7
Jul-56	-90
Aug-56	-99
Sep-56	-100.8
Oct-56	-101.3
Nov-56	-97.7
Dec-56	-98.2
Jan-57	-94.6
Feb-57	-69.6
Mar-57	-65.4
Apr-57	-69.4
May-57	-87.4
Jun-57	-88.3
Jul-57	-92.5
Aug-57	-95
Sep-57	-99
Oct-57	-100
Nov-57	-85
Dec-57	-84.1
Jan-58	-76.8
Feb-58	-72.9
Mar-58	-77.5
Apr-58	-70.6
May-58	-87.5
Jun-58	-92.2
Jul-58	-95.4
Aug-58	-93.6
Sep-58	-91.7
Oct-58	-87.6
Nov-58	-84
Dec-58	-82.8
Jan-59	-78.7
Feb-59	-78.3
Mar-59	-74
Apr-59	-81.2
May-59	-82.9
Jun-59	-87.5

WATER CONSERVATION – SUMMARY – GROUND WATER

GROUND WATER FLUCTUATION:

Location : Coastal Plain, City of Long Beach

Ground Surface Elevation: 26.6 ft above MSL

STATION	460K
	WS Elev.
Jul-59	-94.2
Aug-59	-96.2
Sep-59	-98.2
Oct-59	-96.7
Nov-59	-95.2
Dec-59	-93.5
Jan-60	-83.6
Feb-60	-81.5
Mar-60	-85.8
Apr-60	-83.5
May-60	-75.3
Jun-60	-74.2
Jul-60	-76.5
Aug-60	-92.2
Sep-60	-84.2
Oct-60	-95
Nov-60	-91.3
Dec-60	-76.6
Jan-61	-74.2
Feb-61	-81.8
Mar-61	-91
Apr-61	-92.5
May-61	-81.2
Jun-61	-108.8
Jul-61	-111.7
Aug-61	-112.9
Sep-61	-113
Oct-61	-106.8
Nov-61	-101.4
Dec-61	-92.7
Jan-62	-80.7
Feb-62	-78.1
Mar-62	-74.8
Apr-62	-76.1
May-62	-92.7
Jun-62	-91.7
Jul-62	-100.1
Aug-62	-107.6

WATER CONSERVATION – SUMMARY – GROUND WATER
--

GROUND WATER FLUCTUATION:**Location : Coastal Plain, City of Long Beach****Ground Surface Elevation: 26.6 ft above MSL**

STATION	460K
	WS Elev.
Sep-62	-109.9
Oct-62	-103.9
Nov-62	-73
Dec-62	-64.4
Jan-63	-55.3
Feb-63	-50.9
Mar-63	-48.7
Apr-63	-47.3
May-63	-48.1
Jun-63	-49.3
Jul-63	-50.5
Aug-63	-63.1
Sep-63	-68.8
Oct-63	-60.4
Nov-63	-46.8
Dec-63	-33.4
Jan-64	-36.4
Feb-64	-33
Mar-64	-31.6
Apr-64	-32.6
May-64	-39.4
Jun-64	-45.9
Jul-64	-47.7
Aug-64	-52
Sep-64	-53.9
Oct-64	-50.5
Nov-64	-40.9
Dec-64	-34.7
Jan-65	-30.7
Feb-65	-30.3
Mar-65	-32.7
Apr-65	-32
May-65	-35.7
Jun-65	-40.3
Jul-65	-40.1
Aug-65	-45.8
Sep-65	-49.5
Oct-65	-44.6

WATER CONSERVATION – SUMMARY – GROUND WATER

GROUND WATER FLUCTUATION:

Location : Coastal Plain, City of Long Beach

Ground Surface Elevation: 26.6 ft above MSL

STATION	460K
	WS Elev.
Nov-65	-42
Dec-65	-30.6
Jan-66	-26
Feb-66	-24.9
Mar-66	-26.5
Apr-66	-28.8
May-66	-32.2
Jun-66	-43
Jul-66	-48.9
Aug-66	-46.8
Sep-66	-49.5
Oct-66	-45.4
Nov-66	-40.2
Dec-66	-30.1
Jan-67	-24.5
Feb-67	-21.8
Mar-67	-21.7
Apr-67	-20.4
May-67	-16.5
Jun-67	-23.2
Jul-67	-29.8
Aug-67	-41.6
Sep-67	-43.4
Oct-67	-34.5
Nov-67	-35.4
Dec-67	-30.5
Jan-68	-26.9
Feb-68	-24.4
Mar-68	-25
Apr-68	-25.5
May-68	-37.2
Jun-68	-40.9
Jul-68	-40.6
Aug-68	-46.3
Sep-68	-51.3
Oct-68	-46.6
Nov-68	-38.5
Dec-68	-34.1

WATER CONSERVATION – SUMMARY – GROUND WATER

GROUND WATER FLUCTUATION:**Location : Coastal Plain, City of Long Beach****Ground Surface Elevation: 26.6 ft above MSL**

STATION	460K
	WS Elev.
Jan-69	-30.4
Feb-69	-25.8
Mar-69	-26
Apr-69	-26
May-69	-33.9
Jun-69	-42.4
Jul-69	-47.7
Aug-69	-49.1
Sep-69	-51.7
Oct-69	-57
Nov-69	-44.7
Dec-69	-39.2
Jan-70	-34.6
Feb-70	-29.4
Mar-70	-27.1
Apr-70	-31
May-70	-34.5
Jun-70	-39.2
Jul-70	-38.4
Aug-70	-40
Sep-70	-43.7
Oct-70	-52.5
Nov-70	-50.8
Dec-70	-39.5
Jan-71	-31.7
Feb-71	-30
Mar-71	-32.8
Apr-71	-37.8
May-71	-38.2
Jun-71	-39.9
Jul-71	-51
Aug-71	-52.2
Sep-71	-50.1
Oct-71	-54.7
Nov-71	-57
Dec-71	-46.3
Jan-72	-34.2
Feb-72	-32.3

WATER CONSERVATION – SUMMARY – GROUND WATER

GROUND WATER FLUCTUATION:**Location : Coastal Plain, City of Long Beach****Ground Surface Elevation: 26.6 ft above MSL**

STATION	460K
	WS Elev.
Mar-72	-34.3
Apr-72	-40.5
May-72	-44.5
Jun-72	-59.5
Jul-72	-53.5
Aug-72	-64.5
Sep-72	-73.3
Oct-72	-69.2
Nov-72	-60.8
Dec-72	-46.3
Jan-73	-40.2
Feb-73	-38.8
Mar-73	-33.8
Apr-73	-37.9
May-73	-49.5
Jun-73	-59.8
Jul-73	-68.3
Aug-73	-71.1
Sep-73	-69.7
Oct-73	-69.4
Nov-73	-67.5
Dec-73	-52.9
Jan-74	-54.7
Feb-74	-51.7
Mar-74	-54.4
Apr-74	-50.6
May-74	-62.7
Jun-74	-63.9
Jul-74	-69.7
Aug-74	-73.6
Sep-74	-73.6
Oct-74	-76.3
Nov-74	-71.7
Dec-74	-68.8
Jan-75	-58.1
Feb-75	-55.5
Mar-75	-48.1
Apr-75	-45.9

WATER CONSERVATION – SUMMARY – GROUND WATER

GROUND WATER FLUCTUATION:**Location : Coastal Plain, City of Long Beach****Ground Surface Elevation: 26.6 ft above MSL**

STATION	460K
	WS Elev.
May-75	-47.1
Jun-75	-58.9
Jul-75	-70
Aug-75	-74.7
Sep-75	-71.1
Oct-75	-78.3
Nov-75	-75
Dec-75	-72.8
Jan-76	-70
Feb-76	-66.8
Mar-76	-66.1
Apr-76	-69.4
May-76	-70.5
Jun-76	-76.6
Jul-76	-85.4
Aug-76	-85.7
Sep-76	-88
Oct-76	-77.7
Nov-76	-84.2
Dec-76	-78.9
Jan-77	-74.2
Feb-77	-67.2
Mar-77	-66.8
Apr-77	-74.6
May-77	-84.7
Jun-77	-78.9
Jul-77	-88.7
Aug-77	-92.1
Sep-77	-90.4
Oct-77	-90.2
Nov-77	-87.8
Dec-77	-85.2
Jan-78	-78.8
Feb-78	-65.4
Mar-78	-64.1
Apr-78	-63.4
May-78	-50.4
Jun-78	-63.2

WATER CONSERVATION – SUMMARY – GROUND WATER

GROUND WATER FLUCTUATION:

Location : Coastal Plain, City of Long Beach

Ground Surface Elevation: 26.6 ft above MSL

STATION	460K
	WS Elev.
Jul-78	-82.8
Aug-78	-80.9
Sep-78	-83.6
Oct-78	-85.1
Nov-78	-76.1
Dec-78	-66.7
Jan-79	-62
Feb-79	-53.6
Mar-79	-43.5
Apr-79	-42.6
May-79	-53.6
Jun-79	-62.9
Jul-79	-77.1
Aug-79	-85.8
Sep-79	-89.5
Oct-79	-85.2
Nov-79	-83.5
Dec-79	-83.7
Jan-80	-66.8
Feb-80	-57.5
Mar-80	-55.9
Apr-80	-58.9
May-80	-59.1
Jun-80	-69.1
Jul-80	-79.4
Aug-80	-84.9
Sep-80	-86.3
Oct-80	-82.5
Nov-80	-80.3
Dec-80	-77.5
Jan-81	-63.4
Feb-81	-52.1
Mar-81	-49.6
Apr-81	-48.8
May-81	-64.4
Jun-81	-69.1
Aug-81	-72.5
Sep-81	-79

WATER CONSERVATION – SUMMARY – GROUND WATER
--

GROUND WATER FLUCTUATION:**Location : Coastal Plain, City of Long Beach****Ground Surface Elevation: 26.6 ft above MSL**

STATION	460K
	WS Elev.
Nov-81	-64.8
Dec-81	-71.8
Jan-82	-45.1
Feb-82	-49.7
Mar-82	-52.3
Apr-82	-59
Jul-82	-69
Aug-82	-74.2
Sep-82	-73.8
Nov-82	-68
Dec-82	-61.5
Jan-83	-51.6
Feb-83	-52.7
Mar-83	-49.3
Apr-83	-47.8
May-83	-57.5
Jun-83	-63.7
Jul-83	-66.7
Aug-83	-66.7
Sep-83	-53.3
Oct-83	-46.3
Nov-83	-45.5
Dec-83	-21.7
Jan-84	-19.1
Feb-84	-17.5
Mar-84	-21.4
Apr-84	-24.6
May-84	-48
Jun-84	-58.7
Jul-84	-58.7
Aug-84	-61.9
Sep-84	-66.7
Oct-84	-62.4
Nov-84	-53.2
Dec-84	-44.3
Jan-85	-35.3
May-85	-40.4
Jun-85	-44.8

WATER CONSERVATION – SUMMARY – GROUND WATER

GROUND WATER FLUCTUATION:**Location : Coastal Plain, City of Long Beach****Ground Surface Elevation: 26.6 ft above MSL**

STATION	460K
	WS Elev.
Jul-85	-56
Aug-85	-59.9
Sep-85	-59.1
Oct-85	-48.8
Nov-85	-49.3
Dec-85	-42.9
Jan-86	-38.5
Mar-86	-38.7
Apr-86	-43.8
May-86	-44.1
Jun-86	-56.9
Jul-86	-54.3
Aug-86	-66.8
Sep-86	-58.1
Oct-86	-52.3
Nov-86	-43.6
Dec-86	-43.6
Jan-87	-45.6
Feb-87	-44.6
Apr-87	-45.4
May-87	-48.4
Jun-87	-41
Jul-87	-63.6
Aug-87	-50.4
Sep-87	-61.5
Oct-87	-62.7
Nov-87	-63.2
Dec-87	-47.7
Jan-88	-47.2
Feb-88	-49.7
Mar-88	-49
Apr-88	-56.5
May-88	-62.5
Jun-88	-62.5
Jul-88	-77
Aug-88	-77.5
Sep-88	-78.8
Oct-88	-73.1

WATER CONSERVATION – SUMMARY – GROUND WATER

GROUND WATER FLUCTUATION:**Location : Coastal Plain, City of Long Beach****Ground Surface Elevation: 26.6 ft above MSL**

STATION	460K
	WS Elev.
Nov-88	-73.1
Dec-88	-66.2
Jan-89	-55.1
Feb-89	-63.2
Mar-89	-71.9
Apr-89	-71
May-89	-77
Jun-89	-76.2
Jul-89	-78.7
Aug-89	-76
Sep-89	-87.8
Oct-89	-73.4
Nov-89	-54.2
Dec-89	-56.7
Jan-90	-49.2
Feb-90	-44.9
Mar-90	-45.1
Apr-90	-36
May-90	-55.9
Jun-90	-89.9
Jul-90	-97.2
Aug-90	-98.7
Sep-90	-99.5
Oct-90	-91.5
Nov-90	-48.3
Dec-90	-34.8
Jan-91	-33.3
Feb-91	-42.4
Mar-91	-46.1
Apr-91	-26
May-91	-78.3
Jun-91	-90.2
Jul-91	-80.4
Aug-91	-77.5
Sep-91	-63.4
Oct-91	-62.7
Nov-91	-63.4
Dec-91	-60.9

WATER CONSERVATION – SUMMARY – GROUND WATER

GROUND WATER FLUCTUATION:**Location : Coastal Plain, City of Long Beach****Ground Surface Elevation: 26.6 ft above MSL**

STATION	460K
	WS Elev.
Jan-92	-55.4
Feb-92	-50.6
Mar-92	-28.2
Apr-92	-46.7
May-92	-62.9
Sep-92	-73.5
Oct-92	-72
Nov-92	-78.8
Dec-92	-76.5
Jan-93	-70.4
Feb-93	-68.5
Mar-93	-65.9
Apr-93	-51.9
May-93	-37.9
Jun-93	-27.6
Jul-93	-21.2
Aug-93	-19.2
Sep-93	-19.9
Oct-93	-17.4
Nov-93	-19.4
Dec-93	-13.9
Jan-94	-10.9
Feb-94	-16.7
Mar-94	-9.4
Apr-94	-5.8
May-94	-22.6
Jun-94	-48.4
Jul-94	-54.7
Aug-94	-55.6
Sep-94	-64.2
Oct-94	-35.9
Nov-94	-27.4
Dec-94	-25.3
Jan-95	-20.9
Feb-95	-35.3
Mar-95	-26.7
Apr-95	-32.2
May-95	-18.8

WATER CONSERVATION – SUMMARY – GROUND WATER

GROUND WATER FLUCTUATION:**Location : Coastal Plain, City of Long Beach****Ground Surface Elevation: 26.6 ft above MSL**

STATION	460K
	WS Elev.
Jun-95	-42.8
Jul-95	-57.2
Aug-95	-50.2
Sep-95	-62.5
Oct-95	-31.6
Nov-95	-19.4
Dec-95	-25.4
Jan-96	-18.6
Feb-96	-10.3
Mar-96	-11.6
Apr-96	-5.8
May-96	-37.4
Jun-96	-51.8
Jul-96	-62.6
Aug-96	-64.8
Sep-96	-78.9
Oct-96	-70.4
Nov-96	-70.4
Dec-96	-70.4
Jan-97	-8.1
Feb-97	-6.4
Mar-97	-7.8
Apr-97	-44.4
May-97	-74.4
Jun-97	-93.2
Jul-97	-98.8
Aug-97	-101.2
Sep-97	-103.4
Oct-97	-57.1
Nov-97	-45.2
Dec-97	-29.1
Jan-98	-20.2
Feb-98	-24.4
Mar-98	-11.8
Apr-98	-8.1
May-98	-58.5
Jun-98	-86.1
Jul-98	-95.6

WATER CONSERVATION – SUMMARY – GROUND WATER

GROUND WATER FLUCTUATION:**Location : Coastal Plain, City of Long Beach****Ground Surface Elevation: 26.6 ft above MSL**

STATION	460K
	WS Elev.
Aug-98	-111.5
Sep-98	-113.3
Oct-98	-61.3
Nov-98	-42.2
Dec-98	-21.8
Jan-99	-22.9
Feb-99	-32.2
Mar-99	-14.5
Apr-99	-15.4
May-99	-70.4
Jun-99	-88.4
Jul-99	-96.4
Sep-99	-107.4
Oct-99	-48.9
Nov-99	-35.9
Jan-00	-29.3
Feb-00	-28
Mar-00	-19.9
Apr-00	-25
May-00	-81.2
Jun-00	-97.9
Jul-00	-102.7
Aug-00	-109
Sep-00	-109.4
Oct-00	-63.6
Nov-00	-45.2
Dec-00	-41.6
01-Jan	-38.4
01-Feb	-31.9
01-Mar	-30.3
01-Apr	-22.8
01-May	-85.2
01-Jun	-98.5
01-Jul	-104.9
01-Aug	-107.9
01-Sep	-110.3
01-Oct	-70.4
01-Nov	-48.4

WATER CONSERVATION – SUMMARY – GROUND WATER

GROUND WATER FLUCTUATION:

Location : Coastal Plain, City of Long Beach

Ground Surface Elevation: 26.6 ft above MSL

STATION	460K
	WS Elev.
02-Jan	-40.8
02-Feb	-44.1
02-Mar	-27.2
02-Apr	-22
02-May	-90
02-Jun	-120.5
02-Jul	-107.4
02-Aug	-108.2
02-Sep	-109.9
02-Oct	-70.4
02-Nov	-51
02-Dec	-40.8
03-Jan	-38.3
03-Feb	-37.7
03-Mar	-30.9
03-Apr	-45.9
03-May	-88.1
03-Jun	-73.7
03-Jul	-68.2
03-Aug	-57.5
03-Sep	-71.4
03-Oct	-49.7
03-Nov	-50.4
03-Dec	-38.4
04-Jan	-41.4
04-Feb	-31.2
04-Mar	-24.4
04-Apr	-23.1
04-May	-48.6
04-Jun	-67.5
04-Jul	-95.4
04-Aug	-102.2
04-Sep	-105.9
04-Oct	-61.4
04-Nov	-48
04-Dec	-53.4
05-Jan	-33.2
05-Feb	-26.9

WATER CONSERVATION – SUMMARY – GROUND WATER
--

GROUND WATER FLUCTUATION:**Location : Coastal Plain, City of Long Beach****Ground Surface Elevation: 26.6 ft above MSL**

STATION	460K
	WS Elev.
05-Mar	-21.3
05-Apr	-21.4
05-May	-39.4
05-Jun	-38.5
05-Jul	-69.3
05-Aug	-66.9
05-Sep	-74.4
05-Oct	-37.4
05-Nov	-30.9
05-Dec	-28.4
06-Jan	-14.4
06-Feb	-13.3
06-Mar	-13.4
06-Apr	-8.3
06-May	-53.8
06-Jun	-73.2
06-Jul	-70.8
06-Aug	-81.2
06-Sep	-93.5

WATER CONSERVATION – SUMMARY – GROUND WATER

GROUND WATER FLUCTUATION:

Location: Coastal Plain

Ground Surface Elevation: 50.0 ft above MSL

STATION	1346D	1366C	760C
	WS Elev.	WS Elev.	WS Elev.
Feb-57	-83.3		
Mar-57	-92.3		
Apr-57	-92.3		
Aug-57	-85.3		
Sep-57	-89.3		
Oct-57	-92.3		
Nov-57	-91.3		
Dec-57	-89.3		
Jan-58	-89.3		
Feb-58	-88.3		
Mar-58	-88.3		
Apr-58	-87.3		
May-58	-86.3		
Jun-58	-87.3		
Jul-58	-87.3		
Aug-58	-88.3		
Sep-58	-88.3		
Oct-58	-88.3		
Nov-58	-89.3		
Dec-58	-89.3		
Jan-59	-89.3		
Feb-59	-89.3		
Mar-59	-77.3		
Apr-59	-75.3		
May-59	-86.3		
Jun-59	-89.3		
Jul-59	-93.3		
Aug-59	-96.3		
Sep-59	-90.3		
Oct-59	-87.3		
Nov-59	-88.3		
Dec-59	-91.3		
Jan-60	-81.3		
Feb-60	-74.3		
Mar-60	-71.3		
Apr-60	-71.3		
May-60	-83.3		
Jun-60	-93.3		

WATER CONSERVATION – SUMMARY – GROUND WATER

GROUND WATER FLUCTUATION:

Location: Coastal Plain

Ground Surface Elevation: 50.0 ft above MSL

STATION	1346D	1366C	760C
	WS Elev.	WS Elev.	WS Elev.
Jul-60	-95.3		
Aug-60	-94.3		
Sep-60	-91.3		
Oct-60	-88.3		
Nov-60	-87.3		
Dec-60	-82.3		
Jan-61	-74.3		
Feb-61	-75.3		
Mar-61	-72.3		
Apr-61	-72.3		
May-61	-81.3		
Jun-61	-61.8		
Jul-61	-62.3		
Aug-61	-82.3		
Sep-61	-86.3		
Oct-61	-87.3		
Nov-61	-88.3		
Dec-61	-88.3		
Jan-62	-73.3		
Feb-62	-73.3		
Mar-62	-69.3		
Apr-62	-69.3		
May-62	-76.1		
Jun-62	-80.3		
Jul-62	-80.9		
Aug-62	-84.7		
Sep-62	-88		
Oct-62	-87.7		
Nov-62	-87.7		
Dec-62	-88.3		
Feb-63	-78.1		
Mar-63	-77.3		
Apr-63	-77.2		
May-63	-78.7		
Jun-63	-83.1		
Jul-63	-81.6		
Aug-63	-82		
Sep-63	-80.6		

WATER CONSERVATION – SUMMARY – GROUND WATER

GROUND WATER FLUCTUATION:

Location: Coastal Plain

Ground Surface Elevation: 50.0 ft above MSL

STATION	1346D	1366C	760C
	WS Elev.	WS Elev.	WS Elev.
Oct-63	-80.7		
Nov-63	-80.3		
Dec-63	-81.3		
Jan-64	-78.8		-54
Feb-64	-77.5		-58
Mar-64	-78.4		-55
Apr-64	-80.4		-54
May-64	-84.8		-64
Jun-64	-89.4		-64
Jul-64	-93.1		-59
Aug-64	-90		-61
Sep-64	-88.5		-59
Oct-64	-87.6		-64
Nov-64	-91.2		-60.7
Dec-64	-77.6		-54
Jan-65	-80.2		-66
Feb-65	-73.3		-57.2
Mar-65	-73		-54
Apr-65	-73.2		-52.2
May-65	-76.5		-57
Jun-65	-80		-55
Jul-65	-83.5		-53
Aug-65	-89.8		-62
Sep-65	-91.1		-58
Oct-65	-86.1		-60
Nov-65	-87.1		-57
Dec-65	-77.1		-50.2
Jan-66	-77.7		-50
Feb-66	-79.2		-53
Mar-66	-79.1		-52
Apr-66	-80.9		-51
May-66	-90.1		-50
Jun-66	-91		-55
Jul-66	-94.6		-57
Aug-66	-88.7		-53
Sep-66	-85.3		-53
Oct-66	-88		-57
Nov-66	-80.6		-49

WATER CONSERVATION – SUMMARY – GROUND WATER

GROUND WATER FLUCTUATION:

Location: Coastal Plain

Ground Surface Elevation: 50.0 ft above MSL

STATION	1346D	1366C	760C
	WS Elev.	WS Elev.	WS Elev.
Dec-66	-75.9		-50
Jan-67	-74.2		-48
Feb-67	-72.2		-50
Mar-67	-72.9		-45.7
Apr-67	-70.8		-48
May-67	-73.2		-49
Jun-67	-82		-62
Jul-67	-85.9		-63
Aug-67	-87.9		-51.2
Sep-67	-88.4		-48
Oct-67	-88.3		-47.2
Nov-67	-84.9		-47.2
Dec-67	-81.1		-48.2
Jan-68	-76		-49
Feb-68	-73		-49
Mar-68	-71.2		-46
Apr-68	-73.8		-45.2
May-68	-73.9		-45
Jun-68	-80.6		-45
Jul-68	-83		-44
Aug-68	-83.7		-45
Sep-68	-83.1		-45
Oct-68	-75.9		-41.7
Nov-68	-74		-42.2
Dec-68	-73.2		-43.2
Jan-69	-71.9		-44
Feb-69	-74.9		-44
Mar-69	-68.7		-44
Apr-69	-71.5		-40
May-69	-69.8		-45
Jun-69	-72.4		-49
Jul-69	-76.2		-50
Aug-69	-82.6		-50
Sep-69	-83.7		-52
Oct-69	-87.3		-43
Nov-69	-82		-43
Dec-69	-73.5		-43
Jan-70	-68.3		-42

WATER CONSERVATION – SUMMARY – GROUND WATER

GROUND WATER FLUCTUATION:

Location: Coastal Plain

Ground Surface Elevation: 50.0 ft above MSL

STATION	1346D	1366C	760C
	WS Elev.	WS Elev.	WS Elev.
Feb-70	-71.1		-39
Mar-70	-69		-38.2
Apr-70	-74.8		-39.3
May-70	-74.8		-42
Jun-70	-78.5		-40
Jul-70	-86		-40
Aug-70	-83.1		-41
Sep-70	-83.2		-44
Oct-70	-84.5		-43
Nov-70	-84		-41.2
Dec-70	-81		-41.2
Jan-71	-81.7		-43.2
Feb-71	-82.2		-38.2
Mar-71	-80.8		-42.2
Apr-71	-81.8		-36.2
May-71	-80		-37.2
Jun-71	-78.9		-44.2
Jul-71	-80		
Aug-71	-81.3		
Sep-71	-80.2		
Oct-71	-79.6		-42.2
Nov-71	-78.4		-40.2
Dec-71	-77.6		
Jan-72	-77.2		
Feb-72	-75.6		-41.2
Mar-72	-70.6		-41.2
Apr-72	-73.5		-40.2
May-72	-76.4		-38.2
Jun-72	-73.2		-37.2
Jul-72	-72.3		-38.2
Aug-72	-72.7		-39.2
Sep-72	-76		-39.2
Oct-72	-78.4		
Nov-72	-78		
Dec-72	-74.7		
Jan-73	-76.3		-40.2
Feb-73	-75.4		-38.2
Mar-73	-74.2		-37.2

WATER CONSERVATION – SUMMARY – GROUND WATER

GROUND WATER FLUCTUATION:

Location: Coastal Plain

Ground Surface Elevation: 50.0 ft above MSL

STATION	1346D	1366C	760C
	WS Elev.	WS Elev.	WS Elev.
Apr-73	-70.7		-37.2
May-73	-71		
Jun-73	-68.5		
Jul-73	-69.4		
Aug-73	-70.4		-37.2
Sep-73	-69.9		
Oct-73	-68.9		-37.2
Dec-73	-60.9		
Jan-74	-60		
Feb-74	-58.2		-33.2
Mar-74	-57.7		-38.2
Apr-74	-57.2		-37.2
May-74	-56.9		-37.2
Jun-74	-59.2		-34.2
Jul-74	-61.4		-35.2
Aug-74	-63.9		-35.2
Sep-74	-70		-34.2
Oct-74	-62.1		-33.2
Nov-74	-69		-33.2
Dec-74	-63		-35.2
Jan-75	-63		-36.2
Feb-75	-61		-36.2
Mar-75	-59		-36.2
Apr-75	-58		-38.2
May-75	-52.5		
Jun-75	-53.9		-39.2
Jul-75	-58		-39.2
Aug-75	-62		-36.2
Sep-75	-63		-39.2
Oct-75	-62		-36.2
Nov-75	-57.5		-35.2
Dec-75	-62		-35.2
Jan-76	-62		-35.2
Feb-76	-62		-37.2
Mar-76	-63		-38.2
Apr-76	-62		-42.2
May-76	-59		-37.2
Jun-76	-62		-37.2

WATER CONSERVATION – SUMMARY – GROUND WATER

GROUND WATER FLUCTUATION:

Location: Coastal Plain

Ground Surface Elevation: 50.0 ft above MSL

STATION	1346D	1366C	760C
	WS Elev.	WS Elev.	WS Elev.
Jul-76	-61		-37.2
Aug-76	-63		-37.2
Sep-76	-63		-37.2
Oct-76	-62		-35.2
Nov-76	-53.4		-36.1
Dec-76	-62		-33.2
Jan-77	-60		-32.2
Feb-77	-61		-32.2
Mar-77	-49		-32.2
Apr-77	-60		-32.2
May-77	-55		-34.2
Jun-77	-56		-34.2
Jul-77	-58		-37.2
Aug-77	-62		-37.2
Sep-77	-62		-37.2
Oct-77	-54.1		-35.4
Nov-77	-51.2		
Dec-77	-53.5		
Jan-78	-51.5		
Feb-78	-57.8		
Mar-78	-69.7		
Apr-78	-58.4		-32.2
May-78	-71.6		
Jun-78	-82.1		
Oct-78	-98.7		-33.2
Jan-79	-91.3		
Feb-79	-97.3		
Mar-79	-99.3		
Apr-79	-80.7		
May-79	-99.3		
Jun-79	-79.3		
Jul-79	-76.3		
Aug-79	-81.3		-43
Sep-79	-83.3		-40
Oct-79	-97.3		-36
Nov-79	-104		-36
Dec-79			-37
Jan-80			-34

WATER CONSERVATION – SUMMARY – GROUND WATER

GROUND WATER FLUCTUATION:

Location: Coastal Plain

Ground Surface Elevation: 50.0 ft above MSL

STATION	1346D	1366C	760C
	WS Elev.	WS Elev.	WS Elev.
Feb-80			-34
Mar-80			-34
Apr-80	-78.3		-42.2
May-80	-79.3		-34
Jun-80	-79.3		-34
Jul-80	-79.3		-37
Aug-80	-91.3		-37
Sep-80	-89.3		-37
Oct-80	-93.3		-38
Nov-80	-92.3		-38
Dec-80	-89.3		-38
Jan-81	-77.3		-35
Feb-81	-73.3		-34
Mar-81	-79.3		-34
Apr-81	-79.3		-33.2
May-81	-81.3		-34
Jun-81	-79.3		
Jul-81	-78.3		-28
Aug-81	-77.3		-30
Sep-81	-79.3		-32
Oct-81	-87.3		-31.2
Nov-81	-91.3		-34
Dec-81	-93.3		-34
Jan-82	-97.3		-34
Feb-82	-96.3		-34
Mar-82	-95.3		-35
Apr-82	-97.3		-34.2
May-82	-97.3		-38
Jun-82	-98.3		
Jul-82	-101		-37
Aug-82	-87.3		-37
Sep-82	-83.3		-37
Oct-82	-83.3		-35.2
Nov-82	-90.3		-38
Dec-82	-85.3		-38
Jan-83	-80.3		-37
Feb-83	-87.3		-38
Mar-83	-90.3		-38

WATER CONSERVATION – SUMMARY – GROUND WATER

GROUND WATER FLUCTUATION:

Location: Coastal Plain

Ground Surface Elevation: 50.0 ft above MSL

STATION	1346D	1366C	760C
	WS Elev.	WS Elev.	WS Elev.
Apr-83	-85.3		-37
May-83	-83.3		-36.2
Jun-83	-91.3		-30.2
Jul-83	-89.3		-39.2
Aug-83	-91.3		
Sep-83	-83.3		
Oct-83	-91.3		-37.2
Nov-83	-89.3		-36.2
Dec-83	-79.3		-27.2
Jan-84	-68.3		-30.2
Feb-84	-63.3		-30.2
Mar-84	-73.3		
Apr-84	-79.3		-27.2
May-84	-83.3		-29.2
Jun-84	-83.3		-29.2
Jul-84	-85.3		
Aug-84	-89.3		-32.2
Sep-84	-83.3		-31.2
Oct-84	-85.3		-31.2
Nov-84	-85.3		
Dec-84	-80.3		-30.2
Jan-85	-83.3		-31.2
Feb-85	-63.3		
Mar-85	-67.3		-31.2
Apr-85	-69.3		-31.2
May-85	-69.3		-31.2
Jun-85	-71.3		-27.2
Jul-85	-69.3		-26.2
Aug-85	-67.3		-22.2
Sep-85	-69.3		-24.2
Oct-85	-71.3		-24.2
Nov-85	-75.3		-33
Dec-85	-79.3		-34
Jan-86	-77.3		-24
Feb-86	-75.3		-22.5
Mar-86	-76.3		-23
Apr-86	-77.3		-25
May-86	-77.3		-26

WATER CONSERVATION – SUMMARY – GROUND WATER

GROUND WATER FLUCTUATION:

Location: Coastal Plain

Ground Surface Elevation: 50.0 ft above MSL

STATION	1346D	1366C	760C
	WS Elev.	WS Elev.	WS Elev.
Jun-86	-89.3		-24
Jul-86	-95.3		-31
Aug-86	-90.3		-32
Sep-86	-90.3		-31
Oct-86	-88.3		-29
Nov-86	-87.3		-36
Dec-86	-75.3		-27
Jan-87	-66.3		-25
Apr-87	-65.3		
May-87	-72.3		
Jun-87	-76.3		
Jul-87	-79.3		
Aug-87	-78.3		
Sep-87	-76.3		
Oct-87	-69.3		
Nov-87	-68.3		-25.6
Dec-87	-68.3		-27
Jan-88	-65.8		-25.8
Feb-88	-66.1		-24.3
Mar-88	-59.1		
Apr-88	-57.6		-23.3
May-88	-55.3		-16.6
Jun-88	-52.3		-26.3
Jul-88	-52.3		-25
Aug-88	-51.3		-26.8
Sep-88	-51.3		-28
Oct-88	-52.4		-25
Nov-88	-51.3		-25
Dec-88	-49.3		-24
Jan-89	-52.3		-19
Feb-89			-23
Mar-89	-60.1		-24.8
Apr-89	-63.8		-26.3
May-89	-70.6		-25
Jun-89	-71.3		-24
Jul-89	-69.3		-30
Aug-89	-66.8		-24
Sep-89	-66.8		-24

WATER CONSERVATION – SUMMARY – GROUND WATER

GROUND WATER FLUCTUATION:

Location: Coastal Plain

Ground Surface Elevation: 50.0 ft above MSL

STATION	1346D	1366C	760C
	WS Elev.	WS Elev.	WS Elev.
Oct-89	-60.4		-24
Nov-89	-62.3		-27.2
Dec-89	-62.3		-24
Jan-90	-62.3		-22.2
Feb-90	-62.3		-23.2
Mar-90	-60.3		-23.2
Apr-90	-62.4		-26.2
May-90	-61.3		-23.2
Jun-90	-61.3		-24.2
Jul-90	-61.3		-21.2
Aug-90	-61.3		-24.2
Sep-90	-61.3		-26.2
Oct-90	-61.3		-24.2
Nov-90	-61.3		-23.2
Dec-90	-61.3		-21.2
Jan-91	-66.3		-17.2
Feb-91	-52.3		-17.2
Mar-91	-56.6		-24.2
Apr-91	-58.3		-23.2
May-91	-63.3		-24.2
Jun-91	-67.3		-25.2
Jul-91	-68.6		-28.2
Aug-91	-72.3		-28.2
Sep-91	-79.3	-61.7	-24.2
Oct-91	-80.3	-55.7	-25.2
Nov-91	-80.8		-26.2
Dec-91			-28.2
Jan-92			-25.2
Feb-92	-68.3		-25.2
Mar-92	-80.3		-28.2
Apr-92	-86.8	-54.7	-27.2
May-92			-28.2
Jun-92			-26.2
Jul-92			-28.2
Aug-92			-28.2
Sep-92			-30.2
Oct-92		-41.7	-31.2
Nov-92			-22.2

WATER CONSERVATION – SUMMARY – GROUND WATER

GROUND WATER FLUCTUATION:

Location: Coastal Plain

Ground Surface Elevation: 50.0 ft above MSL

STATION	1346D	1366C	760C
	WS Elev.	WS Elev.	WS Elev.
Dec-92			-25.2
Jan-93			-23.2
Feb-93			-22.2
Mar-93			-25.2
Apr-93		-55.7	-25.2
May-93			-26.2
Jun-93		-96.2	-27.2
Jul-93			-30.2
Aug-93		-47.7	-25.2
Sep-93		-73.7	-23.2
Oct-93		-42	-25.2
Nov-93		-53.2	-16.2
Dec-93		-46	-17.2
Jan-94		-33.2	-14.2
Feb-94		-34.7	-17.2
Mar-94		-36.7	-16.2
Apr-94		-51.7	-18.2
May-94		-43.7	-21
Jun-94			-23.2
Jul-94		-57.7	-26.2
Aug-94		-58.7	-25.2
Sep-94		-27.7	-18.2
Oct-94		-44.7	-18.2
Nov-94			-18.2
Dec-94			-17.2
Jan-95			-17.2
Apr-95			-18.2
May-95			-19.2
Jun-95			-24.2
Jul-95			-23.2
Aug-95			-23.2
Oct-95			-16.7
Apr-96			-24.2
Apr-97			-22.2
Oct-97			-18.2
Mar-98			-20.2
Jul-98			-22.2
Oct-98			-24.2

WATER CONSERVATION – SUMMARY – GROUND WATER

GROUND WATER FLUCTUATION:

Location: Coastal Plain

Ground Surface Elevation: 50.0 ft above MSL

STATION	1346D	1366C	760C
	WS Elev.	WS Elev.	WS Elev.
Nov-98			-23.2
Jan-99			-21.2
Apr-99			-24.2
May-99			-23.2
Aug-99			-27.2
Nov-99			-25.2
May-00			-28.2
Nov-00			-32
01-Mar			-34.2
01-Oct			-128.2
02-Apr			-68.2
02-Oct			-85.2
03-Apr			-63.2
03-Nov			-72.2
04-Mar			-76.2
04-Sep			-92.2
05-May	-16.2		
06-Apr			5.8

WATER CONSERVATION – SUMMARY – GROUND WATER

GROUND WATER FLUCTUATION:

Location: Coastal Plain, City of Long Beach

Ground Surface Elevation: 88.8 ft above MSL

STATION	906D
	WS Elev.
Jan-51	-42.1
Feb-51	-40.4
Mar-51	-41.7
Apr-51	-46.7
May-51	-48.5
Jun-51	-52
Jul-51	-59
Aug-51	-66.2
Sep-51	-70.4
Oct-51	-70.4
Nov-51	-69.6
Dec-51	-65.5
Jan-52	-59.2
Feb-52	-56.2
Mar-52	-54.1
Apr-52	-52.1
May-52	-49.2
Jun-52	-49.5
Jul-52	-53.5
Aug-52	-63.2
Sep-52	-68
Oct-52	-70.6
Nov-52	-70.1
Dec-52	-63.5
Jan-53	-51.2
Feb-53	-45.4
Mar-53	-47.6
Apr-53	-52.6
May-53	-50.6
Jun-53	-65.3
Jul-53	-73.1
Aug-53	-79.4
Sep-53	-81.8
Oct-53	-81.3
Nov-53	-76.5
Dec-53	-72.9
Jan-54	-67.7

WATER CONSERVATION – SUMMARY – GROUND WATER
--

GROUND WATER FLUCTUATION:

Location: Coastal Plain, City of Long Beach

Ground Surface Elevation: 88.8 ft above MSL

STATION	906D
	WS Elev.
Feb-54	-63
Mar-54	-56.9
Apr-54	-53.8
May-54	-53.3
Jun-54	-58.9
Jul-54	-65.4
Aug-54	-76.1
Sep-54	-82.6
Oct-54	-83.8
Nov-54	-80.5
Dec-54	-73.3
Jan-55	-66.1
Feb-55	-62.2
Mar-55	-60.7
Apr-55	-59.4
May-55	-61.5
Jun-55	-64.2
Jul-55	-69.2
Aug-55	-75.8
Sep-55	-82
Oct-55	-85.6
Nov-55	-83.8
Dec-55	-79.9
Jan-56	-69
Feb-56	-66.7
Mar-56	-66.7
Apr-56	-72.5
May-56	-74.3
Jun-56	-100
Jul-56	-87.6
Aug-56	-92.1
Sep-56	-98.8
Oct-56	-101.5
Nov-56	-102.5
Dec-56	-103
Jan-57	-99.9
Feb-57	-89.7

WATER CONSERVATION – SUMMARY – GROUND WATER

GROUND WATER FLUCTUATION:

Location: Coastal Plain, City of Long Beach

Ground Surface Elevation: 88.8 ft above MSL

STATION	906D
	WS Elev.
Mar-57	-80.8
Apr-57	-75
May-57	-83.5
Jun-57	-84.7
Jul-57	-96.7
Aug-57	-103
Sep-57	-106.7
Oct-57	-107.6
Nov-57	-101.2
Dec-57	-97
Jan-58	-90.2
Feb-58	-87.7
Mar-58	-82.9
Apr-58	-77.5
May-58	-81.5
Jun-58	-87.6
Jul-58	-94.8
Aug-58	-98.3
Sep-58	-98.7
Oct-58	-100
Nov-58	-98.2
Dec-58	-93.1
Jan-59	-89
Feb-59	-83.3
Mar-59	-85.4
Apr-59	-86.1
May-59	-86.6
Jun-59	-89.2
Jul-59	-92.7
Aug-59	-97.4
Sep-59	-101
Oct-59	-104.4
Nov-59	-104.5
Dec-59	-104.8
Jan-60	-101.4
Feb-60	-96.8
Mar-60	-96.6

WATER CONSERVATION – SUMMARY – GROUND WATER

GROUND WATER FLUCTUATION:

Location: Coastal Plain, City of Long Beach

Ground Surface Elevation: 88.8 ft above MSL

STATION	906D
	WS Elev.
Apr-60	-95.2
May-60	-90.8
Jun-60	-87.6
Jul-60	-91.8
Aug-60	-104.2
Sep-60	-92.5
Oct-60	-106.9
Nov-60	-108
Dec-60	-99.4
Jan-61	-94.2
Feb-61	-90.8
Mar-61	-92.8
Apr-61	-94.9
May-61	-90.8
Jun-61	-111.3
Jul-61	-119.2
Aug-61	-125.6
Sep-61	-128.7
Oct-61	-124.9
Nov-61	-118.6
Dec-61	-109.5
Jan-62	-100.6
Feb-62	-94.3
Mar-62	-88.7
Apr-62	-87.6
May-62	-97.3
Jun-62	-103.5
Jul-62	-107.3
Aug-62	-116.6
Sep-62	-121.4
Oct-62	-117.4
Nov-62	-97.6
Dec-62	-83.7
Jan-63	-74.6
Feb-63	-68.6
Mar-63	-65.3
Apr-63	-62.9

WATER CONSERVATION – SUMMARY – GROUND WATER

GROUND WATER FLUCTUATION:

Location: Coastal Plain, City of Long Beach

Ground Surface Elevation: 88.8 ft above MSL

STATION	906D
	WS Elev.
May-63	-58
Jun-63	-60.6
Jul-63	-61.3
Aug-63	-79.2
Sep-63	-82.8
Oct-63	-74.4
Nov-63	-63.5
Dec-63	-57.3
Jan-64	-53.2
Feb-64	-51.3
Mar-64	-47.1
Apr-64	-45.6
May-64	-45.8
Jun-64	-45.9
Jul-64	-54.1
Aug-64	-63.4
Sep-64	-78.1
Oct-64	-68.9
Nov-64	-56.9
Dec-64	-56.9
Jan-65	-52.2
Feb-65	-50.7
Mar-65	-49.7
Apr-65	-49.4
May-65	-48.3
Jun-65	-50.7
Jul-65	-54.9
Aug-65	-56.7
Sep-65	-62.5
Oct-65	-60.1
Nov-65	-61.2
Dec-65	-59.2
Jan-66	-53.3
Feb-66	-49.9
Mar-66	-42.6
Apr-66	-43.2
May-66	-46.8

WATER CONSERVATION – SUMMARY – GROUND WATER
--

GROUND WATER FLUCTUATION:

Location: Coastal Plain, City of Long Beach

Ground Surface Elevation: 88.8 ft above MSL

STATION	906D
	WS Elev.
Jun-66	-52.3
Jul-66	-59.2
Aug-66	-69.1
Sep-66	-69.4
Oct-66	-69.4
Nov-66	-60.2
Dec-66	-53.6
Jan-67	-49.3
Feb-67	-44.8
Mar-67	-42.3
Apr-67	-40.7
May-67	-38.4
Jun-67	-38.8
Jul-67	-40.6
Aug-67	-46.7
Sep-67	-56
Oct-67	-52
Nov-67	-50.7
Dec-67	-45.8
Jan-68	-34.3
Feb-68	-37
Mar-68	-40.8
Apr-68	-38.7
May-68	-42.3
Jun-68	-49.4
Jul-68	-53.1
Aug-68	-65.5
Sep-68	-71
Oct-68	-63.6
Nov-68	-60.1
Dec-68	-54.7
Jan-69	-49.6
Feb-69	-47.2
Mar-69	-43.8
Apr-69	-34.9
May-69	-42.3
Jun-69	-48.9

WATER CONSERVATION – SUMMARY – GROUND WATER

GROUND WATER FLUCTUATION:

Location: Coastal Plain, City of Long Beach

Ground Surface Elevation: 88.8 ft above MSL

STATION	906D
	WS Elev.
Jul-69	-56.4
Aug-69	-66.1
Sep-69	-75.7
Oct-69	-74
Nov-69	-68.9
Dec-69	-65.1
Jan-70	-55.8
Feb-70	-39
Mar-70	-29.1
Apr-70	-26.9
May-70	-30.8
Jun-70	-33.1
Jul-70	-32
Aug-70	-34
Sep-70	-52.7
Oct-70	-57.6
Nov-70	-50.5
Dec-70	-41.9
Jan-71	-33.5
Feb-71	-31.6
Mar-71	-32.8
Apr-71	-36.1
May-71	-36.8
Jun-71	-39.6
Jul-71	-46.8
Aug-71	-55.6
Sep-71	-63.8
Oct-71	-62.7
Nov-71	-60.8
Dec-71	-53.3
Jan-72	-48.9
Feb-72	-36
Mar-72	-30.5
Apr-72	-31.8
May-72	-32.3
Jun-72	-40.4
Jul-72	-47.8

WATER CONSERVATION – SUMMARY – GROUND WATER
--

GROUND WATER FLUCTUATION:

Location: Coastal Plain, City of Long Beach

Ground Surface Elevation: 88.8 ft above MSL

STATION	906D
	WS Elev.
Aug-72	-59.9
Sep-72	-68.2
Oct-72	-66.9
Nov-72	-59.2
Dec-72	-47.7
Jan-73	-41.9
Feb-73	-36.4
Mar-73	-30.5
Apr-73	-28.3
May-73	-32.7
Jun-73	-44.6
Jul-73	-55.5
Aug-73	-59.5
Sep-73	-63.7
Oct-73	-62.7
Nov-73	-60.6
Dec-73	-54.7
Jan-74	-49
Feb-74	-44.4
Mar-74	-43
Apr-74	-40.7
May-74	-43.6
Jun-74	-47.3
Jul-74	-50.2
Aug-74	-55
Sep-74	-57.5
Oct-74	-59.7
Nov-74	-59.3
Dec-74	-55.1
Jan-75	-48.1
Feb-75	-46
Mar-75	-41.9
Apr-75	-39.7
May-75	-36.4
Jun-75	-38.4
Jul-75	-44.4
Aug-75	-57.9

WATER CONSERVATION – SUMMARY – GROUND WATER
--

GROUND WATER FLUCTUATION:

Location: Coastal Plain, City of Long Beach

Ground Surface Elevation: 88.8 ft above MSL

STATION	906D
	WS Elev.
Sep-75	-63.5
Oct-75	-66.6
Nov-75	-67.4
Dec-75	-65
Jan-76	-62.9
Feb-76	-64.2
Mar-76	-61.5
Apr-76	-60.7
May-76	-61.3
Jun-76	-65.1
Jul-76	-75.7
Aug-76	-77.5
Sep-76	-81.6
Oct-76	-80.4
Nov-76	-83.2
Dec-76	-82.8
Jan-77	-80.4
Feb-77	-74.5
Mar-77	-71.4
Apr-77	-72.7
May-77	-77.8
Jun-77	-71.3
Jul-77	-79.6
Aug-77	-90.3
Sep-77	-89.9
Oct-77	-90.7
Nov-77	-88.6
Dec-77	-79.4
Jan-78	-81.1
Feb-78	-71.5
Mar-78	-64.2
Apr-78	-57
May-78	-57.3
Jun-78	-63
Jul-78	-70.4
Aug-78	-81.7
Sep-78	-88.8

WATER CONSERVATION – SUMMARY – GROUND WATER
--

GROUND WATER FLUCTUATION:

Location: Coastal Plain, City of Long Beach

Ground Surface Elevation: 88.8 ft above MSL

STATION	906D
	WS Elev.
Oct-78	-91.7
Nov-78	-83.4
Dec-78	-77.3
Jan-79	-68.1
Feb-79	-59.2
Mar-79	-53.2
Apr-79	-48.5
May-79	-51.3
Jun-79	-57.3
Jul-79	-71.2
Aug-79	-81.8
Sep-79	-89.4
Oct-79	-88.3
Nov-79	-86.8
Dec-79	-88.3
Jan-80	-77.1
Feb-80	-66.9
Mar-80	-60.4
Apr-80	-58.1
May-80	-56.1
Jun-80	-59.4
Jul-80	-71.9
Aug-80	-81.1
Sep-80	-87.8
Oct-80	-89.4
Nov-80	-90.2
Dec-80	-89.8
Jan-81	-79.5
Feb-81	-58.6
Mar-81	-51.1
Apr-81	-51.3
May-81	-50.1
Jun-81	-54.4
Jul-81	-61.5
Aug-81	-67.4
Sep-81	-80.6
Oct-81	-77.6

WATER CONSERVATION – SUMMARY – GROUND WATER
--

GROUND WATER FLUCTUATION:

Location: Coastal Plain, City of Long Beach

Ground Surface Elevation: 88.8 ft above MSL

STATION	906D
	WS Elev.
Nov-81	-73.4
Dec-81	-64.9
Jan-82	-63.2
Feb-82	-45.5
Mar-82	-45.5
Apr-82	-45.6
May-82	-47.2
Jun-82	-48
Jul-82	-59.3
Aug-82	-73.6
Sep-82	-76.3
Oct-82	-75.3
Dec-82	-60.8
Jan-83	-52.7
Feb-83	-51.2
Mar-83	-43.8
Apr-83	-45.9
May-83	-44.9
Jun-83	-53.9
Jul-83	-53.9
Aug-83	-59.3
Sep-83	-48.3
Oct-83	-48.5
Nov-83	-35.8
Dec-83	-25.7
Jan-84	-9.8
Feb-84	-16.2
Mar-84	-10.9
Apr-84	-22.8
May-84	-28.3
Jun-84	-39.5
Jul-84	-48.2
Aug-84	-50.8
Sep-84	-55
Oct-84	-54.5
Nov-84	-50.9
Dec-84	-42.6

WATER CONSERVATION – SUMMARY – GROUND WATER
--

GROUND WATER FLUCTUATION:

Location: Coastal Plain, City of Long Beach

Ground Surface Elevation: 88.8 ft above MSL

STATION	906D
	WS Elev.
Jan-85	-32.8
May-85	-34.2
Jun-85	-39.6
Jul-85	-45.5
Aug-85	-48.8
Sep-85	-47.7
Oct-85	-47.2
Nov-85	-46.3
Dec-85	-43.2
Jan-86	-30.4
Mar-86	-27.7
Apr-86	-35.7
May-86	-37.6
Jun-86	-40.2
Jul-86	-46
Aug-86	-50.5
Sep-86	-54.8
Oct-86	-51.2
Nov-86	-49.2
Dec-86	-48.5
Jan-87	-45.5
Feb-87	-40.1
Mar-87	-34.8
Apr-87	-39.2
May-87	-41.1
Jun-87	-41.7
Jul-87	-43.5
Aug-87	-49.3
Sep-87	-52
Oct-87	-54.6
Nov-87	-52.6
Dec-87	-49.8
Jan-88	-41.6
Feb-88	-37.8
Mar-88	-38
Apr-88	-41.7
May-88	-45.4

WATER CONSERVATION – SUMMARY – GROUND WATER

GROUND WATER FLUCTUATION:

Location: Coastal Plain, City of Long Beach

Ground Surface Elevation: 88.8 ft above MSL

STATION	906D
	WS Elev.
Jun-88	-45.4
Jul-88	-53.6
Aug-88	-63.1
Sep-88	-63.8
Oct-88	-64
Nov-88	-64
Dec-88	-73.4
Jan-89	-57.4
Feb-89	-56.6
Mar-89	-59
Apr-89	-58.9
May-89	-61
Jun-89	-61
Jul-89	-71
Aug-89	-65
Sep-89	-67.5
Oct-89	-65
Nov-89	-52.9
Dec-89	-49
Jan-90	-47.1
Feb-90	-45.8
Mar-90	-47.4
Apr-90	-36.1
May-90	-35.9
Jun-90	-57.1
Jul-90	-65.7
Aug-90	-75.5
Sep-90	-71.3
Oct-90	-70.8
Nov-90	-55.9
Dec-90	-39.2
Jan-91	-29.2
Feb-91	-32.2
Mar-91	-32.1
Apr-91	-58.2
May-91	-30
Jun-91	-61.1

WATER CONSERVATION – SUMMARY – GROUND WATER

GROUND WATER FLUCTUATION:

Location: Coastal Plain, City of Long Beach

Ground Surface Elevation: 88.8 ft above MSL

STATION	906D
	WS Elev.
Jul-91	-65.3
Aug-91	-61.5
Oct-91	-61.5
Nov-91	-54.5
Dec-91	-49.6
Jan-92	-41.1
Feb-92	-43
Mar-92	-36.4
Apr-92	-34.8
May-92	-38.6
Jun-92	-48.4
Jul-92	-57.3
Aug-92	-60.8
Sep-92	-54
Oct-92	-51.5
Nov-92	-56.8
Dec-92	-59.2
Jan-93	-58.3
Feb-93	-58.2
Mar-93	-56.6
Apr-93	-30.4
May-93	-47
Jun-93	-34.6
Jul-93	-25.3
Aug-93	-17.7
Sep-93	-16.7
Oct-93	-14.8
Nov-93	-13.2
Dec-93	-8.7
Jan-94	-5.4
Feb-94	-8.5
Mar-94	-2
Apr-94	-0.5
Jun-94	-22.8
Jul-94	-37.7
Aug-94	-42.4
Sep-94	-48.1

WATER CONSERVATION – SUMMARY – GROUND WATER
--

GROUND WATER FLUCTUATION:

Location: Coastal Plain, City of Long Beach

Ground Surface Elevation: 88.8 ft above MSL

STATION	906D
	WS Elev.
Oct-94	-41.3
Nov-94	-26.5
Dec-94	-15.6
Jan-95	-13.2
Feb-95	-19.3
Mar-95	-21.2
Apr-95	-23.1
May-95	-27.3
Jun-95	-23.4
Jul-95	-30.2
Aug-95	-33
Sep-95	-35.9
Oct-95	-31.4
Nov-95	-19.5
Dec-95	-12.7
Jan-96	-8.9
Feb-96	-6.1
Mar-96	-0.7
Apr-96	8.2
May-96	-7.1
Jun-96	-19.7
Jul-96	-30.8
Aug-96	-41
Sep-96	-49
Oct-96	-38
Nov-96	-22.2
Dec-96	-48.2
Jan-97	-5.4
Feb-97	-1.4
Mar-97	3.2
Apr-97	-2.1
May-97	-33.2
Jun-97	-52
Jul-97	-66.2
Aug-97	-73.7
Sep-97	-80.7
Oct-97	-65.4

WATER CONSERVATION – SUMMARY – GROUND WATER
--

GROUND WATER FLUCTUATION:

Location: Coastal Plain, City of Long Beach

Ground Surface Elevation: 88.8 ft above MSL

STATION	906D
	WS Elev.
Nov-97	-53.5
Dec-97	-36.5
Jan-98	-28
Feb-98	-19.2
Mar-98	-11.4
Apr-98	-6.5
May-98	-15.2
Jun-98	-45.8
Jul-98	-56.5
Aug-98	-71
Sep-98	-74.6
Oct-98	-67.4
Nov-98	-50.7
Dec-98	-30.2
Feb-99	-17.2
Mar-99	-11.2
Apr-99	-7
May-99	-20.7
Jun-99	-43.2
Jul-99	-63.7
Sep-99	-80.8
Oct-99	-58.2
Nov-99	-43.5
Dec-99	-38.7
Jan-00	-30.3
Feb-00	-5.4
Mar-00	-16
Apr-00	-11.2
May-00	-29.4
Jun-00	-57
Jul-00	-67.2
Aug-00	-78.3
Sep-00	-86
Oct-00	-67.7
Nov-00	-54.7
Dec-00	-44.7
01-Jan	-36.1

WATER CONSERVATION – SUMMARY – GROUND WATER

GROUND WATER FLUCTUATION:

Location: Coastal Plain, City of Long Beach

Ground Surface Elevation: 88.8 ft above MSL

STATION	906D
	WS Elev.
01-Feb	-34.8
01-Mar	-29.2
01-Apr	-22.5
01-May	-42.2
01-Jun	-66.3
01-Jul	-71.8
01-Aug	-78.9
01-Sep	-84.8
01-Oct	-74
01-Nov	-52.2
02-Jan	-34.4
02-Feb	-33
02-Mar	-26.9
02-Apr	-21.1
02-May	-37.9
02-Jun	-40.7
02-Jul	-70.6
02-Aug	-73.2
02-Sep	-80
02-Oct	-73.5
02-Nov	-58.3
02-Dec	-48.4
03-Jan	-37.5
03-Feb	-35.4
03-Mar	-29.6
03-Apr	-26.8
03-May	-41.2
03-Jun	-50
03-Jul	-54
03-Aug	-53.2
03-Sep	-53.1
03-Oct	-41.4
03-Nov	-39.2
03-Dec	-39.4
04-Jan	-37.3
04-Feb	-32
04-Mar	-25.5

WATER CONSERVATION – SUMMARY – GROUND WATER

GROUND WATER FLUCTUATION:

Location: Coastal Plain, City of Long Beach

Ground Surface Elevation: 88.8 ft above MSL

STATION	906D
	WS Elev.
04-Apr	-19.5
04-May	-23.1
04-Jun	-29.2
04-Jul	-49
04-Aug	-59
04-Sep	-68.2
04-Oct	-65.5
04-Nov	-49.5
05-Jan	-36
05-Feb	-26.4
05-Mar	-50.7
05-May	-64.2
05-May	-15.7
05-Jun	-18.7
05-Jul	-28.4
05-Aug	-41.2
05-Sep	-41.3
05-Oct	-64.1
05-Oct	-35.3
05-Nov	-27.6
05-Dec	-21.9
06-Jan	-13.4
06-Feb	-12.0
06-Mar	-6.1
06-Mar	-6.1
06-Apr	-2.0
06-Apr	-2.2
06-May	-9.7
06-Jun	-24.1
06-Jul	-35.9
06-Aug	-40.2
06-Sep	-47.8

WATER CONSERVATION – SUMMARY – GROUND WATER

GROUND WATER FLUCTUATION:

Location: Central Basin

Ground Surface Elevation: 159.7 ft above MSL

STATION	1601T
	WS Elev.
Jul-64	91.8
Aug-64	89
Sep-64	80
Oct-64	75
Nov-64	75.5
Dec-64	84.3
Jan-65	109.2
Feb-65	102.8
Mar-65	105.4
Apr-65	110
May-65	109.6
Jun-65	115.2
Jul-65	114.3
Aug-65	110.4
Sep-65	102
Oct-65	98.5
Nov-65	101.6
Dec-65	104.4
Jan-66	109.2
Feb-66	114.3
Mar-66	116.9
Apr-66	118.1
May-66	120.8
Jun-66	120.8
Jul-66	118.7
Aug-66	112.2
Sep-66	109
Oct-66	112
Nov-66	115.8
Dec-66	115.7
Jan-67	120.9
Feb-67	120.4
Mar-67	120.4
Apr-67	120.4
May-67	123.9
Jun-67	124.3
Jul-67	119.1
Aug-67	112.4

WATER CONSERVATION – SUMMARY – GROUND WATER

GROUND WATER FLUCTUATION:

Location: Central Basin

Ground Surface Elevation: 159.7 ft above MSL

STATION	1601T
	WS Elev.
Sep-67	106.2
Oct-67	109.8
Nov-67	113.1
Dec-67	114.9
Jan-68	115.9
Feb-68	116.3
Mar-68	114.4
Apr-68	115.3
May-68	114.7
Jun-68	113.5
Jul-68	111.6
Aug-68	108.7
Sep-68	105.9
Oct-68	109.4
Nov-68	113
Dec-68	112
Jan-69	107.2
Feb-69	111
Mar-69	116
Apr-69	120.9
May-69	121.7
Jun-69	120.6
Jul-69	119.7
Aug-69	116.7
Sep-69	112.6
Oct-69	107.9
Nov-69	104.7
Dec-69	109.6
Jan-70	113.8
Feb-70	115.3
Mar-70	119.5
Apr-70	121.7
May-70	117.8
Jun-70	113.8
Jul-70	111.1
Aug-70	106.8
Sep-70	103.9
Oct-70	101.3

WATER CONSERVATION – SUMMARY – GROUND WATER

GROUND WATER FLUCTUATION:

Location: Central Basin

Ground Surface Elevation: 159.7 ft above MSL

STATION	1601T
	WS Elev.
Nov-70	106.9
Dec-70	112.5
Jan-71	117
Feb-71	115.9
Mar-71	117.3
Apr-71	117
May-71	113.3
Jun-71	110.7
Jul-71	107.4
Aug-71	106.2
Sep-71	102.6
Oct-71	100.6
Nov-71	100.8
Dec-71	103
Jan-72	107
Feb-72	109.5
Mar-72	105.8
Apr-72	98.7
May-72	94.6
Jun-72	90.1
Jul-72	86.2
Aug-72	80.3
Sep-72	76.3
Oct-72	73.2
Nov-72	71.1
Dec-72	75.8
Jan-73	83
Feb-73	88.7
Mar-73	97.9
Apr-73	103.1
May-73	101.9
Jun-73	104.1
Jul-73	105.5
Aug-73	106.4
Sep-73	107.1
Oct-73	103.7
Nov-73	104.4
Dec-73	106

WATER CONSERVATION – SUMMARY – GROUND WATER

GROUND WATER FLUCTUATION:

Location: Central Basin

Ground Surface Elevation: 159.7 ft above MSL

STATION	1601T
	WS Elev.
Jan-74	109.3
Feb-74	105.7
Mar-74	108.7
Apr-74	111.7
May-74	112.8
Jun-74	111.8
Jul-74	108.2
Aug-74	105.1
Sep-74	102.6
Oct-74	101.4
Nov-74	99.7
Dec-74	100
Jan-75	101.7
Feb-75	101.7
Mar-75	103.4
Apr-75	105.7
May-75	103.7
Jun-75	104.1
Jul-75	104.8
Aug-75	100.9
Sep-75	96.7
Oct-75	93.4
Nov-75	91.4
Dec-75	90.1
Jan-76	89.3
Feb-76	89.7
Mar-76	95.3
Apr-76	93
May-76	93.6
Jun-76	84.3
Jul-76	88.3
Aug-76	85.5
Sep-76	77.9
Oct-76	77.7
Nov-76	74.1
Dec-76	69.8
Jan-77	69.2
Feb-77	79.8

WATER CONSERVATION – SUMMARY – GROUND WATER

GROUND WATER FLUCTUATION:

Location: Central Basin

Ground Surface Elevation: 159.7 ft above MSL

STATION	1601T
	WS Elev.
Mar-77	89
Apr-77	87.6
May-77	81.7
Jun-77	80.2
Jul-77	74.9
Aug-77	70.2
Sep-77	67.1
Oct-77	64.5
Nov-77	61.7
Dec-77	59
Jan-78	65.2
Feb-78	81.7
Mar-78	91.8
Apr-78	96.8
May-78	101.5
Jun-78	103.4
Jul-78	101.2
Aug-78	101.4
Sep-78	101.1
Oct-78	102.8
Nov-78	104.6
Dec-78	107.8
Jan-79	111.4
Feb-79	114.4
Mar-79	115.3
Apr-79	116.4
May-79	113.5
Jun-79	114.5
Jul-79	111.4
Aug-79	112
Sep-79	113.1
Oct-79	113.7
Nov-79	112.7
Dec-79	114.1
Jan-80	113.4
Feb-80	117.4
Mar-80	119.9
Apr-80	123

WATER CONSERVATION – SUMMARY – GROUND WATER

GROUND WATER FLUCTUATION:

Location: Central Basin

Ground Surface Elevation: 159.7 ft above MSL

STATION	1601T
	WS Elev.
May-80	122.5
Jun-80	121.3
Jul-80	119
Aug-80	113.6
Sep-80	108.8
Oct-80	107
Nov-80	109
Dec-80	112
Jan-81	114.2
Feb-81	115.1
Mar-81	115.9
Apr-81	116.4
May-81	115.5
Jun-81	114.2
Jul-81	111.6
Aug-81	110.5
Sep-81	110.8
Oct-81	110.6
Nov-81	109
Dec-81	108.6
Jan-82	111.2
Feb-82	114.5
Mar-82	115.1
Apr-82	117.3
May-82	115
Jun-82	110.4
Jul-82	107.9
Aug-82	104.7
Sep-82	100.3
Oct-82	103.1
Nov-82	108.3
Dec-82	113.6
Jan-83	115.3
Feb-83	117
Mar-83	120.4
Apr-83	123.5
May-83	124.5
Jun-83	122.9

WATER CONSERVATION – SUMMARY – GROUND WATER

GROUND WATER FLUCTUATION:

Location: Central Basin

Ground Surface Elevation: 159.7 ft above MSL

STATION	1601T
	WS Elev.
Jul-83	122.4
Aug-83	122.5
Sep-83	117.6
Oct-83	116.1
Nov-83	121.1
Dec-83	122.7
Jan-84	123.7
Feb-84	120.5
Mar-84	116
Apr-84	117.6
May-84	120.9
Jun-84	121.6
Jul-84	120.2
Aug-84	114.2
Sep-84	109.4
Oct-84	104.5
Nov-84	99.8
Jan-85	113.4
Feb-85	113.4
May-85	119.3
Jun-85	119.2
Jul-85	117.8
Aug-85	110.2
Sep-85	104.6
Oct-85	99.5
Nov-85	95.9
Dec-85	97.6
Jan-86	98.1
Feb-86	101.7
Mar-86	111.2
Apr-86	115.9
May-86	117.8
Jun-86	119.2
Jul-86	113.7
Aug-86	105.8
Sep-86	102
Oct-86	100.8
Nov-86	98.6

WATER CONSERVATION – SUMMARY – GROUND WATER

GROUND WATER FLUCTUATION:

Location: Central Basin

Ground Surface Elevation: 159.7 ft above MSL

STATION	1601T
	WS Elev.
Dec-86	99.5
Jan-87	105.3
Feb-87	108.6
Mar-87	111
Apr-87	111.5
May-87	110.8
Jun-87	108.1
Jul-87	101.1
Aug-87	98.2
Sep-87	96.5
Oct-87	98.2
Nov-87	99.5
Dec-87	102.5
Jan-88	101.8
Feb-88	98.9
Mar-88	97.7
Apr-88	97.8
May-88	101.6
Jun-88	105.7
Jul-88	106.7
Aug-88	101.7
Sep-88	94.1
Oct-88	91.1
Nov-88	89
Dec-88	89.6
Jan-89	98.3
Feb-89	103.3
Mar-89	106.4
Apr-89	108.4
May-89	109.5
Jun-89	107.8
Jul-89	106.8
Aug-89	103.7
Sep-89	99.4
Oct-89	95.2
Nov-89	93.1
Dec-89	96.4
Jan-90	96.4

WATER CONSERVATION – SUMMARY – GROUND WATER

GROUND WATER FLUCTUATION:

Location: Central Basin

Ground Surface Elevation: 159.7 ft above MSL

STATION	1601T
	WS Elev.
Feb-90	100.2
Mar-90	106.6
Apr-90	110.4
May-90	113.9
Jun-90	113
Jul-90	112.7
Aug-90	107.7
Sep-90	103.8
Oct-90	104.5
Nov-90	105.2
Dec-90	104
Jan-91	102
Feb-91	107.2
Mar-91	106.1
Apr-91	120.8
May-91	113.8
Jun-91	110.5
Jul-91	107.1
Aug-91	107.2
Sep-91	109.1
Oct-91	111.4
Nov-91	115
Dec-91	115.6
Jan-92	116
Feb-92	115.7
Mar-92	119.7
Apr-92	121.1
May-92	118.7
Jun-92	115.7
Jul-92	116.8
Aug-92	118.6
Sep-92	114.8
Oct-92	111.7
Nov-92	115.7
Dec-92	116
Jan-93	121.1
Feb-93	125.3
Mar-93	125.3

WATER CONSERVATION – SUMMARY – GROUND WATER

GROUND WATER FLUCTUATION:

Location: Central Basin

Ground Surface Elevation: 159.7 ft above MSL

STATION	1601T
	WS Elev.
Apr-93	129.2
May-93	127.3
Jun-93	123.5
Jul-93	123.7
Aug-93	123
Sep-93	123
Oct-93	120.4
Nov-93	120.7
Dec-93	121.6
Jan-94	124.5
Feb-94	124.3
Mar-94	126.6
Apr-94	127
May-94	126
Jun-94	126.3
Jul-94	126
Aug-94	121.9
Sep-94	115.2
Oct-94	110
Nov-94	110.5
Dec-94	113.1
Jan-95	117
Feb-95	124.8
Mar-95	126.9
Apr-95	129.5
May-95	128.6
Jun-95	126.9
Jul-95	125.7
Aug-95	121.8
Sep-95	116.3
Oct-95	111.8
Nov-95	113
Dec-95	113.7
Jan-96	115.9
Feb-96	119.7
Mar-96	126.1
Apr-96	128.5
May-96	128

WATER CONSERVATION – SUMMARY – GROUND WATER

GROUND WATER FLUCTUATION:

Location: Central Basin

Ground Surface Elevation: 159.7 ft above MSL

STATION	1601T
	WS Elev.
Jun-96	124.4
Jul-96	125.9
Aug-96	123.2
Sep-96	119.7
Oct-96	119.2
Nov-96	116.7
Dec-96	117.9
Jan-97	117
Feb-97	129.8
Mar-97	127.9
Apr-97	125.5
May-97	127.1
Jun-97	125.2
Jul-97	124.8
Aug-97	123.1
Sep-97	118
Oct-97	115.7
Nov-97	112.7
Dec-97	113.2
Jan-98	117.5
Feb-98	122.6
Mar-98	127.2
Apr-98	129.2
May-98	129.1
Jun-98	127.3
Jul-98	126.1
Aug-98	123.3
Sep-98	119.2
Oct-98	116.8
Nov-98	115.7
Dec-98	116.5
Jan-99	114.4
Feb-99	117.7
Mar-99	117.6
Apr-99	120.1
May-99	117.3
Jun-99	115.4
Jul-99	109.4

WATER CONSERVATION – SUMMARY – GROUND WATER

GROUND WATER FLUCTUATION:

Location: Central Basin

Ground Surface Elevation: 159.7 ft above MSL

STATION	1601T
	WS Elev.
Aau-99	105.4
Sep-99	100.9
Oct-99	97.3
Nov-99	95.9
Dec-99	96.8
Jan-00	103.3
Feb-00	113.6
Mar-00	119.5
Apr-00	119.9
May-00	119.2
Jun-00	118
Jul-00	114
Aug-00	108.8
Oct-00	103.7
Nov-00	105.7
Dec-00	108.3
01-Jan	107.8
01-Feb	110.5
01-Mar	117
01-Apr	117.1
01-May	114.3
01-Jun	110.7
01-Jul	106.7
01-Aug	100.7
01-Sep	98.1
01-Oct	97.1
01-Nov	98
01-Dec	106
02-Jan	113.5
02-Feb	113
02-Mar	111.1
02-Apr	110
02-May	108.5
02-Jun	106.5
02-Jul	105.4
02-Aug	101.4
02-Sep	95.7
02-Oct	93.2

WATER CONSERVATION – SUMMARY – GROUND WATER

GROUND WATER FLUCTUATION:

Location: Central Basin

Ground Surface Elevation: 159.7 ft above MSL

STATION	1601T
	WS Elev.
02-Nov	99.1
02-Dec	108.7
03-Jan	111.9
03-Feb	113.6
03-Mar	117.6
03-Apr	117.9
03-May	115.9
03-Jun	108.7
03-Jul	100.7
03-Aug	94.9
03-Sep	88.8
03-Oct	85.8
03-Nov	86.6
03-Dec	87.3
04-Jan	90.5
04-Feb	97.9
04-Mar	105.1
04-Apr	101.5
04-May	94.9
04-Jun	90.3
04-Jul	88
04-Aug	83.7
04-Sep	79.2
04-Oct	85.9
04-Nov	93.2
04-Dec	103.5
05-Jan	114.2
05-Feb	117.2
05-Mar	120.4
05-May	121.6
05-May	122.2
05-Jun	120.1
05-Jul	116.8
05-Aug	111.8
05-Sep	105.9
05-Oct	103.9
05-Oct	103.0
05-Oct	103.3

WATER CONSERVATION – SUMMARY – GROUND WATER

GROUND WATER FLUCTUATION:

Location: Central Basin

Ground Surface Elevation: 159.7 ft above MSL

STATION	1601T
	WS Elev.
05-Oct	102.9
05-Nov	102.6
05-Nov	101.3
05-Nov	100.3
05-Nov	99.2
05-Dec	98.8
05-Dec	98.6
05-Dec	98.3
05-Dec	98.0
05-Dec	97.7
06-Jan	100.2
06-Jan	100.8
06-Jan	101.2
06-Jan	101.1
06-Feb	101.0
06-Feb	100.9
06-Feb	101.5
06-Feb	102.5
06-Mar	105.2
06-Mar	108.2
06-Mar	110.2
06-Mar	111.8
06-Mar	113.7
06-Apr	116.2
06-Apr	117.7
06-Apr	118.7
06-Apr	119.3
06-May	120.0
06-May	120.2
06-May	120.3
06-Jun	119.6
06-Jun	118.5
06-Jun	117.8
06-Jun	117.4
06-Jun	117.0
06-Jul	116.9
06-Jul	116.2
06-Jul	115.5

WATER CONSERVATION – SUMMARY – GROUND WATER

GROUND WATER FLUCTUATION:

Location: Central Basin

Ground Surface Elevation: 159.7 ft above MSL

STATION	1601T
	WS Elev.
06-Jul	114.3
06-Aug	113.3
06-Aug	113.5
06-Aug	113.8
06-Aug	113.9
06-Sep	114.1
06-Sep	112.9
06-Sep	111.6
06-Sep	109.9
06-Sep	109.0

WATER CONSERVATION – SUMMARY – GROUND WATER

GROUND WATER FLUCTUATION:**Location : Main San Gabriel Basin****Ground Surface Elevation: 245.0 ft above MSL**

STATION	2955X	2965C
	WS Elev.	WS Elev.
Jan-61	209.9	
Feb-61	210.5	
Mar-61	210.1	
Apr-61	210.5	
May-61	209.7	
Jun-61	208.5	
Jul-61	207.8	
Aug-61	204.9	
Sep-61	204.3	
Oct-61	205.2	
Nov-61	205.9	
Dec-61	206.1	
Jan-62	208	
Feb-62	208.5	
Mar-62	209.9	
Apr-62	210.7	
May-62	211.2	
Jun-62	210.3	
Jul-62	210	
Aug-62	209.1	
Sep-62	209.2	
Oct-62	209.5	
Nov-62	209.2	
Dec-62	209.3	
Jan-63	209.9	
Feb-63	209.8	
Mar-63	209.8	
Apr-63	209.9	
May-63	208.4	
Jun-63	207.5	
Jul-63	206.5	
Aug-63	203.4	
Sep-63	202.4	
Oct-63	201.8	
Nov-63	203.3	
Dec-63	204.3	
Jan-64	204.6	

WATER CONSERVATION – SUMMARY – GROUND WATER

GROUND WATER FLUCTUATION:**Location : Main San Gabriel Basin****Ground Surface Elevation: 245.0 ft above MSL**

STATION	2955X	2965C
	WS Elev.	WS Elev.
Feb-64	203.6	
Mar-64	202.9	
Apr-64	201.3	
Jul-64	199.8	
Aug-64	198.2	
Sep-64	195.9	
Oct-64	195.1	
Nov-64	197.4	
Dec-64	194.2	
Jan-65	199.1	
Feb-65	198.4	
Mar-65	199.1	
Apr-65	200.2	
May-65	200.3	
Jun-65	199.5	
Jul-65	199.4	
Aug-65	196.8	
Sep-65	195.1	
Oct-65	194	
Nov-65	194	
Dec-65	196.2	
Jan-66	202.1	
Feb-66	202.4	
Mar-66	205.4	
Apr-66	206.6	
May-66	207.3	
Jun-66	209.2	
Jul-66	206.4	
Aug-66	205.4	
Sep-66	204.6	
Oct-66	206.5	
Nov-66	206.3	
Dec-66	207.1	
Jan-67	208.5	
Feb-67	209.4	
Mar-67	210.2	
Apr-67	211.8	

WATER CONSERVATION – SUMMARY – GROUND WATER

GROUND WATER FLUCTUATION:**Location : Main San Gabriel Basin****Ground Surface Elevation: 245.0 ft above MSL**

STATION	2955X	2965C
	WS Elev.	WS Elev.
May-67	212.5	
Jun-67	213.6	
Jul-67	213.8	
Aug-67	213.9	
Sep-67	213.9	
Oct-67	213.8	
Nov-67	215.1	
Dec-67	215.6	
Jan-68	216.8	
Feb-68	217.8	
Mar-68	217.9	
Apr-68	217.8	
May-68	217.6	
Jun-68	217.4	
Jul-68	217.3	
Aug-68	216	
Sep-68	215.7	
Oct-68	215.4	
Nov-68	215.8	
Dec-68	215.3	
Jan-69	215.2	
Feb-69	217.6	
Mar-69	217.8	
Apr-69	218.8	
May-69	218.6	
Jun-69	218.9	
Jul-69	219.1	
Aug-69	218.9	
Sep-69	218	
Oct-69	218.3	
Nov-69	218.7	
Dec-69	218.5	
Jan-70	218.7	
Feb-70	218.5	
Mar-70	218.6	
Apr-70	218.3	
May-70	218	

WATER CONSERVATION – SUMMARY – GROUND WATER

GROUND WATER FLUCTUATION:**Location : Main San Gabriel Basin****Ground Surface Elevation: 245.0 ft above MSL**

STATION	2955X	2965C
	WS Elev.	WS Elev.
Jul-70	217.1	
Aug-70	215.5	
Sep-70	215	
Oct-70	213.8	
Nov-70	213.2	
Dec-70	213.7	
Jan-71	213.9	
Feb-71	213.6	
Mar-71	213.7	
Apr-71	213.5	
May-71	214.6	
Jun-71	214.7	
Jul-71	214.4	
Aug-71	212.8	
Oct-71	207.1	
Nov-71	211.4	
Dec-71	211.3	
Jan-72	211.7	
Feb-72	212.8	
Mar-72	212.2	
Apr-72	210	
May-72	209.6	
Jun-72	208.1	
Jul-72	206.3	
Aug-72	206.7	
Sep-72	204.3	
Oct-72	202.9	
Nov-72	202.9	
Dec-72	204.5	
Jan-73	204.7	
Feb-73	205.7	
Mar-73	206.1	
Apr-73	206.6	
May-73	207.4	
Jun-73	207.8	
Jul-73	207.5	
Aug-73	207.5	

WATER CONSERVATION – SUMMARY – GROUND WATER

GROUND WATER FLUCTUATION:

Location : Main San Gabriel Basin

Ground Surface Elevation: 245.0 ft above MSL

STATION	2955X	2965C
	WS Elev.	WS Elev.
Sep-73	207.2	
Oct-73	207.5	
Nov-73	206.7	
Dec-73	207.9	
Jan-74	207.8	
Feb-74	208.5	
Mar-74	208.5	
Apr-74	208.4	
May-74	208	
Jun-74	207.3	
Jul-74	206.5	
Aug-74	205.7	
Sep-74	205.4	
Oct-74	205.2	
Nov-74	205.2	
Dec-74	205	
Jan-75	205.2	
Feb-75	205	
Mar-75	205.3	
Apr-75	205	
May-75	204.2	
Jun-75	204.5	
Jul-75	204.2	
Aug-75	202.7	
Sep-75	201.8	
Oct-75	200.9	
Nov-75	200.6	
Dec-75	199.8	
Jan-76	200	
Feb-76	199.9	
Mar-76	200.2	
Apr-76	199.9	
May-76	199.1	
Jun-76	198.3	
Jul-76	198.1	
Aug-76	197	
Sep-76	194.8	

WATER CONSERVATION – SUMMARY – GROUND WATER

GROUND WATER FLUCTUATION:**Location : Main San Gabriel Basin****Ground Surface Elevation: 245.0 ft above MSL**

STATION	2955X	2965C
	WS Elev.	WS Elev.
Oct-76	194.5	
Nov-76	193.9	
Dec-76	193.4	
Jan-77	193.5	
Feb-77	194.1	
Mar-77	194.4	
Apr-77	194	
May-77	193	
Jun-77	192.5	
Jul-77	191.4	
Aug-77	188.9	
Sep-77	188.5	
Oct-77	187.1	
Nov-77	186.3	
Dec-77	185.6	
Jan-78	186.6	
Feb-78	191.3	
Mar-78	194.9	
Apr-78	199.9	
May-78	201.2	
Jun-78	202.7	
Jul-78	203.8	
Aug-78	204.5	
Sep-78	205.6	
Oct-78	206.1	
Nov-78	207.2	
Dec-78	207.9	
Jan-79	209.2	
Feb-79	209.9	
Mar-79	210.8	
Jul-79	211.4	
Sep-79	211.1	
Oct-79	211.2	
Nov-79	211.4	
Dec-79	211.1	
Jan-80	211.6	
Feb-80	213.5	

WATER CONSERVATION – SUMMARY – GROUND WATER

GROUND WATER FLUCTUATION:**Location : Main San Gabriel Basin****Ground Surface Elevation: 245.0 ft above MSL**

STATION	2955X	2965C
	WS Elev.	WS Elev.
Mar-80	214.5	
Apr-80	214.4	
May-80	214.8	
Jun-80	214.9	
Jul-80	214.6	
Aug-80	214.5	
Sep-80	214.5	
Oct-80	214.6	
Nov-80	214.8	
Dec-80	214.9	
Jan-81	214.9	
Feb-81	215.1	
Mar-81	215.5	
Apr-81	214.9	
May-81	212.7	
Jun-81	213.5	
Jul-81	213.2	
Aug-81	211.8	
Sep-81	212.1	
Jan-82	210.3	
Apr-82	210.7	
May-82	210.4	
Aug-82	208.7	
Sep-82	208.4	
Oct-82	208.1	
Nov-82	208.5	
Dec-82	209.2	
Jan-83	209.5	
Feb-83	210.8	
Mar-83	212.7	
Apr-83	213.5	
May-83	214.3	
Jun-83	214.4	
Jul-83	215	
Aug-83	215.1	
Sep-83	215.7	
Oct-83	216.2	

WATER CONSERVATION – SUMMARY – GROUND WATER

GROUND WATER FLUCTUATION:**Location : Main San Gabriel Basin****Ground Surface Elevation: 245.0 ft above MSL**

STATION	2955X	2965C
	WS Elev.	WS Elev.
Nov-83	216.9	
Dec-83	217.3	
Jan-84	217.6	
Feb-84	217.6	
Mar-84	217.3	
Apr-84	217.3	
May-84	216.5	
Jun-84	216	
Jul-84	215.6	
Aug-84	214.2	
Sep-84	213.7	
Oct-84	212.5	
Nov-84	213.1	
Dec-84	213.5	
Jan-85	213.6	
Feb-85	213.5	
Jun-85	211.7	
Jul-85	210.1	
Aug-85	209.2	
Sep-85	207.9	
Oct-85	207.7	
Nov-85	207.3	
Dec-85	208	
Jan-86	207.8	
Feb-86	208	
Mar-86	209.5	
Apr-86	209.8	
May-86	209.3	
Jun-86	209	
Jul-86	207.6	
Aug-86	206.1	
Sep-86	205.9	
Oct-86	204	
Nov-86	204.4	
Dec-86	204.5	
Jan-87	204.7	217.5
Feb-87	204.6	217.5

WATER CONSERVATION – SUMMARY – GROUND WATER

GROUND WATER FLUCTUATION:**Location : Main San Gabriel Basin****Ground Surface Elevation: 245.0 ft above MSL**

STATION	2955X	2965C
	WS Elev.	WS Elev.
Mar-87	204.5	217.8
Apr-87	204.4	217.7
May-87	203.1	217
Jun-87	202.8	216.8
Jul-87	204.3	215.9
Aug-87	203.3	215.2
Sep-87	202.5	214.5
Oct-87	201.3	213.4
Nov-87	202.6	213.5
Dec-87	202.5	213.4
Jan-88	202.5	213.1
Feb-88	196.8	212.9
Mar-88	200.2	212.9
Apr-88	199.9	212.6
May-88	197.3	212.8
Jun-88	200.7	212.6
Jul-88	200.5	211.6
Aug-88	199	210.5
Sep-88	196.7	209
Oct-88	196.1	207.9
Nov-88	188.2	207
Dec-88	190.3	206.9
Jan-89	198.2	207.7
Jul-89		207.4
Aug-89	200.5	213.1
Sep-89		203
Nov-89	192.7	201.4
Dec-89	193.3	201.9
Jan-90	195.5	200.4
Feb-90	197.6	197.1
Mar-90	204.7	197
Apr-90	188.4	
May-90	190.8	199.5
Jun-90	191.4	
Nov-90		199.4
Apr-92		201
Mar-93		219.1

WATER CONSERVATION – SUMMARY – GROUND WATER

GROUND WATER FLUCTUATION:**Location : Main San Gabriel Basin****Ground Surface Elevation: 245.0 ft above MSL**

STATION	2955X	2965C
	WS Elev.	WS Elev.
Sep-93		220
Apr-94		222.3
Oct-94		217.8
Apr-95		220.2
Apr-96		223.3
Oct-96		220
May-97		220.1
Oct-97		215.4
Apr-98		219
Oct-98		220.2
Apr-99		220.7
Nov-99		216.4
Mar-00		216.1
Sep-00		218.1
01-Apr		213.4
01-Oct		215.3
02-May		215
02-Nov		205.7
03-Apr		206.6

WATER CONSERVATION – SUMMARY – GROUND WATER
--

GROUND WATER FLUCTUATION:**Location: Main San Gabriel Basin, Baldwin Park****Ground Surface Elevation: 386.7 ft above MSL**

STATION	3030F
	WS Elev.
Jan-60	250.4
Feb-60	250.8
Mar-60	251
Apr-60	250.4
May-60	248.9
Jun-60	247.3
Jul-60	244.8
Aug-60	241.4
Sep-60	239
Oct-60	235.8
Nov-60	236.1
Dec-60	236.7
Jan-61	236.7
Feb-61	236.5
Mar-61	236.5
Apr-61	236.1
May-61	235.1
Jun-61	233.6
Jul-61	231.4
Aug-61	228.9
Sep-61	226.6
Oct-61	225
Nov-61	224.1
Dec-61	224.2
Jan-62	225.3
Feb-62	225.4
Mar-62	233.6
Apr-62	245
May-62	243.7
Jun-62	242.1
Jul-62	240.1
Aug-62	239.2
Sep-62	240.4
Oct-62	238.8
Nov-62	238.3
Dec-62	238
Jan-63	237.6
Feb-63	236.5

WATER CONSERVATION – SUMMARY – GROUND WATER
--

GROUND WATER FLUCTUATION:**Location: Main San Gabriel Basin, Baldwin Park****Ground Surface Elevation: 386.7 ft above MSL**

STATION	3030F
	WS Elev.
Mar-63	236
Apr-63	235.4
May-63	233.6
Jun-63	233
Jul-63	228.1
Aug-63	225
Sep-63	223.7
Oct-63	223.2
Nov-63	223.7
Dec-63	223.7
Jan-64	223.6
Feb-64	222.9
Mar-64	222.3
Apr-64	221.6
May-64	220.3
Jun-64	219.2
Jul-64	217.4
Aug-64	215.6
Sep-64	213.8
Oct-64	212.2
Nov-64	211.2
Dec-64	211.6
Jan-65	212
Feb-65	212.1
Mar-65	212
Apr-65	212.6
May-65	222.9
Jun-65	211.7
Jul-65	211.9
Aug-65	211.8
Sep-65	209.8
Oct-65	209.2
Nov-65	209.2
Dec-65	211.3
Jan-66	233.6
Feb-66	251.5
Mar-66	252.5
Apr-66	254.7

WATER CONSERVATION – SUMMARY – GROUND WATER

GROUND WATER FLUCTUATION:**Location: Main San Gabriel Basin, Baldwin Park****Ground Surface Elevation: 386.7 ft above MSL**

STATION	3030F
	WS Elev.
May-66	252.8
Jun-66	248.9
Jul-66	245.4
Aug-66	240.5
Sep-66	236
Oct-66	233.3
Nov-66	231.6
Dec-66	231.6
Jan-67	247.4
Feb-67	249.3
Mar-67	260
Apr-67	266.8
May-67	274.8
Jun-67	284.7
Jul-67	287.7
Aug-67	284.9
Sep-67	280.6
Oct-67	276.8
Nov-67	275.3
Dec-67	274.7
Jan-68	277
Feb-68	276.4
Mar-68	275.7
Apr-68	274.9
May-68	273.7
Jun-68	271
Jul-68	268
Aug-68	264.6
Sep-68	260.4
Oct-68	258.5
Nov-68	256.9
Dec-68	256.3
Jan-69	256.6
Feb-69	260.4
Mar-69	278.3
Apr-69	293.9
May-69	300.3
Jun-69	301.8

WATER CONSERVATION – SUMMARY – GROUND WATER

GROUND WATER FLUCTUATION:**Location: Main San Gabriel Basin, Baldwin Park****Ground Surface Elevation: 386.7 ft above MSL**

STATION	3030F
	WS Elev.
Jul-69	298.6
Aug-69	293.3
Sep-69	288.5
Oct-69	284.1
Nov-69	280.2
Dec-69	278
Jan-70	276
Feb-70	274.5
Mar-70	273.3
Apr-70	277.4
May-70	277.7
Jun-70	274.2
Jul-70	270.8
Aug-70	266.7
Sep-70	263.2
Oct-70	260.1
Nov-70	258
Dec-70	256.6
Jan-71	257.1
Feb-71	261.3
Mar-71	262.9
Apr-71	261.6
May-71	259.6
Jun-71	257.7
Jul-71	255
Aug-71	251.5
Sep-71	248.1
Oct-71	245.2
Nov-71	243.6
Dec-71	242.8
Jan-72	242.1
Feb-72	243.2
Mar-72	243.1
Apr-72	242.2
May-72	240.3
Jun-72	237.9
Jul-72	234.7
Aug-72	230.9

WATER CONSERVATION – SUMMARY – GROUND WATER
--

GROUND WATER FLUCTUATION:**Location: Main San Gabriel Basin, Baldwin Park****Ground Surface Elevation: 386.7 ft above MSL**

STATION	3030F
	WS Elev.
Sep-72	228.1
Oct-72	226.1
Nov-72	224.9
Dec-72	225.3
Jan-73	226.7
Feb-73	226.3
Mar-73	229.7
Apr-73	244.7
May-73	250.3
Jun-73	250.8
Jul-73	247.4
Aug-73	243.6
Sep-73	239.3
Oct-73	236.9
Nov-73	235
Dec-73	234.7
Jan-74	234.8
Feb-74	237
Mar-74	240.7
Apr-74	240.6
May-74	240
Jun-74	238.7
Jul-74	238.5
Aug-74	237.1
Sep-74	235.6
Oct-74	233.5
Nov-74	231.8
Dec-74	230.6
Jan-75	230.2
Feb-75	229.3
Mar-75	228.6
Apr-75	228.8
May-75	230.2
Jun-75	232.6
Jul-75	234.8
Aug-75	231.5
Sep-75	227.5
Oct-75	224.9

WATER CONSERVATION – SUMMARY – GROUND WATER
--

GROUND WATER FLUCTUATION:**Location: Main San Gabriel Basin, Baldwin Park****Ground Surface Elevation: 386.7 ft above MSL**

STATION	3030F
	WS Elev.
Nov-75	224.5
Dec-75	223.7
Jan-76	224.7
Feb-76	223.2
Mar-76	222.6
Apr-76	225.9
May-76	226.1
Jun-76	223.4
Jul-76	220.2
Aug-76	217.2
Sep-76	214.7
Oct-76	214
Nov-76	214
Dec-76	213.8
Jan-77	212.5
Feb-77	213.8
Mar-77	215.5
Apr-77	214.5
May-77	212.8
Jun-77	212.3
Jul-77	211
Aug-77	208.6
Sep-77	207
Oct-77	205.7
Nov-77	204.9
Dec-77	203.7
Jan-78	203.7
Feb-78	210
Mar-78	229.7
Apr-78	244.9
May-78	254.5
Jun-78	262.5
Jul-78	270.4
Aug-78	266.9
Sep-78	260.9
Oct-78	258.6
Nov-78	256.1
Dec-78	255.5

WATER CONSERVATION – SUMMARY – GROUND WATER
--

GROUND WATER FLUCTUATION:**Location: Main San Gabriel Basin, Baldwin Park****Ground Surface Elevation: 386.7 ft above MSL**

STATION	3030F
	WS Elev.
Jan-79	253.8
Feb-79	256.3
Mar-79	257.8
Apr-79	262.2
May-79	267.2
Jun-79	268.6
Jul-79	266
Aug-79	262
Sep-79	257.7
Oct-79	254
Nov-79	251.6
Dec-79	250.5
Jan-80	249.9
Feb-80	249.3
Mar-80	255.7
Apr-80	267
May-80	278
Jun-80	284.9
Jul-80	281.6
Aug-80	276.7
Sep-80	272
Oct-80	268.6
Nov-80	265.2
Dec-80	263.1
Jan-81	262.7
Feb-81	261.5
Mar-81	260.4
Apr-81	259.5
May-81	257.7
Jun-81	255.3
Jul-81	251.9
Aug-81	248.2
Sep-81	245.3
Oct-81	242.8
Nov-81	241.7
Dec-81	241.3
Jan-82	242.4
Feb-82	244.6

WATER CONSERVATION – SUMMARY – GROUND WATER
--

GROUND WATER FLUCTUATION:**Location: Main San Gabriel Basin, Baldwin Park****Ground Surface Elevation: 386.7 ft above MSL**

STATION	3030F
	WS Elev.
Mar-82	247.2
Apr-82	249.7
May-82	249.1
Jun-82	247.5
Jul-82	245.1
Aug-82	243.6
Sep-82	241.2
Oct-82	240.5
Nov-82	245.6
Dec-82	249.9
Jan-83	252.3
Feb-83	253.2
Mar-83	256.8
Apr-83	271.4
May-83	279.8
Jun-83	286.9
Jul-83	293.9
Aug-83	293.8
Sep-83	288.3
Oct-83	283.2
Nov-83	280.9
Dec-83	282.5
Jan-84	280.9
Feb-84	281.9
Mar-84	279.8
Apr-84	276.6
May-84	273.7
Jun-84	270
Jul-84	266.4
Aug-84	262.4
Sep-84	258.7
Oct-84	254
Nov-84	253.5
Dec-84	252.7
Jan-85	252.4
Feb-85	254.4
Mar-85	252.9
Apr-85	251.5

WATER CONSERVATION – SUMMARY – GROUND WATER
--

GROUND WATER FLUCTUATION:**Location: Main San Gabriel Basin, Baldwin Park****Ground Surface Elevation: 386.7 ft above MSL**

STATION	3030F
	WS Elev.
May-85	250.1
Jun-85	248
Jul-85	245.3
Aug-85	242.1
Sep-85	239.1
Oct-85	237.5
Nov-85	238.7
Dec-85	242.2
Jan-86	245.4
Feb-86	247.1
Mar-86	247.7
Apr-86	252.9
May-86	253.9
Jun-86	252.8
Jul-86	250.2
Aug-86	247.2
Sep-86	243.3
Oct-86	240.7
Nov-86	239
Dec-86	237.4
Jan-87	239
Feb-87	239.8
Mar-87	240.7
Apr-87	241.5
May-87	241
Jun-87	238.2
Jul-87	235.9
Aug-87	232.6
Sep-87	229.9
Oct-87	227.8
Nov-87	226.8
Dec-87	226.9
Jan-88	227.8
Feb-88	230.1
Mar-88	232.5
Apr-88	230.7
May-88	228.7
Jun-88	226.1

WATER CONSERVATION – SUMMARY – GROUND WATER
--

GROUND WATER FLUCTUATION:**Location: Main San Gabriel Basin, Baldwin Park****Ground Surface Elevation: 386.7 ft above MSL**

STATION	3030F
	WS Elev.
Jul-88	223.7
Aug-88	221.9
Sep-88	219.4
Oct-88	217.7
Nov-88	216.7
Dec-88	216.2
Jan-89	218.7
Feb-89	223.6
Mar-89	225.5
Apr-89	224.1
May-89	222.3
Jun-89	225.9
Jul-89	221.4
Aug-89	218.9
Sep-89	210.2
Oct-89	211.2
Nov-89	210.4
Dec-89	209.5
Jan-90	208.8
Feb-90	207.9
Mar-90	207.7
Apr-90	207.8
May-90	209.5
Jun-90	208.3
Jul-90	205.7
Aug-90	203.5
Sep-90	201
Oct-90	191.7
Nov-90	199.8
Dec-90	200.5
Jan-91	199.8
Feb-91	198.5
Mar-91	196.7
Apr-91	198.4
May-91	200.7
Jun-91	200.7
Jul-91	198
Aug-91	199.7

WATER CONSERVATION – SUMMARY – GROUND WATER

GROUND WATER FLUCTUATION:**Location: Main San Gabriel Basin, Baldwin Park****Ground Surface Elevation: 386.7 ft above MSL**

STATION	3030F
	WS Elev.
Sep-91	212.4
Oct-91	206.3
Nov-91	209.3
Dec-91	209.9
Jan-92	210.5
Feb-92	210.9
Mar-92	215.8
Apr-92	226.1
May-92	233
Jun-92	233.5
Jul-92	237.5
Aug-92	238.1
Sep-92	235.5
Oct-92	232.1
Nov-92	230.7
Dec-92	231.5
93-JAN	238.5
Feb-93	246
Mar-93	254.8
Apr-93	263.4
May-93	269.3
Jun-93	271.3
Jul-93	266.8
Aug-93	263.6
Sep-93	259.7
Oct-93	259
Nov-93	259
Dec-93	257.1
Jan-94	255.4
Feb-94	253.2
Mar-94	251.4
Apr-94	249.3
May-94	247.8
Jun-94	249
JUL-94.	248.1
Aug-94	245.2
Sep-94	241.8
Oct-94	238.5

WATER CONSERVATION – SUMMARY – GROUND WATER
--

GROUND WATER FLUCTUATION:**Location: Main San Gabriel Basin, Baldwin Park****Ground Surface Elevation: 386.7 ft above MSL**

STATION	3030F
	WS Elev.
Nov-94	237
Dec-94	235.4
Jan-95	235.4
Feb-95	238.1
Mar-95	248.3
Apr-95	264.2
May-95	270.1
Jun-95	271.1
JUL-945	267.8
Aug-95	265.7
Sep-95	263
Oct-95	257.1
Nov-95	257.4
Dec-95	255.9
Jan-96	253.5
Feb-96	252.8
Mar-96	250.1
Apr-96	249.9
May-96	248.2
Jun-96	249.2
Jul-96	248.4
Aug-96	247.3
Sep-96	248
Oct-96	249.4
Nov-96	248.4
Dec-96	246.5
Jan-97	246.2
Feb-97	248.6
Mar-97	250.9
Apr-97	248.1
May-97	245.7
Jun-97	242.6
Jul-97	240.5
Aug-97	238.9
Sep-97	239.6
Oct-97	238.6
Nov-97	238.3
Dec-97	241.4

WATER CONSERVATION – SUMMARY – GROUND WATER
--

GROUND WATER FLUCTUATION:**Location: Main San Gabriel Basin, Baldwin Park****Ground Surface Elevation: 386.7 ft above MSL**

STATION	3030F
	WS Elev.
Jan-98	240.8
Feb-98	241.4
Mar-98	245.8
Apr-98	251.7
May-98	259
Jun-98	265.2
Jul-98	267.6
Aug-98	266.1
Sep-98	264.8
Oct-98	262.3
Nov-98	260.9
Dec-98	259.1
Jan-99	256.3
Feb-99	253.9
Mar-99	251.9
Apr-99	250.4
May-99	248
Jun-99	245.5
Jul-99	242.5
Aug-99	240.5
Sep-99	238.9
Oct-99	237.4
Nov-99	235.7
Dec-99	233.1
Jan-00	231.4
Feb-00	231
Mar-00	231
Apr-00	230.6
May-00	229.6
Jun-00	228.5
Jul-00	227.4
Aug-00	225.8
Sep-00	224.9
Oct-00	226.6
Nov-00	227.8
Dec-00	229
01-Jan	229.1
01-Feb	227.9

WATER CONSERVATION – SUMMARY – GROUND WATER

GROUND WATER FLUCTUATION:**Location: Main San Gabriel Basin, Baldwin Park****Ground Surface Elevation: 386.7 ft above MSL**

STATION	3030F
	WS Elev.
01-Mar	227.7
01-Apr	225.9
01-May	223.1
01-Jun	221.2
01-Jul	218.2
01-Aug	217.1
01-Sep	216.4
01-Oct	215.2
01-Nov	216.9
01-Dec	217.9
02-Jan	218
02-Feb	216.5
02-Mar	215.1
02-Apr	214.1
02-May	213.1
02-Jun	211.4
02-Jul	209.7
02-Aug	207.6
02-Sep	206.1
02-Oct	204.3
02-Nov	203.4
02-Dec	203.4
03-Jan	203.5
03-Feb	203.2
03-Mar	203.4
03-Apr	203.5
03-May	202.8
03-Jun	203.1
03-Jul	204.8
03-Aug	204.8
03-Sep	205.2
03-Oct	210.1
03-Nov	209.7
03-Dec	209.4
04-Jan	210.9
04-Feb	212.5
04-Mar	212.2
04-Apr	211.3

WATER CONSERVATION – SUMMARY – GROUND WATER
--

GROUND WATER FLUCTUATION:**Location: Main San Gabriel Basin, Baldwin Park****Ground Surface Elevation: 386.7 ft above MSL**

STATION	3030F
	WS Elev.
04-May	208
04-Jun	204.9
04-Jul	201.4
04-Aug	199.2
04-Sep	197.4
04-Oct	196.1
04-Nov	195.4
04-Dec	195.8
05-Jan	203.4
05-Feb	222
05-Mar	238.1
05-May	245
05-May	247.7
05-Jun	249.6
05-Jul	244.7
05-Aug	241.9
05-Sep	240.9
05-Oct	240.9
05-Oct	241.4
05-Oct	241.1
05-Nov	240.9
05-Nov	241.0
05-Dec	241.1
05-Dec	241.6
05-Dec	241.9
05-Dec	242.1
06-Jan	242.3
06-Jan	242.1
06-Jan	242.0
06-Jan	241.7
06-Feb	241.3
06-Feb	241.1
06-Feb	241.5
06-Mar	241.4
06-Mar	242.0
06-Mar	242.7
06-Mar	243.1
06-Mar	243.6

WATER CONSERVATION – SUMMARY – GROUND WATER

GROUND WATER FLUCTUATION:**Location: Main San Gabriel Basin, Baldwin Park****Ground Surface Elevation: 386.7 ft above MSL**

STATION	3030F
	WS Elev.
06-Apr	244.4
06-Apr	244.9
06-Apr	245.1
06-Apr	246.8
06-May	247.8
06-May	249.0
06-May	250.2
06-May	251.6
06-Jun	252.1
06-Jun	252.0
06-Jun	251.8
06-Jun	251.0
06-Jun	250.7
06-Jul	249.3
06-Jul	247.9
06-Jul	247.0
06-Jul	246.1
06-Aug	245.1
06-Aug	244.7
06-Aug	243.9
06-Aug	243.2
06-Sep	242.5
06-Sep	241.3
06-Sep	240.9
06-Sep	240.1
06-Sep	239.7
06-Oct	239.4
06-Oct	239.0
06-Oct	238.4
06-Oct	237.9
06-Nov	237.6
06-Nov	237.0
06-Nov	236.3
06-Nov	236.0
06-Dec	235.7
06-Dec	235.0
06-Dec	234.9
06-Dec	234.8

WATER CONSERVATION – SUMMARY – GROUND WATER

GROUND WATER FLUCTUATION:

Location: Main San Gabriel Basin, Baldwin Park

Ground Surface Elevation: 386.7 ft above MSL

STATION	3030F
	WS Elev.
06-Dec	234.4

WATER CONSERVATION – SUMMARY – GROUND WATER

GROUND WATER FLUCTUATION:

Location: Pomona Basin

Ground Surface Elevation: 999.4 ft above MSL

STATION	3251E	3261P	4469A
	WS Elev.	WS Elev.	WS Elev.
Jan-55	761.6		
Feb-55	766.2		
Mar-55	768.5		
Apr-55	763.9		
May-55	770.8		
Jun-55	770.8		
Jul-55	756.9		
Aug-55	725.8		
Sep-55	720		
Oct-55	738.5		
Nov-55	717.7		
Dec-55	754.6		
Jan-56	754.6		
Feb-56	756.9		
Mar-56	759.3		
Apr-56	759.3		
May-56	763.9		
Jun-56	763.9		
Jul-56	745.4		
Aug-56	731.5		
Sep-56	740.7		
Feb-57	746		
Mar-57	739.3		
Apr-57	746.2		
May-57	753.2		
Jun-57	750.9		
Jul-57	711.6		
Aug-57	689.7		
Sep-57	676		
Oct-57	711.6		
Nov-57	714		
Jan-58		663.1	
Feb-58	706.3	665.6	
Mar-58	716.9	664.4	
Apr-58	718	665.6	
May-58	631.4	640.2	
Jun-58	690.3	628.6	
Jul-58	682.3	647.1	

WATER CONSERVATION – SUMMARY – GROUND WATER

GROUND WATER FLUCTUATION:**Location: Pomona Basin****Ground Surface Elevation: 999.4 ft above MSL**

STATION	3251E	3261P	4469A
	WS Elev.	WS Elev.	WS Elev.
Aug-58	686.9	644.8	
Sep-58	654.6	646	
Oct-58	652.3	643.6	
Nov-58	686.9	644.8	
Dec-58	690.3	646	
Jan-59	691.5	646	
Feb-59	685.7	695.6	
Mar-59	698.4	702.6	
Apr-59	707.7	702.6	
May-59	694.9	650.6	
Jun-59	690.3	647.1	
Jul-59	686.9	637.9	
Aug-59	675.3	663.3	
Sep-59	670.7	629.8	
Oct-59		624	
Nov-59	662.6	628.6	
Dec-59	669.6	626.3	
Jan-60	670.7	624	
Feb-60	674.2	627.5	
Mar-60	673	628.6	
Apr-60	673	626.3	
May-60	670.7	617.1	
Jun-60	676.1	624	
Jul-60	662.6	617.9	
Aug-60	637.2	607.9	
Sep-60	644.1	603.2	
Oct-60	641.8	606.7	
Nov-60	643	610.2	
Dec-60	663.8	663.3	
Jan-61	656.8	620.6	
Feb-61	675.3	672.5	
Mar-61	675.9	677.2	
Apr-61	682.3	679.5	
May-61	662.6		
Jun-61	655.7		
Jul-61	604.9	606.3	
Aug-61	624.5	621.3	
Sep-61	617.6	578.6	

WATER CONSERVATION – SUMMARY – GROUND WATER

GROUND WATER FLUCTUATION:

Location: Pomona Basin

Ground Surface Elevation: 999.4 ft above MSL

STATION	3251E	3261P	4469A
	WS Elev.	WS Elev.	WS Elev.
Oct-61	623.3		
Nov-61	622.2		
Dec-61	629.1		
Jan-62	643	645.6	
Feb-62	646.5	643.3	
Mar-62	650	650.2	
Apr-62	652.3	652.5	
May-62	643		
Jun-62	640.8		
Jul-62	637.3	590.2	
Aug-62	640.8	622.5	
Sep-62	626.9	579.8	
Oct-62	632.7	585.6	
Nov-62	629.2	578.7	
Dec-62	629.2	574	
Jan-63	630.4	578.7	
Feb-63	629.2	630.6	
Mar-63	632.7	569.4	
Apr-63	623.5	576.4	
May-63	626.9	572.9	
Jun-63	628.1	613.3	
Jul-63	570.3	563.6	
Aug-63	608.4	601.7	
Sep-63	600.3	601.7	
Oct-63	548.3	555.5	
Nov-63	593.4	558	
Dec-63	609.6	556.9	
Jan-64	608.4	565.9	
Feb-64	620	619	
Mar-64	615.3	569.4	
Apr-64	608.4	562.5	
May-64	613	567.1	
Jun-64	606.1		
Jul-64	548.3	553.2	
Aug-64	584.1	550.9	
Sep-64	588.7	604.3	
Oct-64	583	539.6	
Nov-64	583	593.9	

WATER CONSERVATION – SUMMARY – GROUND WATER

GROUND WATER FLUCTUATION:**Location: Pomona Basin****Ground Surface Elevation: 999.4 ft above MSL**

STATION	3251E	3261P	4469A
	WS Elev.	WS Elev.	WS Elev.
Dec-64	593.4	597.4	
Jan-65	588.7	532.7	
Feb-65	588.7	522.3	
Mar-65	583	528.1	
Apr-65	585.3	533.8	
May-65	583	527	
Jun-65	537.9	521	
Jul-65	578.4	528.1	
Aug-65		517.7	
Sep-65	559.9	513.1	
Oct-65	571.4	520	
Nov-65	571.5		
Dec-65	574.9	575.3	
Jan-66		517.7	
Feb-66	581.8	580	
Mar-66	578.4	515.4	
Apr-66		517.7	
Jun-66	564.6		
Jul-66	551.9		
Aug-66	541.5		
Sep-66	541.5		
Oct-66	546.1		
Nov-66	548.5	510.7	
Jan-67	553.1	499.2	
Feb-67	557.7	506.1	
Mar-67	549.6	499.2	
Apr-67	550.8	499.2	
May-67	550.8	499.2	
Jun-67	553.1	561.6	
Jul-67	543.8	496.9	
Aug-67	541.5	480.7	
Sep-67	536.9	477.2	
Oct-67	541.5	556.9	
Nov-67	553.1	492.3	
Dec-67	560		
Jan-68	566.9	495.7	
Feb-68	557.7	492.3	
Mar-68	560	496.9	

WATER CONSERVATION – SUMMARY – GROUND WATER

GROUND WATER FLUCTUATION:

Location: Pomona Basin

Ground Surface Elevation: 999.4 ft above MSL

STATION	3251E	3261P	4469A
	WS Elev.	WS Elev.	WS Elev.
Apr-68	560	496.9	
May-68	562.3	490	
Jun-68	487.1	473.8	
Jul-68	549.6	555.9	
Aug-68	536.9		
Sep-68	535.7		
Oct-68	553.1		
Nov-68	546.1	501.6	
Dec-68	555.4	500.4	
Jan-69		493.5	
Feb-69	553.1	490	
Mar-69	557.7	565.1	
Apr-69	557.7	559.3	
May-69	472.2	490	
Jun-69	543.8	479.6	
Jul-69	553.1	480.8	
Aug-69	546.1	478.5	
Sep-69	430.6	446.1	
Oct-69	533.4	470.4	
Nov-69	541.5	473.8	
Dec-69	551.9	552.4	
Jan-70	554.2	543.1	
Feb-70	557.7	550.1	
Mar-70	564.6	555.8	
Apr-70	571.6	550.1	
May-70	574	488.8	
Jun-70	586	554.7	
Jul-70	590.7	575.5	
Aug-70	590.7	492.3	
Sep-70	597.7	495.8	
Oct-70	602.3	495.8	
Nov-70	608	498.6	
Dec-70	612.7	573.2	
Jan-71	623.1	588.2	
Feb-71	620.8	598.6	
Mar-71	635.8	605.5	
Apr-71	642.7	619.9	
May-71	643.9	533.9	

WATER CONSERVATION – SUMMARY – GROUND WATER

GROUND WATER FLUCTUATION:

Location: Pomona Basin

Ground Surface Elevation: 999.4 ft above MSL

STATION	3251E	3261P	4469A
	WS Elev.	WS Elev.	WS Elev.
Jun-71	648.5	533.9	
Jul-71	646.2	527	
Aug-71	650.8	525.8	
Sep-71	650.8	569.1	
Oct-71	655.4	525.8	
Nov-71	655.5	524.7	
Dec-71	657.7	605.5	
Jan-72	657.7	525.8	
Feb-72	662.4	626.3	
Mar-72		536.2	
Apr-72	649.6	614.8	
May-72		531.6	
Jun-72		528.1	
Jul-72	669.5	515.4	
Aug-72		510.8	
Sep-72		501.6	
Oct-72		496.9	
Nov-72		500.4	
Dec-72	620.8	587	
Jan-73	628	591.7	
Feb-73	628	510.8	
Mar-73	620	591.7	
Apr-73	634	600.9	
May-73	593.1	605.5	
Jun-73	574.6	502.7	
Jul-73	567.9	499.3	
Aug-73	556.1	490.1	
Sep-73	542.3	487.7	
Oct-73	551.5	490	
Nov-73	537.7	475	
Dec-73	580.4	570.9	
Jan-74	605.8	486.6	
Feb-74	616.2	479.6	
Mar-74	613.9	477.3	
Apr-74	627.8	487.7	
May-74	625.4	488.9	
Jun-74	593.1		
Jul-74	548.1	477.3	

WATER CONSERVATION – SUMMARY – GROUND WATER

GROUND WATER FLUCTUATION:

Location: Pomona Basin

Ground Surface Elevation: 999.4 ft above MSL

STATION	3251E	3261P	4469A
	WS Elev.	WS Elev.	WS Elev.
Aug-74	537.7	471.5	
Sep-74	530.7	466.9	
Oct-74		461.1	
Nov-74	557.3	458.8	
Dec-74	585	559.3	
Jan-75	614	579	
Feb-75	619	600.9	
Mar-75	628.9	607.8	
Apr-75	637	614.8	
May-75	641.6	619.4	
Jun-75	632.4	610.1	
Jul-75	576.9	600.9	
Aug-75	553.8	503.9	
Sep-75	540	494.6	
Oct-75	573.5	478.5	
Nov-75	595.4	590.5	
Dec-75	607	600.9	
Jan-76	616.2	603.2	
Feb-76	623.2	605.5	
Mar-76	632.4	617.1	
Apr-76	634.7	619.4	
May-76	641.7	621.7	
Jun-76	572.3	515.4	
Jul-76	553.8	506.2	
Aug-76		567.4	
Sep-76	567.7	570.9	
Oct-76	593.2	587	
Nov-76	602.4	589.4	
Dec-76	608.1	607.8	
Jan-77	604.7	605.5	
Feb-77		610.1	
Mar-77	613.9	617.1	
Apr-77	630.1	617.1	
May-77	570.8	592.8	
Jun-77	579.2	596.3	
Jul-77	559.6		
Aug-77	544.5		
Sep-77	540		

WATER CONSERVATION – SUMMARY – GROUND WATER

GROUND WATER FLUCTUATION:

Location: Pomona Basin

Ground Surface Elevation: 999.4 ft above MSL

STATION	3251E	3261P	4469A
	WS Elev.	WS Elev.	WS Elev.
Oct-77	530.7		
Nov-77	549.2		
Dec-77	579.3	559.3	
Jan-78	589.7		
Feb-78	593.1		
Mar-78	590.8		
Apr-78	604.7	577.8	
May-78	607		
Jun-78	616.2		
Nov-78	556.2	540.8	
Dec-78	556.2	540.8	
Jan-79	581.6	563.9	
Feb-79	507.6		
Mar-79	509.9		
Apr-79	485	531.6	
May-79	482.2		
Jun-79	484.5		
Jul-79	496.1		
Aug-79	478.8		
Sep-79	479.9		
Oct-79	483.4		
Nov-79	545.8	529.3	
Dec-79	533.1		
Jan-80	590.8	550.1	
Feb-80	600	552.4	
Mar-80	630.1		
Apr-80	641.6	598.6	
May-80	643.9		
Jun-80	611.6		
Jul-80	648.6		
Aug-80	593.1		
Sep-80	581.6		
Oct-80	576.9		
Nov-80	643.9	594	937.7
Dec-80	653.2		
Jan-81	664.7		
Feb-81	646.2	577.8	
Mar-81	677.4		932.7

WATER CONSERVATION – SUMMARY – GROUND WATER

GROUND WATER FLUCTUATION:

Location: Pomona Basin

Ground Surface Elevation: 999.4 ft above MSL

STATION	3251E	3261P	4469A
	WS Elev.	WS Elev.	WS Elev.
Apr-81	671.7	624	
May-81	693.6	633.2	
Jun-81	650.9		
Jul-81	648.6		
Aug-81	648.6	610.1	
Sep-81	641.6		888.7
Oct-81	654.3		934.7
Nov-81	645.1		
Dec-81	655.5	562.8	
Jan-82	700.5		
Feb-82	740.9	672.5	
Mar-82	743.3		
Apr-82	758.3	695.6	962.7
May-82	727.1		
Jun-82	678.6		
Jul-82	671.7		
Aug-82	670.5		
Sep-82	680.9		
Oct-82	671.7	644.8	952.7
Nov-82	741		
Dec-82	752.5	710.6	
Jan-83	773.3	725.6	
Feb-83	775.6	727.9	
Mar-83	781.4	729.1	
Apr-83	788.3	744.1	
May-83	740.9	727.9	947.7
Jun-83	777.4		966.7
Jul-83	771	710.6	
Oct-83	787.1	737.2	979.7
Nov-83	796.4	687.5	
Dec-83	810.2	684.1	
Jan-84	812.1	774.1	
Feb-84	825.3	704.8	
Apr-84	811.4	661	
May-84	815.6		
Jun-84	811.4	724.5	
Jul-84	823		
Aug-84	825.3		

WATER CONSERVATION – SUMMARY – GROUND WATER

GROUND WATER FLUCTUATION:**Location: Pomona Basin****Ground Surface Elevation: 999.4 ft above MSL**

STATION	3251E	3261P	4469A
	WS Elev.	WS Elev.	WS Elev.
Sep-84	911.9	771.8	
Oct-84	915.8	783.4	940.7
Nov-84	918.1	815.7	
Dec-84	921.8	693.3	
Jan-85	914.7	799.6	
Feb-85	947.7	771.8	
Mar-85	955.8	820.3	
Apr-85		820.3	933.7
Jun-85			971.7
Oct-85		855	
Nov-85			979.7
Apr-86		843.4	969.7
Aug-86			933.7
Dec-86		809.3	
Aug-87		870.4	
Oct-87		894	957.7
Nov-87		704.7	
Dec-87		817.9	
Jan-88		708.6	
Feb-88		700.9	
Mar-88		873.6	
Apr-88		872.4	
May-88		705.7	
Jun-88		698.2	
Dec-88		769.4	
Apr-89		807.5	
Sep-89		810.8	
Oct-89		805.5	976.7
Dec-89		834.1	
Apr-90		799.4	972.7
Oct-90			981.7
Apr-91			979.7
Sep-91		868.2	
Oct-91			971.4
Dec-91		783.3	
Apr-92		790.2	975.7
Oct-92			969.7
Dec-92		842.6	

WATER CONSERVATION – SUMMARY – GROUND WATER

GROUND WATER FLUCTUATION:**Location: Pomona Basin****Ground Surface Elevation: 999.4 ft above MSL**

STATION	3251E	3261P	4469A
	WS Elev.	WS Elev.	WS Elev.
Mar-93		852.1	
Apr-93		861.8	
May-93		852.5	
Jun-93		858.1	
Aug-93		872.4	
Sep-93		879.2	
Dec-93		891.5	
Jan-94		900.7	
Feb-94		912.6	
Mar-94		893.5	
Apr-94		889.3	
May-94		931.2	
Nov-94		931.5	
Dec-94		939.2	
Jan-95		950.2	
Feb-95		950.8	
Apr-95		920.1	
May-95		931	
Jun-95		943.7	
Jul-95		934.9	
Aug-95		903.1	
Sep-95		920.9	
Oct-95		935.8	
Nov-95		942.6	
Dec-95		940.6	
Jan-96		920.9	
Feb-96		947.7	
Mar-96		938.6	
Apr-96		931.9	
May-96		918.3	
Jun-96		913.2	
Jul-96		927	
Aug-96		929.1	
Oct-96		911.8	
Nov-96		945.9	
Dec-96		949.4	
Jan-97		957	
Feb-97		961.4	

WATER CONSERVATION – SUMMARY – GROUND WATER

GROUND WATER FLUCTUATION:

Location: Pomona Basin

Ground Surface Elevation: 999.4 ft above MSL

STATION	3251E	3261P	4469A
	WS Elev.	WS Elev.	WS Elev.
Mar-97		960.3	
Apr-97		956.8	
May-97		960.5	
Jun-97		960.6	
Jul-97		957.6	
Aug-97		960.5	
Sep-97		950.5	
Oct-97		957.8	
Nov-97		958	
Feb-98		960.2	
Mar-98		965.5	
Apr-98		959.4	
May-98		965.5	
Jun-98		953.4	
Jul-98		965	
Aug-98		962.3	
Nov-98		966.4	
Dec-98		971.5	
Jan-99		973	
Feb-99		974.7	
Mar-99		973.4	
Apr-99		974.4	
May-99		974	
Jul-99		974.7	
Aug-99		974.6	
Jan-00		938.2	
Mar-00		979.3	
Apr-00		977.8	
May-00		974.9	
Jun-00		973	
Jul-00		972.7	
Aug-00		971.3	
Sep-00		970.4	
Oct-00		971.1	
Dec-00		974.3	
01-Jan		974.1	
01-Mar		973.8	
01-Apr		973	

WATER CONSERVATION – SUMMARY – GROUND WATER

GROUND WATER FLUCTUATION:

Location: Pomona Basin

Ground Surface Elevation: 999.4 ft above MSL

STATION	3251E	3261P	4469A
	WS Elev.	WS Elev.	WS Elev.
01-Sep		968.5	
01-Oct		967.9	
02-May		963.1	
02-Jun		965.7	
02-Jul		965.9	
02-Nov		963.4	
03-Apr		962.4	
03-May		963.3	
03-Nov		959.9	
04-Apr		956.9	
04-Oct	955.2		
05-Mar	948.4		
05-Oct		918.9	
06-Mar		878.3	
06-Sep		767.2	
05-Oct		918.9	
06-Mar		878.3	
06-Sep		767.2	

WATER CONSERVATION – SUMMARY – GROUND WATER

GROUND WATER FLUCTUATION:

Location : San Fernando Valley, Canoga Park

Ground Surface Elevation: 788.5 ft above MSL

STATION	4709	3600H
	WS Elev.	WS Elev.
Jan-61	776.2	
Feb-61	776.4	
Mar-61	775.4	
Apr-61	774.8	
May-61	774.2	
Jun-61	773.7	
Jul-61	773	
Aug-61	772.9	
Sep-61	772.5	
Oct-61	772	
Nov-61	771.4	
Dec-61	772.7	
Jan-62	773.3	
Feb-62	774.2	
Mar-62	776	
Apr-62	776.2	
May-62	776.3	
Jun-62	776.2	
Jul-62	775	
Aug-62	773.5	
Sep-62	772.8	
Oct-62	773	
Nov-62	773.3	
Dec-62	772.6	
Jan-63	772.2	
Feb-63	772.2	
Mar-63	772.6	
Apr-63	772.7	
May-63	772.7	
Jun-63	772.6	
Jul-63	771.9	
Aug-63	770.8	
Sep-63	771.6	
Oct-63	772.5	
Nov-63	771.8	
Dec-63	772.6	
Jan-64	773.4	
Feb-64	773.4	

WATER CONSERVATION – SUMMARY – GROUND WATER
--

GROUND WATER FLUCTUATION:

Location : San Fernando Valley, Canoga Park

Ground Surface Elevation: 788.5 ft above MSL

STATION	4709	3600H
	WS Elev.	WS Elev.
Mar-64	772.5	
Apr-64	772.2	
May-64	772	
Jun-64	771.8	
Jul-64	771.3	
Aug-64	770.9	
Sep-64	770.5	
Oct-64	770	
Nov-64	770	
Dec-64	769.9	
Jan-65	770.5	
Feb-65	770.3	
Mar-65	770.4	
Apr-65	770.9	
May-65	770.9	
Jun-65	770.4	
Jul-65	769.7	
Aug-65	769.5	
Sep-65	769.2	
Oct-65	768.7	
Nov-65	768.6	
Dec-65	770.6	
Jan-66	771	
Feb-66	772.8	
Mar-66	773	
Apr-66	771.8	
May-66	771.6	
Jun-66	771.5	
Jul-66	771.8	
Aug-66	770.8	
Sep-66	769.8	
Oct-66	770.4	
Nov-66	771.2	
Dec-66	771.9	
Jan-67	772.3	
Feb-67	772.4	
Mar-67	772.8	
Apr-67	772.1	

WATER CONSERVATION – SUMMARY – GROUND WATER

GROUND WATER FLUCTUATION:

Location : San Fernando Valley, Canoga Park

Ground Surface Elevation: 788.5 ft above MSL

STATION	4709	3600H
	WS Elev.	WS Elev.
May-67	772.6	
Jun-67	772.1	
Jul-67	772.1	
Aug-67	772.3	
Sep-67	772.1	
Oct-67	772	
Nov-67	771.8	
Dec-67	772.6	
Jan-68	773	
Feb-68	773	
Mar-68	773.2	
Apr-68	773.4	
May-68	772	
Jun-68	771.1	
Jul-68	771	
Aug-68	770.7	
Sep-68	770.4	
Oct-68	770.1	
Nov-68	770.1	
Dec-68	770.1	
Jan-69	770.2	
Feb-69	773.4	
Mar-69	773.8	
May-69	773.8	
Jun-69	773.6	
Jul-69	773.5	
Aug-69	773.7	
Sep-69	773.6	
Oct-69	771.8	
Nov-69	773	
Dec-69	772.6	
Jan-70	772.3	
Feb-70	772.5	
Mar-70	773.2	
Apr-70	772.9	
May-70	773	
Jun-70	772.1	
Jul-70	772	

WATER CONSERVATION – SUMMARY – GROUND WATER

GROUND WATER FLUCTUATION:

Location : San Fernando Valley, Canoga Park

Ground Surface Elevation: 788.5 ft above MSL

STATION	4709	3600H
	WS Elev.	WS Elev.
Aug-70	771.9	
Sep-70	771.6	
Oct-70	771.2	
Nov-70	771.7	
Dec-70	772.1	
Jan-71	772.9	
Feb-71	772.1	
Mar-71	771.7	
Apr-71	771.7	
May-71	771.6	
Jun-71	771.4	
Jul-71	771.3	
Oct-71	769.8	
Nov-71	769.7	
Dec-71	769.5	
Jan-72	770.3	
Feb-72	770.6	
Mar-72	770.1	
Apr-72	769.5	
May-72	769.2	
Jun-72	769.1	
Jul-72	769.5	
Aug-72	769.6	
Sep-72	769.5	
Oct-72	769.5	
Nov-72	769.1	
Dec-72	769.3	
Jan-73	769	
Feb-73	770	
Mar-73	770.2	
Apr-73	770.3	
May-73	770.3	
Jul-73	770.1	
Aug-73	769.8	
Nov-73	768.7	
Dec-73	768.9	
Jan-74	769.6	
Feb-74	769.7	

WATER CONSERVATION – SUMMARY – GROUND WATER

GROUND WATER FLUCTUATION:

Location : San Fernando Valley, Canoga Park

Ground Surface Elevation: 788.5 ft above MSL

STATION	4709	3600H
	WS Elev.	WS Elev.
Mar-74	769.9	
Apr-74	769.9	
May-74	769.7	
Jun-74	769.6	
Jul-74	769.3	
Aug-74	769.1	
Sep-74	769	
Oct-74	768.7	
Nov-74	768.7	
Dec-74	768.7	
Jan-75	768.8	
Feb-75	768.9	
Mar-75	769.1	
Apr-75	769.2	
May-75	769.3	
Jun-75	769.1	
Jul-75	769.3	
Aug-75	768.6	
Sep-75	768.4	
Oct-75	768.2	
Nov-75	768.1	
Dec-75	768.1	
Jan-76	768.1	
Feb-76	768.1	
Apr-76	768.2	
May-76	768.2	
Aug-76	767.4	
Sep-76	767.3	
Oct-76	767.2	
Nov-76	766.9	
Dec-76	766.7	
Jan-77	766.9	
Feb-77	767	
Mar-77	766.8	
Apr-77	766.9	
Jun-77	766.5	
Jul-77	766.2	
Aug-77	766	

WATER CONSERVATION – SUMMARY – GROUND WATER

GROUND WATER FLUCTUATION:

Location : San Fernando Valley, Canoga Park

Ground Surface Elevation: 788.5 ft above MSL

STATION	4709	3600H
	WS Elev.	WS Elev.
Sep-77	765.8	
Oct-77	765.4	
Nov-77	765.4	
Dec-77	765.2	
Jan-78	765.7	
Feb-78	766.2	
Mar-78	767.5	
Apr-78	767.7	
May-78	767.8	
Jun-78	767.7	
Jul-78	767.6	
Aug-78	767.4	
Sep-78	767.3	
Oct-78	767.2	
Nov-78	767.2	
Dec-78	766.8	
Jan-79	767.4	
Mar-79	768.4	
Apr-79	768.6	
May-79	768.7	
Jun-79	768.7	
Aug-79	768.5	
Sep-79	768.3	
Oct-79	768.4	
Nov-79	768.2	
Dec-79	768.2	
Jan-80	768.5	
Feb-80	769.5	
Mar-80	770	
Nov-80	769.6	
Nov-81	769.3	
Apr-82	769.9	
Nov-82	769.1	
Apr-83	771.1	
Oct-83	771.2	
Jan-84	771.4	
Feb-84	771.5	
Mar-84	771.5	

WATER CONSERVATION – SUMMARY – GROUND WATER

GROUND WATER FLUCTUATION:

Location : San Fernando Valley, Canoga Park

Ground Surface Elevation: 788.5 ft above MSL

STATION	4709	3600H
	WS Elev.	WS Elev.
Apr-84	771.5	
May-84	771.5	
Jun-84	771.4	
Jul-84	771.2	
Aug-84	771	
Sep-84	770.8	
Oct-84	770.7	
Nov-84	770.4	
Jan-85	770.7	
Feb-85	771	
Mar-85	770.7	
Apr-85	770.7	
May-85	770.6	
Jun-85	770.5	
Jul-85	770.2	
Aug-85	770	
Sep-85	769.9	
Nov-85	769.7	
Dec-85	769.9	
Jan-86	769.9	
Mar-86	770.6	
Apr-86	770.7	
May-86	770.7	
Oct-86	769.9	
Nov-86	769.8	
Dec-86	769.7	
Jan-87	769.6	
Apr-87	769.4	
May-87	769.2	
Jun-87	768.6	
Jul-87	768.9	
Aug-87	768.7	
Sep-87	768.6	
Oct-87	768.4	
Nov-87	768.7	
Dec-87	768.7	
Jan-88	768.7	
Mar-88	768.8	

WATER CONSERVATION – SUMMARY – GROUND WATER

GROUND WATER FLUCTUATION:

Location : San Fernando Valley, Canoga Park

Ground Surface Elevation: 788.5 ft above MSL

STATION	4709	3600H
	WS Elev.	WS Elev.
May-88	768.9	
Jun-88	768.8	
Jul-88	768.6	
Aug-88	768.3	
Sep-88	768.2	
Oct-88	768.1	
Nov-88	767.8	
Dec-88	767.8	
Feb-89	766.4	
Mar-89	768	
Apr-89	768	
Sep-89	766.6	
Oct-89	766.4	
Nov-89	766.3	
Dec-89	766.3	
Apr-90	766.3	
May-90	766.1	
Jun-90	765.8	
Jul-90	765.5	
Aug-90	765.5	
Sep-90	765.2	
Oct-90	764.7	
Nov-90	764.6	
Dec-90	764.8	
Jan-91	764.8	
Feb-91	764.8	
Mar-91	764.9	
Apr-91	765.2	
May-91	765.2	
Jun-91	765	
Jul-91	764.7	
Aug-91	764.5	
Sep-91	764.3	
Oct-91	764	
Nov-91	763.8	
Dec-91	763.6	
Jan-92	764	
Feb-92	764.4	774.1

WATER CONSERVATION – SUMMARY – GROUND WATER

GROUND WATER FLUCTUATION:

Location : San Fernando Valley, Canoga Park

Ground Surface Elevation: 788.5 ft above MSL

STATION	4709	3600H
	WS Elev.	WS Elev.
Mar-92	765.2	774.6
Apr-92	765.3	
May-92	765.6	775.1
Jun-92	765.6	774.7
Jul-92	765.4	774.1
Aug-92	765.1	774.2
Sep-92	764.9	773.7
Oct-92	764.6	773.5
Nov-92	764.6	773.4
Dec-92	764.7	773.4
Jan-93	765.4	
Feb-93	766	776.6
Mar-93	766.8	
Apr-93	766.9	
May-93	766.8	776.1
Jun-93	766.7	775.9
Jul-93	766.5	775.3
Aug-93	766.4	774.9
Sep-93	766.4	774.7
Nov-93	766.1	774.2
Dec-93	764.7	774.2
Jan-94	766.2	774.1
Feb-94	766.3	774.2
Mar-94	766	774.1
Apr-94	765.9	
May-94	765.9	
Jun-94	765.8	
Jul-94	765.6	
Aug-94	765.6	773.9
Sep-94	765.1	773.6
Oct-94	765	773.5
Nov-94	765	773.5
Dec-94	764.9	773.3
Jan-95	765.4	773.4
Feb-95	766.1	774.6
Mar-95	766.4	774.9
Apr-95	766.7	
May-95	766.7	774.9

WATER CONSERVATION – SUMMARY – GROUND WATER

GROUND WATER FLUCTUATION:

Location : San Fernando Valley, Canoga Park

Ground Surface Elevation: 788.5 ft above MSL

STATION	4709	3600H
	WS Elev.	WS Elev.
Jun-95	766.7	774.8
Jul-95	destroyed	774.5
Sep-95		774.3
Oct-95		774
Mar-96		773.8
Apr-97		773.5
Apr-99		775.5
Oct-99		774.7
01-Mar		775.2
06-Dec		887.5

WATER CONSERVATION – SUMMARY – GROUND WATER

GROUND WATER FLUCTUATION:**Location : San Fernando Valley, Burbank****Ground Surface Elevation: 546.5 ft above MSL**

STATION	3872H
	WS Elev.
Jul-64	439.8
Oct-64	430.2
Nov-64	430.7
Dec-64	430
Jan-65	433
Feb-65	431.5
Mar-65	431.1
Apr-65	429.8
May-65	427.3
Jul-65	426
Aug-65	425.5
Sep-65	426.7
Oct-65	427.7
Nov-65	425.2
Dec-65	424.9
Jan-66	424.7
Feb-66	425.2
Mar-66	424.7
Apr-66	423
May-66	422
Jun-66	422
Jul-66	418.1
Aug-66	415.3
Sep-66	415.4
Oct-66	414.5
Nov-66	415.7
Dec-66	417.5
Jan-67	414.7
Feb-67	414.2
Mar-67	414.9
Apr-67	414.4

WATER CONSERVATION – SUMMARY – GROUND WATER

GROUND WATER FLUCTUATION:

Location : San Fernando Valley, Burbank

Ground Surface Elevation: 546.5 ft above MSL

STATION	3872H
	WS Elev.
May-67	415
Jun-67	413.8
Jul-67	413.4
Aug-67	413
Sep-67	411.9
Oct-67	412.6
Nov-67	412.1
Dec-67	412.4
Jan-68	413
Feb-68	414
Mar-68	412.8
Apr-68	412.1
May-68	411.6
Jun-68	411.3
Jul-68	411.1
Aug-68	410.3
Sep-68	410.9
Oct-68	410.4
Nov-68	412.1
Dec-68	411.7
Jan-69	412.8
Feb-69	420.2
Mar-69	421.3
Apr-69	422.2
May-69	421.7
Jun-69	419.1
Jul-69	414.8
Aug-69	414.2
Sep-69	414.9
Oct-69	415.6
Nov-69	415

WATER CONSERVATION – SUMMARY – GROUND WATER

GROUND WATER FLUCTUATION:**Location : San Fernando Valley, Burbank****Ground Surface Elevation: 546.5 ft above MSL**

STATION	3872H
	WS Elev.
Dec-69	416.7
Jan-70	420.4
Feb-70	420.4
Mar-70	420.6
Apr-70	422.7
May-70	421.4
Jun-70	422.4
Jul-70	421.6
Aug-70	421.4
Sep-70	421.7
Oct-70	422
Nov-70	423.3
Dec-70	424.2
Feb-71	421.6
Mar-71	423
Apr-71	427.2
May-71	427.6
Jun-71	428
Jul-71	425.6
Aug-71	425.1
Sep-71	428.2
Oct-71	427.7
Nov-71	429.1
Jan-72	436.5
Feb-72	436.7
May-72	430.4
Jun-72	430.6
Jul-72	429.5
Aug-72	428.5
Sep-72	427.2
Oct-72	427.8

WATER CONSERVATION – SUMMARY – GROUND WATER

GROUND WATER FLUCTUATION:**Location : San Fernando Valley, Burbank****Ground Surface Elevation: 546.5 ft above MSL**

STATION	3872H
	WS Elev.
Nov-72	429.4
Dec-72	430.6
Jan-73	430.8
Feb-73	431.3
Mar-73	432.6
Apr-73	431.8
May-73	432.1
Jun-73	436.6
Aug-73	436
Sep-73	429.8
Nov-73	436.4
Jan-74	439.2
Feb-74	439.9
Mar-74	439.6
Apr-74	438.8
May-74	439.1
Jun-74	439.9
Jul-74	438.7
Aug-74	438.1
Sep-74	438.2
Oct-74	438.1
Nov-74	438.8
Dec-74	438.7
Jan-75	440.5
Feb-75	440
Mar-75	439.8
Apr-75	440.4
May-75	440.2
Jun-75	441.5
Jul-75	437.5
Sep-75	430.9

WATER CONSERVATION – SUMMARY – GROUND WATER

GROUND WATER FLUCTUATION:**Location : San Fernando Valley, Burbank****Ground Surface Elevation: 546.5 ft above MSL**

STATION	3872H
	WS Elev.
Oct-75	435.9
Nov-75	437.1
Dec-75	439.5
Jan-76	440.5
Feb-76	439.7
Mar-76	439.5
Apr-76	440.1
May-76	440.7
Jun-76	440.5
Jul-76	438.3
Aug-76	439
Sep-76	438.3
Oct-76	438.8
Nov-76	438.9
Jan-77	439.5
Feb-77	439.9
Mar-77	439.6
Apr-77	439.9
May-77	438.8
Jun-77	435.8
Jul-77	435.7
Aug-77	429.4
Sep-77	427.6
Oct-77	433.7
Nov-77	434.7
Dec-77	432.2
Jan-78	435.7
Mar-78	436.8
Apr-78	437.7
May-78	439.1
Jun-78	439.2

WATER CONSERVATION – SUMMARY – GROUND WATER

GROUND WATER FLUCTUATION:**Location : San Fernando Valley, Burbank****Ground Surface Elevation: 546.5 ft above MSL**

STATION	3872H
	WS Elev.
Jul-78	437.4
Aug-78	439.3
Sep-78	439.2
Oct-78	439.7
Nov-78	441.5
Dec-78	445.2
Jan-79	446.4
Feb-79	450
Mar-79	450
Apr-79	450.6
May-79	449.2
Jun-79	451.9
Jul-79	452
Aug-79	452.4
Sep-79	452.9
Oct-79	450.2
Nov-79	456.5
Jan-80	458.8
Mar-80	461.6
Apr-80	462.2
May-80	463.7
Jun-80	465.2
Jul-80	466.7
Aug-80	467
Sep-80	466.4
Oct-80	470.2
Dec-80	472.6
Jan-81	474.2
Feb-81	475.6
Mar-81	476.5
Apr-81	477.3

WATER CONSERVATION – SUMMARY – GROUND WATER

GROUND WATER FLUCTUATION:**Location : San Fernando Valley, Burbank****Ground Surface Elevation: 546.5 ft above MSL**

STATION	3872H
	WS Elev.
May-81	475.8
Jun-81	476.4
Jul-81	476.2
Aug-81	476.2
Sep-81	471.2
Oct-81	475.4
Dec-81	478.2
Jan-82	478.3
Feb-82	477.9
Mar-82	478.1
Apr-82	479.7
Jun-82	480.2
Jul-82	480.2
Sep-82	480.5
Oct-82	478.5
Nov-82	479.7
Dec-82	479.1
Feb-83	479.7
Mar-83	480.8
Apr-83	481.2
May-83	484.2
Jun-83	483.5
Jul-83	483.7
Aug-83	484
Sep-83	485.4
Oct-83	487.9
Nov-83	487.6
Dec-83	487.2
Jan-84	487.7
Feb-84	490.7
Mar-84	490

WATER CONSERVATION – SUMMARY – GROUND WATER

GROUND WATER FLUCTUATION:**Location : San Fernando Valley, Burbank****Ground Surface Elevation: 546.5 ft above MSL**

STATION	3872H
	WS Elev.
Apr-84	491.9
May-84	490.3
Jun-84	489.9
Jul-84	490.3
Aug-84	488.5
Sep-84	487.7
Oct-84	487.8
Nov-84	486
Dec-84	486.2
Jan-85	487.4
May-85	489.2
Jun-85	489
Jul-85	488.7
Aug-85	487.9
Sep-85	488.5
Oct-85	487.8
Nov-85	487.6
Dec-85	487.3
Jan-86	487.9
Feb-86	489.3
Mar-86	489.5
Apr-86	489.2
May-86	489.2
Jun-86	488.8
Jul-86	489.2
Aug-86	488.8
Sep-86	488.9
Oct-86	489.3
Nov-86	489.5
Dec-86	489.8
Jan-87	489.2

WATER CONSERVATION – SUMMARY – GROUND WATER

GROUND WATER FLUCTUATION:**Location : San Fernando Valley, Burbank****Ground Surface Elevation: 546.5 ft above MSL**

STATION	3872H
	WS Elev.
Feb-87	490.4
Mar-87	490.7
Apr-87	488.9
May-87	489.5
Jun-87	491.4
Aug-87	488
Sep-87	487.1
Oct-87	486.8
Nov-87	486.2
Jan-88	485.2
Feb-88	485
Mar-88	485.4
Apr-88	483.9
May-88	483.4
Jun-88	483
Jul-88	482.1
Aug-88	481.7
Sep-88	481.1
Oct-88	480.9
Nov-88	480.4
Dec-88	480
Jan-89	479.7
Feb-89	479.4
Mar-89	478.8
Apr-89	478.5
May-89	477.8
Jun-89	477.6
Jul-89	477.3
Aug-89	476.6
Sep-89	475.9
Oct-89	475.7

WATER CONSERVATION – SUMMARY – GROUND WATER

GROUND WATER FLUCTUATION:**Location : San Fernando Valley, Burbank****Ground Surface Elevation: 546.5 ft above MSL**

STATION	3872H
	WS Elev.
Nov-89	475.9
Dec-89	475.8
Jan-90	476.1
Feb-90	476.6
Mar-90	476.9
Apr-90	476.7
May-90	476.6
Jun-90	474.5
Aug-90	473.6
Sep-90	472.8
Oct-90	473.2
Nov-90	472.8
Dec-90	473.9
Jan-91	473.5
Feb-91	473.8
May-91	472.7
Jun-91	472
Jul-91	470.8
Aug-91	471.4
Sep-91	470.6
Oct-91	470.6
Nov-91	469.6
Dec-91	469.7
Jan-92	469.8
Mar-92	469.5
Apr-92	469.5
May-92	469
Jun-92	469
Jul-92	468.4
Nov-92	463.2
Dec-92	461.6

WATER CONSERVATION – SUMMARY – GROUND WATER

GROUND WATER FLUCTUATION:**Location : San Fernando Valley, Burbank****Ground Surface Elevation: 546.5 ft above MSL**

STATION	3872H
	WS Elev.
Jul-93	473.7
Sep-93	467
Oct-93	468.4
Nov-93	467.5
Dec-93	468.1
Feb-94	479.2
Mar-94	474
Apr-94	472
May-94	480.9
Jun-94	478
Jul-94	473.5
Aug-94	473
Sep-94	473.7
Oct-94	473.7
Nov-94	472.5
Dec-94	476.7
Jan-95	473.7
Feb-95	474.3
Mar-95	474.7
Apr-95	474.5
May-95	474.6
Jun-95	475.1
Jul-95	475.2
Sep-95	475.1
Oct-95	476.6
Nov-95	485.6
Dec-95	477.3
Jan-96	476.7
Feb-96	483.4
Mar-96	484.1
Apr-96	483.3

WATER CONSERVATION – SUMMARY – GROUND WATER

GROUND WATER FLUCTUATION:**Location : San Fernando Valley, Burbank****Ground Surface Elevation: 546.5 ft above MSL**

STATION	3872H
	WS Elev.
May-96	477.2
Jun-96	475.9
Jul-96	474.9
Aug-96	474.6
Sep-96	473.4
Oct-96	482
Nov-96	475.4
Dec-96	478.2
Jan-97	483.1
Mar-97	483.1
Apr-97	483.2
May-97	474.7
Jun-97	477.6
Aug-97	478
Sep-97	471.1
Dec-97	477.6
Jan-98	478.6
Feb-98	478.6
Mar-98	479.8
Apr-98	471
May-98	470.7
Jun-98	471.3
Jul-98	472.9
Aug-98	471.2
Sep-98	475.2
Oct-98	471.6
Nov-98	471.6
Dec-98	480.5
Mar-99	480
Apr-99	479.4
May-99	472.9

WATER CONSERVATION – SUMMARY – GROUND WATER

GROUND WATER FLUCTUATION:**Location : San Fernando Valley, Burbank****Ground Surface Elevation: 546.5 ft above MSL**

STATION	3872H
	WS Elev.
Jun-99	469.9
Jul-99	466.2
Aug-99	469.7
Sep-99	463.1
Dec-99	465.3
Jan-00	468.6
Feb-00	468.2
Mar-00	467.9
May-00	457.7
Jun-00	456.5
Aug-00	464.8
Oct-00	455.5
Nov-00	454.6
Dec-00	454.9
01-Jan	454.1
01-Feb	454.5
01-Mar	463.7
01-Apr	458.8
01-Jun	463.9
01-Jul	463.7
01-Aug	463.4
01-Sep	462.7
01-Oct	462.6
01-Nov	462.4
01-Dec	462.4
02-Jan	462.9
02-Feb	463.1
02-Mar	462.9
02-Apr	462.6
02-Jul	461.4
02-Sep	460.6

WATER CONSERVATION – SUMMARY – GROUND WATER

GROUND WATER FLUCTUATION:**Location : San Fernando Valley, Burbank****Ground Surface Elevation: 546.5 ft above MSL**

STATION	3872H
	WS Elev.
02-Oct	460.4
02-Dec	460
03-Jan	459.5
03-Mar	459.9
03-Apr	459.5
03-May	459.2
03-Jun	458.9
03-Jul	458.8
03-Aug	458.3
03-Sep	457.8
03-Oct	457.2
03-Nov	456.8
03-Dec	456.8
04-Jan	456.3
04-Feb	455.4
04-Mar	455.7
04-Apr	455.9
04-May	455.3
04-Jul	454.8
04-Sep	453.3
04-Oct	453.6
04-Nov	452.8
04-Dec	453.3
05-Mar	454.1
05-Apr	455.7
05-May	454.8
05-Jun	448.7
05-Aug	458.7
05-Sep	460.4
05-Oct	461.0
05-Nov	462.4

WATER CONSERVATION – SUMMARY – GROUND WATER

GROUND WATER FLUCTUATION:

Location : San Fernando Valley, Burbank

Ground Surface Elevation: 546.5 ft above MSL

STATION	3872H
	WS Elev.
05-Dec	462.3
05-Dec	462.4
06-Jan	463.4
06-Feb	464.0
06-Apr	464.0
06-Jun	465.9
06-Jul	466.0
06-Aug	466.1
06-Sep	466.2
06-Oct	465.7
06-Nov	466.7
06-Dec	466.1

WATER CONSERVATION – SUMMARY – GROUND WATER
--

GROUND WATER FLUCTUATION:**Location: Raymond Basin****Ground Surface Elevation: 749.9 ft above MSL**

STATION	4057H
	WS Elev.
Jan-52	639.3
Feb-52	642.1
Aug-52	642.3
Sep-52	641.1
Oct-52	640.5
Nov-52	640.1
Dec-52	640.2
Jan-53	641.1
Feb-53	640.1
Mar-53	640.6
Apr-53	641.3
May-53	641.4
Jun-53	641.5
Jul-53	640.2
Aug-53	640.2
Sep-53	640.3
Oct-53	639.4
Nov-53	636.9
Dec-53	639.5
Jan-54	641.9
Mar-54	640.4
Apr-54	639.5
May-54	640.7
Jun-54	637.7
Jul-54	640.4
Aug-54	640.5
Sep-54	638
Oct-54	640.3
Nov-54	640.3
Dec-54	641
Jan-55	638.2

WATER CONSERVATION – SUMMARY – GROUND WATER
--

GROUND WATER FLUCTUATION:**Location: Raymond Basin****Ground Surface Elevation: 749.9 ft above MSL**

STATION	4057H
	WS Elev.
Feb-55	642.3
Mar-55	642
Apr-55	643
May-55	641.1
Jun-55	643.9
Jul-55	644.5
Aug-55	643.8
Sep-55	642.2
Oct-55	644.1
Nov-55	643.4
Dec-55	642.9
Jan-56	644.9
Feb-56	645.1
Mar-56	643.5
Apr-56	642.6
May-56	640.2
Jun-56	640.9
Jul-56	642
Aug-56	640.6
Sep-56	639.9
Oct-56	639.5
Nov-56	638.7
Dec-56	638.1
Jan-57	637.9
Feb-57	637.3
Mar-57	637
Apr-57	636.9
May-57	636.4
Jun-57	637.3
Jul-57	640
Aug-57	637.3

WATER CONSERVATION – SUMMARY – GROUND WATER

GROUND WATER FLUCTUATION:**Location: Raymond Basin****Ground Surface Elevation: 749.9 ft above MSL**

STATION	4057H
	WS Elev.
Sep-57	635.9
Oct-57	635.1
Nov-57	637.8
Dec-57	638.7
Jan-58	638.7
Feb-58	638.7
Mar-58	636.8
Apr-58	638
May-58	635
Jun-58	633.9
Jul-58	636.1
Aug-58	637
Sep-58	636.4
Oct-58	636.4
Nov-58	635.9
Dec-58	635.7
Jan-59	635.2
Feb-59	635
Mar-59	634.7
Apr-59	634.2
May-59	634
Jun-59	632.8
Jul-59	633
Aug-59	630.8
Sep-59	632.1
Oct-59	631.9
Nov-59	631.3
Dec-59	631.1
Jan-60	630.7
Feb-60	630.4
Mar-60	630.1

WATER CONSERVATION – SUMMARY – GROUND WATER

GROUND WATER FLUCTUATION:**Location: Raymond Basin****Ground Surface Elevation: 749.9 ft above MSL**

STATION	4057H
	WS Elev.
Apr-60	629.8
May-60	629.7
Jun-60	629.6
Jul-60	629.3
Aug-60	629.1
Sep-60	626.1
Oct-60	616.1
Nov-60	628
Dec-60	627.7
Jan-61	626.7
Feb-61	627.4
Mar-61	626.7
Apr-61	626.6
May-61	625.8
Jun-61	625.7
Jul-61	625.4
Aug-61	624.9
Sep-61	624.3
Oct-61	623.9
Nov-61	622.4
Dec-61	622.4
Jan-62	622.7
Feb-62	622.6
Mar-62	622.2
Apr-62	619.3
May-62	618.4
Jun-62	616.2
Jul-62	618.4
Aug-62	618.6
Sep-62	618.5
Oct-62	618.4

WATER CONSERVATION – SUMMARY – GROUND WATER
--

GROUND WATER FLUCTUATION:**Location: Raymond Basin****Ground Surface Elevation: 749.9 ft above MSL**

STATION	4057H
	WS Elev.
Nov-62	617.9
Dec-62	617.7
Jan-63	617.2
Feb-63	616.7
Mar-63	616.5
Apr-63	616
May-63	614.1
Jun-63	614.5
Jul-63	614.8
Aug-63	614.1
Sep-63	613.6
Oct-63	610.8
Nov-63	611.7
Dec-63	612.1
Jan-64	611.3
Feb-64	610.9
Mar-64	610.9
Apr-64	610.3
May-64	609.9
Jun-64	608.9
Jul-64	608.9
Aug-64	607.8
Sep-64	607.9
Oct-64	607.7
Nov-64	607.3
Dec-64	606.2
Jan-65	606.2
Feb-65	606
Mar-65	605.6
Apr-65	605.4
May-65	605.2

WATER CONSERVATION – SUMMARY – GROUND WATER
--

GROUND WATER FLUCTUATION:**Location: Raymond Basin****Ground Surface Elevation: 749.9 ft above MSL**

STATION	4057H
	WS Elev.
Jun-65	604.9
Jul-65	604.7
Aug-65	604.4
Sep-65	604.1
Oct-65	603.7
Nov-65	603.3
Dec-65	602.9
Jan-66	602.4
Feb-66	602.2
Mar-66	601.8
Apr-66	601.4
May-66	598.3
Jun-66	600.8
Jul-66	596.9
Aug-66	593.9
Sep-66	591.8
Oct-66	591
Nov-66	590.2
Dec-66	588.8
Jan-67	587.8
Feb-67	587
Mar-67	586.6
Apr-67	585.9
May-67	585.4
Jun-67	584.9
Jul-67	583.2
Aug-67	584.5
Sep-67	584.1
Oct-67	583.7
Nov-67	583.6
Dec-67	583.3

WATER CONSERVATION – SUMMARY – GROUND WATER
--

GROUND WATER FLUCTUATION:**Location: Raymond Basin****Ground Surface Elevation: 749.9 ft above MSL**

STATION	4057H
	WS Elev.
Jan-68	582.9
Feb-68	582.5
Mar-68	582.7
Apr-68	582.7
May-68	582.1
Jun-68	581.6
Jul-68	581.4
Aug-68	581.9
Sep-68	581.4
Oct-68	581.3
Nov-68	581.5
Dec-68	581.1
Jan-69	580.4
Feb-69	581.3
Mar-69	581.4
Apr-69	581.1
May-69	581.3
Jun-69	581.6
Jul-69	578.9
Aug-69	578.5
Sep-69	584.1
Oct-69	584.5
Nov-69	585.2
Dec-69	585.9
Jan-70	586.5
Feb-70	586.9
Mar-70	587.4
Apr-70	587.7
May-70	588.2
Jun-70	588.3
Jul-70	588.6

WATER CONSERVATION – SUMMARY – GROUND WATER
--

GROUND WATER FLUCTUATION:**Location: Raymond Basin****Ground Surface Elevation: 749.9 ft above MSL**

STATION	4057H
	WS Elev.
Aug-70	588
Sep-70	587.9
Oct-70	589.9
Nov-70	590.3
Dec-70	591.7
Jan-71	590.9
Feb-71	591.4
Mar-71	591.3
Apr-71	592.1
May-71	592.9
Jun-71	593.4
Jul-71	592.9
Aug-71	594.5
Sep-71	595.1
Oct-71	591.5
Nov-71	595.9
Dec-71	596.1
Jan-72	596.4
Feb-72	596.8
Mar-72	596.9
Apr-72	596.6
May-72	596.1
Jun-72	596.8
Jul-72	597.3
Aug-72	597.4
Sep-72	597.7
Oct-72	598.1
Nov-72	598.6
Dec-72	598.7
Jan-73	598.9
Feb-73	599.1

WATER CONSERVATION – SUMMARY – GROUND WATER
--

GROUND WATER FLUCTUATION:**Location: Raymond Basin****Ground Surface Elevation: 749.9 ft above MSL**

STATION	4057H
	WS Elev.
Mar-73	599.2
Apr-73	599.6
May-73	599.7
Jun-73	595.9
Jul-73	600.2
Aug-73	600.6
Sep-73	600.8
Oct-73	600.8
Nov-73	601.3
Dec-73	601.6
Jan-74	602
Feb-74	602.3
Mar-74	601.1
Apr-74	602.7
May-74	604.2
Jun-74	603.2
Jul-74	603.4
Aug-74	604.3
Sep-74	604.4
Oct-74	604.9
Nov-74	604.8
Dec-74	599.7
Jan-75	604.2
Feb-75	604
Mar-75	604.7
Apr-75	605.6
May-75	604
Jun-75	603.6
Jul-75	605.1
Aug-75	603.3
Sep-75	603.2

WATER CONSERVATION – SUMMARY – GROUND WATER
--

GROUND WATER FLUCTUATION:**Location: Raymond Basin****Ground Surface Elevation: 749.9 ft above MSL**

STATION	4057H
	WS Elev.
Oct-75	604.8
Nov-75	603.8
Dec-75	602.8
Jan-76	602.3
Feb-76	602.5
Mar-76	602
Apr-76	601.9
May-76	601.6
Jun-76	601.6
Jul-76	601.4
Aug-76	601.3
Sep-76	601.5
Oct-76	601.6
Nov-76	601.2
Dec-76	601.2
Jan-77	601
Feb-77	600.9
Mar-77	600.9
Apr-77	600.8
May-77	600.6
Jun-77	604.4
Jul-77	600.3
Aug-77	599.4
Sep-77	599.9
Oct-77	609.7
Nov-77	599
Dec-77	599
Jan-78	597.1
Feb-78	598.1
Mar-78	597.9
May-78	597.6

WATER CONSERVATION – SUMMARY – GROUND WATER
--

GROUND WATER FLUCTUATION:**Location: Raymond Basin****Ground Surface Elevation: 749.9 ft above MSL**

STATION	4057H
	WS Elev.
Jun-78	597.5
Aug-78	597.9
Sep-78	598.8
Oct-78	597.9
Dec-78	598
Mar-79	598.2
Jul-79	598.2
Oct-79	598.4
Dec-79	598.7
Apr-80	598
Aug-80	597.8
Nov-80	597.3
Jan-81	597.1
Mar-81	597.1
Apr-81	598.9
May-81	597
Jun-81	597.1
Aug-81	597.3
Sep-81	597.6
Nov-81	597.9
Feb-82	598.4
Apr-82	600.9
May-82	598.9
Jun-82	598.7
Jul-82	598.9
Aug-82	590
Sep-82	588.3
Oct-82	598.9
Nov-82	602.9
Dec-82	591.9
Jan-83	592.6

WATER CONSERVATION – SUMMARY – GROUND WATER
--

GROUND WATER FLUCTUATION:**Location: Raymond Basin****Ground Surface Elevation: 749.9 ft above MSL**

STATION	4057H
	WS Elev.
Feb-83	598.4
Mar-83	598
Apr-83	597.8
May-83	597.7
Jun-83	597.4
Jul-83	597.4
Aug-83	597.4
Sep-83	597.6
Oct-83	597.5
Nov-83	597.2
Dec-83	597.5
Jan-84	597.6
Feb-84	597.3
Mar-84	597.3
Apr-84	597.3
May-84	597.3
Jun-84	596.9
Jul-84	597.4
Aug-84	595.9
Sep-84	596.1
Oct-84	599
Nov-84	595.9
Dec-84	591.4
Jan-85	596.4
Feb-85	595.9
Mar-85	596.4
Apr-85	598
May-85	596.4
Jun-85	595.9
Jul-85	596.9
Aug-85	596.1

WATER CONSERVATION – SUMMARY – GROUND WATER
--

GROUND WATER FLUCTUATION:**Location: Raymond Basin****Ground Surface Elevation: 749.9 ft above MSL**

STATION	4057H
	WS Elev.
Sep-85	595.9
Oct-85	593.9
Dec-85	597.4
Jan-86	597.4
Mar-86	596.4
Apr-86	592.9
May-86	615.4
Jun-86	596.9
Jul-86	596.9
Aug-86	593.4
Sep-86	603.9
Oct-86	593.4
Nov-86	597.4
Dec-86	579
Jan-87	592.4
Feb-87	594.9
Mar-87	594.9
Apr-87	585.3
May-87	597.1
Jun-87	597.2
Jul-87	590.4
Aug-87	596
Sep-87	595.9
Oct-87	595.2
Nov-87	594.7
Dec-87	594.5
Jan-88	593.9
Feb-88	593.3
Mar-88	592.8
Apr-88	592.6
May-88	592.3

WATER CONSERVATION – SUMMARY – GROUND WATER

GROUND WATER FLUCTUATION:**Location: Raymond Basin****Ground Surface Elevation: 749.9 ft above MSL**

STATION	4057H
	WS Elev.
Jun-88	591.8
Jul-88	591.7
Aug-88	591.5
Sep-88	591.2
Oct-88	590.9
Nov-88	590.8
Dec-88	590.4
Jan-89	590.1
Feb-89	589.8
Mar-89	589.3
Apr-89	589.1
May-89	589
Jun-89	588.8
Jul-89	588.4
Aug-89	588.2
Sep-89	587.9
Oct-89	583.2
Nov-89	587.2
Dec-89	587.1
Jan-90	586.7
Feb-90	586.4
Mar-90	586.4
Apr-90	582.4
May-90	586
Jun-90	584
Jul-90	585.9
Aug-90	580.6
Sep-90	585.8
Oct-90	585.8
Nov-90	585.8
Dec-90	585.8

WATER CONSERVATION – SUMMARY – GROUND WATER

GROUND WATER FLUCTUATION:**Location: Raymond Basin****Ground Surface Elevation: 749.9 ft above MSL**

STATION	4057H
	WS Elev.
Jan-91	585.8
Feb-91	585.9
Apr-91	581.2
May-91	586.3
Jun-91	586.5
Jul-91	586.8
Aug-91	574.8
Sep-91	587.9
Oct-91	586.7
Nov-91	586.6
Dec-91	586.6
Jan-92	586.6
Mar-92	586.7
Apr-92	586.8
May-92	587.1
Jun-92	587.1
Jul-92	581.6
Aug-92	577
Sep-92	570
Oct-92	589
Nov-92	589
Dec-92	589
Feb-93	579.9
Mar-93	584.1
Apr-93	577.7
May-93	573.7
Jun-93	569.9
Aug-93	572.7
Sep-93	594.4
Oct-93	576.4
Nov-93	585.6

WATER CONSERVATION – SUMMARY – GROUND WATER
--

GROUND WATER FLUCTUATION:**Location: Raymond Basin****Ground Surface Elevation: 749.9 ft above MSL**

STATION	4057H
	WS Elev.
Dec-93	577.2
Jan-94	598.4
Feb-94	597.9
Mar-94	598.4
Apr-94	598.4
May-94	600.1
Jun-94	600.9
Jul-94	601.9
Aug-94	602.4
Sep-94	603.2
Oct-94	604
Nov-94	604.9
Dec-94	608.4
Jan-95	609.2
Feb-95	609.7
Mar-95	609.9
Apr-95	583.2
May-95	611.1
Jun-95	611.9
Jul-95	612.4
Aug-95	612.7
Sep-95	613.2
Oct-95	613.2
Dec-95	613.7
Jan-96	613.9
Feb-96	614.2
Mar-96	614.4
Apr-96	614.5
May-96	614.8
Jun-96	615
Jul-96	615.1

WATER CONSERVATION – SUMMARY – GROUND WATER
--

GROUND WATER FLUCTUATION:**Location: Raymond Basin****Ground Surface Elevation: 749.9 ft above MSL**

STATION	4057H
	WS Elev.
Aug-96	616.2
Sep-96	615.1
Oct-96	614.7
Nov-96	614.8
Dec-96	614.4
Jan-97	614.5
Feb-97	614.6
Mar-97	614.5
Apr-97	614.8
May-97	614.9
Jun-97	615.1
Jul-97	613.7
Aug-97	615.2
Sep-97	615.1
Dec-97	614.9
Jan-98	614.7
Feb-98	614.8
Mar-98	614.9
May-98	615.2
Jun-98	615.4
Jul-98	615.5
Aug-98	615.4
Sep-98	615.1
Oct-98	614.7
Nov-98	614.4
Dec-98	614.1
Jan-99	613.8
Feb-99	613.4
Mar-99	613.5
Apr-99	613.5
May-99	613.1

WATER CONSERVATION – SUMMARY – GROUND WATER

GROUND WATER FLUCTUATION:**Location: Raymond Basin****Ground Surface Elevation: 749.9 ft above MSL**

STATION	4057H
	WS Elev.
Jun-99	613.1
Jul-99	612.9
Aug-99	612.8
Sep-99	612.9
01-Jan	613.4
01-Feb	613.6
01-Mar	613.9
01-Apr	613.9
01-Jun	615.5
01-Jul	686.7
01-Aug	615.3
01-Sep	615.5
01-Oct	615.3
01-Dec	615.6
02-Jan	615.6
02-Feb	615.6
02-Mar	616
02-Apr	616.1
02-May	664.9
02-Jul	617.4
02-Sep	618.6
02-Dec	620.4
03-Jan	620.7
03-Feb	629.8
03-Apr	622.7
03-May	623.5
03-Jun	623.9
03-Jul	624.5
03-Aug	622.3
03-Sep	625.8
03-Oct	626

WATER CONSERVATION – SUMMARY – GROUND WATER

GROUND WATER FLUCTUATION:

Location: Raymond Basin

Ground Surface Elevation: 749.9 ft above MSL

STATION	4057H
	WS Elev.
03-Nov	626.5
03-Dec	621.1
04-Apr	629
04-May	629.3

WATER CONSERVATION – SUMMARY – GROUND WATER

GROUND WATER FLUCTUATION:

Location: San Gabriel Canyon Basin, North of Azusa

Ground Surface Elevation: 658.8 ft above MSL

STATION	4284A	4285
	WS Elev.	WS Elev.
Jan-64	602.1	597.9
Feb-64	611.9	610.5
Mar-64	616.9	608.4
Apr-64	619.8	616
May-64	631.3	630.7
Jun-64	623.1	617.6
Jul-64	611.4	605
Aug-64	606.3	602.7
Sep-64	606.7	605.9
Oct-64	614.6	613.1
Nov-64	613.3	606.9
Dec-64	612.4	599
Jan-65	613.7	610.3
Feb-65	611.7	606.2
Mar-65	593.6	583.8
Apr-65	591.9	575.7
May-65	642.7	633.3
Jun-65	653.1	635.3
Jul-65	651.9	639.5
Aug-65	653.1	639.3
Sep-65	654.7	638.4
Oct-65	652.2	641.6
Nov-65	656.1	632.8
Dec-65	662.8	638.1
Jan-66	665	650.7
Feb-66	659.8	654.8
Mar-66	665.7	647.1
Apr-66	644.4	639.9
May-66	644.4	634.1
Jun-66		623.8
Jul-66	631.8	621.9

WATER CONSERVATION – SUMMARY – GROUND WATER

GROUND WATER FLUCTUATION:

Location: San Gabriel Canyon Basin, North of Azusa

Ground Surface Elevation: 658.8 ft above MSL

STATION	4284A	4285
	WS Elev.	WS Elev.
Aug-66	630.1	
Sep-66	629.7	
Oct-66	639	
Nov-66	639.8	
Dec-66	639.2	651.3
Jan-67	658.9	648.9
Feb-67	671.4	657.3
Mar-67	660.7	645.1
Apr-67	660.9	643.5
May-67	653.4	645.4
Jun-67	651.3	639.7
Jul-67	644.6	634.1
Aug-67	644.6	617.3
Sep-67	619.7	597.9
Oct-67	622.3	617.5
Nov-67	642	627.1
Dec-67	632.3	632.1
Jan-68	654.9	648.4
Feb-68	644.4	642.4
Mar-68	642.7	639.9
Apr-68	651	644.1
May-68	635.7	632.1
Jun-68	626.5	620.6
Jul-68	624.6	620.3
Aug-68	639.7	618.9
Sep-68	606.4	602.5
Oct-68	601.6	
Nov-68	629.6	594
Dec-68	582.9	573.5
Jan-69	599.2	578.5
Feb-69	642.2	620.1

WATER CONSERVATION – SUMMARY – GROUND WATER

GROUND WATER FLUCTUATION:

Location: San Gabriel Canyon Basin, North of Azusa

Ground Surface Elevation: 658.8 ft above MSL

STATION	4284A	4285
	WS Elev.	WS Elev.
Mar-69	652.7	638
Apr-69	649.3	631.6
May-69	656.9	644
Jun-69	662.6	653
Jul-69	659.8	647.1
Aug-69	652.3	650.1
Sep-69	631.3	638.3
Oct-69	631.3	629.6
Nov-69	631.9	625.7
Dec-69	649.2	641.5
Jan-70	656.6	647.5
Feb-70	649.7	639.5
Mar-70	645	641.9
Apr-70	663.5	649.3
May-70	642.8	644.3
Jun-70	641.3	631.1
Jul-70	630.8	617.5
Aug-70	622.6	595.5
Sep-70	611.6	597.8
Oct-70	609.2	595.5
Nov-70	611.1	594.2
Dec-70	611.8	612
Jan-71	661.5	647.7
Feb-71	664	650.7
Mar-71	662.9	647.6
Apr-71	648.4	642.7
May-71	652.9	626.5
Jun-71	619.4	605.6
Jul-71	606.4	589.2
Aug-71	598	578.3
Sep-71	595.9	572.9

WATER CONSERVATION – SUMMARY – GROUND WATER

GROUND WATER FLUCTUATION:

Location: San Gabriel Canyon Basin, North of Azusa

Ground Surface Elevation: 658.8 ft above MSL

STATION	4284A	4285
	WS Elev.	WS Elev.
Oct-71	597.3	575.9
Nov-71	593.4	577.7
Dec-71	586.6	566.3
Jan-72	600.9	571.6
Feb-72	654.4	644.9
Mar-72	647.9	645.4
Apr-72	630	622.7
May-72	605	594.7
Jun-72	596.4	582.3
Jul-72	574.6	558.4
Aug-72	558.2	547.5
Sep-72	556.2	548.9
Oct-72	553.9	537.9
Nov-72	555.4	525.3
Dec-72	627.5	599.6
Jan-73	621.3	
Feb-73	639.3	605.1
Mar-73	664	646.3
Apr-73	664.1	649.8
May-73	661.2	651.3
Jun-73	643.4	645.7
Jul-73	642.4	626.8
Aug-73	642.2	622
Sep-73	633.4	617.7
Oct-73	629.9	611.6
Nov-73	635.9	619.4
Dec-73	653.2	637.2
Jan-74	660.7	639.2
Feb-74		649.1
Mar-74	656.2	630.1
Apr-74		642.1

WATER CONSERVATION – SUMMARY – GROUND WATER

GROUND WATER FLUCTUATION:

Location: San Gabriel Canyon Basin, North of Azusa

Ground Surface Elevation: 658.8 ft above MSL

STATION	4284A	4285
	WS Elev.	WS Elev.
May-74	653.2	642.4
Jun-74		631.4
Jul-74		635.3
Aug-74	642.2	631.1
Sep-74	639.1	622.9
Oct-74	636.7	622.8
Nov-74	626.1	626
Dec-74		608.5
Jan-75	614.2	601.4
Feb-75	611.9	597
Mar-75	622.2	614.7
Apr-75	629.7	637.6
May-75	660.2	636.4
Jun-75	658.9	632.6
Jul-75	639.9	627.7
Aug-75	629.2	617
Sep-75	629.2	605.9
Oct-75	631	608.8
Nov-75		616.3
Dec-75	620.1	593
Jan-76	619.7	580
Feb-76	602.6	576.3
Mar-76	635.1	601.4
Apr-76	649.3	643
May-76	630.7	614.7
Jun-76	608.5	601.7
Jul-76	607.9	595.8
Aug-76	608.9	596.8
Sep-76	605.6	590.5
Oct-76	638.3	600.8
Nov-76		617.3

WATER CONSERVATION – SUMMARY – GROUND WATER

GROUND WATER FLUCTUATION:

Location: San Gabriel Canyon Basin, North of Azusa

Ground Surface Elevation: 658.8 ft above MSL

STATION	4284A	4285
	WS Elev.	WS Elev.
Dec-76	600.7	601.4
Jan-77	608.1	579.7
Feb-77	647.7	629
Mar-77	607	598.6
Apr-77	595.2	584.9
May-77	592.4	585.1
Jun-77	597.1	584.5
Jul-77	598.3	582.4
Aug-77	593.1	578.8
Sep-77	596.9	575.9
Oct-77	600.3	582.6
Nov-77	598.1	579.4
Dec-77	632.3	588.6
Jan-78	639.4	628.3
Feb-78	656.6	643.2
Mar-78	666	646.5
Apr-78	659	642.8
May-78	654.5	648
Jun-78	654.5	642.5
Jul-78	650.4	636.7
Aug-78	641.8	634.7
Sep-78	642.8	619.1
Oct-78	639	625.3
Nov-78	628	619
Dec-78	632.7	616.1
Jan-79	644.3	640.2
Feb-79	651.1	641.9
Mar-79	647.9	637.1
Apr-79	649	639.1
May-79	646.2	627
Jun-79	642.1	

WATER CONSERVATION – SUMMARY – GROUND WATER

GROUND WATER FLUCTUATION:

Location: San Gabriel Canyon Basin, North of Azusa

Ground Surface Elevation: 658.8 ft above MSL

STATION	4284A	4285
	WS Elev.	WS Elev.
Jul-79	637.7	625.9
Aug-79	631.1	
Sep-79	622.4	611
Oct-79	624.8	
Nov-79	621.9	610.1
Dec-79	628.9	610.1
Jan-80	615.4	
Feb-80	628.5	612.3
Mar-80	648.5	634.6
Apr-80	651.8	637.2
May-80	652.2	644.5
Jun-80	650.6	637.2
Jul-80	649.1	628.3
Aug-80	641.2	630.3
Sep-80	640.6	619.8
Oct-80	643.6	620.1
Nov-80	664	625.7
Dec-80	637.5	623.3
Jan-81	631.8	622.1
Feb-81	624.8	607.4
Mar-81	623.9	608.1
Apr-81	638	606.4
May-81	615	590
Jun-81	607.2	575.9
Jul-81	584.5	556.9
Aug-81	578.3	555
Sep-81	584.2	555.6
Oct-81	582.4	566.2
Nov-81	598.3	577.6
Dec-81	606	594.1
Jan-82	623.7	610.1

WATER CONSERVATION – SUMMARY – GROUND WATER

GROUND WATER FLUCTUATION:**Location: San Gabriel Canyon Basin, North of Azusa****Ground Surface Elevation: 658.8 ft above MSL**

STATION	4284A	4285
	WS Elev.	WS Elev.
Feb-82	630.7	620.1
Mar-82	636.4	625.8
Apr-82	637.3	620.3
May-82	635.9	608.7
Jun-82	626.4	613.4
Jul-82	636.5	606.4
Aug-82	620.5	596.7
Sep-82	617.1	604.2
Oct-82	628	620.2
Nov-82	637	622
Dec-82	639.6	632
Jan-83	636	628.4
Feb-83	647.2	629.7
Mar-83	652.4	640.4
Apr-83	652.3	640.2
May-83	651.6	641.4
Jun-83	651.3	634.5
Jul-83	647.8	631.6
Aug-83	641	622.3
Sep-83	630.6	613.5
Oct-83	631.7	615.3
Nov-83	646.6	631.7
Dec-83	645.2	632.9
Jan-84	643.3	628.8
Feb-84	642.9	636
Mar-84	639.8	626.4
Apr-84	626.4	621.3
May-84	617.7	
Jun-84	600.8	589.9
Jul-84	596.5	
Aug-84	579.9	572.3

WATER CONSERVATION – SUMMARY – GROUND WATER

GROUND WATER FLUCTUATION:**Location: San Gabriel Canyon Basin, North of Azusa****Ground Surface Elevation: 658.8 ft above MSL**

STATION	4284A	4285
	WS Elev.	WS Elev.
Sep-84	572	567.3
Oct-84		563.3
Nov-84	573.4	562
Dec-84	570	558.5
Jan-85	609.4	565.7
Feb-85	642.8	627.6
Mar-85		622.3
Apr-85	597	
Jun-85	618.7	
Jul-85	612.3	599.6
Aug-85	594	573.8
Sep-85	588.3	
Oct-85	621	571.8
Nov-85	629.2	619.6
Dec-85	643.7	623.5
Jan-86	647.7	630.8
Feb-86	651.3	634.9
Mar-86	648.3	638.4
Apr-86	645.7	637.9
May-86	646.6	635.3
Jun-86	639.4	625.7
Jul-86	623.3	606.3
Aug-86	616.9	599.9
Sep-86	598.5	
Oct-86	587.4	605.3
Nov-86	594	585.8
Dec-86	610.6	599.9
Jan-87	626.3	608.1
Feb-87	635.2	630.4
Mar-87	651	629.2
Apr-87	647.9	632.2

WATER CONSERVATION – SUMMARY – GROUND WATER

GROUND WATER FLUCTUATION:**Location: San Gabriel Canyon Basin, North of Azusa****Ground Surface Elevation: 658.8 ft above MSL**

STATION	4284A	4285
	WS Elev.	WS Elev.
May-87	636.4	
Jun-87	610.5	592.6
Jul-87	597.1	583
Aug-87	580.8	570.8
Sep-87	574	559.7
Oct-87	608	552.3
Nov-87	600.1	553.4
Dec-87	610.8	593.8
Jan-88	627.4	624.2
Feb-88	640	632.9
Mar-88	641.3	638.2
Apr-88	635.2	625.9
May-88	632.5	
Jun-88	641.6	
Aug-88	611.8	
Sep-88	605.6	
Oct-88	619	
Nov-88	612.4	605.1
Dec-88	616.3	
Jan-89	640.8	
May-89	653	
Aug-89	646.2	
Sep-89	644.9	
Oct-89	601	
Mar-90		620.1
Apr-90	650	
Oct-90	631	
Apr-91	643	636.6
May-91	636	
Jun-91	623	
Jul-91	629	

WATER CONSERVATION – SUMMARY – GROUND WATER
--

GROUND WATER FLUCTUATION:**Location: San Gabriel Canyon Basin, North of Azusa****Ground Surface Elevation: 658.8 ft above MSL**

STATION	4284A	4285
	WS Elev.	WS Elev.
Aug-91	637	
Sep-91	641	629.4
Oct-91	635	
Nov-91	624	
Dec-91	616	
Jan-92	619	
Feb-92	630	
Mar-92	642	619.3
Apr-92	650	599.1
Oct-92	629	
Nov-92		606.1
Mar-93		634.5
Apr-93	647	633.3
Oct-93	619	
May-94	591	
Nov-94	592.9	
May-95	591	
Nov-99	607	
May-00	646	
01-Mar	621	
01-Dec	631	
Nov-03	643.0	
May-04	612.0	
06-Apr	633.0	
06-Dec	648.0	

WATER CONSERVATION – SUMMARY – GROUND WATER

GROUND WATER FLUCTUATION:**Location: Upper Claremont Heights****Ground Surface Elevation: 1482.0 ft above MSL**

STATION	4508B	4508A
	WS Elev.	WS Elev.
Jan-60	1328.5	
Feb-60	1329.9	
Mar-60	1329	
Apr-60	1318.5	
May-60	1323.5	
Jun-60	1307.6	
Jul-60	1302.3	
Aug-60	1298.2	
Sep-60	1290.5	
Oct-60	1295.9	
Nov-60	1284.4	
Dec-60	1298.8	
Jan-61	1289.7	
Feb-61	1294.9	
Mar-61	1285.6	
Apr-61	1276.5	
May-61	1279	
Jun-61	1276	
Jul-61	1273.3	
Aug-61	1271	
Sep-61	1268	
Oct-61	1265.6	
Nov-61	1263.4	
Dec-61	1265.4	
Jan-62	1265.6	
Feb-62	1268.6	
Mar-62	1270.2	
Apr-62	1269.1	
May-62	1269.5	
Jun-62	1266.8	
Dec-62	1258.2	

WATER CONSERVATION – SUMMARY – GROUND WATER

GROUND WATER FLUCTUATION:**Location: Upper Claremont Heights****Ground Surface Elevation: 1482.0 ft above MSL**

STATION	4508B	4508A
	WS Elev.	WS Elev.
Jan-63	1259.4	
Feb-63	1262.7	
Mar-63	1265.4	
Apr-63	1268.6	
May-63	1271.7	
Jun-63	1267.2	
Jul-63	1264.1	
Aug-63	1262.2	
Sep-63	1261.1	
Oct-63	1261	
Nov-63	1260.3	
Dec-63	1262.5	
Jan-64	1261.9	
Feb-64	1263.7	
Mar-64	1262.3	
Apr-64	1263.5	
May-64	1261.9	
Jun-64	1258.8	
Aug-64	1253.2	
Sep-64	1251.9	
Oct-64	1250.3	
Nov-64	1248.2	
Dec-64	1248.6	
Jan-65	1246.9	
Feb-65	1250.8	
Mar-65	1251	
Apr-65	1251.9	
May-65	1251.9	
Jun-65	1252.1	
Jul-65	1250	
Aug-65	1247.4	

WATER CONSERVATION – SUMMARY – GROUND WATER

GROUND WATER FLUCTUATION:**Location: Upper Claremont Heights****Ground Surface Elevation: 1482.0 ft above MSL**

STATION	4508B	4508A
	WS Elev.	WS Elev.
Sep-65	1246.1	
Oct-65	1244.3	
Nov-65	1247	
Dec-65	1244.8	
Jan-66	1245	
Feb-66	1247.6	
Mar-66	1253.1	
Apr-66	1288.3	
May-66	1320.4	
Jun-66	1338	
Jul-66	1351.7	
Aug-66	1355.8	
Sep-66	1357.7	
Oct-66	1350.8	
Nov-66	1348	
Dec-66	1346.9	
Jan-67	1349	
Feb-67	1355.3	
Mar-67	1363.2	
Apr-67	1371.1	
May-67	1381.4	
Jun-67	1386.3	
Jul-67	1401	
Aug-67	1404.1	
Sep-67	1402.2	
Oct-67	1395.8	
Nov-67	1391.8	
Dec-67	1387.6	
Jan-68	1385.4	
Feb-68	1382.5	
Mar-68	1380.2	

WATER CONSERVATION – SUMMARY – GROUND WATER

GROUND WATER FLUCTUATION:

Location: Upper Claremont Heights

Ground Surface Elevation: 1482.0 ft above MSL

STATION	4508B	4508A
	WS Elev.	WS Elev.
Apr-68	1377.9	
May-68	1372	
Jun-68	1373.3	
Jul-68	1363.2	
Aug-68	1358.3	
Sep-68	1352.3	
Oct-68	1346.9	
Nov-68	1342.8	
Dec-68	1339.8	
Jan-69	1339.7	
Mar-69	1341.8	
Apr-69	1373.1	
May-69	1424.9	
Jun-69	1454.9	
Jul-69	1447.4	
Aug-69	1444.5	
Sep-69	1431.4	
Oct-69	1422.2	
Nov-69	1411.4	
Dec-69	1405.7	
Jan-70	1399.1	
Feb-70	1395.2	
Mar-70	1391	
Apr-70	1388.4	
May-70	1383.2	
Jun-70	1378.2	
Jul-70	1376	
Aug-70	1378.1	
Sep-70	1363.1	
Oct-70	1359.8	
Nov-70	1354.1	

WATER CONSERVATION – SUMMARY – GROUND WATER

GROUND WATER FLUCTUATION:**Location: Upper Claremont Heights****Ground Surface Elevation: 1482.0 ft above MSL**

STATION	4508B	4508A
	WS Elev.	WS Elev.
Dec-70	1351.2	
Jan-71	1352	
Feb-71	1352.1	
Mar-71	1352	
Apr-71	1349.8	
May-71	1337	
Jun-71	1330.1	
Jul-71	1325.3	
Aug-71	1326.6	
Sep-71	1312.1	
Oct-71	1310.5	
Nov-71	1319.6	
Dec-71	1318.8	
Jan-72	1319.3	
Feb-72	1319.6	
Mar-72	1314.7	
Apr-72	1299.8	
May-72	1311	
Jun-72	1297.7	
Jul-72	1292.4	
Aug-72	1290.1	
Sep-72	1287.3	
Oct-72	1287.6	
Nov-72	1286.5	
Dec-72	1296.1	
Jan-73	1298.2	
Feb-73	1300	
Mar-73	1302.1	
Apr-73	1303.7	
May-73	1298.1	
Jun-73	1304.8	

WATER CONSERVATION – SUMMARY – GROUND WATER

GROUND WATER FLUCTUATION:**Location: Upper Claremont Heights****Ground Surface Elevation: 1482.0 ft above MSL**

STATION	4508B	4508A
	WS Elev.	WS Elev.
Jul-73	1302.2	
Aug-73	1297.4	
Oct-73	1314.9	
Nov-73	1308.3	
Dec-73	1322.4	
Jan-74	1333.4	
Feb-74	1332.7	
Mar-74	1335.3	
Apr-74	1336.3	
May-74	1327.3	
Jun-74	1325.5	
Jul-74	1323	
Aug-74	1322.5	
Sep-74	1312.1	
Oct-74	1306.5	
Nov-74	1319.2	
Dec-74	1321.9	
Jan-75	1323.1	
Feb-75	1322.5	
Mar-75	1322.9	
Apr-75	1324.7	
May-75	1324.1	
Jun-75	1314.3	
Jul-75	1305.2	
Aug-75	1301.1	
Sep-75	1299.2	
Oct-75	1303.6	
Nov-75	1303.6	
Dec-75	1301.1	
Jan-76	1296.9	
Feb-76	1293.7	

WATER CONSERVATION – SUMMARY – GROUND WATER

GROUND WATER FLUCTUATION:**Location: Upper Claremont Heights****Ground Surface Elevation: 1482.0 ft above MSL**

STATION	4508B	4508A
	WS Elev.	WS Elev.
Mar-76	1306.3	
Apr-76	1306.2	
May-76	1296.4	
Jun-76	1294.2	
Jul-76	1289	
Aug-76	1286.4	
Sep-76	1286.5	
Oct-76	1286.1	
Nov-76	1285.9	
Dec-76	1293.2	
Jan-77	1294.5	
Feb-77	1287.7	
Mar-77	1290.9	
Apr-77	1297.4	
May-77	1294.3	
Jun-77	1288.1	
Jul-77	1286	
Aug-77	1282.2	
Sep-77	1282	
Oct-77	1281.7	
Nov-77	1280.6	
Jan-78	1290.6	
Feb-78	1293.2	
Mar-78	1297.8	
Apr-78	1361.1	
May-78	1436.2	1438
Jun-78	1449.2	1443.1
Jul-78	1429.4	1434.2
Aug-78	1436.6	1437
Sep-78		1443
Oct-78	1420.5	1408

WATER CONSERVATION – SUMMARY – GROUND WATER

GROUND WATER FLUCTUATION:

Location: Upper Claremont Heights

Ground Surface Elevation: 1482.0 ft above MSL

STATION	4508B	4508A
	WS Elev.	WS Elev.
Dec-78	1408.1	1397
Jan-79	1401.6	1385
Feb-79	1396.6	1391
Mar-79	1393.3	1385
Apr-79	1387.3	1381
May-79	1383.5	1376
Jun-79	1380.4	1374
Aug-79	1388.1	1383
Sep-79		1382
Oct-79	1384.2	1380
Nov-79	1381.9	1380
Dec-79	1379.1	1373.5
Jan-80	1376.8	
Feb-80		1373.5
Mar-80	1386.2	1385
Apr-80	1430.3	1430
May-80	1446.3	
Jul-80	1445.5	
Aug-80	1430.7	
Sep-80	1422.3	1408
Oct-80	1408.9	1402
Dec-80	1394.2	1387
Jan-81	1389.3	1382.5
Feb-81	1385.4	
Mar-81	1383.8	1380
Apr-81	1376.6	1368.5
May-81		1368.5
Sep-81		1344
Oct-81		1344
Nov-81		1342
Dec-81		1340

WATER CONSERVATION – SUMMARY – GROUND WATER

GROUND WATER FLUCTUATION:

Location: Upper Claremont Heights

Ground Surface Elevation: 1482.0 ft above MSL

STATION	4508B	4508A
	WS Elev.	WS Elev.
Jan-82		1339.5
Feb-82		1339.5
Mar-82		1340
Apr-82		1340
May-82		1355
Sep-82		1376
Oct-82		1374.5
Nov-82		1373
Dec-82		1374.5
Jan-83		1370
Feb-83		1373
Mar-83		1403
Apr-83		1441.5
May-83		1450
Jun-83		1452
Apr-84		1391
May-84		1383.5
Jul-84		1376
Aug-84		1370
Sep-84		1364
Oct-84		1362
Nov-84		1360.4
Dec-84		1359
Jan-85		1358.4
Feb-85		1357
Mar-85		1356
Apr-85		1350
May-85		1346
Jun-85		1343.5
Jul-85		1318
Aug-85		1332.4

WATER CONSERVATION – SUMMARY – GROUND WATER

GROUND WATER FLUCTUATION:

Location: Upper Claremont Heights

Ground Surface Elevation: 1482.0 ft above MSL

STATION	4508B	4508A
	WS Elev.	WS Elev.
Sep-85		1308
Oct-85		1326
Nov-85		1326
Jan-86		1324.4
Feb-86		1323
Mar-86		1328
Apr-86		1337
May-86		1324
Jun-86		1330
Jul-86		1332
Sep-86		1348
Oct-86		1349
Nov-86		1349.4
Dec-86		1346
Jan-87		1345
Feb-87		1341
Apr-87		1337
Oct-87		1283
Nov-87		1266
Dec-87		1274
Jan-88		1315
Feb-88		1317
Mar-88		1350
Apr-88		1297
May-88		1296
Jun-88		1288
Jul-88		1276
Aug-88		1264
Sep-88		1265
Oct-88		1298
Sep-89		1279

WATER CONSERVATION – SUMMARY – GROUND WATER

GROUND WATER FLUCTUATION:

Location: Upper Claremont Heights

Ground Surface Elevation: 1482.0 ft above MSL

STATION	4508B	4508A
	WS Elev.	WS Elev.
Oct-89		1282
Nov-89		1280
Jan-90		1280.5
Feb-90		1297
Mar-90		1293
Apr-90		1279
Jul-90		1277
Aug-90		1274
Sep-90		1272
Oct-90		1289.5
Jan-91		1289.5
Feb-91		1292
Mar-91		1293
Apr-91		1290.7
Jun-91		1329
Oct-91		1296
Nov-91		1288
Dec-91		1292
Jan-92		1309
Feb-92		1310.5
Mar-92		1311
Apr-92		1310
May-92		1312
Jun-92		1333.5
Jul-92		1337
Aug-92		1349
Sep-92		1351
Oct-92		1351
Nov-92		1340
Dec-92		1348
Feb-93		1410

WATER CONSERVATION – SUMMARY – GROUND WATER

GROUND WATER FLUCTUATION:**Location: Upper Claremont Heights****Ground Surface Elevation: 1482.0 ft above MSL**

STATION	4508B	4508A
	WS Elev.	WS Elev.
Mar-93		1411
Apr-93		1418
Sep-93		1383.5
Oct-93		1377.7
Nov-93		1387
Dec-93		1395
Mar-94		1383.2
Apr-94		1378
May-94		1378
Jul-94		1311
Aug-94		1304
Sep-94		1301
Oct-94		1322
Oct-95		1344.1
Apr-96		1339
Oct-96		1337
Apr-97		1325
Oct-97		1339
Apr-98		1360
Oct-98		1396.5
Apr-99		1351
Oct-99		1330
May-00		1303
Nov-00		1300
01-Mar		1299
02-Oct		1285
03-Apr		1273
04-May		1267
04-Aug		1266
05-Apr		1382
05-Oct		1370.0

WATER CONSERVATION – SUMMARY – GROUND WATER

GROUND WATER FLUCTUATION:

Location: Upper Claremont Heights

Ground Surface Elevation: 1482.0 ft above MSL

STATION	4508B	4508A
	WS Elev.	WS Elev.
06-Apr		1343.5
06-Sep		1353.0

WATER CONSERVATION – SUMMARY – GROUND WATER

GROUND WATER FLUCTUATION:

Location: Santa Clarita Valley, Near Castaic Junction

Ground Surface Elevation: 1131.0 ft above MSL

STATION	7048A	7048C	7057P
	WS Elev.	WS Elev.	WS Elev.
Jan-64	1044.5		
Feb-64	1046.5		
Mar-64	1045.5		
Apr-64	1047		
May-64	1044.8		
Jun-64	1037.2		
Jul-64	1034.5		
Aug-64	1032.2		
Sep-64	1032.2		
Oct-64	1032.2		
Nov-64	1036.2		
Jan-65	1042.6		
Mar-65	1040.4		
Apr-65	1042.9		
May-65	1039.1		
Jul-65	1033.9		
Aug-65	1031.5		
Sep-65	1028.7		
Oct-65	1032.5		
Nov-65	1035.2		
Dec-65	1037.1		
Jan-66	1048.1		
Mar-66	1052.4		
Apr-66	1049.3		
May-66	1044.5		
Jun-66	1043.3		
Nov-66	1037		
Dec-66	1048.6		
Mar-67	1055		
Apr-67	1058.8		
May-67	1054.7		

WATER CONSERVATION – SUMMARY – GROUND WATER

GROUND WATER FLUCTUATION:

Location: Santa Clarita Valley, Near Castaic Junction

Ground Surface Elevation: 1131.0 ft above MSL

STATION	7048A	7048C	7057P
	WS Elev.	WS Elev.	WS Elev.
Jun-67	1052		
Aug-67	1047.9		
Sep-67	1046.4		
Oct-67	1049.2		
Nov-67	1045.7		
Dec-67	1055.2		
Jan-68	1059		
Feb-68	1062.5		
Mar-68	1063.4		
Apr-68	1060.4		
May-68	1056.3		
Jul-68	1052.5		
Aug-68	1051.9		
Sep-68	1055.1		
Oct-68	1056.8		
Nov-68	1058.7		
Dec-68	1059.5		
Jan-69	1060.1		
Feb-69	1062.4		
Mar-69	1085.9		
Apr-69	1086.2		
May-69	1094.2		
Jun-69	1093.1		
Jul-69	1091.9		
Aug-69	1084.8		
Sep-69	1084.5		
Oct-69	1088		
Nov-69	1085.8		
Dec-69	1086.3		
Jan-70	1084.1		
Feb-70	1088.1		

WATER CONSERVATION – SUMMARY – GROUND WATER

GROUND WATER FLUCTUATION:

Location: Santa Clarita Valley, Near Castaic Junction

Ground Surface Elevation: 1131.0 ft above MSL

STATION	7048A	7048C	7057P
	WS Elev.	WS Elev.	WS Elev.
Mar-70	1094.9		
Apr-70	1094		
May-70	1091.2		
Jun-70	1088.8		
Jul-70	1088.2		
Aug-70	1085		
Sep-70	1084.9		
Oct-70	1085.1		
Nov-70	1086.9		
Dec-70	1090.5		
Jan-71	1098.1		
Feb-71	1095.8		
Mar-71	1099.6		
Apr-71	1099.2		
May-71	1097.5		
Jun-71	1096.7		
Jul-71	1095.3		
Aug-71	1091.6		
Sep-71	1092.1		
Oct-71	1092		
Nov-71	1092.6		
Dec-71	1094.1		
Jan-72	1096.5		
Feb-72	1096.7		
Mar-72	1097.3		
Apr-72	1092.4		
May-72	1092.6		
Jun-72	1088.9		
Jul-72	1087.4		
Sep-72	1086.9		
Oct-72	1087.9		

WATER CONSERVATION – SUMMARY – GROUND WATER

GROUND WATER FLUCTUATION:

Location: Santa Clarita Valley, Near Castaic Junction

Ground Surface Elevation: 1131.0 ft above MSL

STATION	7048A	7048C	7057P
	WS Elev.	WS Elev.	WS Elev.
Nov-72	1089.5		
Dec-72	1092.9		
Jan-73	1093.1		
Feb-73	1095.3		
Mar-73	1097.6		
Apr-73	1098.5		
May-73	1094.9		
Jun-73	1092.7		
Jul-73	1089.3		
Aug-73	1087.4		
Sep-73	1087.9		
Oct-73	1090.3		
Nov-73	1088.5		
Dec-73	1091.3		
Jan-74	1096.5		
Feb-74	1093.8		
Mar-74	1094.1		
Apr-74	1095.8		
May-74	1096.5		
Jun-74	1094.6		
Jul-74	1090.3		
Aug-74	1093		
Sep-74	1093		
Dec-74	1092.4		
Jan-75	1093.3		
Feb-75	1094.6		
Mar-75	1094.5		
Apr-75	1096.5		
May-75	1096.5		
Jun-75	1092.2		
Jul-75	1089.1		

WATER CONSERVATION – SUMMARY – GROUND WATER

GROUND WATER FLUCTUATION:

Location: Santa Clarita Valley, Near Castaic Junction

Ground Surface Elevation: 1131.0 ft above MSL

STATION	7048A	7048C	7057P
	WS Elev.	WS Elev.	WS Elev.
Aug-75	1084.1		
Sep-75	1083.8		
Oct-75	1084.7		
Nov-75	1087.7		
Dec-75	1087.5		
Jan-76	1086.1		
Feb-76	1089.3		
Mar-76	1089.1		
Apr-76	1089.5		
May-76	1090.5		
Jun-76	1086.8		
Jul-76	1082.5		
Aug-76	1082.5		
Sep-76	1082.8		
Oct-76	1083.9		
Dec-76	1085.4		
Jan-77	1087.1		
Feb-77	1087		
Mar-77	1086		
May-77	1086.1		
Jun-77	1084.4		
Jul-77	1082.5		
Aug-77	1080.5		
Sep-77	1076.9		
Oct-77	1077.7		
Nov-77	1079.6		
Dec-77	1080		
Jan-78	1083.3		
Feb-78	1087.9		
Mar-78	1097.8		
Apr-78	1099.7		

WATER CONSERVATION – SUMMARY – GROUND WATER

GROUND WATER FLUCTUATION:

Location: Santa Clarita Valley, Near Castaic Junction

Ground Surface Elevation: 1131.0 ft above MSL

STATION	7048A	7048C	7057P
	WS Elev.	WS Elev.	WS Elev.
May-78	1097.2		
Jun-78	1094.6		
Jul-78	1091.7		
Aug-78	1089.5		
Sep-78	1087.6		
Oct-78	1089.7		
Dec-78	1087.9		
Jan-79	1093.4		
Feb-79	1097.3		
Mar-79	1100.7		
Apr-79	1098.3		
May-79	1095.9		
Jun-79	1093.5		
Jul-79	1090.3		
Sep-79	1088.9		
Oct-79	1091.5		
Dec-79	1093.7		
Jan-80	1097.3		
Mar-80	1106.8		
May-80	1107		
Jun-80	1104.6		
Jul-80	1104.1		
Aug-80	1103.2		
Sep-80	1101.3		
Oct-80	1096.6		
Nov-80	1100.1		
Dec-80	1100.2		
Jan-81	1100.9		
Feb-81	1103.3		
Apr-81	1102.5		
May-81	1103.5		

WATER CONSERVATION – SUMMARY – GROUND WATER

GROUND WATER FLUCTUATION:

Location: Santa Clarita Valley, Near Castaic Junction

Ground Surface Elevation: 1131.0 ft above MSL

STATION	7048A	7048C	7057P
	WS Elev.	WS Elev.	WS Elev.
Jun-81	1100.7		
Jul-81	1100.4		
Aug-81	1099.9		
Sep-81	1099		
Oct-81	1099.4		
Nov-81	1100.4		
Dec-81	1102.2		
Jan-82	1103.3		
Feb-82	1100.3		
Mar-82	1105.4		
Apr-82	1106.1		
May-82	1104.5		
Jun-82	1103.8		
Jul-82	1102.8		
Aug-82	1102.5		
Sep-82	1102		
Oct-82	1101.8		
Nov-82	1102.7		
Dec-82	1103.2		
Jan-83	1102		
Feb-83	1105.9		
Mar-83	1107.1		
Apr-83	1108		
May-83	1107.7		
Jun-83	1107.4		
Jul-83	1106.5		
Aug-83	1105.8		
Oct-83	1104.6		
Nov-83	1104.7		
Dec-83	1105.3		
Jan-84	1105.6		

WATER CONSERVATION – SUMMARY – GROUND WATER

GROUND WATER FLUCTUATION:

Location: Santa Clarita Valley, Near Castaic Junction

Ground Surface Elevation: 1131.0 ft above MSL

STATION	7048A	7048C	7057P
	WS Elev.	WS Elev.	WS Elev.
Feb-84	1105.6		
Mar-84	1106.5		
Apr-84	1104.7		
Jun-84	1102.4		
Jul-84	1102.4		
Aug-84	1103.4		
Sep-84	1101.7		
Dec-84	1105.9		
Jan-85	1104.3		
Apr-85	1104.8		
May-85	1101.1		
Jun-85	1099.9		
Jul-85	1100.3		
Aug-85	1107		
Sep-85	1100.7		
Oct-85	1100.5		
Dec-85	1101.5		
Jan-86	1101	1108	
Feb-86	1103.5	1110.5	
Mar-86	1105.2	1110.7	
Apr-86	1105	1109.2	
May-86	1102.2	1108.7	
Jun-86	1103.5		
Jul-86	1101.9	1106.4	
Aug-86	1098.3	1105.7	
Sep-86	1097.9	1104.4	
Oct-86	1098.9	1105.5	
Nov-86		1104.2	
Dec-86	1098.7	1105.3	
Jan-87	1100.7	1106	
Mar-87	1097	1093.7	

WATER CONSERVATION – SUMMARY – GROUND WATER

GROUND WATER FLUCTUATION:**Location: Santa Clarita Valley, Near Castaic Junction****Ground Surface Elevation: 1131.0 ft above MSL**

STATION	7048A	7048C	7057P
	WS Elev.	WS Elev.	WS Elev.
Apr-87	1098.7	1104.7	
May-87	1097	1104.2	
Jun-87	1094.5	1102.5	
Jul-87	1088.5	1098.7	
Aug-87		1097.2	
Sep-87	1094.3	1099.3	
Oct-87	1094	1101.6	
Nov-87	1096.5	1102.2	
Dec-87	1095.5	1102.7	
Jan-88	1099.9	1104.2	
Feb-88	1098.2	1103.4	
Mar-88	1098.5	1104.2	
Jun-88	1098	1102.4	
Jul-88	1094	1101.2	
Aug-88	1095.7	1101.2	
Sep-88	1093.8	1100.7	
Oct-88	1096.5	1100.2	
Jan-89	1092.8	1102.7	
Mar-89	1097.2	1101.8	
Apr-89	1093.5	1100.2	
May-89	1095.7	1100.3	
Jun-89	1095	1099.3	
Jul-89	1093.6	1098.2	
Aug-89	1089.6	1098.2	
Sep-89	1091.7	1097.4	
Oct-89	1091.8	1095.7	1100.4
Nov-89	1089	1097	
Dec-89	1089.9	1096.3	
Jan-90	1091		
Mar-90	1094.3	1097.8	1104.5
Apr-90		1097.3	

WATER CONSERVATION – SUMMARY – GROUND WATER

GROUND WATER FLUCTUATION:**Location: Santa Clarita Valley, Near Castaic Junction****Ground Surface Elevation: 1131.0 ft above MSL**

STATION	7048A	7048C	7057P
	WS Elev.	WS Elev.	WS Elev.
Jun-90		1096.1	
Jul-90		1085.2	
Sep-90		1091.2	
Oct-90			1092
Nov-90		1090.7	
Dec-90		1091.4	
Jan-91		1092.2	
Feb-91		1092.2	
Apr-91		1095.7	
May-91		1093	
Jun-91		1087.3	
Jul-91		1085.2	
Aug-91		1082.7	
Sep-91		1080	
Oct-93			1101
Oct-94			1095.6
May-95			1109.8
Oct-95			1099
Nov-96			1099.8
May-97			1095.5
Oct-97			1092.6
Dec-98			1104.4
May-99			1095.1
Nov-99			1095

WATER CONSERVATION – SUMMARY – GROUND WATER

GROUND WATER FLUCTUATION:**Location: Little Rock, South of Palmdale****Ground Surface Elevation: 2777.0 ft above MSL**

STATION	8825
	WS Elev.
Jan-56	2647.8
Feb-56	2646.3
Mar-56	2647.9
Apr-56	2648
May-56	2653.4
Jun-56	2645.9
Jul-56	2629.9
Aug-56	2644.2
Sep-56	2649.6
Oct-56	2652
Nov-56	2653.7
Dec-56	2655.2
Jan-57	2656.6
Feb-57	2657.5
Mar-57	2658.6
Apr-57	2657.7
May-57	2656.7
Jun-57	2655.8
Jul-57	2649.8
Aug-57	2651.3
Sep-57	2651
Oct-57	2654.4
Nov-57	2656
Dec-57	2657.8
Jan-58	2658.9
Feb-58	2660
Mar-58	2660.5
Apr-58	2660.5
May-58	2660.8
Jun-58	2661.3
Jul-58	2659.6

WATER CONSERVATION – SUMMARY – GROUND WATER

GROUND WATER FLUCTUATION:**Location: Little Rock, South of Palmdale****Ground Surface Elevation: 2777.0 ft above MSL**

STATION	8825
	WS Elev.
Aug-58	2657.7
Sep-58	2657.6
Oct-58	2666.1
Nov-58	2659.9
Dec-58	2663.2
Jan-59	2664.4
Feb-59	2664.7
Mar-59	2665.4
Apr-59	2662
May-59	2658.7
Jun-59	2662.5
Jul-59	2657.4
Aug-59	2656.4
Sep-59	2658.7
Oct-59	2661.7
Nov-59	2660.6
Dec-59	2662.1
Jan-60	2663.2
Feb-60	2664.3
Mar-60	2664.4
Apr-60	2659.9
May-60	2660.4
Jun-60	2658.5
Jul-60	2654.3
Aug-60	2652.7
Sep-60	2654.1
Oct-60	2650.6
Nov-60	2656
Dec-60	2657.1
Jan-61	2658.4
Feb-61	2658.2

WATER CONSERVATION – SUMMARY – GROUND WATER

GROUND WATER FLUCTUATION:**Location: Little Rock, South of Palmdale****Ground Surface Elevation: 2777.0 ft above MSL**

STATION	8825
	WS Elev.
Mar-61	2654.3
Apr-61	2655.8
May-61	2653
Jun-61	2651.6
Jul-61	2649.1
Aug-61	2646.6
Sep-61	2650.2
Oct-61	2648.1
Nov-61	2650.9
Dec-61	2649.6
Jan-62	2654
Feb-62	2654.4
Mar-62	2655.2
Apr-62	2652.6
May-62	2653.6
Jun-62	2653.5
Jul-62	2652.2
Aug-62	2650.5
Sep-62	2651.5
Oct-62	2651.9
Nov-62	2653.5
Jan-63	2654.8
Feb-63	2655.3
Mar-63	2650.1
Apr-63	2654.6
May-63	2649.9
Jun-63	2648.3
Jul-63	2647.2
Aug-63	2645
Sep-63	2648.7
Oct-63	2650.3

WATER CONSERVATION – SUMMARY – GROUND WATER

GROUND WATER FLUCTUATION:**Location: Little Rock, South of Palmdale****Ground Surface Elevation: 2777.0 ft above MSL**

STATION	8825
	WS Elev.
Nov-63	2652.1
Dec-63	2653.2
Jan-64	2653.7
Feb-64	2653.3
Mar-64	2650.3
Apr-64	2653.5
May-64	2653
Jun-64	2653.5
Jul-64	2651.5
Aug-64	2649.3
Sep-64	2648.2
Oct-64	2646.5
Dec-64	2652
Jan-65	2652.9
Feb-65	2653.4
Mar-65	2652.4
Apr-65	2650.1
May-65	2652.1
Jun-65	2649.8
Jul-65	2649.7
Aug-65	2648.8
Sep-65	2650.9
Oct-65	2650.8
Nov-65	2651.8
Dec-65	2653
Jan-66	2653.7
Feb-66	2654.6
Mar-66	2654.8
Apr-66	2655.3
May-66	2656.7
Jun-66	2655.2

WATER CONSERVATION – SUMMARY – GROUND WATER

GROUND WATER FLUCTUATION:**Location: Little Rock, South of Palmdale****Ground Surface Elevation: 2777.0 ft above MSL**

STATION	8825
	WS Elev.
Jul-66	2654.5
Aug-66	2652
Sep-66	2650.8
Oct-66	2653.9
Nov-66	2656.7
Dec-66	2657.5
Jan-67	2657.8
Feb-67	2657.2
Mar-67	2658.2
Apr-67	2659.3
May-67	2659.3
Jun-67	2658.6
Jul-67	2657.1
Aug-67	2656.3
Sep-67	2659
Oct-67	2659.5
Nov-67	2661
Jan-68	2662.1
Feb-68	2662.6
Mar-68	2662.7
Apr-68	2662.7
May-68	2662.4
Jun-68	2661.8
Jul-68	2660.2
Aug-68	2657.2
Sep-68	2658.9
Oct-68	2653.5
Nov-68	2658.1
Dec-68	2659.6
Feb-69	2660.9
Mar-69	2661

WATER CONSERVATION – SUMMARY – GROUND WATER

GROUND WATER FLUCTUATION:**Location: Little Rock, South of Palmdale****Ground Surface Elevation: 2777.0 ft above MSL**

STATION	8825
	WS Elev.
Apr-69	2660
May-69	2659.8
Jun-69	2658.6
Jul-69	2660
Aug-69	2659.6
Sep-69	2660.2
Oct-69	2660
Nov-69	2663.6
Dec-69	2664.8
Jan-70	2665.1
Feb-70	2665.2
Mar-70	2665.4
Apr-70	2665.9
May-70	2660.2
Jun-70	2657.8
Jul-70	2662
Aug-70	2660.2
Sep-70	2660.1
Oct-70	2660.3
Nov-70	2663
Dec-70	2664.1
Jan-71	2662.2
Feb-71	2664.1
Mar-71	2663.7
Apr-71	2660.4
May-71	2660.2
Jun-71	2660.1
Jul-71	2659.9
Aug-71	2657.5
Sep-71	2658.6
Oct-71	2660

WATER CONSERVATION – SUMMARY – GROUND WATER

GROUND WATER FLUCTUATION:**Location: Little Rock, South of Palmdale****Ground Surface Elevation: 2777.0 ft above MSL**

STATION	8825
	WS Elev.
Nov-71	2661.1
Dec-71	2660.8
Jan-72	2661.8
Feb-72	2661.2
Mar-72	2661.6
Apr-72	2660.7
May-72	2659.3
Jun-72	2659.6
Jul-72	2657.3
Aug-72	2657.3
Sep-72	2657.5
Oct-72	2657
Nov-72	2658.3
Dec-72	2659.9
Jan-73	2657.5
Feb-73	2658.7
Mar-73	2659.9
Apr-73	2658.5
May-73	2656.4
Jun-73	2655.8
Jul-73	2654
Aug-73	2653.4
Sep-73	2653.9
Oct-73	2655.1
Nov-73	2656.7
Dec-73	2657.2
Feb-74	2658.2
Mar-74	2657.5
Apr-74	2657
May-74	2654.9
Jun-74	2652.9

WATER CONSERVATION – SUMMARY – GROUND WATER

GROUND WATER FLUCTUATION:**Location: Little Rock, South of Palmdale****Ground Surface Elevation: 2777.0 ft above MSL**

STATION	8825
	WS Elev.
Jul-74	2650.7
Aug-74	2651.6
Sep-74	2654.3
Oct-74	2656.5
Nov-74	2657.2
Dec-74	2657.1
Jan-75	2658.6
Feb-75	2659.1
Apr-75	2659.3
May-75	2657.2
Jun-75	2655.8
Jul-75	2655.6
Sep-75	2655.3
Oct-75	2655.2
Nov-75	2658.1
Dec-75	2657.2
Jan-76	2656.9
Feb-76	2658.3
Mar-76	2658.5
Apr-76	2657.7
May-76	2657.1
Jun-76	2655.7
Jul-76	2655.5
Aug-76	2654.1
Sep-76	2655.7
Oct-76	2657.3
Nov-76	2657.2
Dec-76	2658.9
Jan-77	2659.4
Feb-77	2659.5
Mar-77	2659.3

WATER CONSERVATION – SUMMARY – GROUND WATER

GROUND WATER FLUCTUATION:

Location: Little Rock, South of Palmdale

Ground Surface Elevation: 2777.0 ft above MSL

STATION	8825
	WS Elev.
Apr-77	2659
May-77	2659
Jun-77	2657.4
Jul-77	2659.3
Aug-77	2657.3
Sep-77	2656.9
Oct-77	2657.6
Nov-77	2658.2
Dec-77	2659.3
Jan-78	2659.3
Feb-78	2660
Mar-78	2660.1
Apr-78	2660.3
May-78	2658.3
Jun-78	2658.3
Jul-78	2656.9
Aug-78	2656.2
Sep-78	2658.8
Oct-78	2659.3
Jan-79	2661.8
Mar-79	2663.5
Apr-79	2664.4
Jun-79	2660
Sep-79	2658.8
Jan-80	2660.3
May-80	2667.4
Jun-80	2667.8
Jul-80	2668.4
Aug-80	2668.6
Sep-80	2670.4
Oct-80	2671.2

WATER CONSERVATION – SUMMARY – GROUND WATER

GROUND WATER FLUCTUATION:**Location: Little Rock, South of Palmdale****Ground Surface Elevation: 2777.0 ft above MSL**

STATION	8825
	WS Elev.
Nov-80	2671.6
Dec-80	2672.2
Jan-81	2672.6
Feb-81	2672.7
Apr-81	2672.6
May-81	2671.4
Jun-81	2671.2
Jul-81	2670.2
Aug-81	2667.4
Sep-81	2666.4
Oct-81	2669.3
Nov-81	2658.5
Dec-81	2670
Jan-82	2670.1
Feb-82	2669.9
Mar-82	2670.1
Apr-82	2669.1
May-82	2668.8
Jun-82	2668.2
Jul-82	2668.5
Aug-82	2668.2
Sep-82	2668.8
Oct-82	2668.3
Nov-82	2669.2
Dec-82	2669.3
Jan-83	2669.6
Feb-83	2669.6
Apr-83	2670
May-83	2669.7
Jun-83	2670
Jul-83	2670.2

WATER CONSERVATION – SUMMARY – GROUND WATER

GROUND WATER FLUCTUATION:**Location: Little Rock, South of Palmdale****Ground Surface Elevation: 2777.0 ft above MSL**

STATION	8825
	WS Elev.
Aug-83	2671.6
Sep-83	2672
Oct-83	2673.4
Nov-83	2673.8
Dec-83	2674.4
Jan-84	2674.7
Feb-84	2675.2
Mar-84	2675.2
Apr-84	2675
May-84	2674.4
Jun-84	2666.3
Jul-84	2665.8
Aug-84	2666.4
Sep-84	2670.7
Oct-84	2671.5
Nov-84	2672.7
Dec-84	2673.1
Jan-85	2670.9
Feb-85	2671.5
Jun-85	2664.1
Jul-85	2666.9
Aug-85	2666.1
Sep-85	2669.2
Oct-85	2669.5
Nov-85	2669.4
Dec-85	2669.5
Jan-86	2668.8
Feb-86	2669.4
Mar-86	2669.8
Apr-86	2666.3
May-86	2669.3

WATER CONSERVATION – SUMMARY – GROUND WATER

GROUND WATER FLUCTUATION:**Location: Little Rock, South of Palmdale****Ground Surface Elevation: 2777.0 ft above MSL**

STATION	8825
	WS Elev.
Jun-86	2668.9
Jul-86	2665.1
Aug-86	2663
Sep-86	2668
Oct-86	2658.9
Mar-87	2667.5
Apr-87	2659.1
Sep-87	2667
Oct-87	2666.8
Nov-87	2662.8
Dec-87	2670.3
Jan-88	2667.5
Feb-88	2667
Mar-88	2665.9
May-88	2665.3
Jun-88	2665.3
Aug-88	2662.9
Sep-88	2664
Oct-88	2661.3
Jan-89	2661.6
Feb-89	2650.3
Mar-89	2665.8
Apr-89	2666.3
May-89	2665.5
Jun-89	2665.3
Aug-89	2663.3
Sep-89	2665.3
Oct-89	2661.3
Dec-89	2665.2
Jan-90	2661.2
Mar-90	2665.8

WATER CONSERVATION – SUMMARY – GROUND WATER

GROUND WATER FLUCTUATION:**Location: Little Rock, South of Palmdale****Ground Surface Elevation: 2777.0 ft above MSL**

STATION	8825
	WS Elev.
Apr-90	2665
May-90	2665
Jun-90	2665.6
Jul-90	2660.5
Oct-90	2665
Dec-90	2663
Mar-91	2663
Apr-91	2663
May-91	2665
Jun-91	2663
Jul-91	2661
Aug-91	2662
Sep-91	2663
Oct-91	2663
Nov-91	2661
Dec-91	2661
Jan-92	2661
Feb-92	2662
Mar-92	2662
Apr-92	2660
May-92	2660
Jun-92	2659
Jul-92	2661
Aug-92	2661
Sep-92	2661
Oct-92	2663
Nov-92	2663
Dec-92	2663
Feb-93	2663
Mar-93	2665
May-93	2665

WATER CONSERVATION – SUMMARY – GROUND WATER
--

GROUND WATER FLUCTUATION:**Location: Little Rock, South of Palmdale****Ground Surface Elevation: 2777.0 ft above MSL**

STATION	8825
	WS Elev.
Jun-93	2674
Jul-93	2667
Aug-93	2667
Sep-93	2670
Oct-93	2671
Nov-93	2671
Dec-93	2669
Jan-94	2669
Mar-94	2673
May-94	2670
Jul-94	2668
Aug-94	2671
Sep-94	2673
Jan-95	2667
Feb-95	2667
Mar-95	2670
Apr-95	2670
Jun-95	2670
Jul-95	2669
Aug-95	2667
Oct-95	2666
Dec-95	2671
Jan-96	2665
Feb-96	2666
Mar-96	2667
Apr-96	2667
Apr-97	2662
Oct-97	2661
Dec-98	2663
Feb-99	2665
Nov-99	2663

WATER CONSERVATION – SUMMARY – GROUND WATER

GROUND WATER FLUCTUATION:

Location: Little Rock, South of Palmdale

Ground Surface Elevation: 2777.0 ft above MSL

STATION	8825
	WS Elev.
Jun-00	2664
Dec-00	2665
01-May	2661
01-Dec	2659
03-Dec	2656
04-Apr	2653.5
04-Nov	2651
05-Sep	2656

WATER CONSERVATION – SUMMARY – GROUND WATER

GROUND WATER FLUCTUATION:

Location : Antelope Valley, South of Lancaster

Ground Surface Elevation: 2512 ft above MSL

STATION	9962C	9962B	9962D	9974
	WS Elev.	WS Elev.	WS Elev.	WS Elev.
Apr-61	2236.8			
May-61	2237.4			
Jun-61	2235.8			
Jul-61	2232			
Aug-61	2233.3			
Sep-61	2231.6			
Oct-61	2231.7			
Nov-61	2233.4			
Dec-61	2233.5			
Jan-62	2237.1			
Feb-62	2237			
Mar-62	2237.8			
Apr-62	2235.9			
May-62	2233.2			
Jun-62	2231.1			
Jul-62	2229.4			
Aug-62	2227.4			
Sep-62	2226			
Oct-62	2226.5			
Nov-62	2229.7			
Jan-63	2231			
Feb-63	2230.4			
Mar-63	2229.8			
Apr-63	2230.1			
May-63	2227.3			
Jun-63	2225.9			
Jul-63	2223.9			
Aug-63	2221.7			
Sep-63	2221.2			
Oct-63	2222.5			
Nov-63	2224.8			

WATER CONSERVATION – SUMMARY – GROUND WATER

GROUND WATER FLUCTUATION:

Location : Antelope Valley, South of Lancaster

Ground Surface Elevation: 2512 ft above MSL

STATION	9962C	9962B	9962D	9974
	WS Elev.	WS Elev.	WS Elev.	WS Elev.
Dec-63	2225.8			
Jan-64	2225.6			
Feb-64	2227			
Mar-64	2227.4			
Apr-64	2226.4			
May-64	2224.3			
Jun-64	2221.5			
Jul-64	2217.6			
Aug-64	2216.1			
Sep-64	2216.2			
Oct-64	2216.3			
Nov-64	2218.9			
Jan-65	2221.2			
Feb-65	2220.1			
Mar-65	2219.5			
Apr-65	2220.6			
May-65	2218			
Jun-65	2215.4			
Jul-65	2211.6			
Aug-65	2210			
Sep-65	2210.7			
Oct-65	2210			
Nov-65	2212.2			
Dec-65	2215.1			
Jan-66	2215.8			
Feb-66	2217			
Mar-66	2214.7			
Apr-66	2213.3			
May-66	2210.9			
Jun-66	2209.2			
Jul-66	2206.9			

WATER CONSERVATION – SUMMARY – GROUND WATER

GROUND WATER FLUCTUATION:

Location : Antelope Valley, South of Lancaster

Ground Surface Elevation: 2512 ft above MSL

STATION	9962C	9962B	9962D	9974
	WS Elev.	WS Elev.	WS Elev.	WS Elev.
Aug-66	2205.6			
Oct-66	2207.6			
Dec-66	2211.1			
May-67	2198.4			
Aug-67	2208.4			
Oct-67	2203.4			
Nov-67	2204.3			
Dec-67	2206.4			
Jan-68	2207.5			
Feb-68	2207.4			
Mar-68	2206.8			
Apr-68	2205.2			
May-68	2203.7			
Jun-68	2202.2			
Jul-68	2200.5			
Aug-68	2199.7			
Sep-68	2199.6			
Oct-68	2200.3			
Nov-68	2199.4			
Dec-68	2194.6			
Feb-69	2197.7			
Mar-69	2201.6			
Apr-69	2203.2			
May-69	2201.2			
Jun-69	2200.3			
Jul-69	2198.9			
Aug-69	2197			
Sep-69	2198.5			
Oct-69	2197.9			
Nov-69	2198.2			
Dec-69	2200.3			

WATER CONSERVATION – SUMMARY – GROUND WATER

GROUND WATER FLUCTUATION:

Location : Antelope Valley, South of Lancaster

Ground Surface Elevation: 2512 ft above MSL

STATION	9962C	9962B	9962D	9974
	WS Elev.	WS Elev.	WS Elev.	WS Elev.
Jan-70	2200.8			
Feb-70	2200.9			
Mar-70	2201.1			
Apr-70	2199.5			
May-70	2199.1			
Jun-70	2197.2			
Jul-70	2195.2			
Aug-70	2195			
Sep-70	2194.2			
Oct-70	2194.5			
Nov-70	2195.3			
Dec-70	2191.7			
Jan-71	2196.6			
Feb-71	2197.7			
Mar-71	2197.1			
Apr-71	2195.6			
May-71	2192.9			
Jun-71	2192.2			
Jul-71	2190.6			
Aug-71	2189.5			
Sep-71	2188.8			
Oct-71	2188.8			
Nov-71	2189.6			
Dec-71	2189.6			
Jan-72	2190.9			
Feb-72	2191			
Mar-72	2190.6			
Apr-72	2189.2			
May-72	2187			
Jun-72	2187.8			
Jul-72	2185.6			

WATER CONSERVATION – SUMMARY – GROUND WATER

GROUND WATER FLUCTUATION:

Location : Antelope Valley, South of Lancaster

Ground Surface Elevation: 2512 ft above MSL

STATION	9962C	9962B	9962D	9974
	WS Elev.	WS Elev.	WS Elev.	WS Elev.
Aug-72	2184.4			
Sep-72	2184.2			
Oct-72	2184.6			
Nov-72	2185.4			
Dec-72	2187.2			
Jan-73	2188.1			
Feb-73	2188.6			
Mar-73	2189.3			
Apr-73		2187		
May-73		2182.4		
Jun-73		2183.9		
Jul-73		2182.5		
Aug-73		2180.3		
Sep-73		2178.6		
Oct-73		2178.7		
Nov-73		2180.4		
Dec-73		2181.3		
Jan-74		2182.1		
Feb-74		2183.2		
Mar-74		2182.2		
Apr-74		2181.4		
May-74		2180.5		
Jun-74		2178.3		
Jul-74		2176.2		
Aug-74		2169.3		
Sep-74		2174.6		
Nov-74		2168	2176.9	
Dec-74			2177.1	
Jan-75			2177.6	
Feb-75			2177.7	
Mar-75			2177.6	

WATER CONSERVATION – SUMMARY – GROUND WATER

GROUND WATER FLUCTUATION:

Location : Antelope Valley, South of Lancaster

Ground Surface Elevation: 2512 ft above MSL

STATION	9962C	9962B	9962D	9974
	WS Elev.	WS Elev.	WS Elev.	WS Elev.
Apr-75			2176	2180
May-75			2176.3	2179
Jun-75			2174.9	
Jul-75			2174.4	
Aug-75			2173	2171.5
Sep-75			2172.4	2172.3
Oct-75			2172	
Nov-75			2169.2	
Dec-75			2168.7	2159
Jan-76			2168.7	2173.4
Feb-76			2173	2171
Mar-76				2161
Apr-76			2172	
May-76			2167.3	2170.8
Jun-76			2170.9	2168.5
Jul-76			2169.8	2169.5
Aug-76			2169.4	2166
Sep-76			2168.9	2165.1
Oct-76			2168.9	2167.2
Nov-76			2168.8	2168.5
Dec-76			2169.9	2168.2
Jan-77			2170.2	2170.2
Feb-77			2170	2170.1
Mar-77			2170	2169.5
May-77			2169	2167
Jun-77			2168.7	2166
Jul-77			2167.7	2164
Aug-77			2163.7	2163.2
Sep-77			2162	2162.5
Oct-77			2161	2162.6
Nov-77				2164.6

WATER CONSERVATION – SUMMARY – GROUND WATER

GROUND WATER FLUCTUATION:

Location : Antelope Valley, South of Lancaster

Ground Surface Elevation: 2512 ft above MSL

STATION	9962C	9962B	9962D	9974
	WS Elev.	WS Elev.	WS Elev.	WS Elev.
Dec-77				2164.3
Jan-78				2164.1
Feb-78				2165
Mar-78				2165.1
Apr-78				2165.1
May-78				2165
Jun-78				2161.8
Jul-78				2161.7
Aug-78				2160.9
Sep-78				2161.9
Oct-78				2161.5
Jan-79				2164.5
Mar-79				2165.1
Apr-79				2164.3
Jun-79				2161.4
Sep-79				2159.6
Mar-80				2162.9
Jun-80				2160.8
Sep-80				2158.7
Oct-80				2158.4
Nov-80				2159.3
Dec-80				2157.1
Jan-81				2156
Feb-81				2154.4
Apr-81				2160.7
May-81				2156.8
Jun-81				2151.2
Jul-81				2149.6
Aug-81				2152.3
Sep-81				2157.1
Oct-81				2158

WATER CONSERVATION – SUMMARY – GROUND WATER

GROUND WATER FLUCTUATION:

Location : Antelope Valley, South of Lancaster

Ground Surface Elevation: 2512 ft above MSL

STATION	9962C	9962B	9962D	9974
	WS Elev.	WS Elev.	WS Elev.	WS Elev.
Nov-81				2158.6
Dec-81				2159
Jan-82				2159.3
Feb-82				2158.3
Mar-82				2158.2
Apr-82				2154.7
May-82				2157.1
Jun-82				2153.7
Jul-82				2154.1
Aug-82				2146.8
Sep-82				2153
Nov-82				2152.6
Dec-82				2154.7
Jan-83				2153.8
Feb-83				2157
Apr-83				2156
May-83				2153.1
Jul-83				2145.1
Aug-83				2150.8
Sep-83				2150.4
Oct-83				2151.3
Nov-83				2151.5
Jan-84				2152.1
Feb-84				2151.4
Apr-84				2150.2
Jul-84				2147.7
Aug-84				2147.4
Sep-84				2147.6
Oct-84				2147
Nov-84				2147.3
Jan-85				2146.7

WATER CONSERVATION – SUMMARY – GROUND WATER

GROUND WATER FLUCTUATION:**Location : Antelope Valley, South of Lancaster****Ground Surface Elevation: 2512 ft above MSL**

STATION	9962C	9962B	9962D	9974
	WS Elev.	WS Elev.	WS Elev.	WS Elev.
Feb-85				2149.1
Jun-85				2146.8
Jul-85				2144.9
Sep-85				2146
Oct-85				2146.2
Nov-85				2147
Jan-86				2146.9
Feb-86				2149
Mar-86				2147.7
Apr-86				2147.8
May-86				2146.7
Jun-86				2144.7
Aug-86				2144.1
Sep-86				2143
Oct-86				2142.4
Feb-87				2146.5
Mar-87				2146.3
Apr-87				2144
Mar-90				2144
Apr-90				2145
May-90				2148
Jun-90				2148
Jul-90				2148
Aug-90				2147
Oct-90				2149
Dec-90				2145
Apr-91				2149
May-91				2145
Jun-91				2149
Jul-91				2137
Aug-91				2151

WATER CONSERVATION – SUMMARY – GROUND WATER

GROUND WATER FLUCTUATION:

Location : Antelope Valley, South of Lancaster

Ground Surface Elevation: 2512 ft above MSL

STATION	9962C	9962B	9962D	9974
	WS Elev.	WS Elev.	WS Elev.	WS Elev.
Sep-91				2153
Oct-91				2147
Nov-91				2149
Jan-92				2137
Feb-92				2147
Mar-92				2147
Apr-92				2142
Jun-92				2145
Jul-92				2145
Aug-92				2149
Oct-92				2147
Nov-92				2145
Dec-92				2146
Jan-93				2146
Feb-93				2147
Mar-93				2153
May-93				2147
Jun-93				2151
Jul-93				2147
Aug-93				2147
Sep-93				2149
Oct-93				2149
Nov-93				2149
Dec-93				2149
Jan-94				2147
Mar-94				2149
May-94				2147
Jul-94				2147
Aug-94				2149
Sep-94				2146
Feb-95				2145

WATER CONSERVATION – SUMMARY – GROUND WATER
--

GROUND WATER FLUCTUATION:**Location : Antelope Valley, South of Lancaster****Ground Surface Elevation: 2512 ft above MSL**

STATION	9962C	9962B	9962D	9974
	WS Elev.	WS Elev.	WS Elev.	WS Elev.
Mar-95				2149
Apr-95				2149
Jun-95				2148
Jul-95				2151
Oct-97				2253
Dec-98				2278
Apr-99				2281
Nov-99				2263
Jun-00				2258
Dec-00				2275
01-May				2261
01-Dec				2281
02-May				2277
02-Dec				2260
03-Dec				2279
04-Apr				2255.8
04-Nov				2254
05-Mar				2258
05-Sep				2263

APPENDIX M

HYDROLOGIC REPORT 2005 – 2006

DEBRIS BASIN – YEARLY DEBRIS PRODUCTION SUMMARY

ACTIVE BASINS

DEBRIS BASIN - YEARLY DEBRIS PRODUCTION SUMMARY
--

ALISO

Season	CY Production	Cumulative of CY Production
1969-70	14712	14712
1970-71	8493	23205
1971-72	0	23205
1972-73	19106	42311
1973-74	4717	47028
1974-75	6500	53528
1975-76	0	53528
1976-77	1075	54603
1977-78	26877	81480
1978-79	7731	89211
1979-80	18399	107610
1980-81	2115	109725
1981-82	3476	113201
1982-83	30739	143940
1983-84	0	143940
1984-85	0	143940
1985-86	2495	146435
1986-87	3007	149442
1987-88	0	149442
1988-89	0	149442
1989-90	3545	152987
1990-91	0	152987
1991-92	32299	185286
1992-93	19936	205222
1993-94	1000	206222
1994-95	52206	258428
1995-96	0	258428
1996-97	300	258728
1997-98	0	258728
1998-99	0	258728
1999-00	0	258728
2000-01	2520	261248
2001-02	0	261248
2002-03	0	261248
2003-04	0	261248
2004-05	0	261248
2005-06	38709	299957

DEBRIS BASIN - YEARLY DEBRIS PRODUCTION SUMMARY
--

ARBOR DELL

Season	CY Production	Cumulative of CY Production
1970-71	0	0
1971-72	N	N
1972-73	N	N
1973-74	0	0
1974-75	0	0
1975-76	0	N
1976-77	0	0
1977-78	561	561
1978-79	0	561
1979-80	836	1397
1980-81	0	1397
1981-82	0	1397
1982-83	0	1397
1983-84	0	1397
1984-85	0	1397
1985-86	0	1397
1986-87	0	1397
1987-88	0	1397
1988-89	0	1397
1989-90	0	1397
1990-91	0	1397
1991-92	448	1845
1992-93	44	1889
1993-94	0	1889
1994-95	40	1929
1995-96	0	1929
1996-97	0	1929
1997-98	0	1929
1998-99	0	1929
1999-00	4294	6223
2000-01	2380	8603
2001-02	0	8603
2002-03	0	8603
2003-04	0	8603
2004-05	0	8603
2005-06	0	8603

DEBRIS BASIN - YEARLY DEBRIS PRODUCTION SUMMARY**AUBURN**

Season	CY Production	Cumulative of CY Production
1953-54	0	0
1954-55	0	0
1955-56	1131	1131
1956-57	0	1131
1957-58	1625	2756
1958-59	1178	3934
1959-60	0	3934
1960-61	0	3934
1961-62	24164	28098
1962-63	2815	30913
1963-64	0	30913
1964-65	0	30913
1965-66	5220	36133
1966-67	2831	38964
1967-68	0	38964
1968-69	8592	47556
1969-70	0	47556
1970-71	0	47556
1971-72	0	47556
1972-73	1084	48640
1973-74	0	48640
1974-75	0	48640
1975-76	37	48677
1976-77	0	48677
1977-78	965	49642
1978-79	15098	64740
1979-80	19712	84452
1980-81	335	84787
1981-82	645	85432
1982-83	2008	87440
1983-84	0	87440
1984-85	46	87486
1985-86	0	87486
1986-87	13	87499
1987-88	0	87499
1988-89	0	87499
1989-90	0	87499
1990-91	0	87499
1991-92	1523	89022
1992-93	0	89022
1993-94	11786	100808
1994-95	1117	101925
1995-96	210	102135
1996-97	0	102135
1997-98	0	102135
1998-99	0	102135
1999-00	0	102135
2000-01	3160	105295
2001-02	0	105295
2002-03	0	105295
2003-04	0	105295
2004-05	0	105295
2005-06	0	105295

DEBRIS BASIN - YEARLY DEBRIS PRODUCTION SUMMARY**BAILEY**

Season	CY Production	Cumulative of CY Production
1944-45	Unknown	0
1945-46	780	780
1946-47	0	780
1947-48	0	780
1948-49	0	780
1949-50	0	780
1950-51	0	780
1951-52	276	1056
1952-53	0	1056
1953-54	35904	36960
1954-55	0	36960
1955-56	2950	39910
1956-57	0	39910
1957-58	1650	41560
1958-59	8856	50416
1959-60	0	50416
1960-61	2164	52580
1961-62	10102	62682
1962-63	1480	64162
1963-64	7268	71430
1964-65	0	71430
1965-66	0	71430
1966-67	619	72049
1967-68	0	72049
1968-69	31917	103966
1969-70	1703	105669
1970-71	0	105669
1971-72	0	105669
1972-73	363	106032
1973-74	0	106032
1974-75	0	106032
1975-76	0	106032
1976-77	0	106032
1977-78	6460	112492
1978-79	26985	139477
1979-80	116309	255786
1980-81	665	256451
1981-82	0	256451
1982-83	6510	262961
1983-84	0	262961
1984-85	0	262961
1985-86	0	262961
1986-87	1323	264284
1987-88	0	264284
1988-89	0	264284
1989-90	0	264284
1990-91	0	264284
1991-92	7314	271598
1992-93	2167	273765
1993-94	31324	305089
1994-95	12212	317301

DEBRIS BASIN - YEARLY DEBRIS PRODUCTION SUMMARY**BAILEY**

Season	CY Production	Cumulative of CY Production
1995-96	3240	320541
1996-97	0	320541
1997-98	585	321126
1998-99	0	321126
1999-00	0	321126
2000-01	0	321126
2001-02	0	321126
2002-03	0	321126
2003-04	0	321126
2004-05	0	321126
2005-06	0	321126

DEBRIS BASIN - YEARLY DEBRIS PRODUCTION SUMMARY
--

BEATTY

Season	CY Production	Cumulative of CY Production
1970-71	N	N
1971-72	N	N
1972-73	1824	1824
1973-74	0	1824
1974-75	0	1824
1975-76	0	1824
1976-77	0	1824
1977-78	1757	3581
1978-79	0	3581
1979-80	7639	11220
1980-81	419	11639
1981-82	256	11895
1982-83	1177	13072
1983-84	0	13072
1984-85	0	13072
1985-86	215	13287
1986-87	0	13287
1987-88	0	13287
1988-89	0	13287
1989-90	0	13287
1990-91	0	13287
1991-92	572	13859
1992-93	0	13859
1993-94	141	14000
1994-95	0	14000
1995-96	50	14050
1996-97	0	14050
1997-98	0	14050
1998-99	0	14050
1999-00	0	14050
2000-01	60	14110
2001-02	0	14110
2002-03	0	14110
2003-04	0	14110
2004-05	0	14110
2005-06	0	14110

DEBRIS BASIN - YEARLY DEBRIS PRODUCTION SUMMARY**BIG DALTON**

Season	CY Production	Cumulative of CY Production
1959-60	Negligible	0
1960-61	47550	47550
1961-62	130374	177924
1962-63	10125	188049
1963-64	0	188049
1964-65	0	188049
1965-66	23875	211924
1966-67	94151	306075
1967-68	9981	316056
1968-69	296680	612736
1969-70	8323	621059
1970-71	3800	624859
1971-72	7635	632494
1972-73	5137	637631
1973-74	5126	642757
1974-75	0	642757
1975-76	0	642757
1976-77	0	642757
1977-78	81352	724109
1978-79	0	724109
1979-80	101685	825794
1980-81	0	825794
1981-82	0	825794
1982-83	11009	836803
1983-84	0	836803
1984-85	0	836803
1985-86	0	836803
1986-87	0	836803
1987-88	0	836803
1988-89	0	836803
1989-90	0	836803
1990-91	0	836803
1991-92	0	836803
1992-93	33511	870314
1993-94	0	870314
1994-95	0	870314
1995-96	0	870314
1996-97	0	870314
1997-98	0	870314
1998-99	0	870314
1999-00	0	870314
2000-01	0	870314
2001-02	0	870314
2002-03	76756	947070
2003-04	196624	1143694
2004-05	64758	1208452
2005-06	0	1208452

DEBRIS BASIN - YEARLY DEBRIS PRODUCTION SUMMARY**BIGBRIAR**

Season	CY Production	Cumulative of CY Production
1980-81	160	160
1981-82	13	173
1982-83	249	422
1983-84	737	1159
1984-85	0	1159
1985-86	190	1349
1986-87	0	1349
1987-88	623	1972
1988-89	0	1972
1989-90	0	1972
1990-91	0	1972
1991-92	448	2420
1992-93	866	3286
1993-94	0	3286
1994-95	822	4108
1995-96	0	4108
1996-97	0	4108
1997-98	150	4258
1998-99	0	4258
1999-00	0	4258
2000-01	0	4258
2001-02	0	4258
2002-03	0	4258
2003-04	0	4258
2004-05	710	4968
2005-06	0	4968

DEBRIS BASIN - YEARLY DEBRIS PRODUCTION SUMMARY**BLANCHARD**

Season	CY Production	Cumulative of CY Production
1967-68	0	0
1968-69	15905	15905
1969-70	76	15981
1970-71	514	16495
1971-72	0	16495
1972-73	0	16495
1973-74	0	16495
1974-75	0	16495
1975-76	3234	19729
1976-77	3353	23082
1977-78	36593	59675
1978-79	191	59866
1979-80	7226	67092
1980-81	0	67092
1981-82	360	67452
1982-83	0	67452
1983-84	0	67452
1984-85	0	67452
1985-86	0	67452
1986-87	0	67452
1987-88	564	68016
1988-89	0	68016
1989-90	0	68016
1990-91	0	68016
1991-92	2685	70701
1992-93	7487	78188
1993-94	0	78188
1994-95	0	78188
1995-96	0	78188
1996-97	3	78191
1997-98	400	78591
1998-99	0	78591
1999-00	0	78591
2000-01	1850	80441
2001-02	0	80441
2002-03	0	80441
2003-04	0	80441
2004-05	0	80441
2005-06	0	80441

DEBRIS BASIN - YEARLY DEBRIS PRODUCTION SUMMARY
--

BLUE GUM

Season	CY Production	Cumulative of CY Production
1967-68	0	0
1968-69	3314	3314
1969-70	0	3314
1970-71	0	3314
1971-72	0	3314
1972-73	1086	4400
1973-74	0	4400
1974-75	0	4400
1975-76	5944	10344
1976-77	3934	14278
1977-78	19123	33401
1978-79	483	33884
1979-80	2543	36427
1980-81	0	36427
1981-82	0	36427
1982-83	1143	37570
1983-84	0	37570
1984-85	0	37570
1985-86	0	37570
1986-87	0	37570
1987-88	0	37570
1988-89	0	37570
1989-90	0	37570
1990-91	0	37570
1991-92	774	38344
1992-93	20	38364
1993-94	0	38364
1994-95	3253	41617
1995-96	0	41617
1996-97	0	41617
1997-98	740	42357
1998-99	0	42357
1999-00	0	42357
2000-01	0	42357
2001-02	0	42357
2002-03	0	42357
2003-04	0	42357
2004-05	0	42357
2005-06	0	42357

DEBRIS BASIN - YEARLY DEBRIS PRODUCTION SUMMARY
--

BRACE

Season	CY Production	Cumulative of CY Production
1970-71	0	0
1971-72	N	0
1972-73	2136	2136
1973-74	531	2667
1974-75	469	3136
1975-76	0	3136
1976-77	0	3136
1977-78	11971	15107
1978-79	922	16029
1979-80	2958	18987
1980-81	10891	29878
1981-82	2030	31908
1982-83	3524	35432
1983-84	0	35432
1984-85	0	35432
1985-86	0	35432
1986-87	0	35432
1987-88	162	35594
1988-89	0	35594
1989-90	0	35594
1990-91	0	35594
1991-92	4234	39828
1992-93	0	39828
1993-94	0	39828
1994-95	1900	41728
1995-96	0	41728
1996-97	0	41728
1997-98	0	41728
1998-99	0	41728
1999-00	0	41728
2000-01	900	42628
2001-02	0	42628
2002-03	0	42628
2003-04	0	42628
2004-05	0	42628
2005-06	0	42628

DEBRIS BASIN - YEARLY DEBRIS PRODUCTION SUMMARY**BRACEMAR**

Season	CY Production	Cumulative of CY Production
1980-81	283	283
1981-82	0	283
1982-83	0	283
1983-84	0	283
1984-85	0	283
1985-86	0	283
1986-87	0	283
1987-88	0	283
1988-89	0	283
1989-90	0	283
1990-91	0	283
1991-92	0	283
1992-93	0	283
1993-94	0	283
1994-95	393	676
1995-96	0	676
1996-97	0	676
1997-98	0	676
1998-99	0	676
1999-00	0	676
2000-01	0	676
2001-02	0	676
2002-03	0	676
2003-04	0	676
2004-05	0	676
2005-06	0	676

DEBRIS BASIN - YEARLY DEBRIS PRODUCTION SUMMARY
--

BRADBURY

Season	CY Production	Cumulative of CY Production
1955-56	6510	6510
1956-57	0	6510
1957-58	3156	9666
1958-59	33272	42938
1959-60	3569	46507
1960-61	0	46507
1961-62	12822	59329
1962-63	0	59329
1963-64	0	59329
1964-65	0	59329
1965-66	23723	83052
1966-67	4715	87767
1967-68	1423	89190
1968-69	70219	159409
1969-70	7979	167388
1970-71	948	168336
1971-72	0	168336
1972-73	6960	175296
1973-74	0	175296
1974-75	0	175296
1975-76	0	175296
1976-77	0	175296
1977-78	8245	183541
1978-79	0	183541
1979-80	17307	200848
1980-81	42596	243444
1981-82	11654	255098
1982-83	12332	267430
1983-84	0	267430
1984-85	0	267430
1985-86	0	267430
1986-87	0	267430
1987-88	0	267430
1988-89	0	267430
1989-90	0	267430
1990-91	0	267430
1991-92	832	268262
1992-93	0	268262
1993-94	602	268864
1994-95	5283	274147
1995-96	20	274167
1996-97	0	274167
1997-98	0	274167
1998-99	0	274167
1999-00	0	274167
2000-01	0	274167
2001-02	0	274167
2002-03	0	274167
2003-04	0	274167
2004-05	0	274167

DEBRIS BASIN - YEARLY DEBRIS PRODUCTION SUMMARY

BRADBURY

Season	CY Production	Cumulative of CY Production
2005-06	0	274167

DEBRIS BASIN - YEARLY DEBRIS PRODUCTION SUMMARY
--

BRAND

Season	CY Production	Cumulative of CY Production
1938-39	0	0
1939-40	4827	4827
1940-41	1055	5882
1941-42	0	5882
1942-43	3100	8982
1943-44	319	9301
1944-45	0	9301
1945-46	0	9301
1946-47	143	9444
1947-48	0	9444
1948-49	0	9444
1949-50	0	9444
1950-51	0	9444
1951-52	0	9444
1952-53	5310	14754
1953-54	0	14754
1954-55	0	14754
1955-56	0	14754
1956-57	0	14754
1957-58	0	14754
1958-59	1418	16172
1959-60	0	16172
1960-61	103	16275
1961-62	2476	18751
1962-63	0	18751
1963-64	9932	28683
1964-65	17811	46494
1965-66	2312	48806
1966-67	10856	59662
1967-68	2022	61684
1968-69	39413	101097
1969-70	0	101097
1970-71	0	101097
1971-72	0	101097
1972-73	7051	108148
1973-74	0	108148
1974-75	0	108148
1975-76	0	108148
1976-77	0	108148
1977-78	53134	161282
1978-79	763	162045
1979-80	22707	184752
1980-81	2099	186851
1981-82	3407	190258
1982-83	11024	201282
1983-84	0	201282
1984-85	0	201282
1985-86	1651	202933
1986-87	0	202933
1987-88	0	202933
1988-89	0	202933

DEBRIS BASIN - YEARLY DEBRIS PRODUCTION SUMMARY**BRAND**

Season	CY Production	Cumulative of CY Production
1989-90	0	202933
1990-91	0	202933
1991-92	17737	220670
1992-93	8132	228802
1993-94	2049	230851
1994-95	200	231051
1995-96	0	231051
1996-97	0	231051
1997-98	6450	237501
1998-99	0	237501
1999-00	0	237501
2000-01	0	237501
2001-02	5670	243171
2002-03	109195	352366
2003-04	62176	414542
2004-05	72576	487118
2005-06	0	487118

DEBRIS BASIN - YEARLY DEBRIS PRODUCTION SUMMARY**BUENA VISTA**

Season	CY Production	Cumulative of CY Production
1985-86	0	0
1986-87	38	38
1987-88	0	38
1988-89	0	38
1989-90	0	38
1990-91	0	38
1991-92	0	38
1992-93	402	440
1993-94	0	440
1994-95	0	440
1995-96	0	440
1996-97	0	440
1997-98	50	490
1998-99	0	490
1999-00	0	490
2000-01	0	490
2001-02	0	490
2002-03	0	490
2003-04	0	490
2004-05	0	490
2005-06	0	490

DEBRIS BASIN - YEARLY DEBRIS PRODUCTION SUMMARY
--

CARRIAGE HOUSE

Season	CY Production	Cumulative of CY Production
1970-71	N	N
1971-72	N	N
1972-73	176	176
1973-74	0	176
1974-75	0	176
1975-76	0	176
1976-77	0	176
1977-78	0	176
1978-79	803	979
1979-80	3459	4438
1980-81	0	4438
1981-82	0	4438
1982-83	0	4438
1983-84	0	4438
1984-85	0	4438
1985-86	0	4438
1986-87	0	4438
1987-88	0	4438
1988-89	0	4438
1989-90	0	4438
1990-91	0	4438
1991-92	95	4533
1992-93	105	4638
1993-94	2236	6874
1994-95	668	7542
1995-96	100	7642
1996-97	0	7642
1997-98	0	7642
1998-99	0	7642
1999-00	0	7642
2000-01	83	7725
2001-02	0	7725
2002-03	0	7725
2003-04	0	7725
2004-05	0	7725
2005-06	0	7725

DEBRIS BASIN - YEARLY DEBRIS PRODUCTION SUMMARY**CARTER**

Season	CY Production	Cumulative of CY Production
1953-54	Negligible	0
1954-55	0	0
1955-56	1390	1390
1956-57	0	1390
1957-58	740	2130
1958-59	420	2550
1959-60	0	2550
1960-61	0	2550
1961-62	11165	13715
1962-63	1594	15309
1963-64	695	16004
1964-65	0	16004
1965-66	0	16004
1966-67	1300	17304
1967-68	0	17304
1968-69	2700	20004
1969-70	0	20004
1970-71	0	20004
1971-72	0	20004
1972-73	0	20004
1973-74	0	20004
1974-75	0	20004
1975-76	0	20004
1976-77	0	20004
1977-78	400	20404
1978-79	3125	23529
1979-80	12559	36088
1980-81	224	36312
1981-82	0	36312
1982-83	700	37012
1983-84	300	37312
1984-85	0	37312
1985-86	0	37312
1986-87	0	37312
1987-88	0	37312
1988-89	0	37312
1989-90	0	37312
1990-91	0	37312
1991-92	258	37570
1992-93	448	38018
1993-94	3370	41388
1994-95	1865	43253
1995-96	135	43388
1996-97	0	43388
1997-98	111	43499
1998-99	0	43499
1999-00	0	43499
2000-01	0	43499
2001-02	0	43499
2002-03	0	43499
2003-04	0	43499

DEBRIS BASIN - YEARLY DEBRIS PRODUCTION SUMMARY**CARTER**

Season	CY Production	Cumulative of CY Production
2004-05	0	43499
2005-06	0	43499

DEBRIS BASIN - YEARLY DEBRIS PRODUCTION SUMMARY**CASSARA**

Season	CY Production	Cumulative of CY Production
1975-76	0	0
1976-77	0	0
1977-78	10301	10301
1978-79	6498	16799
1979-80	3915	20714
1980-81	0	20714
1981-82	228	20942
1982-83	2901	23843
1983-84	0	23843
1984-85	256	24099
1985-86	0	24099
1986-87	0	24099
1987-88	1484	25583
1988-89	0	25583
1989-90	0	25583
1990-91	0	25583
1991-92	3215	28798
1992-93	689	29487
1993-94	0	29487
1994-95	200	29687
1995-96	0	29687
1996-97	0	29687
1997-98	150	29837
1998-99	0	29837
1999-00	0	29837
2000-01	2810	32647
2001-02	0	32647
2002-03	0	32647
2003-04	0	32647
2004-05	0	32647
2005-06	0	32647

DEBRIS BASIN - YEARLY DEBRIS PRODUCTION SUMMARY**CHAMBERLAIN**

Season	CY Production	Cumulative of CY Production
1974-75	308	308
1975-76	0	308
1976-77	0	308
1977-78	168	476
1978-79	0	476
1979-80	0	476
1980-81	0	476
1981-82	0	476
1982-83	0	476
1983-84	0	476
1984-85	0	476
1985-86	0	476
1986-87	80	556
1987-88	0	556
1988-89	0	556
1989-90	0	556
1990-91	0	556
1991-92	0	556
1992-93	163	719
1993-94	0	719
1994-95	437	1156
1995-96	0	1156
1996-97	0	1156
1997-98	0	1156
1998-99	0	1156
1999-00	0	1156
2000-01	0	1156
2001-02	0	1156
2002-03	0	1156
2003-04	0	1156
2004-05	0	1156
2005-06	0	1156

DEBRIS BASIN - YEARLY DEBRIS PRODUCTION SUMMARY**CHANDLER**

Season	CY Production	Cumulative of CY Production
1995-96	0	0
1996-97	0	0
1997-98	0	0
1998-99	0	0
1999-00	0	0
2000-01	200	200
2001-02	0	200
2002-03	0	200
2003-04	0	200
2004-05	0	200
2005-06	0	200

DEBRIS BASIN - YEARLY DEBRIS PRODUCTION SUMMARY
--

CHILDS

Season	CY Production	Cumulative of CY Production
1963-64	0	0
1964-65	8231	8231
1965-66	5384	13615
1966-67	2755	16370
1967-68	0	16370
1968-69	5549	21919
1969-70	138	22057
1970-71	0	22057
1971-72	0	22057
1972-73	2150	24207
1973-74	0	24207
1974-75	0	24207
1975-76	0	24207
1976-77	0	24207
1977-78	4301	28508
1978-79	280	28788
1979-80	2395	31183
1980-81	10143	41326
1981-82	1299	42625
1982-83	2228	44853
1983-84	367	45220
1984-85	0	45220
1985-86	20	45240
1986-87	0	45240
1987-88	0	45240
1988-89	0	45240
1989-90	0	45240
1990-91	0	45240
1991-92	0	45240
1992-93	1298	46538
1993-94	0	46538
1994-95	0	46538
1995-96	0	46538
1996-97	0	46538
1997-98	400	46938
1998-99	0	46938
1999-00	0	46938
2000-01	500	47438
2001-02	0	47438
2002-03	30154	77592
2003-04	18512	96104
2004-05	5848	101952
2005-06	0	101952

DEBRIS BASIN - YEARLY DEBRIS PRODUCTION SUMMARY
--

CLOUD

Season	CY Production	Cumulative of CY Production
1971-72	0	0
1972-73	N	N
1973-74	0	0
1974-75	0	0
1975-76	661	661
1976-77	0	661
1977-78	971	1632
1978-79	889	2521
1979-80	211	2732
1980-81	59	2791
1981-82	0	2791
1982-83	444	3235
1983-84	0	3235
1984-85	0	3235
1985-86	30	3265
1986-87	0	3265
1987-88	0	3265
1988-89	0	3265
1989-90	0	3265
1990-91	0	3265
1991-92	59	3324
1992-93	40	3364
1993-94	0	3364
1994-95	870	4234
1995-96	0	4234
1996-97	0	4234
1997-98	0	4234
1998-99	0	4234
1999-00	0	4234
2000-01	0	4234
2001-02	0	4234
2002-03	0	4234
2003-04	0	4234
2004-05	0	4234
2005-06	0	4234

DEBRIS BASIN - YEARLY DEBRIS PRODUCTION SUMMARY
--

CLOUDCROFT

Season	CY Production	Cumulative of CY Production
1973-74	6060	6060
1974-75	1329	7389
1975-76	0	7389
1976-77	0	7389
1977-78	653	8042
1978-79	0	8042
1979-80	2292	10334
1980-81	1956	12290
1981-82	0	12290
1982-83	0	12290
1983-84	0	12290
1984-85	0	12290
1985-86	0	12290
1986-87	0	12290
1987-88	0	12290
1988-89	0	12290
1989-90	0	12290
1990-91	0	12290
1991-92	0	12290
1992-93	82	12372
1993-94	0	12372
1994-95	1620	13992
1995-96	0	13992
1996-97	0	13992
1997-98	0	13992
1998-99	0	13992
1999-00	0	13992
2000-01	0	13992
2001-02	0	13992
2002-03	0	13992
2003-04	0	13992
2004-05	0	13992
2005-06	0	13992

DEBRIS BASIN - YEARLY DEBRIS PRODUCTION SUMMARY
--

COOKS M-1A

Season	CY Production	Cumulative of CY Production
1975-76	11234	11234
1976-77	3667	14901
1977-78	8333	23234
1978-79	2318	25552
1979-80	12747	38299
1980-81	0	38299
1981-82	0	38299
1982-83	15641	53940
1983-84	0	53940
1984-85	0	53940
1985-86	0	53940
1986-87	32	53972
1987-88	0	53972
1988-89	0	53972
1989-90	0	53972
1990-91	0	53972
1991-92	1975	55947
1992-93	0	55947
1993-94	0	55947
1994-95	0	55947
1995-96	0	55947
1996-97	0	55947
1997-98	0	55947
1998-99	0	55947
1999-00	0	55947
2000-01	0	55947
2001-02	0	55947
2002-03	0	55947
2003-04	0	55947
2004-05	0	55947
2005-06	0	55947

DEBRIS BASIN - YEARLY DEBRIS PRODUCTION SUMMARY**COOKS**

Season	CY Production	Cumulative of CY Production
1951-52	20653	20653
1952-53	0	20653
1953-54	0	20653
1954-55	2244	22897
1955-56	0	22897
1956-57	0	22897
1957-58	232	23129
1958-59	751	23880
1959-60	0	23880
1960-61	0	23880
1961-62	987	24867
1962-63	0	24867
1963-64	0	24867
1964-65	0	24867
1965-66	6412	31279
1966-67	0	31279
1967-68	1432	32711
1968-69	18701	51412
1969-70	727	52139
1970-71	0	52139
1971-72	0	52139
1972-73	4066	56205
1973-74	0	56205
1974-75	0	56205
1975-76	0	56205
1976-77	48	56253
1977-78	52902	109155
1978-79	0	109155
1979-80	3351	112506
1980-81	0	112506
1981-82	0	112506
1982-83	0	112506
1983-84	0	112506
1984-85	0	112506
1985-86	855	113361
1986-87	53092	166453
1987-88	592	167045
1988-89	325	167370
1989-90	0	167370
1990-91	0	167370
1991-92	8608	175978
1992-93	149	176127
1993-94	0	176127
1994-95	1023	177150
1995-96	0	177150
1996-97	0	177150
1997-98	400	177550
1998-99	0	177550
1999-00	0	177550
2000-01	840	178390
2001-02	0	178390

DEBRIS BASIN - YEARLY DEBRIS PRODUCTION SUMMARY**COOKS**

Season	CY Production	Cumulative of CY Production
2002-03	0	178390
2003-04	0	178390
2004-05	0	178390
2005-06	0	178390

DEBRIS BASIN - YEARLY DEBRIS PRODUCTION SUMMARY**CRESCENT GLEN**

Season	CY Production	Cumulative of CY Production
2000-01	0	0
2001-02	0	0
2002-03	0	1148
2003-04	0	1148
2004-05	0	1148
2005-06	0	1148

DEBRIS BASIN - YEARLY DEBRIS PRODUCTION SUMMARY**CRESTVIEW**

Season	CY Production	Cumulative of CY Production
1985-86	0	0
1986-87	0	0
1987-88	0	0
1988-89	0	0
1989-90	0	0
1990-91	0	0
1991-92	60	60
1992-93	0	60
1993-94	0	60
1994-95	0	60
1995-96	0	60
1996-97	0	60
1997-98	0	60
1998-99	0	60
1999-00	0	60
2000-01	0	60
2001-02	0	60
2002-03	0	60
2003-04	0	60
2004-05	0	60
2005-06	0	60

DEBRIS BASIN - YEARLY DEBRIS PRODUCTION SUMMARY**CROCKER**

Season	CY Production	Cumulative of CY Production
1982-83	0	0
1983-84	0	NEG.
1984-85	0	NEG.
1985-86	0	0
1986-87	0	0
1987-88	0	0
1988-89	0	0
1989-90	0	0
1990-91	0	0
1991-92	5745	5745
1992-93	2707	8452
1993-94	0	8452
1994-95	4864	13316
1995-96	0	13316
1996-97	0	13316
1997-98	300	13616
1998-99	0	13616
1999-00	0	13616
2000-01	90	13706
2001-02	0	13706
2002-03	0	13706
2003-04	0	13706
2004-05	0	13706
2005-06	0	13706

DEBRIS BASIN - YEARLY DEBRIS PRODUCTION SUMMARY**DEER**

Season	CY Production	Cumulative of CY Production
1953-54	0	0
1954-55	0	0
1955-56	0	0
1956-57	0	0
1957-58	2609	2609
1958-59	0	2609
1959-60	0	2609
1960-61	0	2609
1961-62	1030	3639
1962-63	1504	5143
1963-64	7243	12386
1964-65	22524	34910
1965-66	19883	54793
1966-67	8768	63561
1967-68	3974	67535
1968-69	44186	111721
1969-70	0	111721
1970-71	3104	114825
1971-72	0	114825
1972-73	2989	117814
1973-74	478	118292
1974-75	1052	119344
1975-76	0	119344
1976-77	0	119344
1977-78	22174	141518
1978-79	1076	142594
1979-80	6611	149205
1980-81	872	150077
1981-82	533	150610
1982-83	724	151334
1983-84	0	151334
1984-85	0	151334
1985-86	4922	156256
1986-87	0	156256
1987-88	692	156948
1988-89	0	156948
1989-90	0	156948
1990-91	0	156948
1991-92	4909	161857
1992-93	0	161857
1993-94	1048	162905
1994-95	3403	166308
1995-96	0	166308
1996-97	0	166308
1997-98	0	166308
1998-99	0	166308
1999-00	0	166308
2000-01	520	166828
2001-02	0	166828
2002-03	0	166828
2003-04	0	166828

DEBRIS BASIN - YEARLY DEBRIS PRODUCTION SUMMARY**DEER**

Season	CY Production	Cumulative of CY Production
2004-05	10420	177248
2005-06	0	177248

DEBRIS BASIN - YEARLY DEBRIS PRODUCTION SUMMARY
--

DENIVELLE

Season	CY Production	Cumulative of CY Production
1975-76	0	0
1976-77	0	0
1977-78	5477	5477
1978-79	0	5477
1979-80	2293	7770
1980-81	0	7770
1981-82	0	7770
1982-83	856	8626
1983-84	0	8626
1984-85	0	8626
1985-86	0	8626
1986-87	0	8626
1987-88	0	8626
1988-89	0	8626
1989-90	0	8626
1990-91	0	8626
1991-92	966	9592
1992-93	0	9592
1993-94	51	9643
1994-95	160	9803
1995-96	0	9803
1996-97	0	9803
1997-98	1518	11321
1998-99	0	11321
1999-00	0	11321
2000-01	1036	12357
2001-02	0	12357
2002-03	0	12357
2003-04	0	12357
2004-05	1290	13647
2005-06	0	13647

DEBRIS BASIN - YEARLY DEBRIS PRODUCTION SUMMARY**DEVONWOOD**

Season	CY Production	Cumulative of CY Production
1981-82	0	0
1982-83	132	132
1983-84	0	132
1984-85	0	132
1985-86	0	132
1986-87	0	132
1987-88	0	132
1988-89	0	132
1989-90	0	132
1990-91	0	132
1991-92	494	626
1992-93	140	766
1993-94	5818	6584
1994-95	3631	10215
1995-96	0	10215
1996-97	0	10215
1997-98	0	10215
1998-99	0	10215
1999-00	0	10215
2000-01	110	10325
2001-02	0	10325
2002-03	0	10325
2003-04	0	10325
2004-05	0	10325
2005-06	0	10325

DEBRIS BASIN - YEARLY DEBRIS PRODUCTION SUMMARY**DRY CANYON-SOUTH FORK**

Season	CY Production	Cumulative of CY Production
1978-79	0	0
1979-80	5325	5325
1980-81	0	5325
1981-82	556	5881
1982-83	122	6003
1983-84	0	6003
1984-85	0	6003
1985-86	3	6006
1986-87	0	6006
1987-88	0	6006
1988-89	0	6006
1989-90	110	6116
1990-91	0	6116
1991-92	2235	8351
1992-93	259	8610
1993-94	259	8869
1994-95	0	8869
1995-96	0	8869
1996-97	0	8869
1997-98	3420	12289
1998-99	0	12289
1999-00	0	12289
2000-01	237	12526
2001-02	0	12526
2002-03	0	12526
2003-04	0	12526
2004-05	0	12526
2005-06	0	12526

DEBRIS BASIN - YEARLY DEBRIS PRODUCTION SUMMARY**DUNSMUIR**

Season	CY Production	Cumulative of CY Production
1935-36	942	942
1936-37	0	942
1937-38	78216	79158
1938-39	0	79158
1939-40	22072	101230
1940-41	11847	113077
1941-42	336	113413
1942-43	14007	127420
1943-44	0	127420
1944-45	4654	132074
1945-46	0	132074
1946-47	0	132074
1947-48	0	132074
1948-49	2204	134278
1949-50	0	134278
1950-51	0	134278
1951-52	0	134278
1952-53	11025	145303
1953-54	0	145303
1954-55	0	145303
1955-56	1184	146487
1956-57	3600	150087
1957-58	4692	154779
1958-59	0	154779
1959-60	0	154779
1960-61	2168	156947
1961-62	2829	159776
1962-63	3908	163684
1963-64	0	163684
1964-65	0	163684
1965-66	0	163684
1966-67	3906	167590
1967-68	561	168151
1968-69	17330	185481
1969-70	1094	186575
1970-71	0	186575
1971-72	0	186575
1972-73	7425	194000
1973-74	249	194249
1974-75	0	194249
1975-76	6633	200882
1976-77	3835	204717
1977-78	86189	290906
1978-79	1620	292526
1979-80	19164	311690
1980-81	1565	313255
1981-82	3786	317041
1982-83	27527	344568
1983-84	2667	347235
1984-85	0	347235
1985-86	0	347235

DEBRIS BASIN - YEARLY DEBRIS PRODUCTION SUMMARY**DUNSMUIR**

Season	CY Production	Cumulative of CY Production
1986-87	0	347235
1987-88	2758	349993
1988-89	0	349993
1989-90	0	349993
1990-91	0	349993
1991-92	12329	362322
1992-93	0	362322
1993-94	11173	373495
1994-95	8043	381538
1995-96	0	381538
1996-97	0	381538
1997-98	2100	383638
1998-99	0	383638
1999-00	0	383638
2000-01	3100	386738
2001-02	0	386738
2002-03	0	386738
2003-04	0	386738
2004-05	0	386738
2005-06	0	386738

DEBRIS BASIN - YEARLY DEBRIS PRODUCTION SUMMARY**EAGLE**

Season	CY Production	Cumulative of CY Production
1937-38	41690	41690
1938-39	5936	47626
1939-40	0	47626
1940-41	13845	61471
1941-42	336	61807
1942-43	15445	77252
1943-44	4525	81777
1944-45	1086	82863
1945-46	300	83163
1946-47	402	83565
1947-48	71	83636
1948-49	0	83636
1949-50	0	83636
1950-51	0	83636
1951-52	2711	86347
1952-53	2499	88846
1953-54	0	88846
1954-55	0	88846
1955-56	0	88846
1956-57	500	89346
1957-58	1444	90790
1958-59	1317	92107
1959-60	0	92107
1960-61	355	92462
1961-62	1762	94224
1962-63	1198	95422
1963-64	0	95422
1964-65	2076	97498
1965-66	15769	113267
1966-67	9665	122932
1967-68	1441	124373
1968-69	12684	137057
1969-70	76	137133
1970-71	0	137133
1971-72	0	137133
1972-73	3213	140346
1973-74	0	140346
1974-75	0	140346
1975-76	8914	149260
1976-77	10589	159849
1977-78	30517	190366
1978-79	0	190366
1979-80	4926	195292
1980-81	0	195292
1981-82	525	195817
1982-83	2171	197988
1983-84	0	197988
1984-85	1327	199315
1985-86	0	199315
1986-87	499	199814
1987-88	809	200623

DEBRIS BASIN - YEARLY DEBRIS PRODUCTION SUMMARY**EAGLE**

Season	CY Production	Cumulative of CY Production
1988-89	162	200785
1989-90	0	200785
1990-91	0	200785
1991-92	603	201388
1992-93	0	201388
1993-94	0	201388
1994-95	700	202088
1995-96	0	202088
1996-97	0	202088
1997-98	0	202088
1998-99	0	202088
1999-00	0	202088
2000-01	3600	205688
2001-02	0	205688
2002-03	0	205688
2003-04	0	205688
2004-05	0	205688
2005-06	0	205688

DEBRIS BASIN - YEARLY DEBRIS PRODUCTION SUMMARY**ELMWOOD**

Season	CY Production	Cumulative of CY Production
1964-65	12153	12153
1965-66	501	12654
1966-67	3237	15891
1967-68	260	16151
1968-69	2560	18711
1969-70	0	18711
1970-71	0	18711
1971-72	0	18711
1972-73	0	18711
1973-74	0	18711
1974-75	0	18711
1975-76	0	18711
1976-77	0	18711
1977-78	3619	22330
1978-79	0	22330
1979-80	5253	27583
1980-81	16089	43672
1981-82	2789	46461
1982-83	2631	49092
1983-84	0	49092
1984-85	0	49092
1985-86	0	49092
1986-87	366	49458
1987-88	3323	52781
1988-89	0	52781
1989-90	0	52781
1990-91	0	52781
1991-92	652	53433
1992-93	278	53711
1993-94	0	53711
1994-95	2350	56061
1995-96	0	56061
1996-97	0	56061
1997-98	600	56661
1998-99	0	56661
1999-00	0	56661
2000-01	1230	57891
2001-02	0	57891
2002-03	0	57891
2003-04	0	57891
2004-05	0	57891
2005-06	0	57891

DEBRIS BASIN - YEARLY DEBRIS PRODUCTION SUMMARY
--

EMERALD-EAST

Season	CY Production	Cumulative of CY Production
1965-66	0	0
1966-67	754	754
1967-68	42	796
1968-69	1605	2401
1969-70	0	2401
1970-71	0	2401
1971-72	0	2401
1972-73	358	2759
1973-74	0	2759
1974-75	2170	4929
1975-76	0	4929
1976-77	0	4929
1977-78	1212	6141
1978-79	56	6197
1979-80	714	6911
1980-81	0	6911
1981-82	0	6911
1982-83	177	7088
1983-84	0	7088
1984-85	0	7088
1985-86	1806	8894
1986-87	0	8894
1987-88	0	8894
1988-89	0	8894
1989-90	0	8894
1990-91	0	8894
1991-92	1602	10496
1992-93	0	10496
1993-94	1017	11513
1994-95	1476	12989
1995-96	912	13901
1996-97	0	13901
1997-98	0	13901
1998-99	0	13901
1999-00	0	13901
2000-01	0	13901
2001-02	0	13901
2002-03	0	13901
2003-04	0	13901
2004-05	0	13901
2005-06	0	13901

DEBRIS BASIN - YEARLY DEBRIS PRODUCTION SUMMARY**ENGLEWILD**

Season	CY Production	Cumulative of CY Production
1961-62	1322	1322
1962-63	103	1425
1963-64	61	1486
1964-65	0	1486
1965-66	1218	2704
1966-67	2198	4902
1967-68	0	4902
1968-69	60194	65096
1969-70	5497	70593
1970-71	901	71494
1971-72	0	71494
1972-73	0	71494
1973-74	0	71494
1974-75	0	71494
1975-76	0	71494
1976-77	0	71494
1977-78	1115	72609
1978-79	329	72938
1979-80	12391	85329
1980-81	0	85329
1981-82	0	85329
1982-83	23	85352
1983-84	0	85352
1984-85	0	85352
1985-86	0	85352
1986-87	0	85352
1987-88	521	85873
1988-89	0	85873
1989-90	0	85873
1990-91	0	85873
1991-92	0	85873
1992-93	29	85902
1993-94	1405	87307
1994-95	680	87987
1995-96	50	88037
1996-97	0	88037
1997-98	0	88037
1998-99	0	88037
1999-00	0	88037
2000-01	90	88127
2001-02	0	88127
2002-03	12536	100663
2003-04	10896	111559
2004-05	2898	114457
2005-06	0	114457

DEBRIS BASIN - YEARLY DEBRIS PRODUCTION SUMMARY**FAIR OAKS**

Season	CY Production	Cumulative of CY Production
1935-36	15711	15711
1936-37	14611	30322
1937-38	12639	42961
1938-39	0	42961
1939-40	0	42961
1940-41	3990	46951
1941-42	0	46951
1942-43	3236	50187
1943-44	82	50269
1944-45	578	50847
1945-46	961	51808
1946-47	661	52469
1947-48	6	52475
1948-49	0	52475
1949-50	0	52475
1950-51	0	52475
1951-52	3088	55563
1952-53	0	55563
1953-54	0	55563
1954-55	0	55563
1955-56	1042	56605
1956-57	0	56605
1957-58	10704	67309
1958-59	2900	70209
1959-60	2070	72279
1960-61	25	72304
1961-62	530	72834
1962-63	4060	76894
1963-64	2976	79870
1964-65	0	79870
1965-66	5934	85804
1966-67	1545	87349
1967-68	3463	90812
1968-69	12453	103265
1969-70	899	104164
1970-71	0	104164
1971-72	0	104164
1972-73	1134	105298
1973-74	0	105298
1974-75	0	105298
1975-76	0	105298
1976-77	0	105298
1977-78	2596	107894
1978-79	0	107894
1979-80	325	108219
1980-81	0	108219
1981-82	0	108219
1982-83	681	108900
1983-84	0	108900
1984-85	0	108900
1985-86	0	108900

DEBRIS BASIN - YEARLY DEBRIS PRODUCTION SUMMARY**FAIR OAKS**

Season	CY Production	Cumulative of CY Production
1986-87	120	109020
1987-88	0	109020
1988-89	0	109020
1989-90	0	109020
1990-91	0	109020
1991-92	0	109020
1992-93	1300	110320
1993-94	2416	112736
1994-95	2880	115616
1995-96	0	115616
1996-97	0	115616
1997-98	0	115616
1998-99	0	115616
1999-00	0	115616
2000-01	1200	116816
2001-02	0	116816
2002-03	0	116816
2003-04	0	116816
2004-05	0	116816
2005-06	0	116816

DEBRIS BASIN - YEARLY DEBRIS PRODUCTION SUMMARY
--

FERN

Season	CY Production	Cumulative of CY Production
1935-36	12402	12402
1936-37	21456	33858
1937-38	21158	55016
1938-39	0	55016
1939-40	0	55016
1940-41	4800	59816
1941-42	0	59816
1942-43	10625	70441
1943-44	2992	73433
1944-45	1476	74909
1945-46	1332	76241
1946-47	217	76458
1947-48	0	76458
1948-49	0	76458
1949-50	0	76458
1950-51	0	76458
1951-52	5397	81855
1952-53	0	81855
1953-54	460	82315
1954-55	0	82315
1955-56	400	82715
1956-57	0	82715
1957-58	1111	83826
1958-59	200	84026
1959-60	0	84026
1960-61	729	84755
1961-62	399	85154
1962-63	6732	91886
1963-64	0	91886
1964-65	1313	93199
1965-66	10666	103865
1966-67	4796	108661
1967-68	5369	114030
1968-69	23867	137897
1969-70	2009	139906
1970-71	1928	141834
1971-72	0	141834
1972-73	5187	147021
1973-74	513	147534
1974-75	0	147534
1975-76	0	147534
1976-77	0	147534
1977-78	7318	154852
1978-79	0	154852
1979-80	2143	156995
1980-81	0	156995
1981-82	0	156995
1982-83	2559	159554
1983-84	0	159554
1984-85	0	159554
1985-86	0	159554

DEBRIS BASIN - YEARLY DEBRIS PRODUCTION SUMMARY**FERN**

Season	CY Production	Cumulative of CY Production
1986-87	0	159554
1987-88	394	159948
1988-89	0	159948
1989-90	0	159948
1990-91	0	159948
1991-92	4805	164753
1992-93	0	164753
1993-94	16103	180856
1994-95	6550	187406
1995-96	20	187426
1996-97	0	187426
1997-98	1680	189106
1998-99	0	189106
1999-00	0	189106
2000-01	0	189106
2001-02	0	189106
2002-03	0	189106
2003-04	0	189106
2004-05	0	189106
2005-06	0	189106

DEBRIS BASIN - YEARLY DEBRIS PRODUCTION SUMMARY
--

FIELDBROOK

Season	CY Production	Cumulative of CY Production
1974-75	0	0
1975-76	0	NEG.
1976-77	0	0
1977-78	484	484
1978-79	156	640
1979-80	277	917
1980-81	0	917
1981-82	0	917
1982-83	0	917
1983-84	0	917
1984-85	128	1045
1985-86	49	1094
1986-87	0	1094
1987-88	16	1110
1988-89	0	1110
1989-90	0	1110
1990-91	0	1110
1991-92	51	1161
1992-93	489	1650
1993-94	0	1650
1994-95	360	2010
1995-96	100	2110
1996-97	0	2110
1997-98	0	2110
1998-99	0	2110
1999-00	0	2110
2000-01	0	2110
2001-02	100	2210
2002-03	0	2210
2003-04	0	2210
2004-05	0	2210
2005-06	0	2210

DEBRIS BASIN - YEARLY DEBRIS PRODUCTION SUMMARY**GOLF CLUB DRIVE**

Season	CY Production	Cumulative of CY Production
1969-70	0	0
1970-71	N	0
1971-72	NEG.	0
1972-73	2748	2748
1973-74	291	3039
1974-75	883	3922
1975-76	0	3922
1976-77	3079	7001
1977-78	6183	13184
1978-79	1109	14293
1979-80	11631	25924
1980-81	760	26684
1981-82	437	27121
1982-83	2641	29762
1983-84	0	29762
1984-85	0	29762
1985-86	0	29762
1986-87	0	29762
1987-88	966	30728
1988-89	0	30728
1989-90	0	30728
1990-91	1007	31735
1991-92	6834	38569
1992-93	0	38569
1993-94	0	38569
1994-95	1493	40062
1995-96	0	40062
1996-97	0	40062
1997-98	50	40112
1998-99	0	40112
1999-00	0	40112
2000-01	550	40662
2001-02	0	40662
2002-03	0	40662
2003-04	0	40662
2004-05	0	40662
2005-06	0	40662

DEBRIS BASIN - YEARLY DEBRIS PRODUCTION SUMMARY**GOOSEBERRY**

Season	CY Production	Cumulative of CY Production
1959-60	Negligible	0
1960-61	Negligible	0
1961-62	1682	0
1962-63	Negligible	0
1999-00	0	0
2000-01	0	0
2001-02	1027	1027
2002-03	0	1027
2003-04	0	1027
2004-05	0	1027
2005-06	0	1027

DEBRIS BASIN - YEARLY DEBRIS PRODUCTION SUMMARY**GORDON**

Season	CY Production	Cumulative of CY Production
1972-73	0	0
1973-74	0	0
1974-75	0	0
1975-76	0	NEG.
1976-77	0	0
1977-78	3810	3810
1978-79	0	3810
1979-80	646	4456
1980-81	0	4456
1981-82	0	4456
1982-83	29	4485
1983-84	0	4485
1984-85	0	4485
1985-86	0	4485
1986-87	0	4485
1987-88	0	4485
1988-89	0	4485
1989-90	0	4485
1990-91	0	4485
1991-92	0	4485
1992-93	484	4969
1993-94	0	4969
1994-95	0	4969
1995-96	700	5669
1996-97	0	5669
1997-98	100	5769
1998-99	0	5769
1999-00	360	6129
2000-01	480	6609
2001-02	1140	7749
2002-03	0	7749
2003-04	660	8409
2004-05	0	8409
2005-06	0	8409

DEBRIS BASIN - YEARLY DEBRIS PRODUCTION SUMMARY**GOULD (LOWER)**

Season	CY Production	Cumulative of CY Production
1947-48	Negligible	0
1948-49	Negligible	0
1949-50	Negligible	0
1950-51	Negligible	0
1951-52	0	0
1952-53	8703	8703
1953-54	0	8703
1954-55	0	8703
1955-56	2459	11162
1956-57	0	11162
1957-58	3973	15135
1958-59	0	15135
1959-60	2825	17960
1960-61	3416	21376
1961-62	12983	34359
1962-63	3975	38334
1963-64	0	38334
1964-65	5284	43618
1965-66	23684	67302
1966-67	0	67302
1967-68	444	67746
1968-69	15537	83283
1969-70	80	83363
1970-71	1885	85248
1971-72	0	85248
1972-73	8823	94071
1973-74	1433	95504
1974-75	0	95504
1975-76	0	95504
1976-77	3287	98791
1977-78	3953	102744
1978-79	0	102744
1979-80	3354	106098
1980-81	0	106098
1981-82	715	106813
1982-83	2242	109055
1983-84	604	109659
1984-85	63	109722
1985-86	0	109722
1986-87	1127	110849
1987-88	0	110849
1988-89	0	110849
1989-90	0	110849
1990-91	0	110849
1991-92	6303	117152
1992-93	0	117152
1993-94	5551	122703
1994-95	0	122703
1995-96	1	122704
1996-97	0	122704
1997-98	410	123114

DEBRIS BASIN - YEARLY DEBRIS PRODUCTION SUMMARY**GOULD (LOWER)**

Season	CY Production	Cumulative of CY Production
1998-99	0	123114
1999-00	0	123114
2000-01	400	123514
2001-02	0	123514
2002-03	0	123514
2003-04	0	123514
2004-05	0	123514
2005-06	0	123514

DEBRIS BASIN - YEARLY DEBRIS PRODUCTION SUMMARY
--

GOULD (UPPER)

Season	CY Production	Cumulative of CY Production
1977-78	10065	10065
1978-79	0	10065
1979-80	5209	15274
1980-81	0	15274
1981-82	807	16081
1982-83	2657	18738
1983-84	160	18898
1984-85	2188	21086
1985-86	582	21668
1986-87	0	21668
1987-88	3816	25484
1988-89	0	25484
1989-90	0	25484
1990-91	0	25484
1991-92	13393	38877
1992-93	0	38877
1993-94	392	39269
1994-95	2166	41435
1995-96	0	41435
1996-97	0	41435
1997-98	300	41735
1998-99	0	41735
1999-00	0	41735
2000-01	235	41970
2001-02	0	41970
2002-03	0	41970
2003-04	0	41970
2004-05	0	41970
2005-06	0	41970

DEBRIS BASIN - YEARLY DEBRIS PRODUCTION SUMMARY
--

HALLS

Season	CY Production	Cumulative of CY Production
1944-45	5080	5080
1945-46	1720	6800
1946-47	4460	11260
1947-48	0	11260
1948-49	0	11260
1949-50	0	11260
1950-51	0	11260
1951-52	21886	33146
1952-53	0	33146
1953-54	3310	36456
1954-55	0	36456
1955-56	4020	40476
1956-57	0	40476
1957-58	12170	52646
1958-59	1570	54216
1959-60	0	54216
1960-61	4139	58355
1961-62	14914	73269
1962-63	6187	79456
1963-64	0	79456
1964-65	0	79456
1965-66	5536	84992
1966-67	6920	91912
1967-68	5546	97458
1968-69	55165	152623
1969-70	0	152623
1970-71	0	152623
1971-72	7385	160008
1972-73	17347	177355
1973-74	605	177960
1974-75	0	177960
1975-76	2817	180777
1976-77	11043	191820
1977-78	52362	244182
1978-79	9155	253337
1979-80	22384	275721
1980-81	2403	278124
1981-82	1271	279395
1982-83	23580	302975
1983-84	0	302975
1984-85	0	302975
1985-86	7	302982
1986-87	0	302982
1987-88	1149	304131
1988-89	0	304131
1989-90	0	304131
1990-91	0	304131
1991-92	28805	332936
1992-93	0	332936
1993-94	13072	346008
1994-95	8650	354658

DEBRIS BASIN - YEARLY DEBRIS PRODUCTION SUMMARY**HALLS**

Season	CY Production	Cumulative of CY Production
1995-96	0	354658
1996-97	3822	358480
1997-98	1100	359580
1998-99	0	359580
1999-00	0	359580
2000-01	2000	361580
2001-02	0	361580
2002-03	0	361580
2003-04	0	361580
2004-05	44737	406317
2005-06	0	406317

DEBRIS BASIN - YEARLY DEBRIS PRODUCTION SUMMARY**HARROW**

Season	CY Production	Cumulative of CY Production
1957-58	0	0
1958-59	0	0
1959-60	0	0
1960-61	0	0
1961-62	865	865
1962-63	0	865
1963-64	0	865
1964-65	0	865
1965-66	0	865
1966-67	1847	2712
1967-68	0	2712
1968-69	63393	66105
1969-70	2386	68491
1970-71	0	68491
1971-72	0	68491
1972-73	1828	70319
1973-74	0	70319
1974-75	0	70319
1975-76	0	70319
1976-77	0	70319
1977-78	2191	72510
1978-79	1200	73710
1979-80	3229	76939
1980-81	0	76939
1981-82	0	76939
1982-83	0	76939
1983-84	0	76939
1984-85	423	77362
1985-86	0	77362
1986-87	1102	78464
1987-88	0	78464
1988-89	0	78464
1989-90	0	78464
1990-91	0	78464
1991-92	0	78464
1992-93	50	78514
1993-94	0	78514
1994-95	0	78514
1995-96	150	78664
1996-97	0	78664
1997-98	0	78664
1998-99	0	78664
1999-00	0	78664
2000-01	5360	84024
2001-02	0	84024
2002-03	0	84024
2003-04	0	84024
2004-05	0	84024
2005-06	0	84024

DEBRIS BASIN - YEARLY DEBRIS PRODUCTION SUMMARY
--

HAY

Season	CY Production	Cumulative of CY Production
1937-38	18249	18249
1938-39	4780	23029
1939-40	184	23213
1940-41	615	23828
1941-42	0	23828
1942-43	3054	26882
1943-44	211	27093
1944-45	497	27590
1945-46	164	27754
1946-47	0	27754
1947-48	0	27754
1948-49	0	27754
1949-50	0	27754
1950-51	0	27754
1951-52	1487	29241
1952-53	0	29241
1953-54	0	29241
1954-55	0	29241
1955-56	0	29241
1956-57	0	29241
1957-58	0	29241
1958-59	0	29241
1959-60	1570	30811
1960-61	6036	36847
1961-62	5608	42455
1962-63	1524	43979
1963-64	0	43979
1964-65	0	43979
1965-66	2206	46185
1966-67	293	46478
1967-68	2288	48766
1968-69	5662	54428
1969-70	0	54428
1970-71	0	54428
1971-72	0	54428
1972-73	1469	55897
1973-74	207	56104
1974-75	0	56104
1975-76	0	56104
1976-77	0	56104
1977-78	4338	60442
1978-79	908	61350
1979-80	0	61350
1980-81	1556	62906
1981-82	0	62906
1982-83	1345	64251
1983-84	0	64251
1984-85	4138	68389
1985-86	0	68389
1986-87	788	69177
1987-88	0	69177

DEBRIS BASIN - YEARLY DEBRIS PRODUCTION SUMMARY**HAY**

Season	CY Production	Cumulative of CY Production
1988-89	0	69177
1989-90	0	69177
1990-91	0	69177
1991-92	1844	71021
1992-93	0	71021
1993-94	1749	72770
1994-95	0	72770
1995-96	0	72770
1996-97	0	72770
1997-98	0	72770
1998-99	0	72770
1999-00	0	72770
2000-01	370	73140
2001-02	0	73140
2002-03	0	73140
2003-04	0	73140
2004-05	6985	80125
2005-06	0	80125

DEBRIS BASIN - YEARLY DEBRIS PRODUCTION SUMMARY
--

HILLCREST

Season	CY Production	Cumulative of CY Production
1962-63	0	24
1963-64	8608	8632
1964-65	11659	20291
1965-66	2209	22500
1966-67	915	23415
1967-68	0	23415
1968-69	10321	33736
1969-70	745	34481
1970-71	0	34481
1971-72	0	34481
1972-73	491	34972
1973-74	0	34972
1974-75	0	34972
1975-76	0	34972
1976-77	0	34972
1977-78	5586	40558
1978-79	1679	42237
1979-80	1326	43563
1980-81	763	44326
1981-82	59	44385
1982-83	211	44596
1983-84	0	44596
1984-85	360	44956
1985-86	0	44956
1986-87	2657	47613
1987-88	0	47613
1988-89	0	47613
1989-90	0	47613
1990-91	0	47613
1991-92	3760	51373
1992-93	0	51373
1993-94	300	51673
1994-95	0	51673
1995-96	0	51673
1996-97	0	51673
1997-98	2000	53673
1998-99	0	53673
1999-00	0	53673
2000-01	610	54283
2001-02	0	54283
2002-03	0	54283
2003-04	0	54283
2004-05	0	54283
2005-06	0	54283

DEBRIS BASIN - YEARLY DEBRIS PRODUCTION SUMMARY
--

HOG

Season	CY Production	Cumulative of CY Production
1967-68	0	0
1968-69	0	0
1969-70	N	N
1970-71	N	N
1971-72	N	N
1972-73	N	N
1973-74	0	0
1974-75	0	0
1975-76	0	NEG.
1976-77	0	0
1977-78	3858	3858
1978-79	0	3858
1979-80	2584	6442
1980-81	0	6442
1981-82	0	6442
1982-83	0	6442
1983-84	0	6442
1984-85	0	6442
1985-86	0	6442
1986-87	0	6442
1987-88	66	6508
1988-89	0	6508
1989-90	0	6508
1990-91	0	6508
1991-92	0	6508
1992-93	534	7042
1993-94	0	7042
1994-95	3500	10542
1995-96	0	10542
1996-97	0	10542
1997-98	200	10742
1998-99	0	10742
1999-00	0	10742
2000-01	3980	14722
2001-02	824	15546
2002-03	0	15546
2003-04	0	15546
2004-05	0	15546
2005-06	0	15546

DEBRIS BASIN - YEARLY DEBRIS PRODUCTION SUMMARY
--

HOOK EAST

Season	CY Production	Cumulative of CY Production
1968-69	40153	40153
1969-70	1012	41165
1970-71	0	41165
1971-72	0	41165
1972-73	0	41165
1973-74	0	41165
1974-75	0	41165
1975-76	0	41165
1976-77	0	41165
1977-78	2139	43304
1978-79	24	43328
1979-80	2381	45709
1980-81	0	45709
1981-82	0	45709
1982-83	0	45709
1983-84	0	45709
1984-85	0	45709
1985-86	0	45709
1986-87	0	45709
1987-88	0	45709
1988-89	0	45709
1989-90	0	45709
1990-91	0	45709
1991-92	0	45709
1992-93	2038	47747
1993-94	0	47747
1994-95	0	47747
1995-96	20	47767
1996-97	0	47767
1997-98	0	47767
1998-99	0	47767
1999-00	0	47767
2000-01	420	48187
2001-02	0	48187
2002-03	0	48187
2003-04	0	48187
2004-05	0	48187
2005-06	0	48187

DEBRIS BASIN - YEARLY DEBRIS PRODUCTION SUMMARY**HOOK WEST**

Season	CY Production	Cumulative of CY Production
1970-71	N	N
1971-72	N	N
1972-73	N	N
1973-74	0	0
1974-75	0	0
1975-76	0	N
1976-77	0	0
1977-78	1828	1828
1978-79	0	1828
1979-80	3603	5431
1980-81	0	5431
1981-82	0	5431
1982-83	0	5431
1983-84	0	5431
1984-85	0	5431
1985-86	634	6065
1986-87	472	6537
1987-88	0	6537
1988-89	0	6537
1989-90	0	6537
1990-91	0	6537
1991-92	602	7139
1992-93	49	7188
1993-94	0	7188
1994-95	80	7268
1995-96	20	7288
1996-97	0	7288
1997-98	200	7488
1998-99	0	7488
1999-00	0	7488
2000-01	10	7498
2001-02	0	7498
2002-03	0	7498
2003-04	0	7498
2004-05	0	7498
2005-06	0	7498

DEBRIS BASIN - YEARLY DEBRIS PRODUCTION SUMMARY**INVERNESS**

Season	CY Production	Cumulative of CY Production
1982-83	252	252
1983-84	0	252
1984-85	0	252
1985-86	0	252
1986-87	0	252
1987-88	13	265
1988-89	0	265
1989-90	0	265
1990-91	0	265
1991-92	16	281
1992-93	0	281
1993-94	0	281
1994-95	182	463
1995-96	0	463
1996-97	0	463
1997-98	0	463
1998-99	0	463
1999-00	0	463
2000-01	0	463
2001-02	0	463
2002-03	0	463
2003-04	0	463
2004-05	1341	1804
2005-06	0	1804

DEBRIS BASIN - YEARLY DEBRIS PRODUCTION SUMMARY
--

IRVING DRIVE

Season	CY Production	Cumulative of CY Production
1974-75	0	0
1975-76	0	N
1976-77	0	0
1977-78	340	340
1978-79	0	340
1979-80	0	340
1980-81	577	917
1981-82	192	1109
1982-83	0	1109
1983-84	0	1109
1984-85	0	1109
1985-86	9	1118
1986-87	0	1118
1987-88	135	1253
1988-89	0	1253
1989-90	0	1253
1990-91	0	1253
1991-92	340	1593
1992-93	0	1593
1993-94	0	1593
1994-95	0	1593
1995-96	10	1603
1996-97	0	1603
1997-98	0	1603
1998-99	0	1603
1999-00	0	1603
2000-01	14	1617
2001-02	0	1617
2002-03	0	1617
2003-04	0	1617
2004-05	0	1617
2005-06	0	1617

DEBRIS BASIN - YEARLY DEBRIS PRODUCTION SUMMARY**KINNELOA EAST**

Season	CY Production	Cumulative of CY Production
1964-65	2248	2248
1965-66	4697	6945
1966-67	4436	11381
1967-68	3408	14789
1968-69	17622	32411
1969-70	450	32861
1970-71	612	33473
1971-72	0	33473
1972-73	4697	38170
1973-74	0	38170
1974-75	0	38170
1975-76	3021	41191
1976-77	0	41191
1977-78	5114	46305
1978-79	0	46305
1979-80	1959	48264
1980-81	0	48264
1981-82	0	48264
1982-83	665	48929
1983-84	0	48929
1984-85	0	48929
1985-86	0	48929
1986-87	0	48929
1987-88	0	48929
1988-89	0	48929
1989-90	100	49029
1990-91	0	49029
1991-92	5455	54484
1992-93	2466	56950
1993-94	30899	87849
1994-95	14786	102635
1995-96	350	102985
1996-97	0	102985
1997-98	4050	107035
1998-99	0	107035
1999-00	0	107035
2000-01	360	107395
2001-02	0	107395
2002-03	0	107395
2003-04	0	107395
2004-05	0	107395
2005-06	0	107395

DEBRIS BASIN - YEARLY DEBRIS PRODUCTION SUMMARY**KINNELOA WEST**

Season	CY Production	Cumulative of CY Production
1966-67	3944	3944
1967-68	4250	8194
1968-69	22162	30356
1969-70	1306	31662
1970-71	992	32654
1971-72	0	32654
1972-73	7786	40440
1973-74	0	40440
1974-75	0	40440
1975-76	0	40440
1976-77	5354	45794
1977-78	5074	50868
1978-79	241	51109
1979-80	3251	54360
1980-81	0	54360
1981-82	211	54571
1982-83	3630	58201
1983-84	0	58201
1984-85	0	58201
1985-86	1	58202
1986-87	0	58202
1987-88	854	59056
1988-89	0	59056
1989-90	3616	62672
1990-91	0	62672
1991-92	6669	69341
1992-93	3782	73123
1993-94	43499	116622
1994-95	33746	150368
1995-96	1985	152353
1996-97	0	152353
1997-98	7992	160345
1998-99	0	160345
1999-00	0	160345
2000-01	150	160495
2001-02	0	160495
2002-03	0	160495
2003-04	0	160495
2004-05	0	160495
2005-06	0	160495

DEBRIS BASIN - YEARLY DEBRIS PRODUCTION SUMMARY**LA TUNA**

Season	CY Production	Cumulative of CY Production
1955-56	16836	16836
1956-57	11250	28086
1957-58	10720	38806
1958-59	8826	47632
1959-60	0	47632
1960-61	0	47632
1961-62	26884	74516
1962-63	0	74516
1963-64	0	74516
1964-65	0	74516
1965-66	26805	101321
1966-67	5614	106935
1967-68	0	106935
1968-69	71308	178243
1969-70	0	178243
1970-71	0	178243
1971-72	0	178243
1972-73	4001	182244
1973-74	0	182244
1974-75	0	182244
1975-76	0	182244
1976-77	1865	184109
1977-78	172051	356160
1978-79	6407	362567
1979-80	76540	439107
1980-81	60343	499450
1981-82	30861	530311
1982-83	63604	593915
1983-84	0	593915
1984-85	0	593915
1985-86	3	593918
1986-87	3211	597129
1987-88	0	597129
1988-89	0	597129
1989-90	0	597129
1990-91	0	597129
1991-92	36560	633689
1992-93	20049	653738
1993-94	0	653738
1994-95	0	653738
1995-96	1	653739
1996-97	0	653739
1997-98	11235	664974
1998-99	0	664974
1999-00	0	664974
2000-01	8565	673539
2001-02	0	673539
2002-03	0	673539
2003-04	0	673539
2004-05	23682	697221
2005-06	0	697221

DEBRIS BASIN - YEARLY DEBRIS PRODUCTION SUMMARY**LANNAN**

Season	CY Production	Cumulative of CY Production
1953-54	Negligible	0
1954-55	7565	7565
1955-56	1426	8991
1956-57	0	8991
1957-58	1137	10128
1958-59	2088	12216
1959-60	0	12216
1960-61	0	12216
1961-62	2189	14405
1962-63	1285	15690
1963-64	0	15690
1964-65	0	15690
1965-66	0	15690
1966-67	2534	18224
1967-68	0	18224
1968-69	4499	22723
1969-70	18243	40966
1970-71	15049	56015
1971-72	0	56015
1972-73	11049	67064
1973-74	0	67064
1974-75	0	67064
1975-76	3812	70876
1976-77	0	70876
1977-78	3193	74069
1978-79	0	74069
1979-80	8985	83054
1980-81	0	83054
1981-82	0	83054
1982-83	20	83074
1983-84	0	83074
1984-85	0	83074
1985-86	0	83074
1986-87	0	83074
1987-88	0	83074
1988-89	0	83074
1989-90	0	83074
1990-91	0	83074
1991-92	0	83074
1992-93	0	83074
1993-94	700	83774
1994-95	0	83774
1995-96	0	83774
1996-97	0	83774
1997-98	0	83774
1998-99	0	83774
1999-00	0	83774
2000-01	0	83774
2001-02	0	83774
2002-03	0	83774
2003-04	0	83774

DEBRIS BASIN - YEARLY DEBRIS PRODUCTION SUMMARY**LANNAN**

Season	CY Production	Cumulative of CY Production
2004-05	0	83774
2005-06	0	83774

DEBRIS BASIN - YEARLY DEBRIS PRODUCTION SUMMARY**LAS FLORES**

Season	CY Production	Cumulative of CY Production
1939-40	0	63294
1940-41	3900	67194
1941-42	2650	69844
1942-43	10100	79944
1943-44	2700	82644
1944-45	680	83324
1945-46	690	84014
1946-47	480	84494
1947-48	0	84494
1948-49	0	84494
1949-50	0	84494
1950-51	0	84494
1951-52	1870	86364
1952-53	0	86364
1953-54	0	86364
1954-55	0	86364
1955-56	0	86364
1956-57	0	86364
1957-58	1440	87804
1958-59	0	87804
1959-60	0	87804
1960-61	167	87971
1961-62	525	88496
1962-63	24737	113233
1963-64	2460	115693
1964-65	0	115693
1965-66	17307	133000
1966-67	1300	134300
1967-68	3700	138000
1968-69	19900	157900
1969-70	0	157900
1970-71	0	157900
1971-72	0	157900
1972-73	2500	160400
1973-74	400	160800
1974-75	0	160800
1975-76	0	160800
1976-77	0	160800
1977-78	7800	168600
1978-79	0	168600
1979-80	35600	204200
1980-81	0	204200
1981-82	1700	205900
1982-83	8000	213900
1983-84	0	213900
1984-85	0	213900
1985-86	0	213900
1986-87	0	213900
1987-88	854	214754
1988-89	0	214754
1989-90	0	214754

DEBRIS BASIN - YEARLY DEBRIS PRODUCTION SUMMARY**LAS FLORES**

Season	CY Production	Cumulative of CY Production
1990-91	0	214754
1991-92	0	214754
1992-93	8698	223452
1993-94	1700	225152
1994-95	13908	239060
1995-96	0	239060
1996-97	2220	241280
1997-98	5274	246554
1998-99	0	246554
1999-00	0	246554
2000-01	0	246554
2001-02	0	246554
2002-03	0	246554
2003-04	0	246554
2004-05	0	246554
2005-06	0	246554

DEBRIS BASIN - YEARLY DEBRIS PRODUCTION SUMMARY**LAS LOMAS**

Season	CY Production	Cumulative of CY Production
1982-83	0	0
1983-84	0	0
1984-85	0	0
1985-86	0	0
1986-87	0	0
1987-88	0	0
1988-89	0	0
1989-90	0	0
1990-91	0	0
1991-92	0	0
1992-93	48	48
1993-94	0	48
1994-95	0	48
1995-96	10	58
1996-97	0	58
1997-98	0	58
1998-99	0	58
1999-00	0	58
2000-01	0	58
2001-02	0	58
2002-03	0	58
2003-04	0	58
2004-05	0	58
2005-06	0	58

DEBRIS BASIN - YEARLY DEBRIS PRODUCTION SUMMARY**LIMEKILN**

Season	CY Production	Cumulative of CY Production
1963-64	Negligible	0
1964-65	4089	4089
1965-66	42316	46405
1966-67	8971	55376
1967-68	14502	69878
1968-69	36533	106411
1969-70	0	106411
1970-71	23138	129549
1971-72	0	129549
1972-73	24975	154524
1973-74	0	154524
1974-75	7579	162103
1975-76	0	162103
1976-77	0	162103
1977-78	37650	199753
1978-79	8547	208300
1979-80	21572	229872
1980-81	3435	233307
1981-82	2046	235353
1982-83	28983	264336
1983-84	0	264336
1984-85	0	264336
1985-86	341	264677
1986-87	5872	270549
1987-88	0	270549
1988-89	0	270549
1989-90	0	270549
1990-91	0	270549
1991-92	38312	308861
1992-93	0	308861
1993-94	387	309248
1994-95	39610	348858
1995-96	0	348858
1996-97	0	348858
1997-98	0	348858
1998-99	55055	403913
1999-00	0	403913
2000-01	10320	414233
2001-02	0	414233
2002-03	0	414233
2003-04	0	414233
2004-05	0	414233
2005-06	0	414233

DEBRIS BASIN - YEARLY DEBRIS PRODUCTION SUMMARY**LINCOLN**

Season	CY Production	Cumulative of CY Production
1935-36	7958	7958
1936-37	20209	28167
1937-38	48289	76456
1938-39	0	76456
1939-40	0	76456
1940-41	12952	89408
1941-42	0	89408
1942-43	10449	99857
1943-44	1866	101723
1944-45	0	101723
1945-46	203	101926
1946-47	1611	103537
1947-48	0	103537
1948-49	0	103537
1949-50	0	103537
1950-51	0	103537
1951-52	4348	107885
1952-53	0	107885
1953-54	0	107885
1954-55	0	107885
1955-56	0	107885
1956-57	2260	110145
1957-58	1636	111781
1958-59	272	112053
1959-60	0	112053
1960-61	0	112053
1961-62	1046	113099
1962-63	797	113896
1963-64	0	113896
1964-65	0	113896
1965-66	6153	120049
1966-67	0	120049
1967-68	1688	121737
1968-69	28407	150144
1969-70	645	150789
1970-71	1302	152091
1971-72	0	152091
1972-73	0	152091
1973-74	475	152566
1974-75	0	152566
1975-76	0	152566
1976-77	0	152566
1977-78	5486	158052
1978-79	0	158052
1979-80	3539	161591
1980-81	0	161591
1981-82	0	161591
1982-83	1180	162771
1983-84	0	162771
1984-85	1425	164196
1985-86	0	164196

DEBRIS BASIN - YEARLY DEBRIS PRODUCTION SUMMARY**LINCOLN**

Season	CY Production	Cumulative of CY Production
1986-87	0	164196
1987-88	0	164196
1988-89	0	164196
1989-90	0	164196
1990-91	0	164196
1991-92	5441	169637
1992-93	3344	172981
1993-94	0	172981
1994-95	4904	177885
1995-96	0	177885
1996-97	0	177885
1997-98	0	177885
1998-99	0	177885
1999-00	0	177885
2000-01	0	177885
2001-02	0	177885
2002-03	0	177885
2003-04	0	177885
2004-05	0	177885
2005-06	0	177885

DEBRIS BASIN - YEARLY DEBRIS PRODUCTION SUMMARY
--

LINDA VISTA

Season	CY Production	Cumulative of CY Production
1975-76	0	1600
1976-77	600	2200
1977-78	3400	5600
1978-79	100	5700
1979-80	2800	8500
1980-81	200	8700
1981-82	500	9200
1982-83	1000	10200
1983-84	0	10200
1984-85	0	10200
1985-86	0	10200
1986-87	0	10200
1987-88	851	11051
1988-89	356	11407
1989-90	0	11407
1990-91	0	11407
1991-92	1139	12546
1992-93	711	13257
1993-94	360	13617
1994-95	772	14389
1995-96	0	14389
1996-97	0	14389
1997-98	100	14489
1998-99	0	14489
1999-00	0	14489
2000-01	732	15221
2001-02	0	15221
2002-03	0	15221
2003-04	0	15221
2004-05	1610	16831
2005-06	0	16831

DEBRIS BASIN - YEARLY DEBRIS PRODUCTION SUMMARY**LITTLE DALTON**

Season	CY Production	Cumulative of CY Production
1959-60	Negligible	0
1960-61	34604	34604
1961-62	185606	220210
1962-63	12944	233154
1963-64	0	233154
1964-65	0	233154
1965-66	47780	280934
1966-67	71018	351952
1967-68	5541	357493
1968-69	337789	695282
1969-70	22233	717515
1970-71	0	717515
1971-72	0	717515
1972-73	23575	741090
1973-74	0	741090
1974-75	0	741090
1975-76	0	741090
1976-77	0	741090
1977-78	74243	815333
1978-79	0	815333
1979-80	73902	889235
1980-81	0	889235
1981-82	8217	897452
1982-83	7668	905120
1983-84	0	905120
1984-85	0	905120
1985-86	0	905120
1986-87	0	905120
1987-88	0	905120
1988-89	0	905120
1989-90	0	905120
1990-91	0	905120
1991-92	0	905120
1992-93	0	905120
1993-94	28303	933423
1994-95	0	933423
1995-96	0	933423
1996-97	0	933423
1997-98	0	933423
1998-99	0	933423
1999-00	0	933423
2000-01	0	933423
2001-02	4115	937538
2002-03	0	937538
2003-04	284626	1222164
2004-05	0	1222164
2005-06	107016	1329180

DEBRIS BASIN - YEARLY DEBRIS PRODUCTION SUMMARY
--

MADDOCK

Season	CY Production	Cumulative of CY Production
1954-55	0	0
1955-56	5808	5808
1956-57	0	5808
1957-58	0	5808
1958-59	6565	12373
1959-60	0	12373
1960-61	0	12373
1961-62	3096	15469
1962-63	0	15469
1963-64	0	15469
1964-65	0	15469
1965-66	3514	18983
1966-67	1029	20012
1967-68	240	20252
1968-69	10953	31205
1969-70	0	31205
1970-71	0	31205
1971-72	0	31205
1972-73	133	31338
1973-74	0	31338
1974-75	0	31338
1975-76	0	31338
1976-77	0	31338
1977-78	431	31769
1978-79	0	31769
1979-80	5452	37221
1980-81	16170	53391
1981-82	1153	54544
1982-83	572	55116
1983-84	0	55116
1984-85	0	55116
1985-86	0	55116
1986-87	0	55116
1987-88	210	55326
1988-89	0	55326
1989-90	0	55326
1990-91	0	55326
1991-92	525	55851
1992-93	155	56006
1993-94	0	56006
1994-95	0	56006
1995-96	0	56006
1996-97	0	56006
1997-98	0	56006
1998-99	0	56006
1999-00	0	56006
2000-01	0	56006
2001-02	0	56006
2002-03	0	56006
2003-04	0	56006
2004-05	0	56006

DEBRIS BASIN - YEARLY DEBRIS PRODUCTION SUMMARY**MADDOCK**

Season	CY Production	Cumulative of CY Production
2005-06	0	56006

DEBRIS BASIN - YEARLY DEBRIS PRODUCTION SUMMARY**MARSTON / PARAGON**

Season	CY Production	Cumulative of CY Production
1988-89	0	0
1989-90	879	879
1990-91	0	879
1991-92	0	879
1992-93	0	879
1993-94	130	1009
1994-95	140	1149
1995-96	0	1149
1996-97	0	1149
1997-98	0	1149
1998-99	0	1149
1999-00	0	1149
2000-01	0	1149
2001-02	800	1949
2002-03	0	1949
2003-04	0	1949
2004-05	0	1949
2005-06	0	1949

DEBRIS BASIN - YEARLY DEBRIS PRODUCTION SUMMARY
--

MAY No.1

Season	CY Production	Cumulative of CY Production
1953-54	0	0
1954-55	0	0
1955-56	1963	1963
1956-57	0	1963
1957-58	2219	4182
1958-59	1224	5406
1959-60	0	5406
1960-61	0	5406
1961-62	2150	7556
1962-63	0	7556
1963-64	0	7556
1964-65	135	7691
1965-66	7446	15137
1966-67	26320	41457
1967-68	9632	51089
1968-69	45771	96860
1969-70	8869	105729
1970-71	0	105729
1971-72	0	105729
1972-73	13030	118759
1973-74	937	119696
1974-75	0	119696
1975-76	0	119696
1976-77	21386	141082
1977-78	7296	148378
1978-79	1098	149476
1979-80	2221	151697
1980-81	0	151697
1981-82	0	151697
1982-83	10847	162544
1983-84	0	162544
1984-85	0	162544
1985-86	0	162544
1986-87	0	162544
1987-88	90	162634
1988-89	0	162634
1989-90	0	162634
1990-91	0	162634
1991-92	16827	179461
1992-93	5411	184872
1993-94	292	185164
1994-95	7532	192696
1995-96	0	192696
1996-97	0	192696
1997-98	0	192696
1998-99	0	192696
1999-00	0	192696
2000-01	16640	209336
2001-02	0	209336
2002-03	0	209336
2003-04	0	209336

DEBRIS BASIN - YEARLY DEBRIS PRODUCTION SUMMARY**MAY No.1**

Season	CY Production	Cumulative of CY Production
2004-05	0	209336
2005-06	0	209336

DEBRIS BASIN - YEARLY DEBRIS PRODUCTION SUMMARY**MAY No.2**

Season	CY Production	Cumulative of CY Production
1953-54	Negligible	0
1954-55	0	0
1955-56	0	0
1956-57	0	0
1957-58	0	0
1958-59	244	244
1959-60	0	244
1960-61	0	244
1961-62	51	295
1962-63	0	295
1963-64	0	295
1964-65	0	295
1965-66	842	1137
1966-67	6176	7313
1967-68	4317	11630
1968-69	4057	15687
1969-70	363	16050
1970-71	0	16050
1971-72	0	16050
1972-73	2276	18326
1973-74	0	18326
1974-75	0	18326
1975-76	0	18326
1976-77	3419	21745
1977-78	1196	22941
1978-79	0	22941
1979-80	560	23501
1980-81	0	23501
1981-82	0	23501
1982-83	1889	25390
1983-84	0	25390
1984-85	0	25390
1985-86	0	25390
1986-87	0	25390
1987-88	0	25390
1988-89	0	25390
1989-90	0	25390
1990-91	0	25390
1991-92	575	25965
1992-93	79	26044
1993-94	0	26044
1994-95	0	26044
1995-96	0	26044
1996-97	0	26044
1997-98	400	26444
1998-99	0	26444
1999-00	0	26444
2000-01	390	26834
2001-02	0	26834
2002-03	0	26834
2003-04	0	26834

DEBRIS BASIN - YEARLY DEBRIS PRODUCTION SUMMARY**MAY No.2**

Season	CY Production	Cumulative of CY Production
2004-05	0	26834
2005-06	0	26834

DEBRIS BASIN - YEARLY DEBRIS PRODUCTION SUMMARY**MONUMENT CANYON**

Season	CY Production	Cumulative of CY Production
1981-82	0	0
1982-83	345	345
1983-84	0	345
1984-85	0	345
1985-86	0	345
1986-87	0	345
1987-88	0	345
1988-89	0	345
1989-90	0	345
1990-91	0	345
1991-92	154	499
1992-93	0	499
1993-94	0	499
1994-95	0	499
1995-96	20	519
1996-97	0	519
1997-98	280	799
1998-99	0	799
1999-00	0	799
2000-01	200	999
2001-02	0	999
2002-03	0	999
2003-04	0	999
2004-05	0	999
2005-06	0	999

DEBRIS BASIN - YEARLY DEBRIS PRODUCTION SUMMARY**MORGAN**

Season	CY Production	Cumulative of CY Production
1964-65	Negligible	0
1965-66	Negligible	0
1966-67	655	655
1967-68	0	655
1968-69	12923	13578
1969-70	0	13578
1970-71	0	13578
1971-72	0	13578
1972-73	0	13578
1973-74	0	13578
1974-75	0	13578
1975-76	0	13578
1976-77	0	13578
1977-78	4253	17831
1978-79	533	18364
1979-80	5812	24176
1980-81	0	24176
1981-82	3811	27987
1982-83	1504	29491
1983-84	0	29491
1984-85	0	29491
1985-86	0	29491
1986-87	801	30292
1987-88	0	30292
1988-89	0	30292
1989-90	0	30292
1990-91	0	30292
1991-92	0	30292
1992-93	0	30292
1993-94	0	30292
1994-95	0	30292
1995-96	0	30292
1996-97	0	30292
1997-98	350	30642
1998-99	0	30642
1999-00	0	30642
2000-01	540	31182
2001-02	0	31182
2002-03	0	31182
2003-04	4024	35206
2004-05	4008	39214
2005-06	0	39214

DEBRIS BASIN - YEARLY DEBRIS PRODUCTION SUMMARY**MOUNTBATTEN**

Season	CY Production	Cumulative of CY Production
1983-84	0	0
1984-85	0	0
1985-86	0	0
1986-87	0	0
1987-88	0	0
1988-89	55	55
1989-90	0	55
1990-91	0	55
1991-92	40	95
1992-93	15	110
1993-94	0	110
1994-95	0	110
1995-96	0	110
1996-97	0	110
1997-98	60	170
1998-99	0	170
1999-00	0	170
2000-01	12	182
2001-02	0	182
2002-03	0	182
2003-04	0	182
2004-05	0	182
2005-06	0	182

DEBRIS BASIN - YEARLY DEBRIS PRODUCTION SUMMARY
--

MULL

Season	CY Production	Cumulative of CY Production
1973-74	0	0
1974-75	0	0
1975-76	0	0
1976-77	0	0
1977-78	895	895
1978-79	0	895
1979-80	1052	1947
1980-81	0	1947
1981-82	0	1947
1982-83	23	1970
1983-84	0	1970
1984-85	0	1970
1985-86	0	1970
1986-87	0	1970
1987-88	0	1970
1988-89	0	1970
1989-90	0	1970
1990-91	0	1970
1991-92	0	1970
1992-93	264	2234
1993-94	124	2358
1994-95	32	2390
1995-96	20	2410
1996-97	0	2410
1997-98	0	2410
1998-99	0	2410
1999-00	0	2410
2000-01	0	2410
2001-02	38	2448
2002-03	0	2448
2003-04	588	3036
2004-05	0	3036
2005-06	0	3036

DEBRIS BASIN - YEARLY DEBRIS PRODUCTION SUMMARY
--

MULLALLY

Season	CY Production	Cumulative of CY Production
1974-75	499	499
1975-76	4368	4867
1976-77	8280	13147
1977-78	24434	37581
1978-79	553	38134
1979-80	3899	42033
1980-81	26	42059
1981-82	210	42269
1982-83	9221	51490
1983-84	230	51720
1984-85	0	51720
1985-86	0	51720
1986-87	0	51720
1987-88	128	51848
1988-89	0	51848
1989-90	0	51848
1990-91	1672	53520
1991-92	9964	63484
1992-93	2084	65568
1993-94	0	65568
1994-95	632	66200
1995-96	0	66200
1996-97	0	66200
1997-98	4300	70500
1998-99	0	70500
1999-00	0	70500
2000-01	261	70761
2001-02	0	70761
2002-03	237	70998
2003-04	105	71103
2004-05	3480	74583
2005-06	0	74583

DEBRIS BASIN - YEARLY DEBRIS PRODUCTION SUMMARY
--

NICHOLS

Season	CY Production	Cumulative of CY Production
1937-38	0	0
1938-39	0	0
1939-40	0	0
1940-41	4200	4200
1941-42	24106	28306
1942-43	2996	31302
1943-44	724	32026
1944-45	303	32329
1945-46	221	32550
1946-47	5647	38197
1947-48	440	38637
1948-49	588	39225
1949-50	1210	40435
1950-51	0	40435
1951-52	21769	62204
1952-53	0	62204
1953-54	1917	64121
1954-55	0	64121
1955-56	449	64570
1956-57	1580	66150
1957-58	1260	67410
1958-59	1490	68900
1959-60	490	69390
1960-61	0	69390
1961-62	5417	74807
1962-63	1363	76170
1963-64	0	76170
1964-65	906	77076
1965-66	9094	86170
1966-67	3486	89656
1967-68	3301	92957
1968-69	6059	99016
1969-70	3044	102060
1970-71	0	102060
1971-72	0	102060
1972-73	2377	104437
1973-74	0	104437
1974-75	0	104437
1975-76	0	104437
1976-77	1507	105944
1977-78	6331	112275
1978-79	2107	114382
1979-80	10211	124593
1980-81	1183	125776
1981-82	0	125776
1982-83	0	125776
1983-84	3286	129062
1984-85	0	129062
1985-86	0	129062
1986-87	0	129062
1987-88	1790	130852

DEBRIS BASIN - YEARLY DEBRIS PRODUCTION SUMMARY**NICHOLS**

Season	CY Production	Cumulative of CY Production
1988-89	0	130852
1989-90	0	130852
1990-91	0	130852
1991-92	1415	132267
1992-93	0	132267
1993-94	3237	135504
1994-95	30	135534
1995-96	0	135534
1996-97	0	135534
1997-98	0	135534
1998-99	0	135534
1999-00	1862	137396
2000-01	0	137396
2001-02	0	137396
2002-03	0	137396
2003-04	0	137396
2004-05	0	137396
2005-06	0	137396

DEBRIS BASIN - YEARLY DEBRIS PRODUCTION SUMMARY**OAK PARK**

Season	CY Production	Cumulative of CY Production
2000-01	0	0
2001-02	0	0
2002-03	0	0
2003-04	0	0
2004-05	0	0
2005-06	0	0

DEBRIS BASIN - YEARLY DEBRIS PRODUCTION SUMMARY
--

OAK

Season	CY Production	Cumulative of CY Production
1975-76	1421	1421
1976-77	2063	3484
1977-78	6911	10395
1978-79	575	10970
1979-80	1327	12297
1980-81	145	12442
1981-82	0	12442
1982-83	816	13258
1983-84	0	13258
1984-85	0	13258
1985-86	0	13258
1986-87	0	13258
1987-88	0	13258
1988-89	0	13258
1989-90	0	13258
1990-91	0	13258
1991-92	0	13258
1992-93	9	13267
1993-94	0	13267
1994-95	0	13267
1995-96	0	13267
1996-97	0	13267
1997-98	0	13267
1998-99	0	13267
1999-00	0	13267
2000-01	1168	14435
2001-02	0	14435
2002-03	0	14435
2003-04	0	14435
2004-05	0	14435
2005-06	0	14435

DEBRIS BASIN - YEARLY DEBRIS PRODUCTION SUMMARY
--

OAKGLADE

Season	CY Production	Cumulative of CY Production
1974-75	0	0
1975-76	0	NEG.
1976-77	0	0
1977-78	1242	1242
1978-79	0	1242
1979-80	213	1455
1980-81	0	1455
1981-82	0	1455
1982-83	0	1455
1983-84	0	1455
1984-85	0	1455
1985-86	0	1455
1986-87	0	1455
1987-88	0	1455
1988-89	0	1455
1989-90	0	1455
1990-91	0	1455
1991-92	0	1455
1992-93	0	1455
1993-94	112	1567
1994-95	90	1657
1995-96	0	1657
1996-97	0	1657
1997-98	0	1657
1998-99	0	1657
1999-00	0	1657
2000-01	0	1657
2001-02	0	1657
2002-03	0	1657
2003-04	0	1657
2004-05	0	1657
2005-06	0	1657

DEBRIS BASIN - YEARLY DEBRIS PRODUCTION SUMMARY**OAKMOUNT VIEW DRIVE**

Season	CY Production	Cumulative of CY Production
1984-85	0	0
1985-86	0	0
1986-87	18	18
1987-88	0	18
1988-89	0	18
1989-90	0	18
1990-91	0	18
1991-92	221	239
1992-93	219	458
1993-94	0	458
1994-95	181	639
1995-96	0	639
1996-97	0	639
1997-98	0	639
1998-99	0	639
1999-00	0	639
2000-01	47	686
2001-02	0	686
2002-03	0	686
2003-04	0	686
2004-05	0	686
2005-06	0	686

DEBRIS BASIN - YEARLY DEBRIS PRODUCTION SUMMARY
--

OLIVER

Season	CY Production	Cumulative of CY Production
1976-77	3788	3788
1977-78	16255	20043
1978-79	1815	21858
1979-80	4168	26026
1980-81	211	26237
1981-82	55	26292
1982-83	4088	30380
1983-84	0	30380
1984-85	0	30380
1985-86	0	30380
1986-87	0	30380
1987-88	0	30380
1988-89	0	30380
1989-90	0	30380
1990-91	0	30380
1991-92	0	30380
1992-93	0	30380
1993-94	1200	31580
1994-95	400	31980
1995-96	0	31980
1996-97	0	31980
1997-98	1000	32980
1998-99	0	32980
1999-00	0	32980
2000-01	600	33580
2001-02	0	33580
2002-03	0	33580
2003-04	0	33580
2004-05	0	33580
2005-06	0	33580

DEBRIS BASIN - YEARLY DEBRIS PRODUCTION SUMMARY**PICKENS**

Season	CY Production	Cumulative of CY Production
1935-36	32549	32549
1936-37	20454	53003
1937-38	122197	175200
1938-39	8765	183965
1939-40	13565	197530
1940-41	34437	231967
1941-42	0	231967
1942-43	53585	285552
1943-44	8899	294451
1944-45	1504	295955
1945-46	669	296624
1946-47	1096	297720
1947-48	436	298156
1948-49	0	298156
1949-50	0	298156
1950-51	0	298156
1951-52	9723	307879
1952-53	3643	311522
1953-54	4332	315854
1954-55	0	315854
1955-56	4501	320355
1956-57	2530	322885
1957-58	5066	327951
1958-59	749	328700
1959-60	1057	329757
1960-61	8180	337937
1961-62	10355	348292
1962-63	6333	354625
1963-64	783	355408
1964-65	0	355408
1965-66	44564	399972
1966-67	7781	407753
1967-68	480	408233
1968-69	48361	456594
1969-70	0	456594
1970-71	8072	464666
1971-72	0	464666
1972-73	10052	474718
1973-74	0	474718
1974-75	0	474718
1975-76	10481	485199
1976-77	29377	514576
1977-78	140584	655160
1978-79	3903	659063
1979-80	23658	682721
1980-81	264	682985
1981-82	2366	685351
1982-83	28467	713818
1983-84	0	713818
1984-85	0	713818
1985-86	0	713818

DEBRIS BASIN - YEARLY DEBRIS PRODUCTION SUMMARY**PICKENS**

Season	CY Production	Cumulative of CY Production
1986-87	0	713818
1987-88	2298	716116
1988-89	0	716116
1989-90	0	716116
1990-91	0	716116
1991-92	15167	731283
1992-93	0	731283
1993-94	1027	732310
1994-95	980	733290
1995-96	0	733290
1996-97	0	733290
1997-98	100	733390
1998-99	0	733390
1999-00	0	733390
2000-01	5600	738990
2001-02	0	738990
2002-03	0	738990
2003-04	0	738990
2004-05	23562	762552
2005-06	0	762552

DEBRIS BASIN - YEARLY DEBRIS PRODUCTION SUMMARY**PINELAWN**

Season	CY Production	Cumulative of CY Production
1973-74	0	46
1974-75	154	200
1975-76	1064	1264
1976-77	1199	2463
1977-78	1096	3559
1978-79	0	3559
1979-80	943	4502
1980-81	179	4681
1981-82	0	4681
1982-83	478	5159
1983-84	0	5159
1984-85	0	5159
1985-86	0	5159
1986-87	0	5159
1987-88	0	5159
1988-89	0	5159
1989-90	0	5159
1990-91	0	5159
1991-92	145	5304
1992-93	0	5304
1993-94	51	5355
1994-95	200	5555
1995-96	0	5555
1996-97	0	5555
1997-98	20	5575
1998-99	0	5575
1999-00	0	5575
2000-01	0	5575
2001-02	0	5575
2002-03	0	5575
2003-04	0	5575
2004-05	0	5575
2005-06	0	5575

DEBRIS BASIN - YEARLY DEBRIS PRODUCTION SUMMARY**ROWLEY LOWER**

Season	CY Production	Cumulative of CY Production
1953-54	Negligible	0
1954-55	1048	1048
1955-56	0	1048
1956-57	900	1948
1957-58	1499	3447
1958-59	0	3447
1959-60	0	3447
1960-61	333	3780
1961-62	1142	4922
1962-63	0	4922
1963-64	0	4922
1964-65	0	4922
1965-66	3881	8803
1966-67	4244	13047
1967-68	291	13338
1968-69	11347	24685
1969-70	0	24685
1970-71	2156	26841
1971-72	0	26841
1972-73	0	26841
1973-74	0	26841
1974-75	0	26841
1975-76	15895	42736
1976-77	4626	47362
1977-78	16659	64021
1978-79	0	64021
1979-80	1833	65854
1980-81	0	65854
1981-82	0	65854
1982-83	4668	70522
1983-84	0	70522
1984-85	0	70522
1985-86	4712	75234
1986-87	0	75234
1987-88	976	76210
1988-89	0	76210
1989-90	0	76210
1990-91	0	76210
1991-92	1411	77621
1992-93	0	77621
1993-94	617	78238
1994-95	1000	79238
1995-96	0	79238
1996-97	0	79238
1997-98	550	79788
1998-99	0	79788
1999-00	0	79788
2000-01	1385	81173
2001-02	0	81173
2002-03	0	81173
2003-04	0	81173

DEBRIS BASIN - YEARLY DEBRIS PRODUCTION SUMMARY**ROWLEY LOWER**

Season	CY Production	Cumulative of CY Production
2004-05	0	81173
2005-06	0	81173

DEBRIS BASIN - YEARLY DEBRIS PRODUCTION SUMMARY**ROWLEY (UPPER)**

Season	CY Production	Cumulative of CY Production
1976-77	8811	8811
1977-78	31884	40695
1978-79	1009	41704
1979-80	5644	47348
1980-81	0	47348
1981-82	0	47348
1982-83	972	48320
1983-84	0	48320
1984-85	0	48320
1985-86	0	48320
1986-87	0	48320
1987-88	357	48677
1988-89	0	48677
1989-90	0	48677
1990-91	0	48677
1991-92	1287	49964
1992-93	1499	51463
1993-94	0	51463
1994-95	0	51463
1995-96	0	51463
1996-97	0	51463
1997-98	0	51463
1998-99	0	51463
1999-00	0	51463
2000-01	1557	53020
2001-02	0	53020
2002-03	0	53020
2003-04	0	53020
2004-05	0	53020
2005-06	0	53020

DEBRIS BASIN - YEARLY DEBRIS PRODUCTION SUMMARY
--

RUBIO

Season	CY Production	Cumulative of CY Production
1943-44	5200	5200
1944-45	0	5200
1945-46	4350	9550
1946-47	684	10234
1947-48	0	10234
1948-49	0	10234
1949-50	0	10234
1950-51	0	10234
1951-52	5135	15369
1952-53	0	15369
1953-54	0	15369
1954-55	0	15369
1955-56	0	15369
1956-57	0	15369
1957-58	2812	18181
1958-59	507	18688
1959-60	0	18688
1960-61	0	18688
1961-62	577	19265
1962-63	5013	24278
1963-64	0	24278
1964-65	11170	35448
1965-66	11064	46512
1966-67	12053	58565
1967-68	0	58565
1968-69	55029	113594
1969-70	892	114486
1970-71	0	114486
1971-72	0	114486
1972-73	19374	133860
1973-74	1330	135190
1974-75	0	135190
1975-76	0	135190
1976-77	3781	138971
1977-78	6806	145777
1978-79	0	145777
1979-80	133045	278822
1980-81	0	278822
1981-82	2515	281337
1982-83	21352	302689
1983-84	0	302689
1984-85	0	302689
1985-86	0	302689
1986-87	0	302689
1987-88	0	302689
1988-89	0	302689
1989-90	0	302689
1990-91	0	302689
1991-92	14554	317243
1992-93	0	317243
1993-94	25034	342277

DEBRIS BASIN - YEARLY DEBRIS PRODUCTION SUMMARY**RUBIO**

Season	CY Production	Cumulative of CY Production
1994-95	34888	377165
1995-96	0	377165
1996-97	0	377165
1997-98	0	377165
1998-99	0	377165
1999-00	0	377165
2000-01	0	377165
2001-02	0	377165
2002-03	0	377165
2003-04	0	377165
2004-05	47324	424489
2005-06	0	424489

DEBRIS BASIN - YEARLY DEBRIS PRODUCTION SUMMARY**RUBY LOWER**

Season	CY Production	Cumulative of CY Production
1955-56	Unknown	0
1956-57	820	820
1957-58	740	1560
1958-59	150	1710
1959-60	0	1710
1960-61	26	1736
1961-62	1626	3362
1962-63	355	3717
1963-64	0	3717
1964-65	0	3717
1965-66	0	3717
1966-67	2462	6179
1967-68	322	6501
1968-69	8302	14803
1969-70	629	15432
1970-71	0	15432
1971-72	0	15432
1972-73	1371	16803
1973-74	0	16803
1974-75	0	16803
1975-76	0	16803
1976-77	0	16803
1977-78	226	17029
1978-79	98	17127
1979-80	3312	20439
1980-81	9	20448
1981-82	0	20448
1982-83	0	20448
1983-84	0	20448
1984-85	0	20448
1985-86	0	20448
1986-87	0	20448
1987-88	0	20448
1988-89	0	20448
1989-90	0	20448
1990-91	0	20448
1991-92	0	20448
1992-93	984	21432
1993-94	0	21432
1994-95	0	21432
1995-96	0	21432
1996-97	0	21432
1997-98	0	21432
1998-99	0	21432
1999-00	0	21432
2000-01	290	21722
2001-02	0	21722
2002-03	0	21722
2003-04	0	21722
2004-05	0	21722
2005-06	0	21722

DEBRIS BASIN - YEARLY DEBRIS PRODUCTION SUMMARY**RYE**

Season	CY Production	Cumulative of CY Production
1981-82	10049	10049
1982-83	370	10419
1983-84	0	10419
1984-85	0	10419
1985-86	19	10438
1986-87	0	10438
1987-88	0	10438
1988-89	0	10438
1989-90	0	10438
1990-91	0	10438
1991-92	3158	13596
1992-93	2171	15767
1993-94	0	15767
1994-95	1956	17723
1995-96	0	17723
1996-97	1700	19423
1997-98	100	19523
1998-99	96	19619
1999-00	0	19619
2000-01	0	19619
2001-02	0	19619
2002-03	0	19619
2003-04	0	19619
2004-05	0	19619
2005-06	0	19619

DEBRIS BASIN - YEARLY DEBRIS PRODUCTION SUMMARY**SADDLEBACK**

Season	CY Production	Cumulative of CY Production
1990-91	0	0
1991-92	0	500
1992-93	20	520
1993-94	0	520
1994-95	2440	2960
1995-96	1060	4020
1996-97	0	4020
1997-98	0	4020
1998-99	0	4020
1999-00	0	4020
2000-01	990	5010
2001-02	0	5010
2002-03	0	5010
2003-04	0	5010
2004-05	0	5010
2005-06	0	5010

DEBRIS BASIN - YEARLY DEBRIS PRODUCTION SUMMARY**SANTA ANITA**

Season	CY Production	Cumulative of CY Production
1959-60	15040	15040
1960-61	0	15040
1961-62	132001	147041
1962-63	31452	178493
1963-64	2419	180912
1964-65	28645	209557
1965-66	32576	242133
1966-67	71522	313655
1967-68	6448	320103
1968-69	131873	451976
1969-70	31298	483274
1970-71	0	483274
1971-72	43960	527234
1972-73	32266	559500
1973-74	2421	561921
1974-75	0	561921
1975-76	39	561960
1976-77	0	561960
1977-78	154762	716722
1978-79	0	716722
1979-80	40579	757301
1980-81	4079	761380
1981-82	8292	769672
1982-83	171176	940848
1983-84	0	940848
1984-85	0	940848
1985-86	0	940848
1986-87	0	940848
1987-88	0	940848
1988-89	0	940848
1989-90	0	940848
1990-91	0	940848
1991-92	12405	953253
1992-93	53594	1006847
1993-94	0	1006847
1994-95	0	1006847
1995-96	0	1006847
1996-97	0	1006847
1997-98	0	1006847
1998-99	0	1006847
1999-00	34292	1041139
2000-01	0	1041139
2001-02	0	1041139
2002-03	0	1041139
2003-04	0	1041139
2004-05	0	1041139
2005-06	0	1041139

DEBRIS BASIN - YEARLY DEBRIS PRODUCTION SUMMARY**SAWPIT**

Season	CY Production	Cumulative of CY Production
1954-55	Negligible	0
1955-56	9600	9600
1956-57	1000	10600
1957-58	21668	32268
1958-59	69110	101378
1959-60	16903	118281
1960-61	2690	120971
1961-62	68007	188978
1962-63	5124	194102
1963-64	6947	201049
1964-65	12997	214046
1965-66	35776	249822
1966-67	16247	266069
1967-68	9299	275368
1968-69	233834	509202
1969-70	2685	511887
1970-71	0	511887
1971-72	0	511887
1972-73	37075	548962
1973-74	4063	553025
1974-75	0	553025
1975-76	0	553025
1976-77	0	553025
1977-78	21915	574940
1978-79	0	574940
1979-80	56363	631303
1980-81	7638	638941
1981-82	11353	650294
1982-83	33187	683481
1983-84	0	683481
1984-85	0	683481
1985-86	0	683481
1986-87	0	683481
1987-88	1459	684940
1988-89	0	684940
1989-90	0	684940
1990-91	0	684940
1991-92	8788	693728
1992-93	18401	712129
1993-94	0	712129
1994-95	11651	723780
1995-96	0	723780
1996-97	0	723780
1997-98	0	723780
1998-99	0	723780
1999-00	0	723780
2000-01	18300	742080
2001-02	0	742080
2002-03	0	742080
2003-04	0	742080
2004-05	0	742080

DEBRIS BASIN - YEARLY DEBRIS PRODUCTION SUMMARY**SAWPIT**

Season	CY Production	Cumulative of CY Production
2005-06	0	742080

DEBRIS BASIN - YEARLY DEBRIS PRODUCTION SUMMARY
--

SCHOLL

Season	CY Production	Cumulative of CY Production
1945-46	0	0
1946-47	682	682
1947-48	0	682
1948-49	0	682
1949-50	0	682
1950-51	0	682
1951-52	0	682
1952-53	3094	3776
1953-54	0	3776
1954-55	0	3776
1955-56	0	3776
1956-57	0	3776
1957-58	644	4420
1958-59	1164	5584
1959-60	0	5584
1960-61	0	5584
1961-62	0	5584
1962-63	683	6267
1963-64	0	6267
1964-65	0	6267
1965-66	1015	7282
1966-67	1020	8302
1967-68	1655	9957
1968-69	3457	13414
1969-70	0	13414
1970-71	0	13414
1971-72	0	13414
1972-73	573	13987
1973-74	555	14542
1974-75	0	14542
1975-76	204	14746
1976-77	330	15076
1977-78	52	15128
1978-79	0	15128
1979-80	816	15944
1980-81	145	16089
1981-82	0	16089
1982-83	0	16089
1983-84	0	16089
1984-85	0	16089
1985-86	0	16089
1986-87	614	16703
1987-88	0	16703
1988-89	0	16703
1989-90	0	16703
1990-91	1334	18037
1991-92	0	18037
1992-93	130	18167
1993-94	0	18167
1994-95	1778	19945
1995-96	0	19945

DEBRIS BASIN - YEARLY DEBRIS PRODUCTION SUMMARY**SCHOLL**

Season	CY Production	Cumulative of CY Production
1996-97	0	19945
1997-98	550	20495
1998-99	0	20495
1999-00	0	20495
2000-01	0	20495
2001-02	0	20495
2002-03	0	20495
2003-04	0	20495
2004-05	1819	22314
2005-06	1819	22314

DEBRIS BASIN - YEARLY DEBRIS PRODUCTION SUMMARY
--

SCHOOLHOUSE

Season	CY Production	Cumulative of CY Production
1962-63	21627	21627
1963-64	0	21627
1964-65	0	21627
1965-66	5118	26745
1966-67	1083	27828
1967-68	0	27828
1968-69	1588	29416
1969-70	0	29416
1970-71	0	29416
1971-72	0	29416
1972-73	2552	31968
1973-74	0	31968
1974-75	0	31968
1975-76	0	31968
1976-77	0	31968
1977-78	1582	33550
1978-79	0	33550
1979-80	0	33550
1980-81	0	33550
1981-82	0	33550
1982-83	0	33550
1983-84	0	33550
1984-85	0	33550
1985-86	0	33550
1986-87	0	33550
1987-88	0	33550
1988-89	0	33550
1989-90	0	33550
1990-91	0	33550
1991-92	781	34331
1992-93	0	34331
1993-94	160	34491
1994-95	0	34491
1995-96	0	34491
1996-97	0	34491
1997-98	0	34491
1998-99	0	34491
1999-00	0	34491
2000-01	0	34491
2001-02	0	34491
2002-03	0	34491
2003-04	0	34491
2004-05	0	34491
2005-06	0	34491

DEBRIS BASIN - YEARLY DEBRIS PRODUCTION SUMMARY**SCHWARTZ**

Season	CY Production	Cumulative of CY Production
1976-77	4292	4292
1977-78	23359	27651
1978-79	0	27651
1979-80	7987	35638
1980-81	554	36192
1981-82	984	37176
1982-83	7739	44915
1983-84	0	44915
1984-85	0	44915
1985-86	0	44915
1986-87	267	45182
1987-88	0	45182
1988-89	0	45182
1989-90	0	45182
1990-91	0	45182
1991-92	0	45182
1992-93	0	45182
1993-94	394	45576
1994-95	0	45576
1995-96	0	45576
1996-97	0	45576
1997-98	0	45576
1998-99	0	45576
1999-00	0	45576
2000-01	0	45576
2001-02	0	45576
2002-03	0	45576
2003-04	0	45576
2004-05	0	45576
2005-06	0	45576

DEBRIS BASIN - YEARLY DEBRIS PRODUCTION SUMMARY**SHIELDS**

Season	CY Production	Cumulative of CY Production
1937-38	35147	35147
1938-39	4390	39537
1939-40	0	39537
1940-41	9444	48981
1941-42	0	48981
1942-43	5440	54421
1943-44	1009	55430
1944-45	233	55663
1945-46	458	56121
1946-47	21	56142
1947-48	0	56142
1948-49	0	56142
1949-50	0	56142
1950-51	0	56142
1951-52	13373	69515
1952-53	0	69515
1953-54	7	69522
1954-55	0	69522
1955-56	500	70022
1956-57	190	70212
1957-58	801	71013
1958-59	5426	76439
1959-60	0	76439
1960-61	0	76439
1961-62	1060	77499
1962-63	0	77499
1963-64	0	77499
1964-65	2399	79898
1965-66	9320	89218
1966-67	6004	95222
1967-68	1248	96470
1968-69	3333	99803
1969-70	444	100247
1970-71	0	100247
1971-72	0	100247
1972-73	2621	102868
1973-74	0	102868
1974-75	0	102868
1975-76	5748	108616
1976-77	6666	115282
1977-78	12768	128050
1978-79	0	128050
1979-80	3317	131367
1980-81	0	131367
1981-82	641	132008
1982-83	110	132118
1983-84	0	132118
1984-85	0	132118
1985-86	0	132118
1986-87	1717	133835
1987-88	0	133835

DEBRIS BASIN - YEARLY DEBRIS PRODUCTION SUMMARY**SHIELDS**

Season	CY Production	Cumulative of CY Production
1988-89	0	133835
1989-90	410	134245
1990-91	0	134245
1991-92	0	134245
1992-93	10	134255
1993-94	0	134255
1994-95	0	134255
1995-96	0	134255
1996-97	0	134255
1997-98	0	134255
1998-99	15000	149255
1999-00	0	149255
2000-01	0	149255
2001-02	14100	163355
2002-03	0	163355
2003-04	0	163355
2004-05	0	163355
2005-06	0	163355

DEBRIS BASIN - YEARLY DEBRIS PRODUCTION SUMMARY**SIERRA MADRE DAM**

Season	CY Production	Cumulative of CY Production
1937-38	0	0
1938-39	0	0
1939-40	0	0
1940-41	0	0
1941-42	0	0
1942-43	6500	6500
1943-44	3100	9600
1944-45	190	9790
1945-46	0	9790
1946-47	0	9790
1947-48	0	9790
1948-49	0	9790
1949-50	0	9790
1950-51	0	9790
1951-52	5518	15308
1952-53	0	15308
1953-54	79629	94937
1954-55	0	94937
1955-56	3330	98267
1956-57	0	98267
1957-58	3400	101667
1958-59	300	101967
1959-60	0	101967
1960-61	0	101967
1961-62	11503	113470
1962-63	140	113610
1963-64	0	113610
1964-65	0	113610
1965-66	1736	115346
1966-67	0	115346
1967-68	2299	117645
1968-69	95170	212815
1969-70	16048	228863
1970-71	0	228863
1971-72	0	228863
1972-73	10082	238945
1973-74	0	238945
1974-75	0	238945
1975-76	0	238945
1976-77	0	238945
1977-78	23072	262017
1978-79	281	262298
1979-80	30543	292841
1980-81	0	292841
1981-82	0	292841
1982-83	2470	295311
1983-84	0	295311
1984-85	0	295311
1985-86	0	295311
1986-87	0	295311
1987-88	0	295311

DEBRIS BASIN - YEARLY DEBRIS PRODUCTION SUMMARY**SIERRA MADRE DAM**

Season	CY Production	Cumulative of CY Production
1988-89	0	295311
1989-90	0	295311
1990-91	2193	297504
1991-92	0	297504
1992-93	0	297504
1993-94	0	297504
1994-95	8434	305938
1995-96	0	305938
1996-97	0	305938
1997-98	16187	322125
1998-99	0	322125
1999-00	0	322125
2000-01	4080	326205
2001-02	0	326205
2002-03	0	326205
2003-04	0	326205
2004-05	0	326205
2005-06	10030	336235

DEBRIS BASIN - YEARLY DEBRIS PRODUCTION SUMMARY**SIERRA MADRE VILLA**

Season	CY Production	Cumulative of CY Production
1957-58	0	0
1958-59	1178	1178
1959-60	0	1178
1960-61	0	1178
1961-62	118612	119790
1962-63	12415	132205
1963-64	4453	136658
1964-65	0	136658
1965-66	51336	187994
1966-67	13233	201227
1967-68	36369	237596
1968-69	101487	339083
1969-70	0	339083
1970-71	0	339083
1971-72	0	339083
1972-73	49322	388405
1973-74	0	388405
1974-75	0	388405
1975-76	0	388405
1976-77	0	388405
1977-78	11744	400149
1978-79	0	400149
1979-80	93765	493914
1980-81	0	493914
1981-82	5819	499733
1982-83	0	499733
1983-84	0	499733
1984-85	0	499733
1985-86	0	499733
1986-87	0	499733
1987-88	8968	508701
1988-89	0	508701
1989-90	0	508701
1990-91	0	508701
1991-92	0	508701
1992-93	39279	547980
1993-94	171775	719755
1994-95	54667	774422
1995-96	9080	783502
1996-97	0	783502
1997-98	300	783802
1998-99	0	783802
1999-00	0	783802
2000-01	11020	794822
2001-02	0	794822
2002-03	0	794822
2003-04	0	794822
2004-05	0	794822
2005-06	0	794822

DEBRIS BASIN - YEARLY DEBRIS PRODUCTION SUMMARY**SNOVER**

Season	CY Production	Cumulative of CY Production
1937-38	16689	16689
1938-39	21091	37780
1939-40	0	37780
1940-41	3312	41092
1941-42	0	41092
1942-43	5852	46944
1943-44	317	47261
1944-45	491	47752
1945-46	0	47752
1946-47	122	47874
1947-48	0	47874
1948-49	0	47874
1949-50	0	47874
1950-51	0	47874
1951-52	2834	50708
1952-53	0	50708
1953-54	0	50708
1954-55	0	50708
1955-56	0	50708
1956-57	1100	51808
1957-58	2175	53983
1958-59	701	54684
1959-60	0	54684
1960-61	1181	55865
1961-62	680	56545
1962-63	0	56545
1963-64	0	56545
1964-65	0	56545
1965-66	1444	57989
1966-67	1176	59165
1967-68	0	59165
1968-69	11173	70338
1969-70	0	70338
1970-71	0	70338
1971-72	0	70338
1972-73	1911	72249
1973-74	0	72249
1974-75	0	72249
1975-76	0	72249
1976-77	874	73123
1977-78	16719	89842
1978-79	35	89877
1979-80	4124	94001
1980-81	0	94001
1981-82	3546	97547
1982-83	5494	103041
1983-84	0	103041
1984-85	0	103041
1985-86	0	103041
1986-87	0	103041
1987-88	103	103144

DEBRIS BASIN - YEARLY DEBRIS PRODUCTION SUMMARY**SNOVER**

Season	CY Production	Cumulative of CY Production
1988-89	0	103144
1989-90	0	103144
1990-91	0	103144
1991-92	3483	106627
1992-93	0	106627
1993-94	0	106627
1994-95	480	107107
1995-96	0	107107
1996-97	0	107107
1997-98	0	107107
1998-99	0	107107
1999-00	1944	109051
2000-01	0	109051
2001-02	0	109051
2002-03	0	109051
2003-04	0	109051
2004-05	0	109051
2005-06	4360	113411

DEBRIS BASIN - YEARLY DEBRIS PRODUCTION SUMMARY**SOMBRERO**

Season	CY Production	Cumulative of CY Production
1969-70	0	0
1970-71	0	0
1971-72	0	0
1972-73	0	0
1973-74	0	0
1974-75	0	0
1975-76	0	0
1976-77	0	0
1977-78	3326	3326
1978-79	0	3326
1979-80	0	3326
1980-81	0	3326
1981-82	0	3326
1982-83	978	4304
1983-84	0	4304
1984-85	1558	5862
1985-86	0	5862
1986-87	0	5862
1987-88	168	6030
1988-89	0	6030
1989-90	0	6030
1990-91	7	6037
1991-92	0	6037
1992-93	5525	11562
1993-94	300	11862
1994-95	2500	14362
1995-96	0	14362
1996-97	0	14362
1997-98	0	14362
1998-99	9533	23895
1999-00	0	23895
2000-01	15696	39591
2001-02	7196	46787
2002-03	0	46787
2003-04	0	46787
2004-05	0	46787
2005-06	0	46787

DEBRIS BASIN - YEARLY DEBRIS PRODUCTION SUMMARY**SPINKS**

Season	CY Production	Cumulative of CY Production
1958-59	13519	13519
1959-60	0	13519
1960-61	0	13519
1961-62	2635	16154
1962-63	1834	17988
1963-64	0	17988
1964-65	0	17988
1965-66	1936	19924
1966-67	4090	24014
1967-68	358	24372
1968-69	16361	40733
1969-70	0	40733
1970-71	323	41056
1971-72	0	41056
1972-73	0	41056
1973-74	0	41056
1974-75	0	41056
1975-76	0	41056
1976-77	0	41056
1977-78	3481	44537
1978-79	0	44537
1979-80	9385	53922
1980-81	7694	61616
1981-82	0	61616
1982-83	3083	64699
1983-84	2317	67016
1984-85	0	67016
1985-86	0	67016
1986-87	0	67016
1987-88	0	67016
1988-89	5327	72343
1989-90	0	72343
1990-91	0	72343
1991-92	1100	73443
1992-93	373	73816
1993-94	0	73816
1994-95	836	74652
1995-96	54	74706
1996-97	0	74706
1997-98	0	74706
1998-99	0	74706
1999-00	0	74706
2000-01	250	74956
2001-02	0	74956
2002-03	0	74956
2003-04	0	74956
2004-05	0	74956
2005-06	0	74956

DEBRIS BASIN - YEARLY DEBRIS PRODUCTION SUMMARY
--

STARFALL

Season	CY Production	Cumulative of CY Production
1973-74	0	0
1974-75	1768	1768
1975-76	3557	5325
1976-77	4375	9700
1977-78	14194	23894
1978-79	31	23925
1979-80	982	24907
1980-81	80	24987
1981-82	0	24987
1982-83	0	24987
1983-84	0	24987
1984-85	0	24987
1985-86	0	24987
1986-87	0	24987
1987-88	139	25126
1988-89	0	25126
1989-90	0	25126
1990-91	0	25126
1991-92	1902	27028
1992-93	80	27108
1993-94	0	27108
1994-95	13	27121
1995-96	0	27121
1996-97	0	27121
1997-98	0	27121
1998-99	0	27121
1999-00	0	27121
2000-01	0	27121
2001-02	0	27121
2002-03	0	27121
2003-04	0	27121
2004-05	0	27121
2005-06	0	27121

DEBRIS BASIN - YEARLY DEBRIS PRODUCTION SUMMARY
--

STETSON

Season	CY Production	Cumulative of CY Production
1969-70	1119	1119
1970-71	0	1119
1971-72	0	1119
1972-73	0	1119
1973-74	0	1119
1974-75	0	1119
1975-76	0	1119
1976-77	0	1119
1977-78	1547	2666
1978-79	0	2666
1979-80	1407	4073
1980-81	0	4073
1981-82	0	4073
1982-83	0	4073
1983-84	0	4073
1984-85	0	4073
1985-86	0	4073
1986-87	0	4073
1987-88	0	4073
1988-89	0	4073
1989-90	0	4073
1990-91	0	4073
1991-92	14161	18234
1992-93	1918	20152
1993-94	338	20490
1994-95	600	21090
1995-96	0	21090
1996-97	0	21090
1997-98	300	21390
1998-99	0	21390
1999-00	0	21390
2000-01	1760	23150
2001-02	0	23150
2002-03	0	23150
2003-04	0	23150
2004-05	0	23150
2005-06	0	23150

DEBRIS BASIN - YEARLY DEBRIS PRODUCTION SUMMARY**STOUGH**

Season	CY Production	Cumulative of CY Production
1940-41	29577	29577
1941-42	0	29577
1942-43	4153	33730
1943-44	7550	41280
1944-45	4678	45958
1945-46	0	45958
1946-47	0	45958
1947-48	0	45958
1948-49	0	45958
1949-50	0	45958
1950-51	0	45958
1951-52	16664	62622
1952-53	0	62622
1953-54	0	62622
1954-55	1393	64015
1955-56	0	64015
1956-57	0	64015
1957-58	7779	71794
1958-59	3362	75156
1959-60	0	75156
1960-61	0	75156
1961-62	884	76040
1962-63	0	76040
1963-64	0	76040
1964-65	44133	120173
1965-66	7279	127452
1966-67	2141	129593
1967-68	0	129593
1968-69	2246	131839
1969-70	0	131839
1970-71	0	131839
1971-72	0	131839
1972-73	0	131839
1973-74	0	131839
1974-75	0	131839
1975-76	0	131839
1976-77	0	131839
1977-78	15347	147186
1978-79	1685	148871
1979-80	0	148871
1980-81	10272	159143
1981-82	0	159143
1982-83	0	159143
1983-84	0	159143
1984-85	0	159143
1985-86	0	159143
1986-87	0	159143
1987-88	2005	161148
1988-89	0	161148
1989-90	0	161148
1990-91	0	161148

DEBRIS BASIN - YEARLY DEBRIS PRODUCTION SUMMARY**STOUGH**

Season	CY Production	Cumulative of CY Production
1991-92	1044	162192
1992-93	627	162819
1993-94	0	162819
1994-95	0	162819
1995-96	0	162819
1996-97	0	162819
1997-98	0	162819
1998-99	0	162819
1999-00	0	162819
2000-01	4790	167609
2001-02	0	167609
2002-03	0	167609
2003-04	0	167609
2004-05	0	167609
2005-06	0	167609

DEBRIS BASIN - YEARLY DEBRIS PRODUCTION SUMMARY**STURTEVANT**

Season	CY Production	Cumulative of CY Production
1967-68	0	0
1968-69	298	298
1969-70	55	353
1970-71	0	353
1971-72	0	353
1972-73	0	353
1973-74	0	353
1974-75	0	353
1975-76	272	625
1976-77	0	625
1977-78	457	1082
1978-79	0	1082
1979-80	139	1221
1980-81	0	1221
1981-82	54	1275
1982-83	21	1296
1983-84	0	1296
1984-85	0	1296
1985-86	0	1296
1986-87	0	1296
1987-88	25	1321
1988-89	0	1321
1989-90	0	1321
1990-91	0	1321
1991-92	0	1321
1992-93	28	1349
1993-94	0	1349
1994-95	22	1371
1995-96	0	1371
1996-97	0	1371
1997-98	0	1371
1998-99	0	1371
1999-00	0	1371
2000-01	20	1391
2001-02	0	1391
2002-03	0	1391
2003-04	0	1391
2004-05	0	1391
2005-06	0	1391

DEBRIS BASIN - YEARLY DEBRIS PRODUCTION SUMMARY**SULLIVAN**

Season	CY Production	Cumulative of CY Production
1970-71	N	N
1971-72	N	
1972-73	6738	6738
1973-74	1569	8307
1974-75	93	8400
1975-76	0	8400
1976-77	0	8400
1977-78	21077	29477
1978-79	7220	36697
1979-80	35339	72036
1980-81	260	72296
1981-82	211	72507
1982-83	16957	89464
1983-84	0	89464
1984-85	422	89886
1985-86	0	89886
1986-87	0	89886
1987-88	0	89886
1988-89	0	89886
1989-90	0	89886
1990-91	0	89886
1991-92	3995	93881
1992-93	0	93881
1993-94	0	93881
1994-95	29800	123681
1995-96	0	123681
1996-97	0	123681
1997-98	6500	130181
1998-99	0	130181
1999-00	0	130181
2000-01	0	130181
2001-02	0	130181
2002-03	0	130181
2003-04	0	130181
2004-05	47000	177181
2005-06	0	177181

DEBRIS BASIN - YEARLY DEBRIS PRODUCTION SUMMARY
--

SUNNYSIDE

Season	CY Production	Cumulative of CY Production
1970-71	N	N
1971-72	N	
1972-73	103	103
1973-74	0	103
1974-75	0	103
1975-76	0	103
1976-77	0	103
1977-78	258	361
1978-79	819	1180
1979-80	502	1682
1980-81	67	1749
1981-82	0	1749
1982-83	33	1782
1983-84	0	1782
1984-85	0	1782
1985-86	0	1782
1986-87	0	1782
1987-88	15	1797
1988-89	0	1797
1989-90	0	1797
1990-91	0	1797
1991-92	15	1812
1992-93	0	1812
1993-94	1621	3433
1994-95	714	4147
1995-96	125	4272
1996-97	0	4272
1997-98	25	4297
1998-99	0	4297
1999-00	0	4297
2000-01	54	4351
2001-02	0	4351
2002-03	0	4351
2003-04	0	4351
2004-05	0	4351
2005-06	0	4351

DEBRIS BASIN - YEARLY DEBRIS PRODUCTION SUMMARY**SUNSET CANYON-DEER**

Season	CY Production	Cumulative of CY Production
1942-43	1000	1000
1943-44	200	1200
1983-84	3678	4878
1984-85	0	4878
1985-86	0	4878
1986-87	0	4878
1987-88	0	4878
1988-89	0	4878
1989-90	0	4878
1990-91	0	4878
1991-92	397	5275
1992-93	141	5416
1993-94	0	5416
1994-95	37	5453
1995-96	0	5453
1996-97	0	5453
1997-98	35	5488
1998-99	0	5488
1999-00	0	5488
2000-01	100	5588
2001-02	0	5588
2002-03	0	5588
2003-04	0	5588
2004-05	0	5588
2005-06	0	5588

DEBRIS BASIN - YEARLY DEBRIS PRODUCTION SUMMARY**SUNSET LOWER**

Season	CY Production	Cumulative of CY Production
1943-44	0	
1944-45	120	120
1945-46	140	260
1946-47	0	260
1947-48	0	260
1948-49	0	260
1949-50	0	260
1950-51	0	260
1951-52	3405	3665
1952-53	0	3665
1953-54	0	3665
1954-55	0	3665
1955-56	0	3665
1956-57	800	4465
1957-58	1500	5965
1958-59	2010	7975
1959-60	0	7975
1960-61	219	8194
1961-62	1147	9341
1962-63	0	9341
1963-64	0	9341
1964-65	35290	44631
1965-66	14726	59357
1966-67	1200	60557
1967-68	0	60557
1968-69	11540	72097
1969-70	0	72097
1970-71	1754	73851
1971-72	0	73851
1972-73	0	73851
1973-74	0	73851
1974-75	0	73851
1975-76	0	73851
1976-77	0	73851
1977-78	23132	96983
1978-79	741	97724
1979-80	9783	107507
1980-81	29164	136671
1981-82	3000	139671
1982-83	3527	143198
1983-84	0	143198
1984-85	0	143198
1985-86	5575	148773
1986-87	0	148773
1987-88	0	148773
1988-89	0	148773
1989-90	0	148773
1990-91	0	148773
1991-92	292	149065
1992-93	0	149065
1993-94	0	149065

DEBRIS BASIN - YEARLY DEBRIS PRODUCTION SUMMARY**SUNSET LOWER**

Season	CY Production	Cumulative of CY Production
1994-95	0	149065
1995-96	0	149065
1996-97	0	149065
1997-98	8950	158015
1998-99	0	158015
1999-00	0	158015
2000-01	0	158015
2001-02	0	158015
2002-03	0	158015
2003-04	0	158015
2004-05	0	158015
2005-06	11124	169139

DEBRIS BASIN - YEARLY DEBRIS PRODUCTION SUMMARY**SUNSET UPPER**

Season	CY Production	Cumulative of CY Production
1941-42	12358	12358
1942-43	0	12358
1943-44	1181	13539
1944-45	124	13663
1945-46	144	13807
1946-47	0	13807
1947-48	0	13807
1948-49	0	13807
1949-50	0	13807
1950-51	0	13807
1951-52	3400	17207
1952-53	0	17207
1953-54	0	17207
1954-55	0	17207
1955-56	0	17207
1956-57	800	18007
1957-58	1503	19510
1958-59	2009	21519
1959-60	0	21519
1960-61	0	21519
1961-62	0	21519
1962-63	1366	22885
1963-64	2329	25214
1964-65	27037	52251
1965-66	8863	61114
1966-67	1073	62187
1967-68	1736	63923
1968-69	10905	74828
1969-70	3672	78500
1970-71	0	78500
1971-72	0	78500
1972-73	1931	80431
1973-74	0	80431
1974-75	346	80777
1975-76	0	80777
1976-77	1300	82077
1977-78	18910	100987
1978-79	1958	102945
1979-80	13893	116838
1980-81	15318	132156
1981-82	2182	134338
1982-83	6048	140386
1983-84	1461	141847
1984-85	0	141847
1985-86	0	141847
1986-87	0	141847
1987-88	0	141847
1988-89	0	141847
1989-90	0	141847
1990-91	0	141847
1991-92	4035	145882

DEBRIS BASIN - YEARLY DEBRIS PRODUCTION SUMMARY**SUNSET UPPER**

Season	CY Production	Cumulative of CY Production
1992-93	3253	149135
1993-94	0	149135
1994-95	0	149135
1995-96	0	149135
1996-97	0	149135
1997-98	0	149135
1998-99	0	149135
1999-00	0	149135
2000-01	2430	151565
2001-02	0	151565
2002-03	0	151565
2003-04	0	151565
2004-05	0	151565
2005-06	0	151565

DEBRIS BASIN - YEARLY DEBRIS PRODUCTION SUMMARY**TURNBULL**

Season	CY Production	Cumulative of CY Production
1952-53	0	0
1953-54	0	0
1954-55	1307	1307
1955-56	0	1307
1956-57	760	2067
1957-58	955	3022
1958-59	0	3022
1959-60	0	3022
1960-61	250	3272
1961-62	1918	5190
1962-63	431	5621
1963-64	0	5621
1964-65	0	5621
1965-66	786	6407
1966-67	1440	7847
1967-68	9724	17571
1968-69	15864	33435
1969-70	0	33435
1970-71	0	33435
1971-72	0	33435
1972-73	1790	35225
1973-74	0	35225
1974-75	0	35225
1975-76	0	35225
1976-77	0	35225
1977-78	2783	38008
1978-79	382	38390
1979-80	4262	42652
1980-81	111	42763
1981-82	1484	44247
1982-83	3152	47399
1983-84	882	48281
1984-85	0	48281
1985-86	1109	49390
1986-87	0	49390
1987-88	124	49514
1988-89	0	49514
1989-90	0	49514
1990-91	0	49514
1991-92	2697	52211
1992-93	14772	66983
1993-94	502	67485
1994-95	2846	70331
1995-96	400	70731
1996-97	0	70731
1997-98	0	70731
1998-99	0	70731
1999-00	0	70731
2000-01	260	70991
2001-02	0	70991
2002-03	0	70991

DEBRIS BASIN - YEARLY DEBRIS PRODUCTION SUMMARY**TURNBULL**

Season	CY Production	Cumulative of CY Production
2003-04	0	70991
2004-05	8000	78991
2005-06	0	78991

DEBRIS BASIN - YEARLY DEBRIS PRODUCTION SUMMARY
--

UPPER SHIELDS

Season	CY Production	Cumulative of CY Production
1976-77	7978	7978
1977-78	16853	24831
1978-79	0	24831
1979-80	8716	33547
1980-81	273	33820
1981-82	0	33820
1982-83	7083	40903
1983-84	24	40927
1984-85	0	40927
1985-86	0	40927
1986-87	0	40927
1987-88	0	40927
1988-89	0	40927
1989-90	0	40927
1990-91	0	40927
1991-92	3525	44452
1992-93	0	44452
1993-94	0	44452
1994-95	30	44482
1995-96	0	44482
1996-97	0	44482
1997-98	2085	46567
1998-99	0	46567
1999-00	0	46567
2000-01	100	46667
2001-02	0	46667
2002-03	0	46667
2003-04	0	46667
2004-05	0	46667
2005-06	0	46667

DEBRIS BASIN - YEARLY DEBRIS PRODUCTION SUMMARY**VERDUGO**

Season	CY Production	Cumulative of CY Production
1937-38	105364	105346
1938-39	0	105346
1939-40	0	105346
1940-41	86077	191423
1941-42	0	191423
1942-43	78378	269801
1943-44	52269	322070
1944-45	0	322070
1945-46	0	322070
1946-47	392	322462
1947-48	0	322462
1948-49	0	322462
1949-50	0	322462
1950-51	0	322462
1951-52	51636	374098
1952-53	10575	384673
1953-54	0	384673
1954-55	0	384673
1955-56	12905	397578
1956-57	2760	400338
1957-58	10075	410413
1958-59	2000	412413
1959-60	0	412413
1960-61	0	412413
1961-62	38261	450674
1962-63	3772	454446
1963-64	0	454446
1964-65	13781	468227
1965-66	36188	504415
1966-67	26805	531220
1967-68	13843	545063
1968-69	60556	605619
1969-70	2326	607945
1970-71	7285	615230
1971-72	0	615230
1972-73	20005	635235
1973-74	0	635235
1974-75	0	635235
1975-76	9279	644514
1976-77	2067	646581
1977-78	95615	742196
1978-79	0	742196
1979-80	38286	780482
1980-81	4334	784816
1981-82	0	784816
1982-83	15473	800289
1983-84	5296	805585
1984-85	0	805585
1985-86	609	806194
1986-87	0	806194
1987-88	1528	807722

DEBRIS BASIN - YEARLY DEBRIS PRODUCTION SUMMARY**VERDUGO**

Season	CY Production	Cumulative of CY Production
1988-89	0	807722
1989-90	0	807722
1990-91	0	807722
1991-92	20252	827974
1992-93	0	827974
1993-94	0	827974
1994-95	0	827974
1995-96	0	827974
1996-97	0	827974
1997-98	0	827974
1998-99	0	827974
1999-00	0	827974
2000-01	0	827974
2001-02	0	827974
2002-03	0	827974
2003-04	0	827974
2004-05	15477	843451
2005-06	39066	882517

DEBRIS BASIN - YEARLY DEBRIS PRODUCTION SUMMARY**WARD LOWER**

Season	CY Production	Cumulative of CY Production
1944-45	300	300
1945-46	0	300
1946-47	0	300
1947-48	1040	1340
1948-49	370	1710
1949-50	1147	2857
1950-51	0	2857
1951-52	12190	15047
1952-53	0	15047
1953-54	2080	17127
1954-55	1000	18127
1955-56	790	18917
1956-57	5054	23971
1957-58	5186	29157
1958-59	2821	31978
1959-60	0	31978
1960-61	185	32163
1961-62	907	33070
1962-63	497	33567
1963-64	0	33567
1964-65	0	33567
1965-66	681	34248
1966-67	176	34424
1967-68	0	34424
1968-69	3572	37996
1969-70	0	37996
1970-71	1118	39114
1971-72	0	39114
1972-73	0	39114
1973-74	0	39114
1974-75	0	39114
1975-76	624	39738
1976-77	1773	41511
1977-78	17769	59280
1978-79	402	59682
1979-80	4670	64352
1980-81	458	64810
1981-82	0	64810
1982-83	5851	70661
1983-84	0	70661
1984-85	0	70661
1985-86	0	70661
1986-87	0	70661
1987-88	0	70661
1988-89	0	70661
1989-90	0	70661
1990-91	0	70661
1991-92	0	70661
1992-93	1003	71664
1993-94	0	71664
1994-95	0	71664

DEBRIS BASIN - YEARLY DEBRIS PRODUCTION SUMMARY**WARD LOWER**

Season	CY Production	Cumulative of CY Production
1995-96	0	71664
1996-97	0	71664
1997-98	0	71664
1998-99	0	71664
1999-00	0	71664
2000-01	290	71954
2001-02	0	71954
2002-03	0	71954
2003-04	0	71954
2004-05	0	71954
2005-06	0	71954

DEBRIS BASIN - YEARLY DEBRIS PRODUCTION SUMMARY**WEST RAVINE**

Season	CY Production	Cumulative of CY Production
1935-36	19294	19294
1936-37	18316	37610
1937-38	29866	67476
1938-39	2403	69879
1939-40	504	70383
1940-41	8616	78999
1941-42	179	79178
1942-43	9884	89062
1943-44	1753	90815
1944-45	3551	94366
1945-46	637	95003
1946-47	611	95614
1947-48	8	95622
1948-49	0	95622
1949-50	0	95622
1950-51	0	95622
1951-52	4485	100107
1952-53	0	100107
1953-54	1011	101118
1954-55	0	101118
1955-56	0	101118
1956-57	0	101118
1957-58	1352	102470
1958-59	466	102936
1959-60	0	102936
1960-61	844	103780
1961-62	497	104277
1962-63	131	104408
1963-64	0	104408
1964-65	0	104408
1965-66	7607	112015
1966-67	2235	114250
1967-68	4253	118503
1968-69	15447	133950
1969-70	572	134522
1970-71	810	135332
1971-72	0	135332
1972-73	3084	138416
1973-74	367	138783
1974-75	0	138783
1975-76	1965	140748
1976-77	0	140748
1977-78	3547	144295
1978-79	564	144859
1979-80	2009	146868
1980-81	0	146868
1981-82	0	146868
1982-83	1431	148299
1983-84	0	148299
1984-85	0	148299
1985-86	0	148299

DEBRIS BASIN - YEARLY DEBRIS PRODUCTION SUMMARY**WEST RAVINE**

Season	CY Production	Cumulative of CY Production
1986-87	171	148470
1987-88	0	148470
1988-89	26	148496
1989-90	0	148496
1990-91	0	148496
1991-92	801	149297
1992-93	463	149760
1993-94	11740	161500
1994-95	11081	172581
1995-96	70	172651
1996-97	0	172651
1997-98	0	172651
1998-99	0	172651
1999-00	0	172651
2000-01	0	172651
2001-02	0	172651
2002-03	0	172651
2003-04	0	172651
2004-05	0	172651
2005-06	0	172651

DEBRIS BASIN - YEARLY DEBRIS PRODUCTION SUMMARY**WESTRIDGE**

Season	CY Production	Cumulative of CY Production
1983-84	187	187
1984-85	0	187
1985-86	0	187
1986-87	0	187
1987-88	0	187
1988-89	0	187
1989-90	0	187
1990-91	0	187
1991-92	0	187
1992-93	0	187
1993-94	0	187
1994-95	71	258
1995-96	0	258
1996-97	0	258
1997-98	0	258
1998-99	0	258
1999-00	0	258
2000-01	0	258
2001-02	0	258
2002-03	0	258
2003-04	0	258
2004-05	0	258
2005-06	0	258

DEBRIS BASIN - YEARLY DEBRIS PRODUCTION SUMMARY**WILDWOOD**

Season	CY Production	Cumulative of CY Production
1967-68	2092	2092
1968-69	15986	18078
1969-70	1199	19277
1970-71	4830	24107
1971-72	201	24308
1972-73	4013	28321
1973-74	1422	29743
1974-75	286	30029
1975-76	0	30029
1976-77	1020	31049
1977-78	16699	47748
1978-79	4433	52181
1979-80	13558	65739
1980-81	933	66672
1981-82	549	67221
1982-83	5527	72748
1983-84	0	72748
1984-85	0	72748
1985-86	0	72748
1986-87	0	72748
1987-88	911	73659
1988-89	0	73659
1989-90	0	73659
1990-91	0	73659
1991-92	13185	86844
1992-93	4706	91550
1993-94	0	91550
1994-95	5560	97110
1995-96	0	97110
1996-97	0	97110
1997-98	13500	110610
1998-99	0	110610
1999-00	0	110610
2000-01	1260	111870
2001-02	0	111870
2002-03	0	111870
2003-04	0	111870
2004-05	0	111870
2005-06	11983	123853

DEBRIS BASIN - YEARLY DEBRIS PRODUCTION SUMMARY**WILLIAM S. HART PARK**

Season	CY Production	Cumulative of CY Production
1984-85		
1985-86	321	321
1986-87	0	321
1987-88	0	321
1988-89	0	321
1989-90	0	321
1990-91	0	321
1991-92	0	321
1992-93	0	321
1993-94	0	321
1994-95	97	418
1995-96	0	418
1996-97	0	418
1997-98	0	418
1998-99	0	418
1999-00	0	418
2000-01	72	490
2001-02	0	490
2002-03	0	490
2003-04	0	490
2004-05	0	490
2005-06	0	490

DEBRIS BASIN - YEARLY DEBRIS PRODUCTION SUMMARY**WILSON**

Season	CY Production	Cumulative of CY Production
1962-63	5570	5570
1963-64	32128	37698
1964-65	5238	42936
1965-66	37233	80169
1966-67	16991	97160
1967-68	1725	98885
1968-69	55536	154421
1969-70	2817	157238
1970-71	0	157238
1971-72	0	157238
1972-73	8590	165828
1973-74	0	165828
1974-75	0	165828
1975-76	0	165828
1976-77	0	165828
1977-78	14198	180026
1978-79	0	180026
1979-80	5311	185337
1980-81	0	185337
1981-82	0	185337
1982-83	15632	200969
1983-84	0	200969
1984-85	0	200969
1985-86	0	200969
1986-87	0	200969
1987-88	0	200969
1988-89	0	200969
1989-90	0	200969
1990-91	199	201168
1991-92	14478	215646
1992-93	0	215646
1993-94	500	216146
1994-95	0	216146
1995-96	0	216146
1996-97	0	216146
1997-98	100	216246
1998-99	0	216246
1999-00	0	216246
2000-01	62830	279076
2001-02	35190	314266
2002-03	0	314266
2003-04	0	314266
2004-05	0	314266
2005-06	0	314266

DEBRIS BASIN - YEARLY DEBRIS PRODUCTION SUMMARY
--

WINERY

Season	CY Production	Cumulative of CY Production
1968-69	9394	9394
1969-70	0	9394
1970-71	0	9394
1971-72	0	9394
1972-73	1695	11089
1973-74	0	11089
1974-75	0	11089
1975-76	0	11089
1976-77	185	11274
1977-78	4927	16201
1978-79	853	17054
1979-80	1998	19052
1980-81	0	19052
1981-82	2018	21070
1982-83	1350	22420
1983-84	0	22420
1984-85	0	22420
1985-86	0	22420
1986-87	0	22420
1987-88	784	23204
1988-89	0	23204
1989-90	0	23204
1990-91	0	23204
1991-92	4078	27282
1992-93	0	27282
1993-94	0	27282
1994-95	0	27282
1995-96	0	27282
1996-97	0	27282
1997-98	0	27282
1998-99	0	27282
1999-00	0	27282
2000-01	0	27282
2001-02	0	27282
2002-03	0	27282
2003-04	0	27282
2004-05	9229	36511
2005-06	0	36511

DEBRIS BASIN - YEARLY DEBRIS PRODUCTION SUMMARY**ZACHAU**

Season	CY Production	Cumulative of CY Production
1955-56	No Inflow	0
1956-57	0	0
1957-58	1380	1380
1958-59	0	1380
1959-60	0	1380
1960-61	0	1380
1961-62	139	1519
1962-63	87	1606
1963-64	0	1606
1964-65	0	1606
1965-66	0	1606
1966-67	775	2381
1967-68	0	2381
1968-69	10291	12672
1969-70	0	12672
1970-71	0	12672
1971-72	0	12672
1972-73	0	12672
1973-74	0	12672
1974-75	0	12672
1975-76	16304	28976
1976-77	14359	43335
1977-78	48060	91395
1978-79	1419	92814
1979-80	9229	102043
1980-81	0	102043
1981-82	506	102549
1982-83	3969	106518
1983-84	0	106518
1984-85	0	106518
1985-86	0	106518
1986-87	1011	107529
1987-88	0	107529
1988-89	0	107529
1989-90	0	107529
1990-91	0	107529
1991-92	0	107529
1992-93	3451	110980
1993-94	0	110980
1994-95	0	110980
1995-96	0	110980
1996-97	0	110980
1997-98	0	110980
1998-99	0	110980
1999-00	0	110980
2000-01	1650	112630
2001-02	0	112630
2002-03	0	112630
2003-04	0	112630
2004-05	0	112630
2005-06	0	112630

APPENDIX M

HYDROLOGIC REPORT 2005 – 2006

DEBRIS BASIN – YEARLY DEBRIS PRODUCTION SUMMARY

DISCONTINUED BASINS

DEBRIS BASIN - YEARLY DEBRIS PRODUCTION SUMMARY**AFTON**

Season	CY Production	Cumulative of CY Production
1974-75	802	802
1975-76	0	802
1976-77	0	802
1977-78	208	1010
1978-79	0	1010
1979-80	0	1010
1980-81	0	1010
1981-82	0	1010
1982-83	0	1010
1983-84	0	1010
1984-85	0	1010
1985-86	0	1010
1986-87	0	1010
1987-88	0	1010
1988-89	0	1010
1989-90	0	1010

DEBRIS BASIN - YEARLY DEBRIS PRODUCTION SUMMARY**ALISO-WILBUR**

Season	CY Production	Cumulative of CY Production
1940-41	Under Construction	
1941-42	Under Construction	
1942-43	44200	44200
1943-44	37500	81700
1944-45	8840	90540
1945-46	13870	104410
1946-47	6860	111270
1947-48	6960	118230
1948-49	3280	121510
1949-50	1870	123380
1950-51	0	123380
1951-52	61687	185067
1952-53	0	185067

DEBRIS BASIN - YEARLY DEBRIS PRODUCTION SUMMARY**ALLEN RESERVOIR**

Season	CY Production	Cumulative of CY Production
1967-68		
1968-69	1100	1100

DEBRIS BASIN - YEARLY DEBRIS PRODUCTION SUMMARY**ALTADENA GOLF COURSE**

Season	CY Production	Cumulative of CY Production
1944-45	Unknown	
1945-46		
1946-47	1400	1400
1947-48	2010	3410
1948-49	1420	4830
1949-50	1657	6487
1950-51		6487
1951-52		6487
1952-53		6487
1953-54	907	7394
1954-55	497	7891
1955-56	1160	9051
1956-57	2070	11121
1957-58	5614	16735
1958-59	4149	20884
1959-60		20884
1960-61		20884
1961-62	86	20970
1962-63	107	21077
1963-64		21077
1964-65		21077
1965-66		21077
1966-67	44	21121
1967-68	0	21121
1968-69	669	21790
1969-70	0	21790
1970-71	0	21790
1971-72	0	21790
1972-73	1113	22903
1973-74	0	22903
1974-75	0	22903
1975-76	0	22903
1976-77	0	22903
1977-78	0	22903
1978-79	0	22903
1979-80	1461	24364
1980-81	0	24364
1981-82	0	24364

DEBRIS BASIN - YEARLY DEBRIS PRODUCTION SUMMARY**ANNETTE JO**

Season	CY Production	Cumulative of CY Production
1981-82		100
1982-83	200	300
1983-84	0	300
1984-85	0	300
1985-86	0	300
1986-87	0	300

DEBRIS BASIN - YEARLY DEBRIS PRODUCTION SUMMARY**BAKERTON**

Season	CY Production	Cumulative of CY Production
1982-83		
1983-84	800	800
1984-85	0	800
1985-86	0	800
1986-87	0	800
1987-88	0	800

DEBRIS BASIN - YEARLY DEBRIS PRODUCTION SUMMARY**BARCOTTA**

Season	CY Production	Cumulative of CY Production
1982-83		100
1983-84	0	100
1984-85	0	100
1985-86	2	102

DEBRIS BASIN - YEARLY DEBRIS PRODUCTION SUMMARY**BELL CREEK**

Season	CY Production	Cumulative of CY Production
1967-68	2900	2900
1968-69	24200	27100
1969-70	3400	30500
1970-71	3100	33600
1971-72	0	33600
1972-73	5400	39000
1973-74		39000
1974-75	0	39000
1975-76	0	39000

DEBRIS BASIN - YEARLY DEBRIS PRODUCTION SUMMARY

BRIDGEWATER

Season	CY Production	Cumulative of CY Production
1986-87		
1987-88		

DEBRIS BASIN - YEARLY DEBRIS PRODUCTION SUMMARY**CALLE ROBLEDA**

Season	CY Production	Cumulative of CY Production
1982-83		1100
1983-84	900	2000
1984-85	25	2025
1985-86	0	2025
1986-87	0	2025
1987-88	57	2082

DEBRIS BASIN - YEARLY DEBRIS PRODUCTION SUMMARY**CERDAWOOD**

Season	CY Production	Cumulative of CY Production
1982-83		0
1983-84		NEG.
1984-85		NEG.
1985-86		0
1986-87		0
1987-88		0
1988-89		
1989-90		

DEBRIS BASIN - YEARLY DEBRIS PRODUCTION SUMMARY**COPPER HILL**

Season	CY Production	Cumulative of CY Production
1981-82		1100
1982-83	0	1100
1983-84	0	1100
1984-85	0	1100
1985-86	48	1148
1986-87	0	1148
1987-88	0	1148

DEBRIS BASIN - YEARLY DEBRIS PRODUCTION SUMMARY**CORONEL**

Season	CY Production	Cumulative of CY Production
1982-83		0

DEBRIS BASIN - YEARLY DEBRIS PRODUCTION SUMMARY**DARROW**

Season	CY Production	Cumulative of CY Production
1981-82		0
1982-83		400
1983-84	0	400
1984-85	0	400
1985-86	12	412
1986-87	0	412
1987-88	0	412

DEBRIS BASIN - YEARLY DEBRIS PRODUCTION SUMMARY**FLORAL LOWER**

Season	CY Production	Cumulative of CY Production
1953-54		
1954-55	Negligible	
1955-56	Negligible	
1956-57	Negligible	
1957-58	Negligible	
1958-59	Negligible	
1959-60	Due to street constructed	
1960-61	Due to street constructed	

DEBRIS BASIN - YEARLY DEBRIS PRODUCTION SUMMARY
--

FLORAL UPPER

Season	CY Production	Cumulative of CY Production
1953-54		
1954-55	200	200
1955-56		200
1956-57	700	900
1957-58	450	1350
1958-59		1350
1959-60		1350
1960-61	68	1418
1961-62	837	2255
1962-63		2255
1963-64		2255
1964-65		2255
1965-66		2255
1966-67		2255
1967-68		2255
1968-69		2255
1969-70		2255
1970-71		2255
1971-72		2255
1972-73		2255
1973-74		2255
1974-75		2255
1975-76		2255
1976-77		2255
1977-78		2255
1978-79		2255
1979-80	11718	13973
1980-81	246	14219
1981-82	142	14361
1982-83	165	14526
1983-84	46	14572
1984-85		14572
1985-86		14572
1986-87		14572
1987-88		14572

DEBRIS BASIN - YEARLY DEBRIS PRODUCTION SUMMARY**FLOWERPARK**

Season	CY Production	Cumulative of CY Production
1981-82		5000
1982-83	-3700	1300
1983-84	0	1300
1984-85	0	1300
1985-86	5	1305
1986-87	0	1305
1987-88	0	1305

DEBRIS BASIN - YEARLY DEBRIS PRODUCTION SUMMARY**FOXLANE**

Season	CY Production	Cumulative of CY Production
1982-83		0
1983-84		700
1984-85	0	700
1985-86	19	719
1986-87	0	719
1987-88	0	719

DEBRIS BASIN - YEARLY DEBRIS PRODUCTION SUMMARY
--

HAINES

Season	CY Production	Cumulative of CY Production
1937-38	51505	51505
1938-39	0	51505
1939-40	11425	62930
1940-41	12554	75484
1941-42		75484
1942-43	20800	96284
1943-44	8847	105131
1944-45	6399	111530
1945-46		111530
1946-47	922	112452
1947-48		112452
1948-49		112452
1949-50		112452
1950-51		112452
1951-52	6164	118616
1952-53		118616
1953-54	3620	122236
1954-55		122236
1955-56		122236
1956-57		122236
1957-58	1187	123423
1958-59	56	123479
1959-60		123479
1960-61		123479
1961-62	1755	125234
1962-63		125234
1963-64		125234
1964-65		125234
1965-66	577	125811
1966-67		125811
1967-68	15396	141207
1968-69	31695	172902
1969-70	0	172902
1970-71	0	172902
1971-72	0	172902
1972-73	0	172902
1973-74	0	172902
1974-75	0	172902
1975-76	7676	180578
1976-77	7381	187959
1977-78	0	187959
1978-79	0	187959
1979-80	16800	204759
1980-81	0	204759
1981-82	0	204759

DEBRIS BASIN - YEARLY DEBRIS PRODUCTION SUMMARY**HALL-BECKLEY**

Season	CY Production	Cumulative of CY Production
1937-38		159700
1938-39	0	159700
1939-40	10000	169700
1940-41	12200	181900
1941-42	850	182750
1942-43	48300	231050
1943-44	8300	239350

DEBRIS BASIN - YEARLY DEBRIS PRODUCTION SUMMARY
--

HAVEN WAY

Season	CY Production	Cumulative of CY Production
1970-71		
1971-72	N	N
1972-73	N	N
1973-74		
1974-75		
1975-76		NEG.
1976-77	279	279
1977-78	932	1211
1978-79	0	1211
1979-80	0	1211
1980-81	11823	13034
1981-82	1238	14272
1982-83	1078	15350
1983-84	0	15350
1984-85	0	15350
1985-86	0	15350
1986-87	0	15350
1987-88	0	15350
1988-89	0	15350
1989-90	0	15350
1990-91	0	15350
1991-92	0	15350
1992-93	0	15350
1993-94	0	15350
1994-95	0	15350
1995-96	0	15350

DEBRIS BASIN - YEARLY DEBRIS PRODUCTION SUMMARY**JASMINE**

Season	CY Production	Cumulative of CY Production
1981-82		1500
1982-83	1000	2500
1983-84	0	2500
1984-85	0	2500
1985-86	47	2547
1986-87	94	2641
1987-88	0	2641

DEBRIS BASIN - YEARLY DEBRIS PRODUCTION SUMMARY**LA SALLE**

Season	CY Production	Cumulative of CY Production
1981-82		0
1982-83	1200	1200
1983-84	0	1200
1984-85	0	1200
1985-86	254	1454
1986-87	0	1454
1987-88	0	1454

DEBRIS BASIN - YEARLY DEBRIS PRODUCTION SUMMARY**LAS VIRGENES**

Season	CY Production	Cumulative of CY Production
1987-88		

DEBRIS BASIN - YEARLY DEBRIS PRODUCTION SUMMARY**LAUREL RIDGE**

Season	CY Production	Cumulative of CY Production
1977-78		200
1978-79	0	200
1979-80	100	300
1980-81	100	400
1981-82	0	400
1982-83	0	400
1983-84	0	400
1984-85	0	400
1985-86	597	997
1986-87	0	997
1987-88	0	997

DEBRIS BASIN - YEARLY DEBRIS PRODUCTION SUMMARY**LOWER BIG DALTON**

Season	CY Production	Cumulative of CY Production
1951-52	Indetermine	
1952-53	Negligible	
1953-54	Negligible	
1954-55	Negligible	
1955-56	Negligible	
1956-57	Negligible	
1957-58	Negligible	
1958-59	Negligible	
1959-60	Negligible	
1960-61	1554	

DEBRIS BASIN - YEARLY DEBRIS PRODUCTION SUMMARY**MCCLURE**

Season	CY Production	Cumulative of CY Production
1953-54	N	
1954-55		
1955-56	12090	12090
1956-57	3700	15790
1957-58	3160	18950
1958-59	19560	38510
1959-60		38510
1960-61		38510
1961-62	2043	40553
1962-63	354	40907
1963-64		40907
1964-65	29612	70519
1965-66	3311	73830
1966-67	2900	76730
1967-68	0	76730
1968-69	3100	79830
1969-70		79830

DEBRIS BASIN - YEARLY DEBRIS PRODUCTION SUMMARY**MEANDERING CREEK**

Season	CY Production	Cumulative of CY Production
1982-83	1700	1700
1983-84	0	1700
1984-85	0	1700
1985-86	0	1700
1986-87	0	1700
1987-88	0	1700

DEBRIS BASIN - YEARLY DEBRIS PRODUCTION SUMMARY**NADAL**

Season	CY Production	Cumulative of CY Production
1981-82	500	500
1982-83	0	500
1983-84	0	500
1984-85	0	500
1985-86	0	500
1986-87	0	500
1987-88	0	500

DEBRIS BASIN - YEARLY DEBRIS PRODUCTION SUMMARY**PARADISE**

Season	CY Production	Cumulative of CY Production
1944-45	1830	1830
1945-46	1430	3260
1946-47	1550	4810
1947-48	210	5020
1948-49	160	5180
1949-50		5180
1950-51		5180
1951-52		5180
1952-53		5180
1953-54		5180
1954-55	838	6018
1955-56	2690	8708
1956-57	1100	9808
1957-58	2250	12058
1958-59	150	12208
1959-60	360	12568
1960-61		12568
1961-62	3642	16210
1962-63	1046	17256
1963-64		17256
1964-65		17256

DEBRIS BASIN - YEARLY DEBRIS PRODUCTION SUMMARY**RIDGEBROOK**

Season	CY Production	Cumulative of CY Production
1986-87		
1987-88		

DEBRIS BASIN - YEARLY DEBRIS PRODUCTION SUMMARY**ROLLING RIDGE**

Season	CY Production	Cumulative of CY Production
1986-87		
1987-88		

DEBRIS BASIN - YEARLY DEBRIS PRODUCTION SUMMARY**RUBY UPPER**

Season	CY Production	Cumulative of CY Production
1953-54	1000	1000
1954-55		1000
1955-56		1000
1956-57	850	1850
1957-58	210	2060
1958-59		2060
1959-60		2060
1960-61		2060
1961-62	1465	3525
1962-63		3525

DEBRIS BASIN - YEARLY DEBRIS PRODUCTION SUMMARY**SNOW DROP**

Season	CY Production	Cumulative of CY Production
1981-82		1100
1982-83	600	1700
1983-84	0	1700
1984-85	0	1700
1985-86	35	1735
1986-87	0	1735
1987-88	0	1735

DEBRIS BASIN - YEARLY DEBRIS PRODUCTION SUMMARY**SPARR**

Season	CY Production	Cumulative of CY Production
1945-46		
1946-47		
1947-48		
1948-49		
1949-50		
1950-51		
1951-52	4934	4934
1952-53		4934
1953-54		4934
1954-55		4934
1955-56	1870	6804
1956-57		6804
1957-58	3030	9834
1958-59		9834
1959-60		9834
1960-61		9834
1961-62	2205	12039
1962-63	912	12951

DEBRIS BASIN - YEARLY DEBRIS PRODUCTION SUMMARY**VALLEY**

Season	CY Production	Cumulative of CY Production
1986-87		
1987-88		
1988-89		200
1989-90	0	200
1990-91	0	200

DEBRIS BASIN - YEARLY DEBRIS PRODUCTION SUMMARY**VANALDEN**

Season	CY Production	Cumulative of CY Production
1944-45		
1945-46	560	560
1946-47	30	590
1947-48		590
1948-49		590
1949-50		590
1950-51		590
1951-52		590
1952-53		590

DEBRIS BASIN - YEARLY DEBRIS PRODUCTION SUMMARY**WARD UPPER**

Season	CY Production	Cumulative of CY Production
1955-56		
1956-57	5050	5050
1957-58	5190	10240
1958-59	2820	13060
1959-60		13060
1960-61	185	13245
1961-62	1623	14868
1962-63	497	15365
1963-64		15365
1964-65		15365
1965-66	681	16046
1966-67	200	16246

DEBRIS BASIN - YEARLY DEBRIS PRODUCTION SUMMARY
--

WILBUR

Season	CY Production	Cumulative of CY Production
1953-54	23440	23440
1954-55		23440
1955-56		23440
1956-57	11570	35010
1957-58	20940	55950
1958-59	310	56260
1959-60	8168	64428
1960-61	5068	69496
1961-62	30888	100384
1962-63	3900	104284
1963-64	5755	110039
1964-65	7452	117491
1965-66	57429	174920
1966-67	36400	211320
1967-68	25300	236620
1968-69	37300	273920
1969-70	9200	283120
1970-71		283120
1971-72		283120
1972-73	8500	291620
1973-74		291620
1974-75	0	291620
1975-76	0	291620

DEBRIS BASIN - YEARLY DEBRIS PRODUCTION SUMMARY**WONDER WAY**

Season	CY Production	Cumulative of CY Production
1981-82		0
1982-83		0
1983-84		NEG.
1984-85		NEG.
1985-86		35
1986-87	0	35
1987-88	0	35

CUSTODIAN:

Unpublished information may be obtained by contacting:

County of Los Angeles
Department of Public Works
Water Resources Division
P.O. Box 1460
Alhambra, CA 91802-1460

...or telephone: (626) 458-6120